



US00D327390S

United States Patent [19]

[11] Patent Number: Des. 327,390

Schlosser et al.

[45] Date of Patent: ** Jun. 30, 1992

[54] BARBECUE GRILL

[75] Inventors: Erich J. Schlosser, Barrington; J. Michael Alden, Palatine, both of Ill.

[73] Assignee: Weber-Stephen Products Co., Palatine, Ill.

[**] Term: 14 Years

[21] Appl. No.: 566,066

[22] Filed: Aug. 10, 1990

[52] U.S. Cl. D7/334

[58] Field of Search D7/332, 334-338, D7/409; 126/25 R, 25 A, 25 AA, 25 B, 29-30, 9 R, 9 B, 38, 37 R, 41 R; 99/419

[56] References Cited

U.S. PATENT DOCUMENTS

D. 185.035	4/1959	Murdoch	D7/334
D. 204.220	5/1969	verHalen .	
D. 214.220	5/1969	Halen	D7/334
D. 215,250	9/1969	McClaren	D7/334
101,177	3/1870	Stevenson et al. .	
1,055,311	3/1913	Blount .	
2,484,239	10/1949	Moon et al. .	
2,780,474	2/1957	Farah et al. .	
2,814,286	11/1957	Arnold .	
2,907,316	10/1959	Windust .	
3,079,854	3/1963	Shepard .	
3,081,692	3/1963	Sorensen .	
3,866,994	2/1975	Bonin .	
3,974,812	8/1976	Storandt .	
4,054,123	10/1977	Corter .	
4,635,613	1/1987	Tucker et al. .	
4,677,964	7/1987	Lohmeyer et al. .	

4,688,541	8/1987	Stephen et al. .	
4,741,322	5/1988	Lin .	
4,763,640	8/1988	Schnack et al. .	
4,829,977	5/1989	Valentine .	
4,926,841	5/1990	Woolf .	
5,016,607	5/1991	Doolittle et al.	126/25 R
5,027,788	7/1991	Schlosser et al.	126/25 R

FOREIGN PATENT DOCUMENTS

902024	6/1972	Canada .
2417964	10/1979	France .

OTHER PUBLICATIONS

Housewares, Aug. 7-13, 1984, p. 10, "Gas Barbecue Brique w/Cart".

Primary Examiner—A. Hugo Word
Assistant Examiner—Ruth McInroy
Attorney, Agent, or Firm—Wallenstein Wagner & Hattis, Ltd.

[57] CLAIM

The ornamental design for a barbecue grill, as shown and described.

DESCRIPTION

FIG. 1 is a top perspective view of a barbecue grill showing our new design;
FIG. 2 is a left side elevational view thereof;
FIG. 3 is a front elevational view thereof;
FIG. 4 is a top plan view thereof;
FIG. 5 is a bottom plan view thereof;
FIG. 6 is a rear elevational view thereof;
FIG. 7 is a right side elevational view thereof; and
FIG. 8 is a top perspective view thereof in an open position.

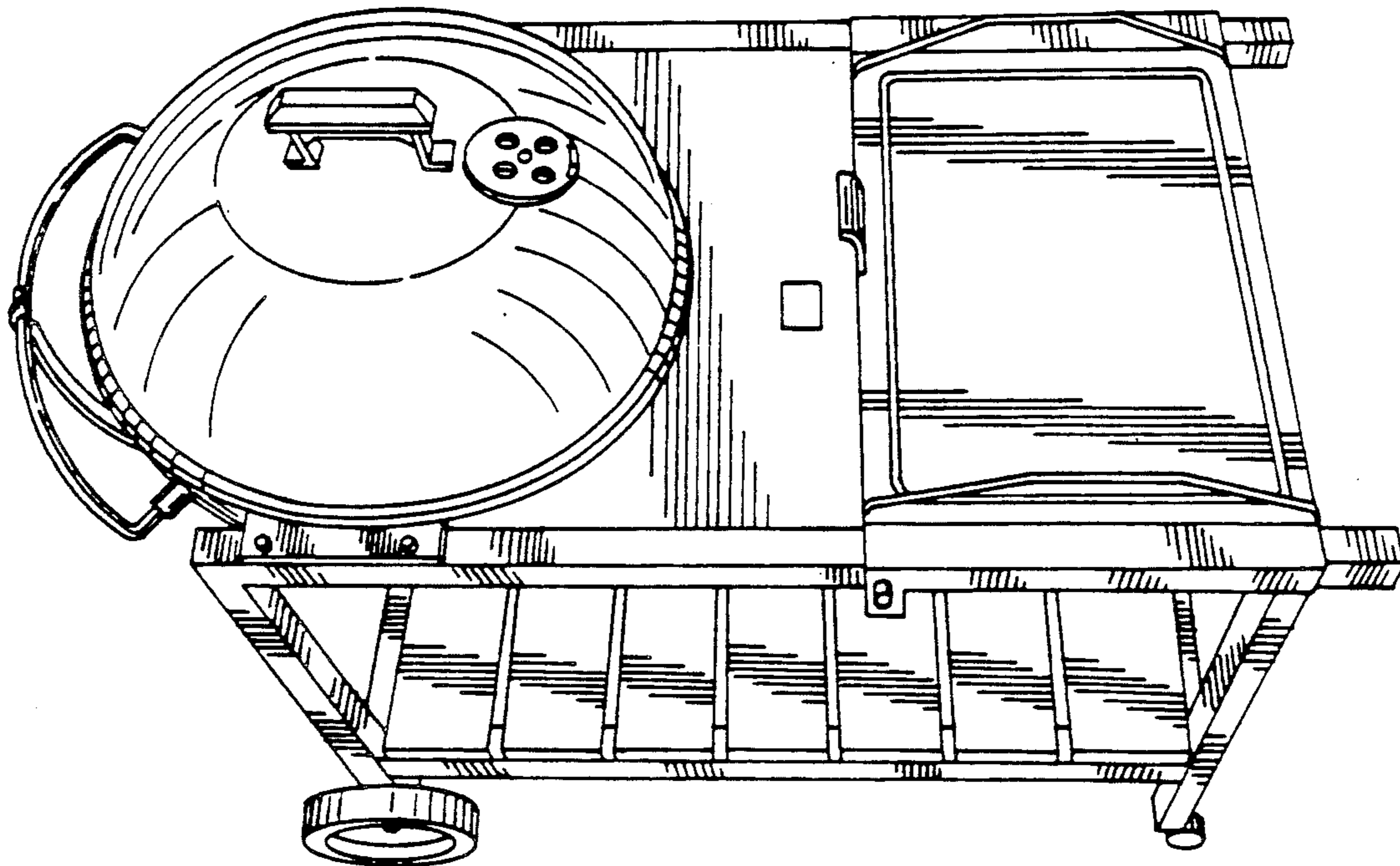


FIG. 1

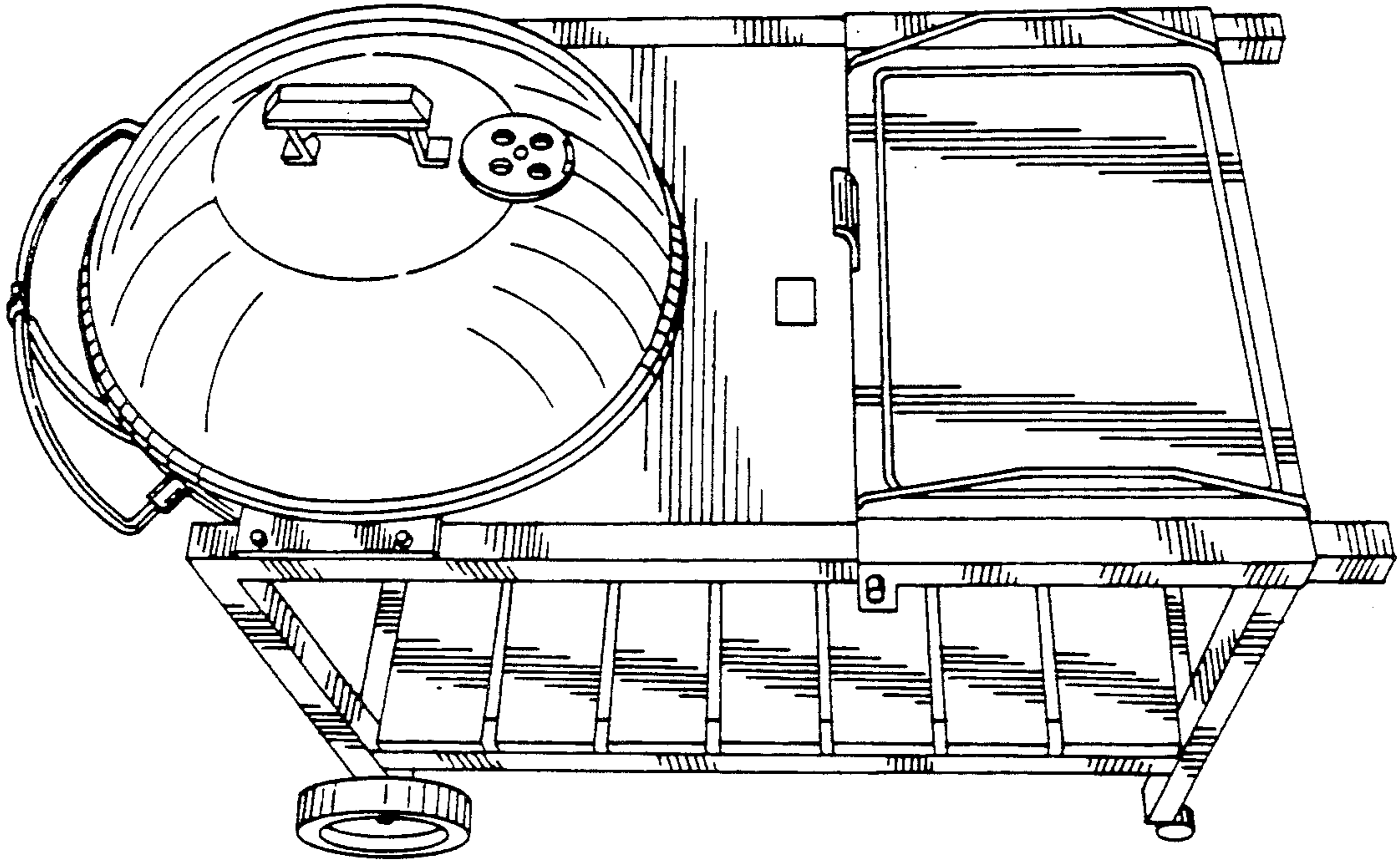


FIG. 2

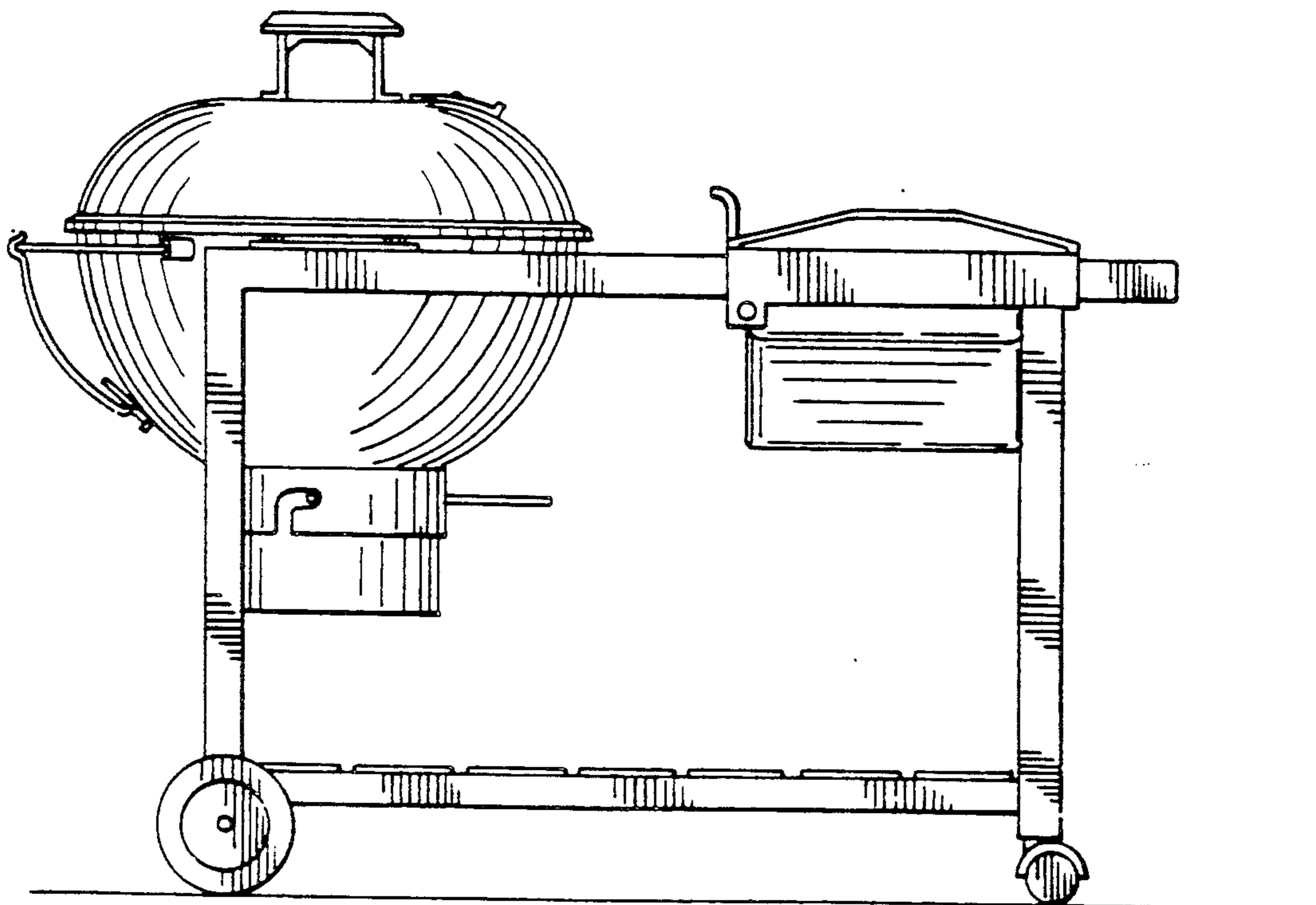


FIG.4

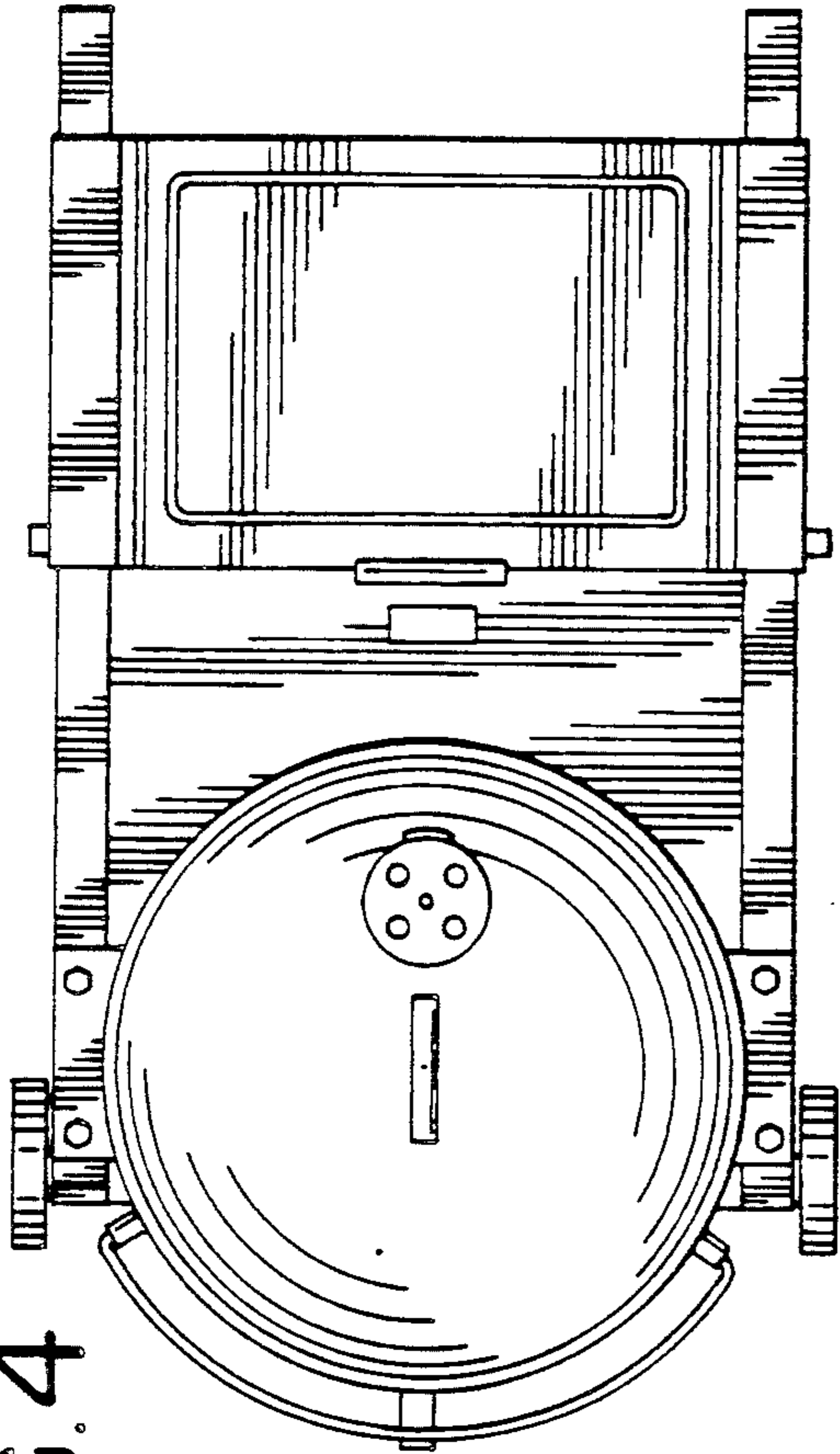


FIG.5

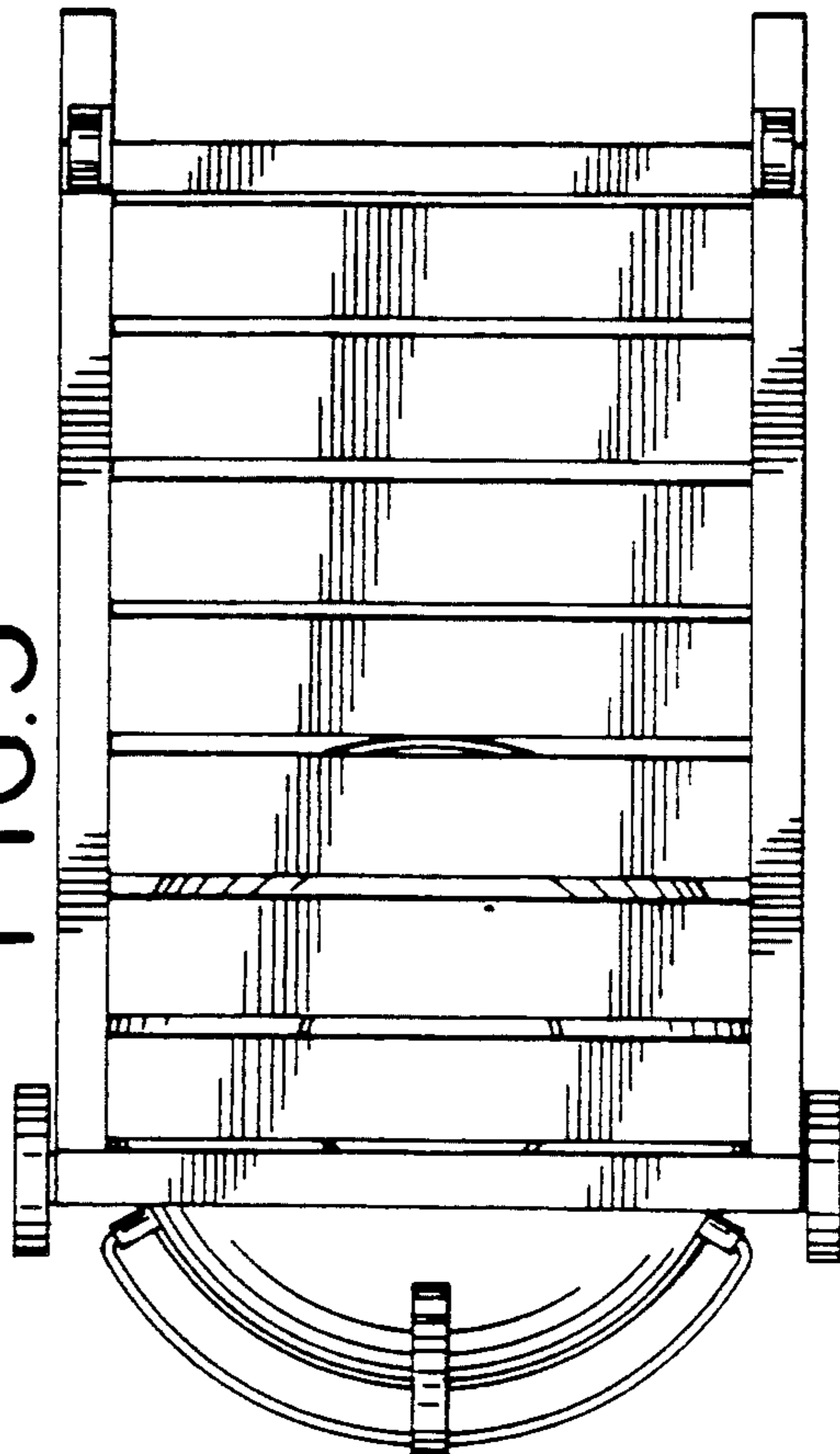


FIG.3

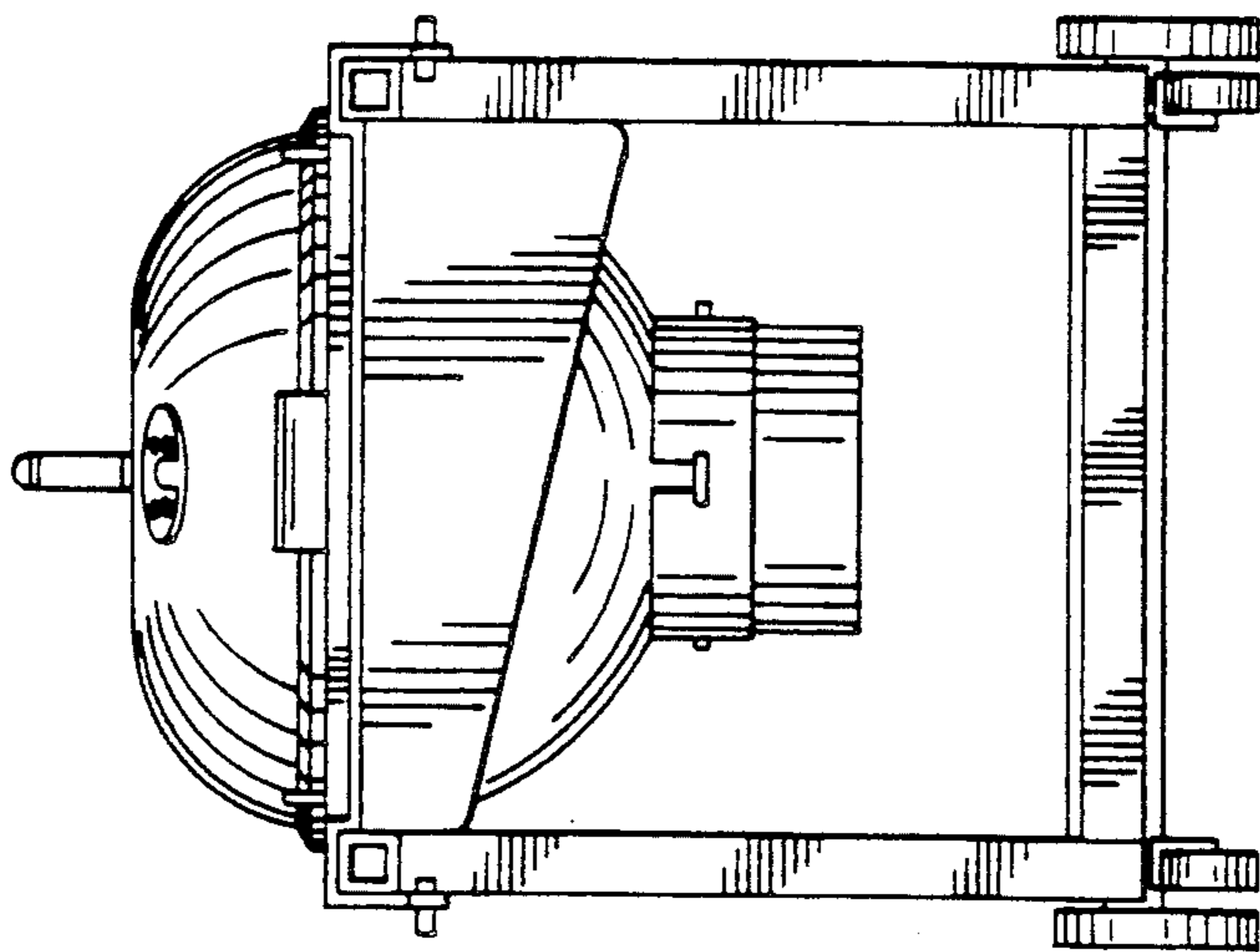


FIG. 7

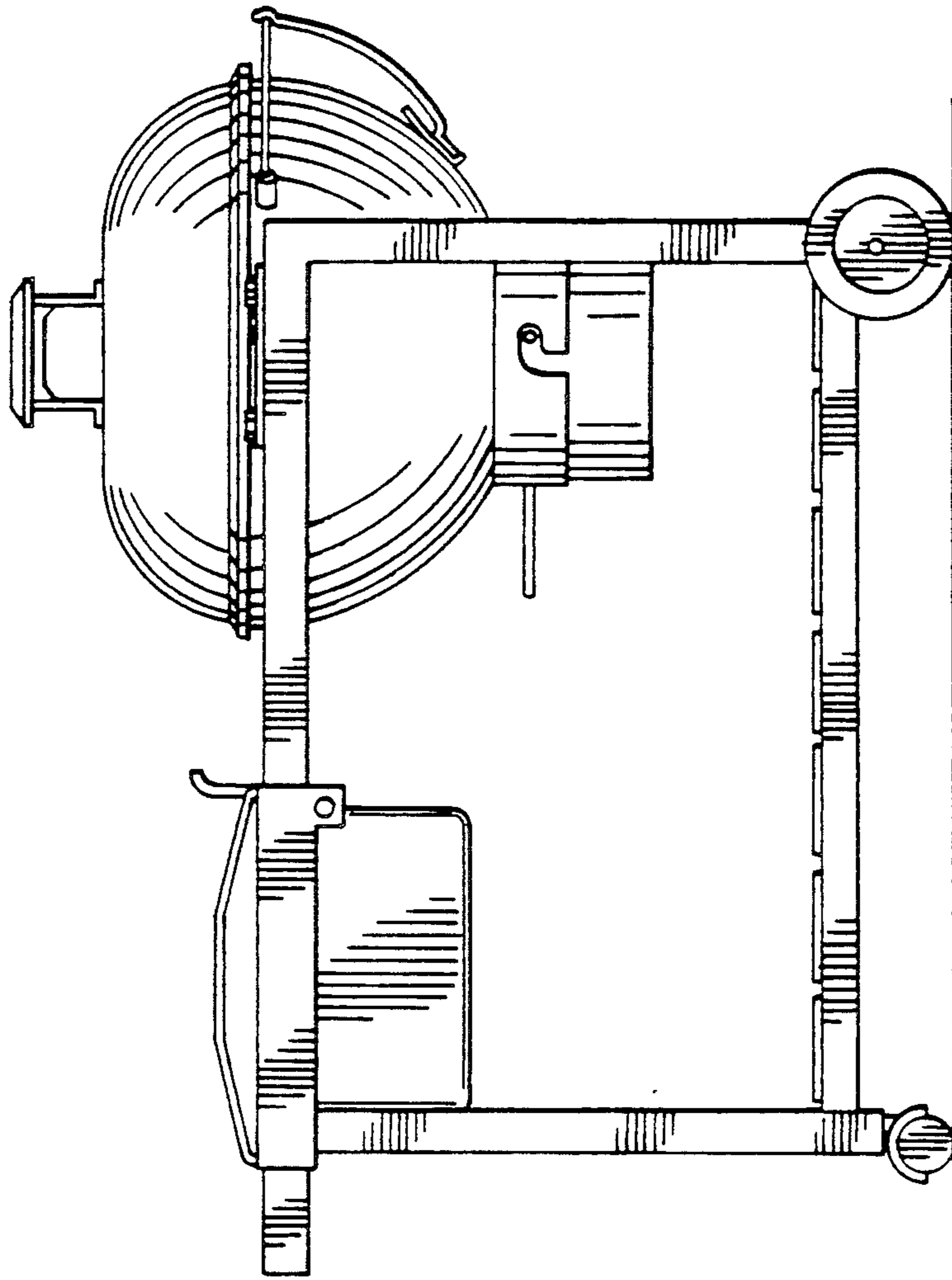


FIG. 6

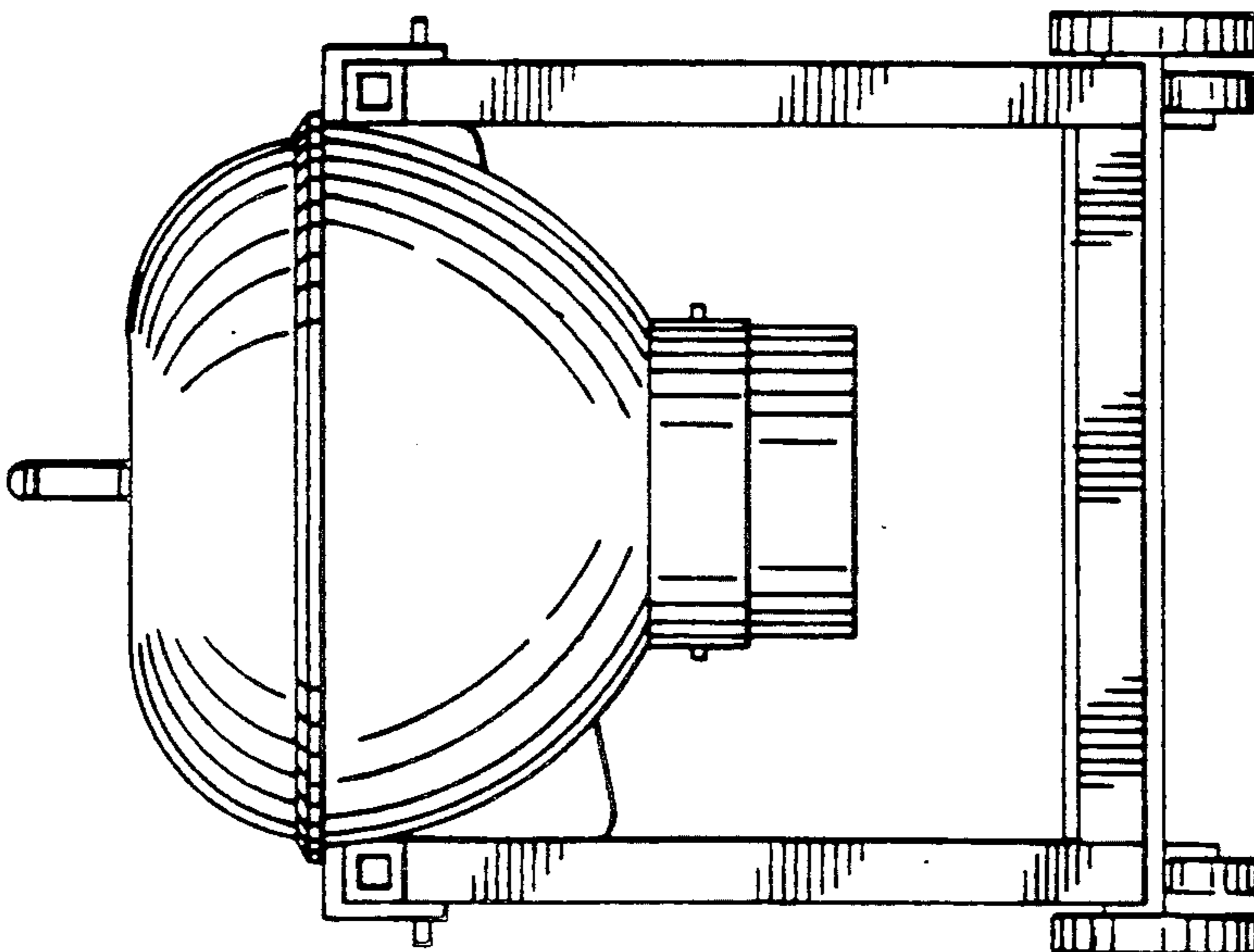


FIG. 8

