



US00D327387S

United States Patent [19]
Hofer

[11] **Patent Number: Des. 327,387**

[45] **Date of Patent: ** Jun. 30, 1992**

[54] **TOOL HOLDER**

[76] **Inventor: Karl Hofer, Emmentalstrasse 77,
3510 Konolfingen, Switzerland**

[**] **Term: 14 Years**

[21] **Appl. No.: 620,936**

[22] **Filed: Dec. 3, 1990**

Related U.S. Application Data

[63] **Continuation-in-part of Ser. No. 484,556, Feb. 26, 1990,
Pat. No. 5,005,710.**

[30] **Foreign Application Priority Data**

Mar. 31, 1989 [CH] Switzerland 1171/89

[52] **U.S. Cl. D6/553; D7/641**

[58] **Field of Search D6/512, 553, 572;
D7/637-641; D8/354, 373; 211/13, 60.1, 70.6,
70.7, 86-87, 89; 248/37.3**

[56] **References Cited**

U.S. PATENT DOCUMENTS

- D. 272,024 1/1984 Basaldua, Jr. D6/553
- D. 296,177 6/1988 Nolen, Sr. et al. D7/637
- 3,580,394 5/1971 Elliot D7/641 X
- 4,294,421 10/1981 Künstlicher et al. 211/70.6
- 4,497,412 2/1985 Labelle 211/89 X
- 4,531,696 7/1985 Bettsworth 248/37.3
- 4,787,582 11/1988 Geleziunas 211/70.7 X

FOREIGN PATENT DOCUMENTS

- 595056 3/1960 Canada D7/641 X

Primary Examiner—Brian N. Vinson

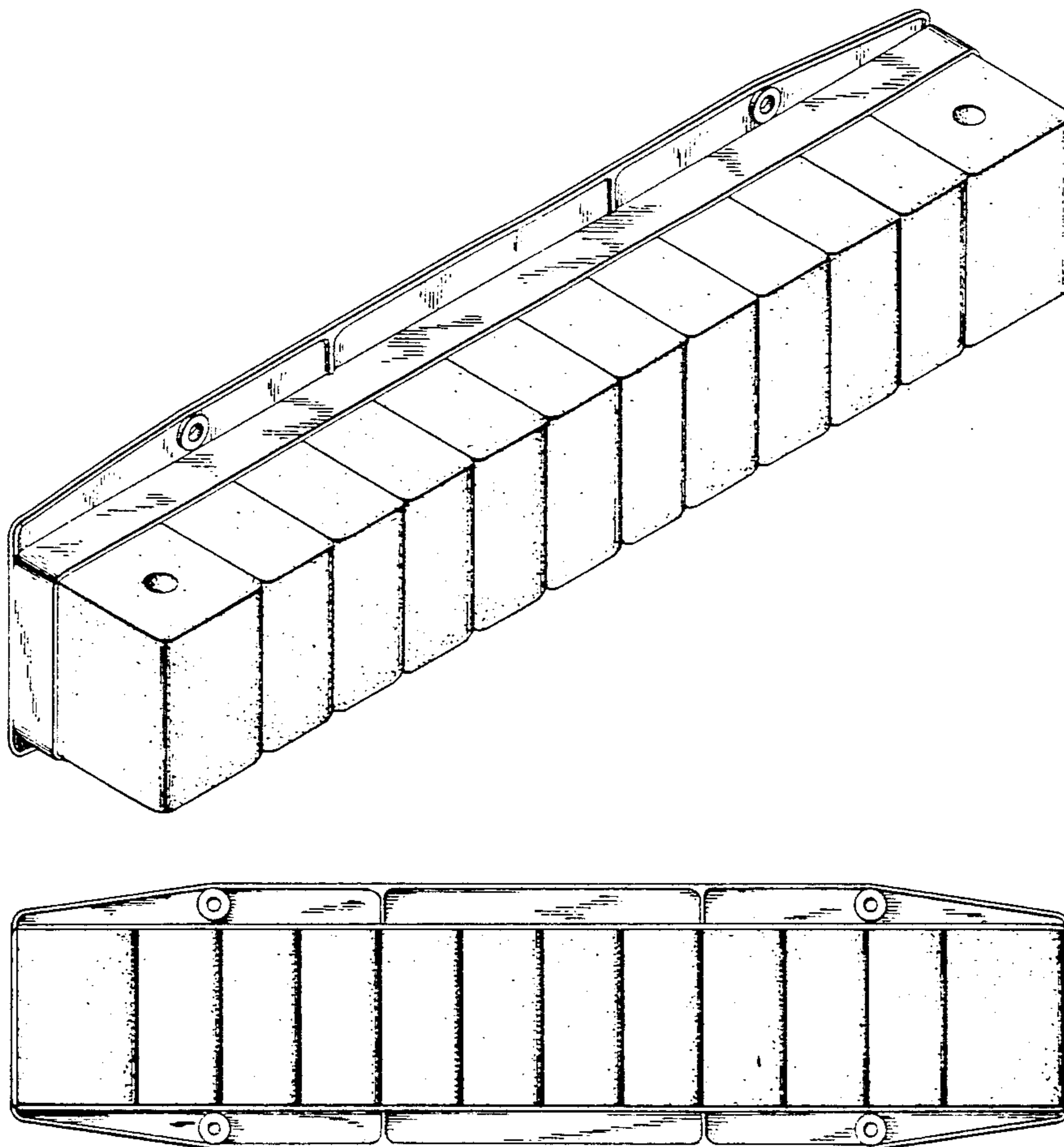
Attorney, Agent, or Firm—Griffin, Branigan & Butler

[57] **CLAIM**

The ornamental design for a tool holder, as shown.

DESCRIPTION

FIG. 1 is a top, front, and left side perspective view of a tool holder showing my new design;
 FIG. 2 is a right side elevational view thereof;
 FIG. 3 is a front elevational view thereof;
 FIG. 4 is a bottom plan view thereof; and,
 FIG. 5 is a rear elevational view thereof.



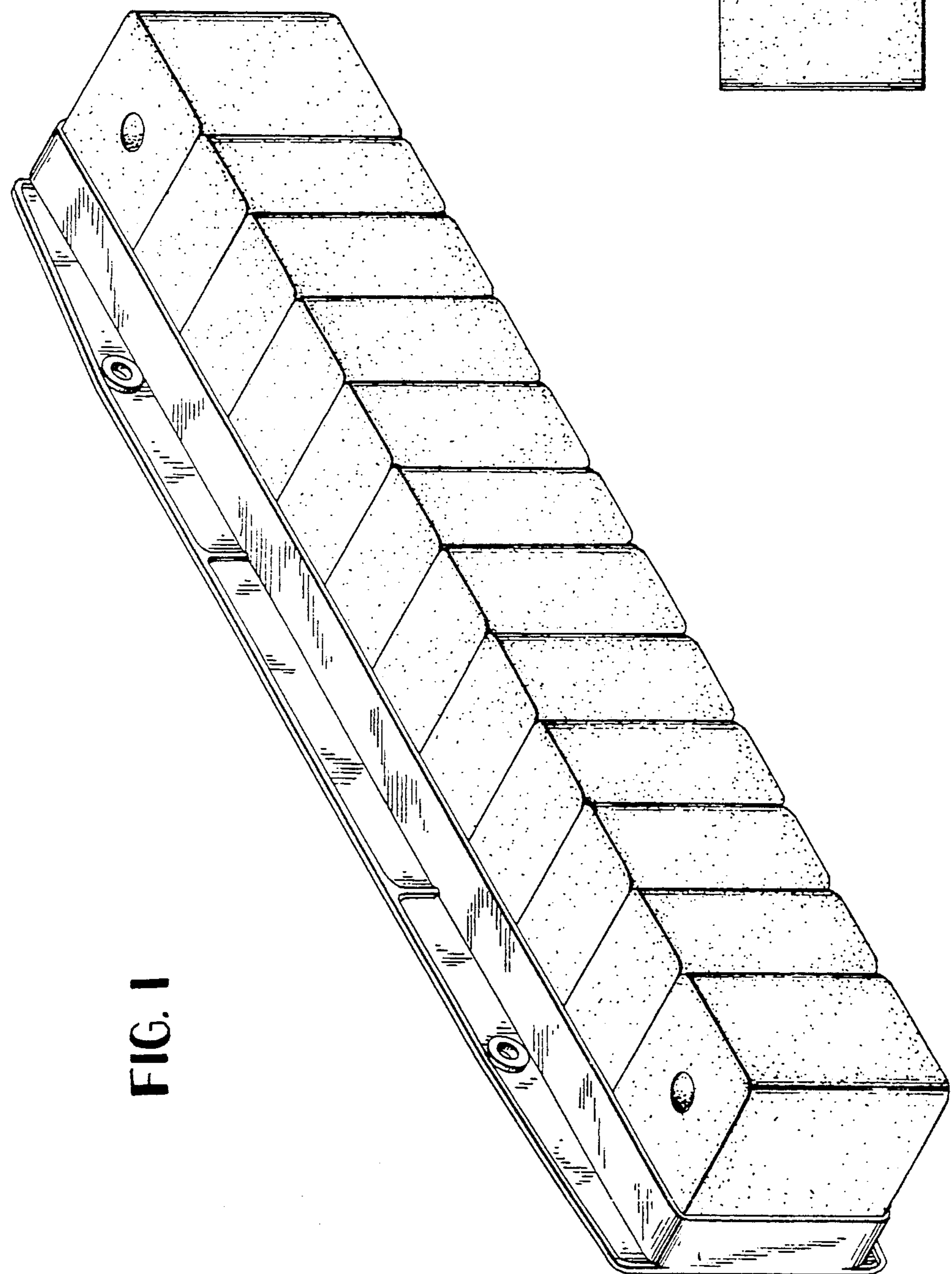


FIG. 1

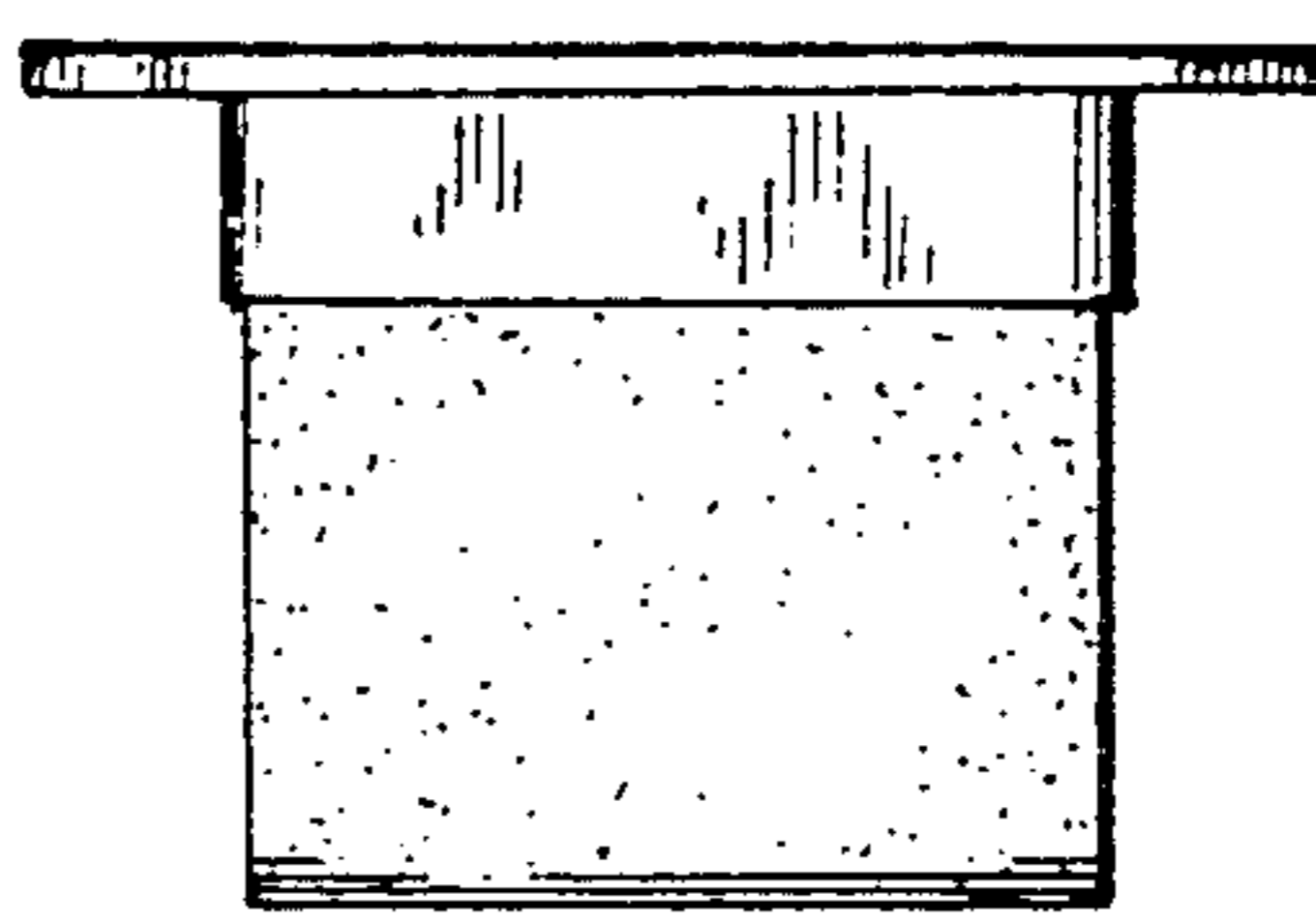


FIG. 2

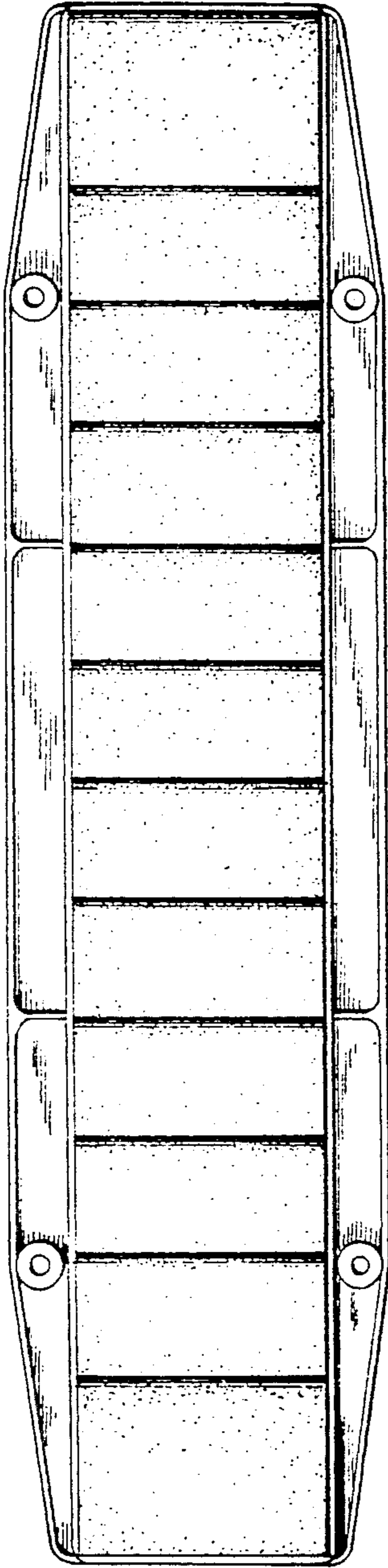


FIG. 3

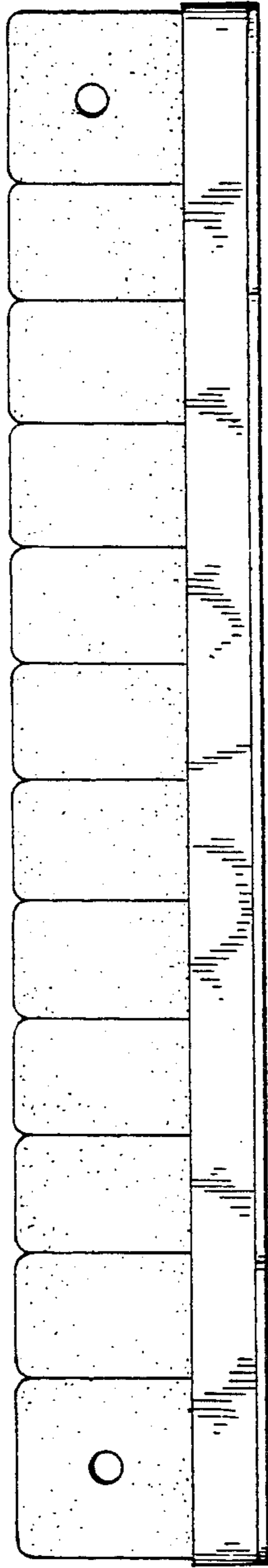


FIG. 4

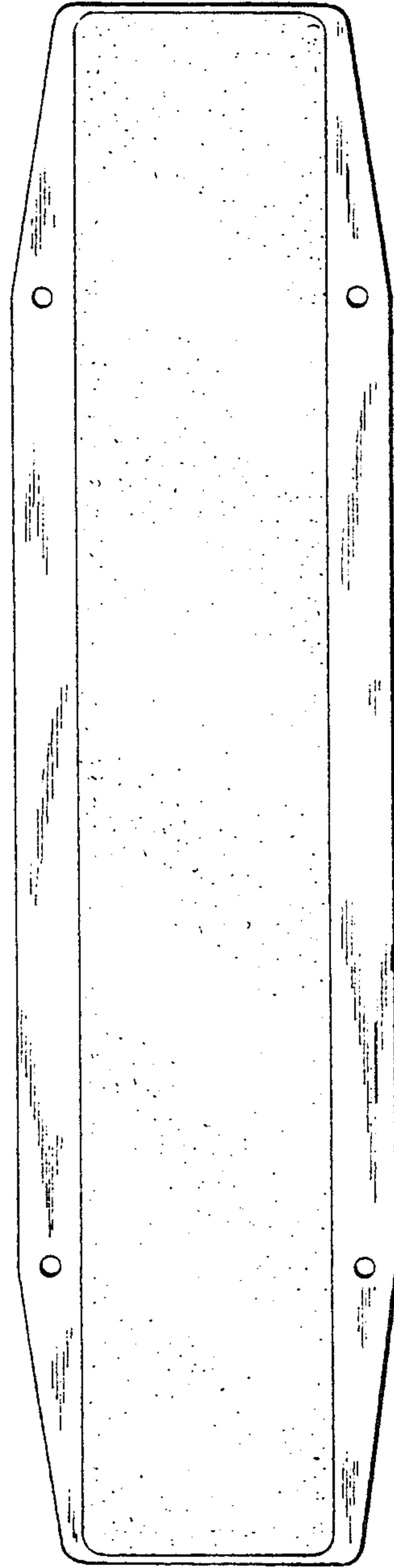


FIG. 5