



US00D327386S

United States Patent [19]

Grosfillex

[11] Patent Number: Des. 327,386

[45] Date of Patent: ** Jun. 30, 1992

[54] TABLE

D. 299,195 1/1989 Frinier D6/480 X

[75] Inventor: Raymond Grosfillex, Oyonnax, France

[73] Assignee: Grosfillex Sarl, Arbent, France

[**] Term: 14 Years

[21] Appl. No.: 421,729

[22] Filed: Oct. 16, 1989

[30] Foreign Application Priority Data

Apr. 17, 1989 [WO] World Int. Prop. O. DM/014248

[52] U.S. Cl. D6/484; D6/487

[58] Field of Search D6/480, 482-484, D6/486, 487, 495, 474, 349, 353; 108/117, 115

[56] References Cited

U.S. PATENT DOCUMENTS

- D. 280,686 9/1985 Kramer et al. D6/487 X
- D. 282,514 2/1986 Garcia et al. D6/480
- D. 287,677 1/1987 Pomeroy et al. D6/480 X

OTHER PUBLICATIONS

Interiors, Nov. 85, p. 50, table at right center.
Brown Jordan Legend, ©1986, table #1874-2546 in center.

Primary Examiner—Carmen H. Vales-Lado
Assistant Examiner—Janice E. Seeger
Attorney, Agent, or Firm—Dowell & Dowell

[57] CLAIM

The ornamental design for a table, as shown and described.

DESCRIPTION

FIG. 1 is a perspective view of a table, showing my new design;
 FIG. 2 is a side elevational view, the opposite side being identical thereto;
 FIG. 3 is an end elevational view, the opposite end being identical thereto;
 FIG. 4 is a top plan view; and,
 FIG. 5 is a bottom plan view.

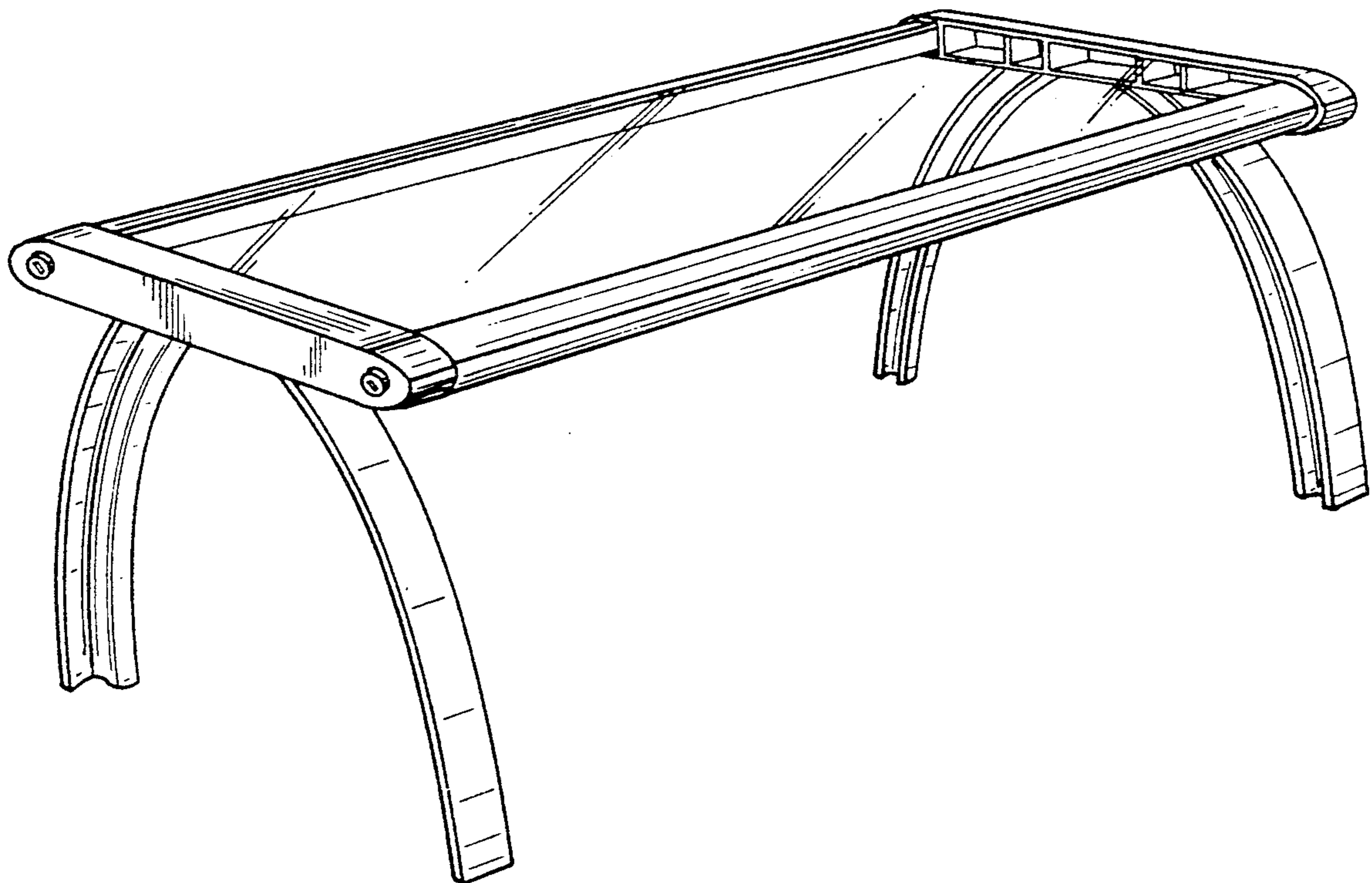


FIG. 1

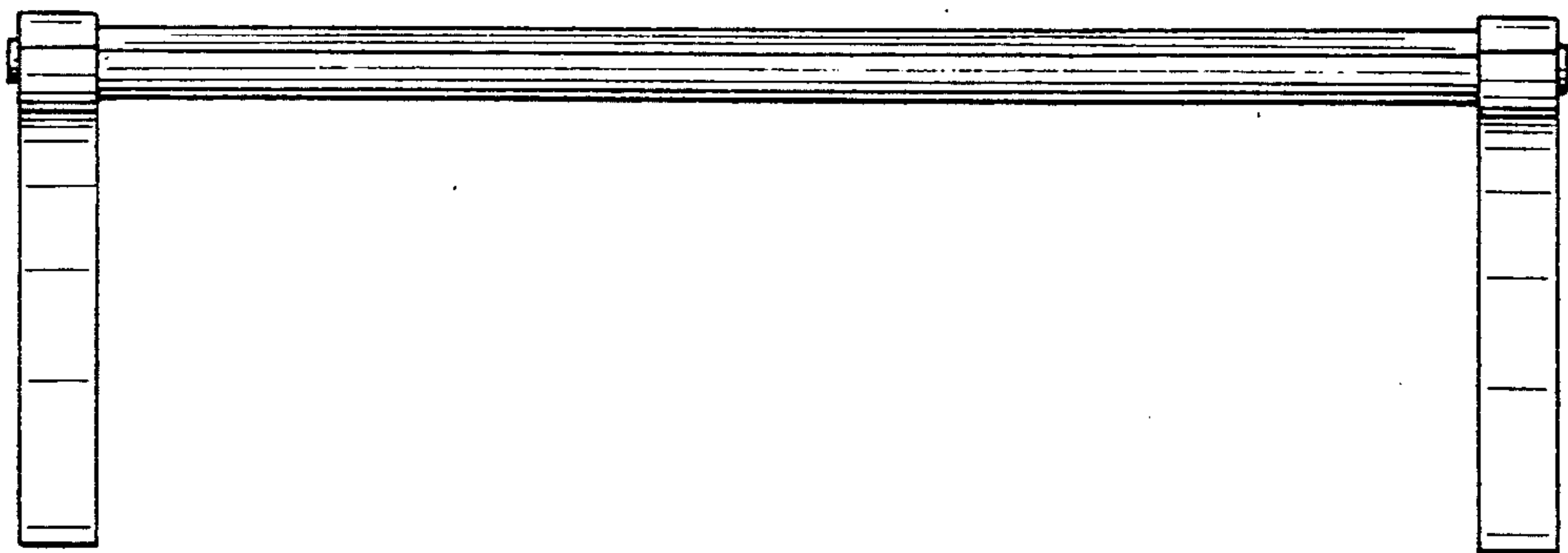
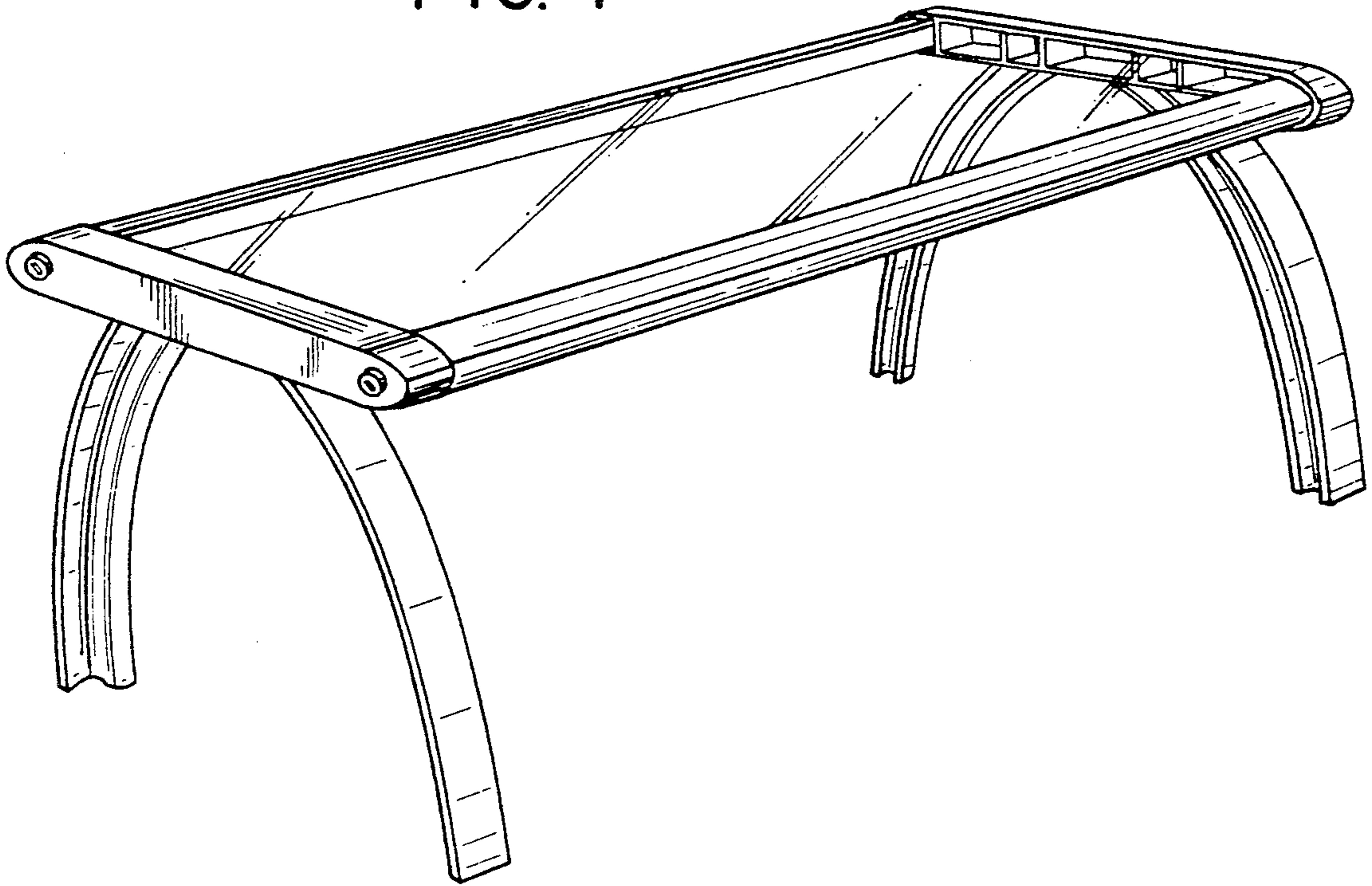


FIG. 2

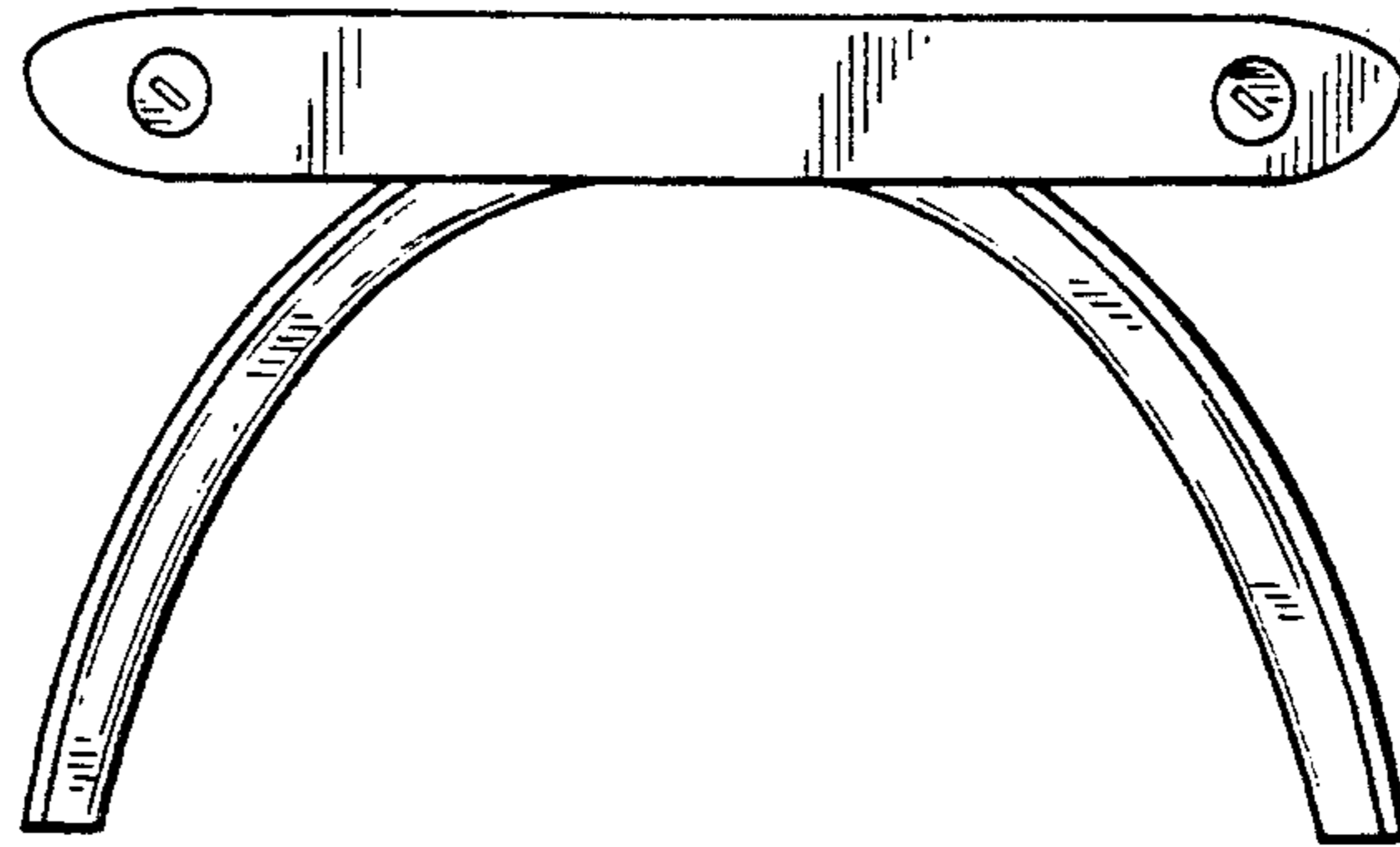


FIG. 3

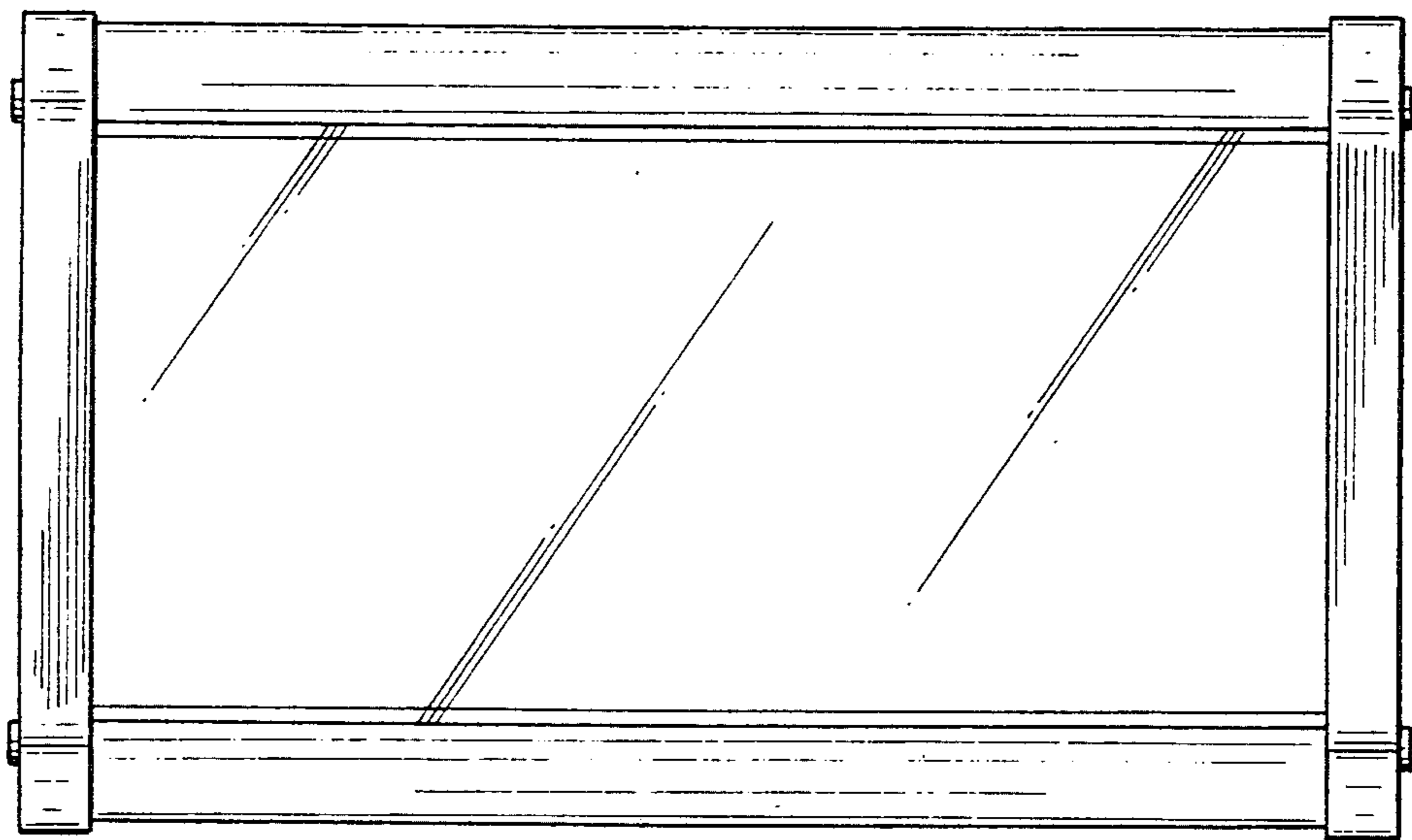


FIG. 4

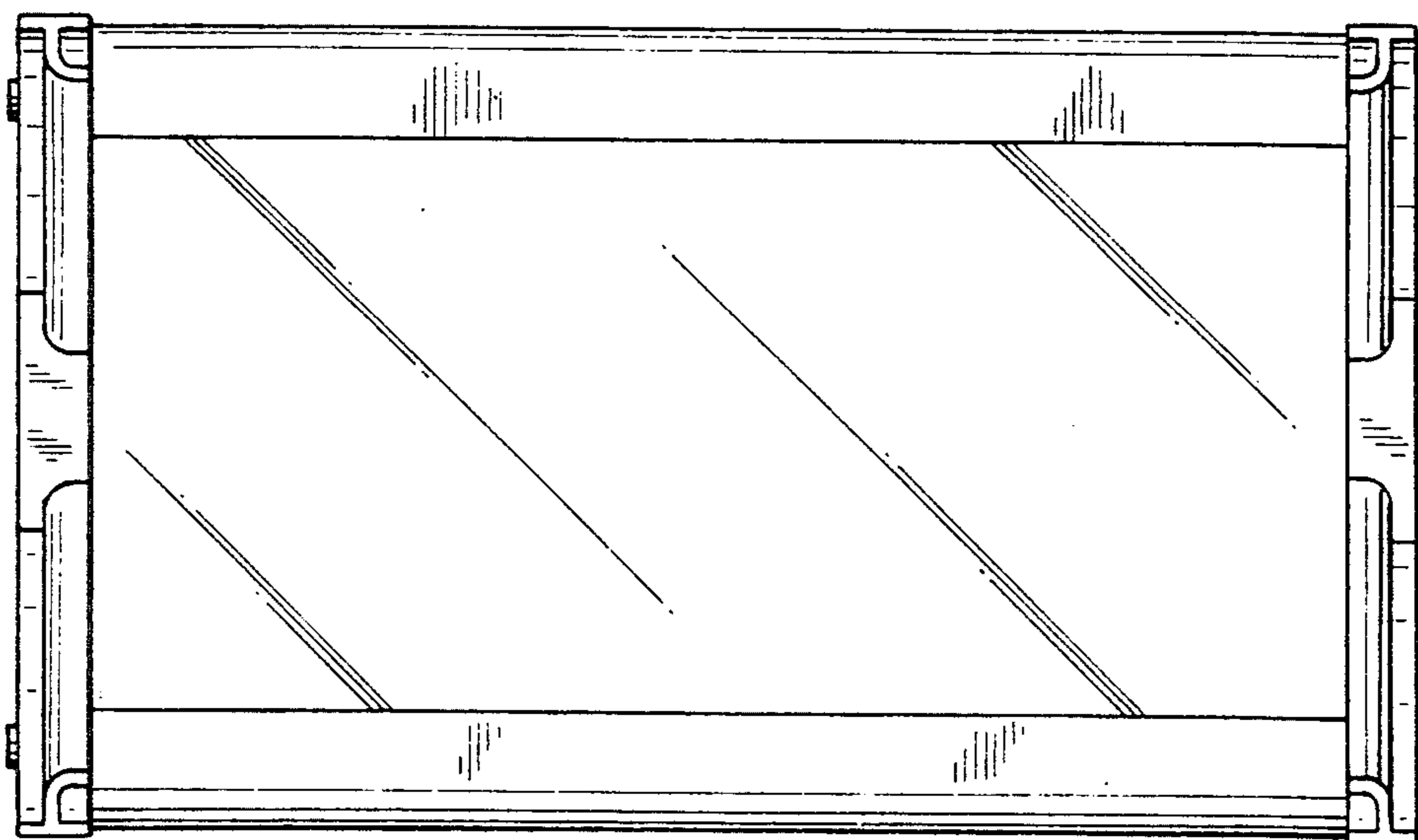


FIG. 5