



US00D327383S

United States Patent [19]

[11] Patent Number: Des. 327,383

Lam

[45] Date of Patent: ** Jun. 30, 1992

[54] COMPUTER STAND OR SIMILAR ARTICLE

4,067,536 1/1978 McBeth 248/316.7
4,328,733 5/1983 Rodgers 248/346 X

[75] Inventor: Tai-Seng Lam, Taipei, Taiwan

[73] Assignee: Flytech Technology Co., Ltd., Taipei, Taiwan

[**] Term: 14 Years

[21] Appl. No.: 453,474

[22] Filed: Dec. 20, 1989

[30] Foreign Application Priority Data

Nov. 23, 1989 [TW] Taiwan 78307729

[52] U.S. Cl. D6/466; D6/449; D6/495; 248/346

[58] Field of Search D6/396, 397, 449, 455, D6/457, 462, 466, 467, 475, 476, 491, 495; D10/128; D18/22, 23; 211/13, 37, 42, 50, 71; 248/309.1, 346, 676, 316.7

[56] References Cited

U.S. PATENT DOCUMENTS

- D. 27,145 6/1897 Marter D6/495
- D. 40,592 3/1910 Shepard D10/128
- D. 223,837 6/1972 Martin D6/397
- D. 253,929 1/1980 Epperson D6/466 X

OTHER PUBLICATIONS

Global Computer Supplies, p. 8, CPU Stand.
Devoke Data Products, p. 20, System Std.
Modern Office Technology, Jun. 1987, rear cover, Universal System Std.
Inmac, p. 14, Vertical CPU Std.

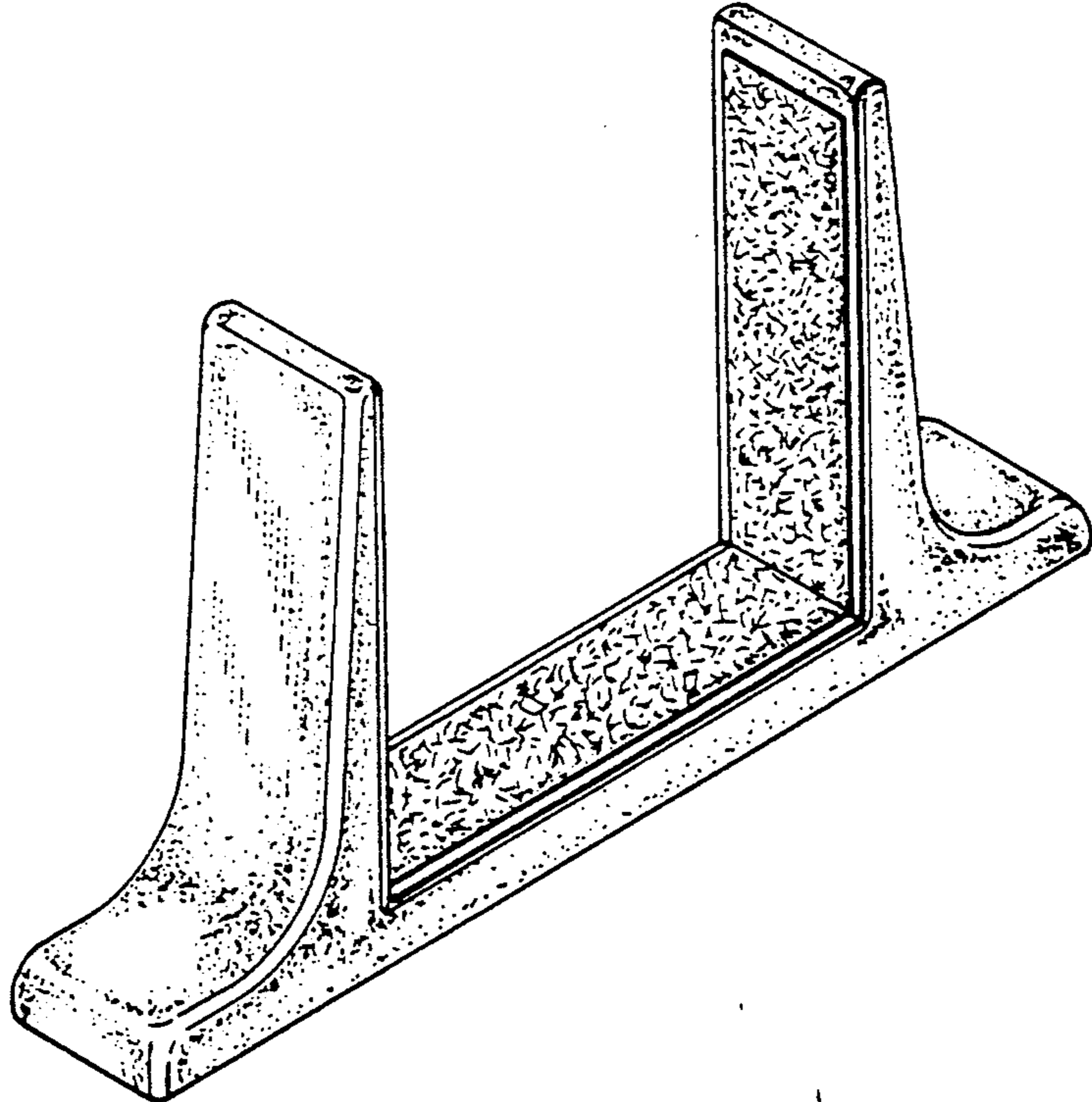
Primary Examiner—Donald P. Walsh
Assistant Examiner—Jeffrey Asch
Attorney, Agent, or Firm—Kenyon & Kenyon

[57] CLAIM

The ornamental design for computer stand or similar article, as shown and described.

DESCRIPTION

FIG. 1 is a perspective view of computer stand or similar article showing my new design;
FIG. 2 is a front elevational view thereof;
FIG. 3 is a rear elevational view thereof;
FIG. 4 is a left side elevational view thereof;
FIG. 5 is a right side elevational view thereof;
FIG. 6 is a top plan view thereof; and,
FIG. 7 is a bottom plan view thereof.



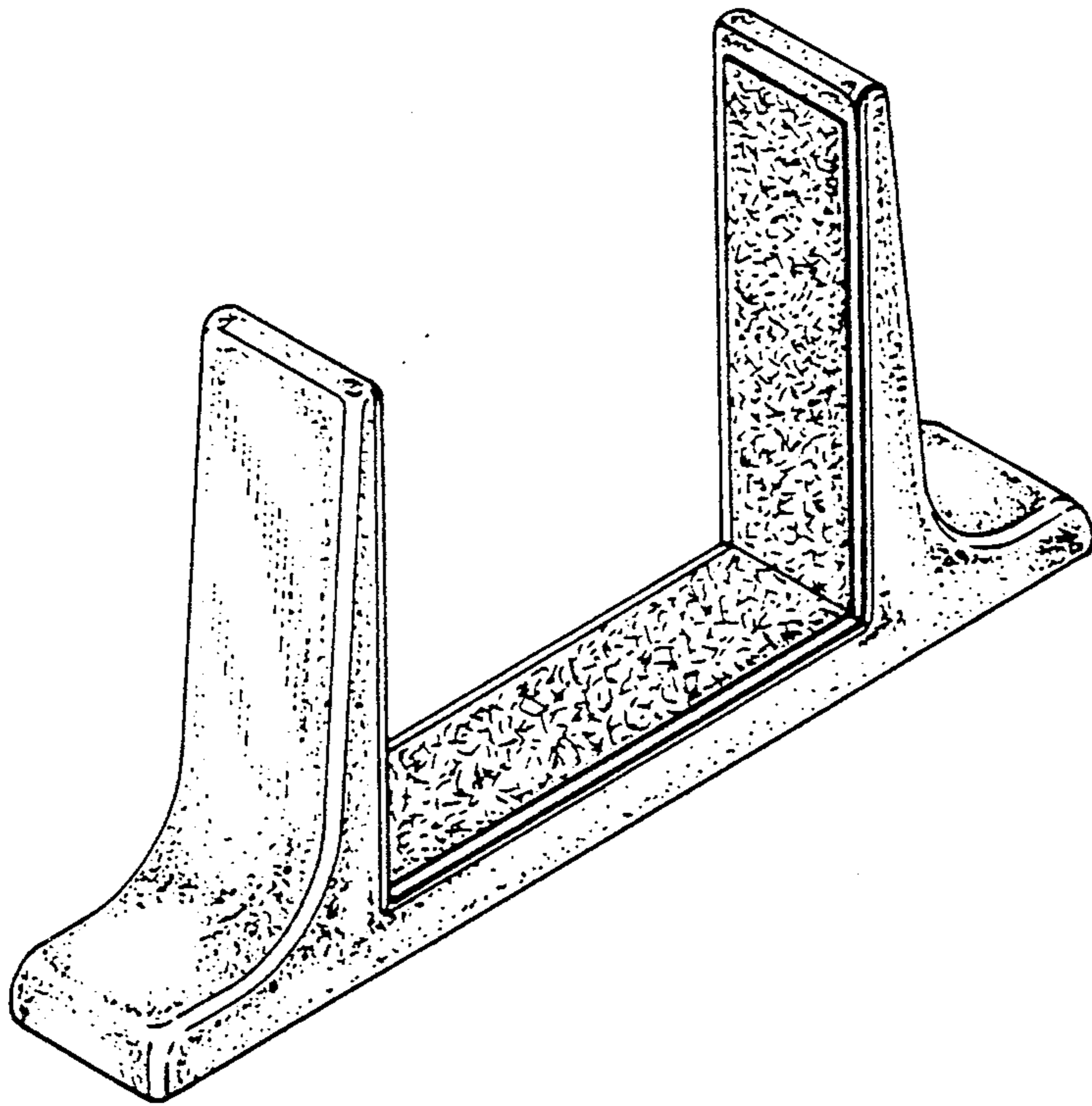


FIG. 1

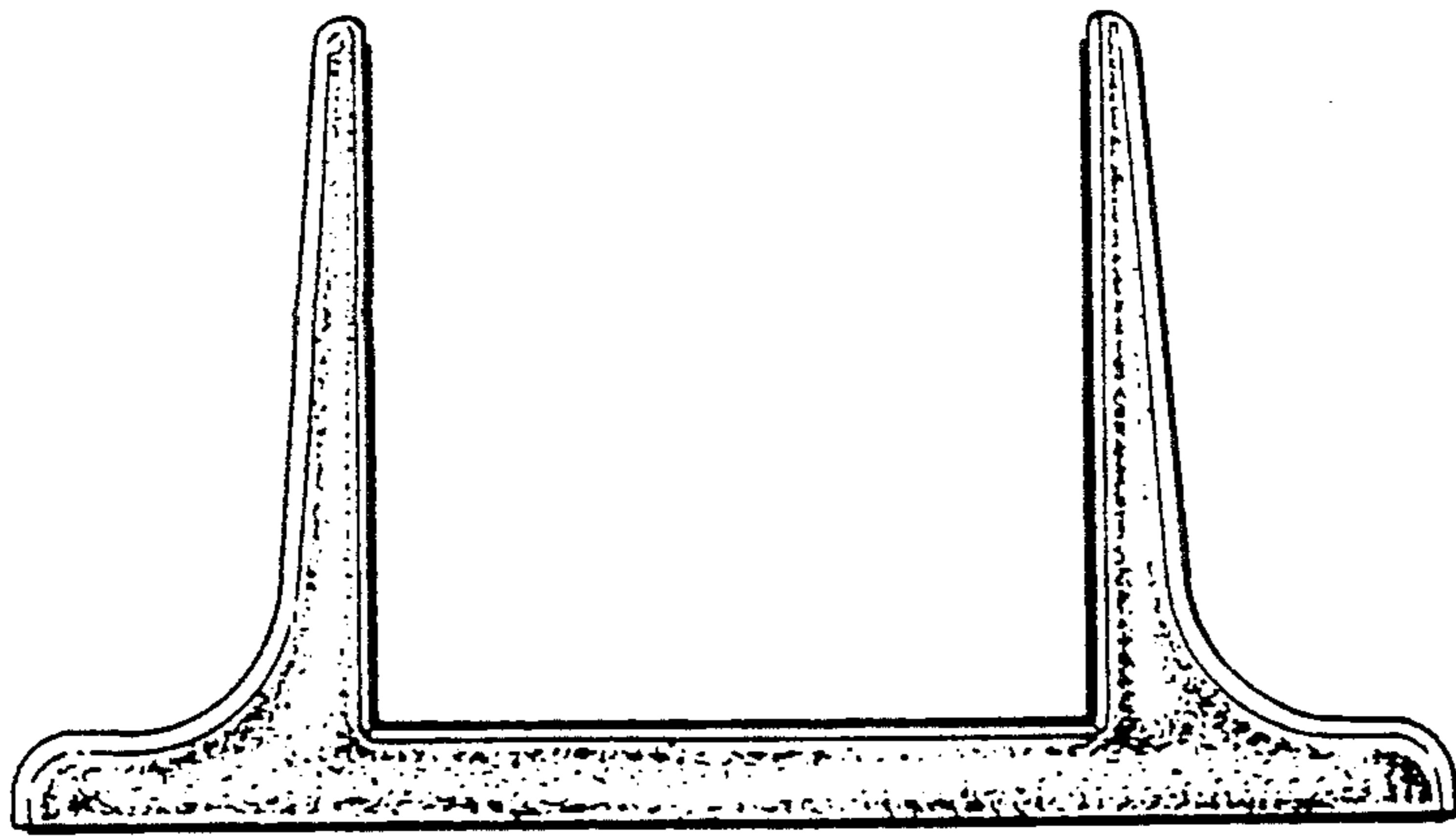


FIG. 2



FIG. 4

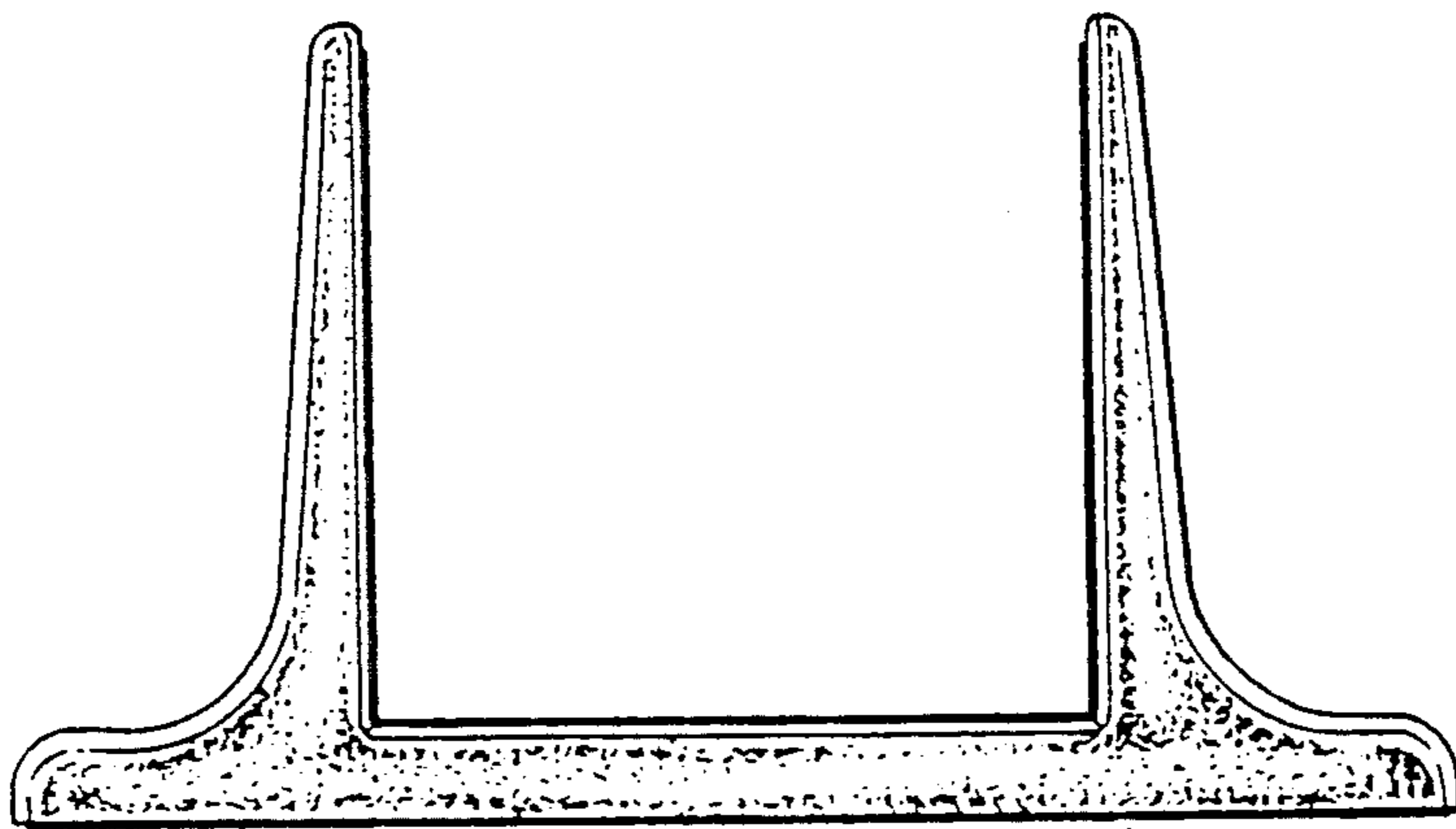


FIG. 3



FIG. 5

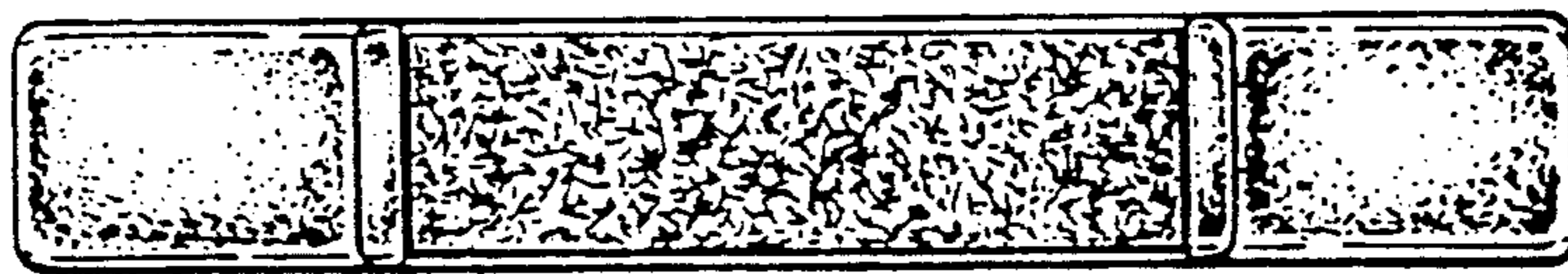


FIG. 6



FIG. 7