



US00D327379S

# United States Patent [19]

Driscoll

[11] Patent Number: **Des. 327,379**

[45] Date of Patent: **\*\* Jun. 30, 1992**

[54] **ADJUSTABLE CLOTHES RACK**

[75] Inventor: **Jeffrey W. Driscoll, Springfield, Mo.**

[73] Assignee: **W. R. Vermillion Co., Inc.,  
Springfield, Mo.**

[\*\*] Term: **14 Years**

[21] Appl. No.: **523,462**

[22] Filed: **May 15, 1990**

[52] U.S. Cl. .... **D6/411**

[58] Field of Search ..... **D6/409-415,  
D6/462, 429, 430, 431, 396, 397; 211/13, 133,  
163, 201, 207, 195, 199, 200**

[56] **References Cited**

### U.S. PATENT DOCUMENTS

D. 143,698 2/1946 Amt ..... **D6/411**

D. 273,741 5/1984 Koves ..... **D6/397**  
D. 273,828 5/1984 Oshry ..... **D6/397**

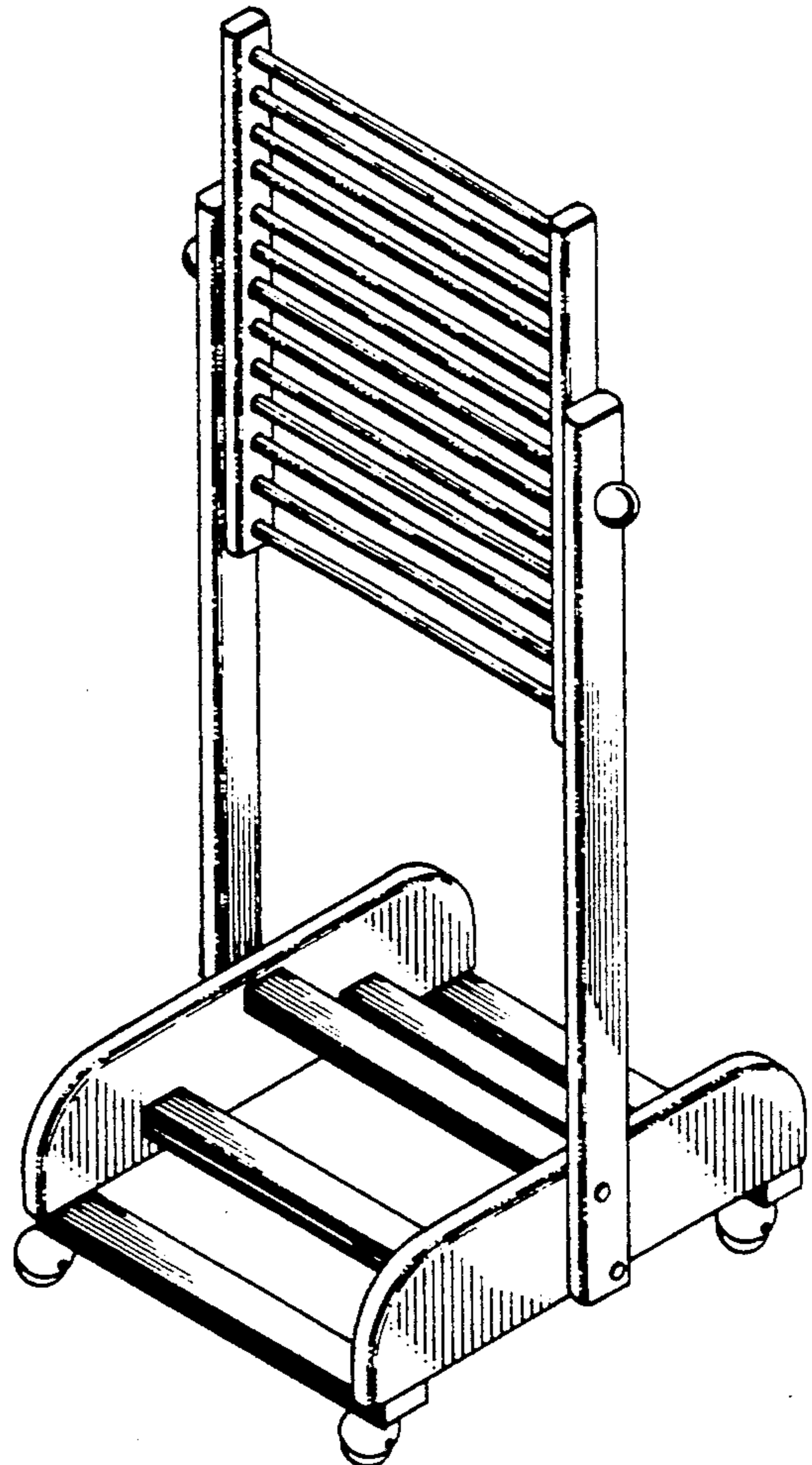
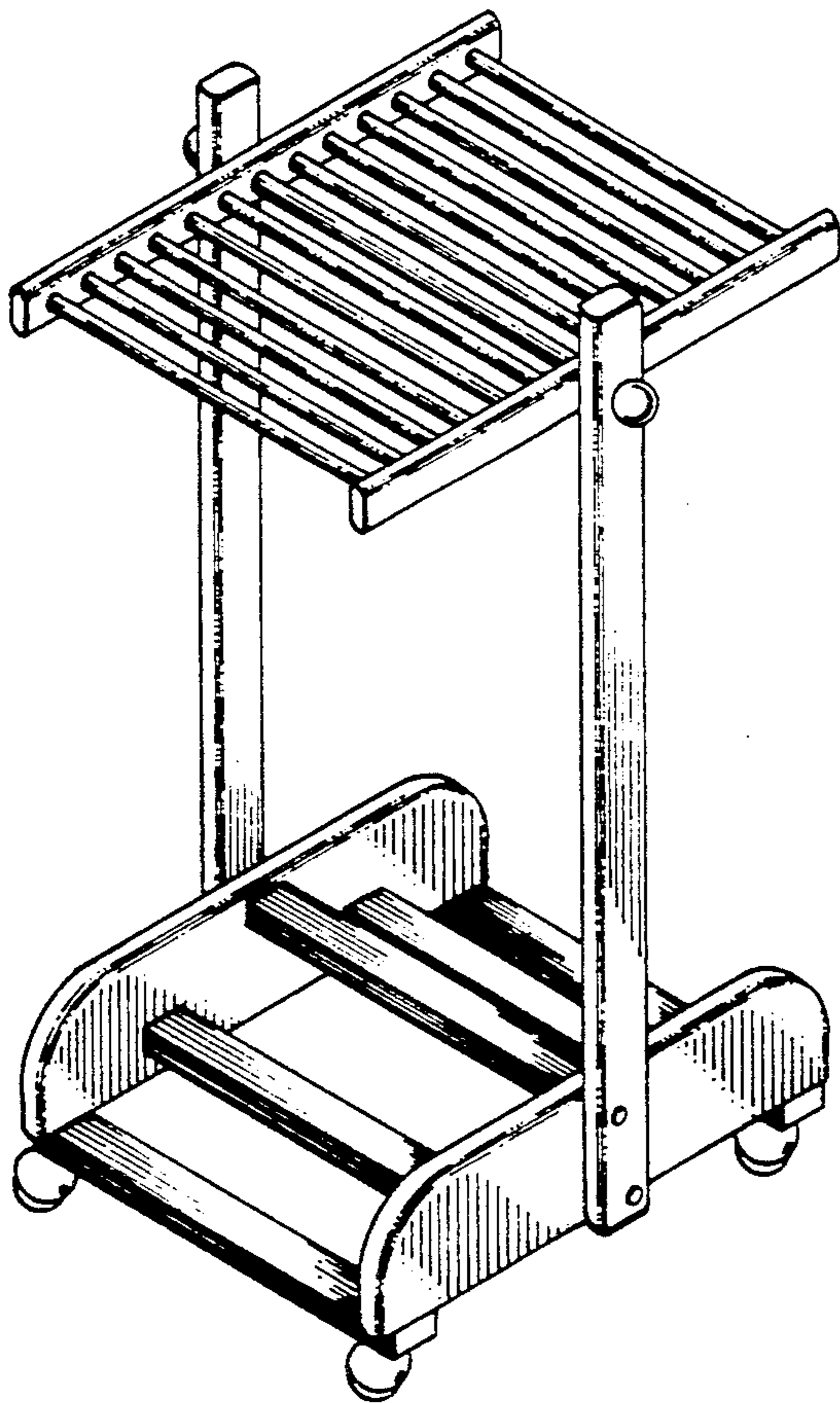
*Primary Examiner*—Carmen H. Vales-Lado  
*Attorney, Agent, or Firm*—Hovey, Williams, Timmons &  
Collins

### [57] CLAIM

The ornamental design for an adjustable clothes rack, as shown and described.

### DESCRIPTION

FIG. 1 is a front elevational view of an adjustable clothes rack showing my new design;  
FIG. 2 is a side elevational view;  
FIG. 3 is a top plan view;  
FIG. 4 is a bottom plan view;  
FIG. 5 is a perspective view in an alternate position of use; and,  
FIG. 6 is a perspective of FIG. 1.



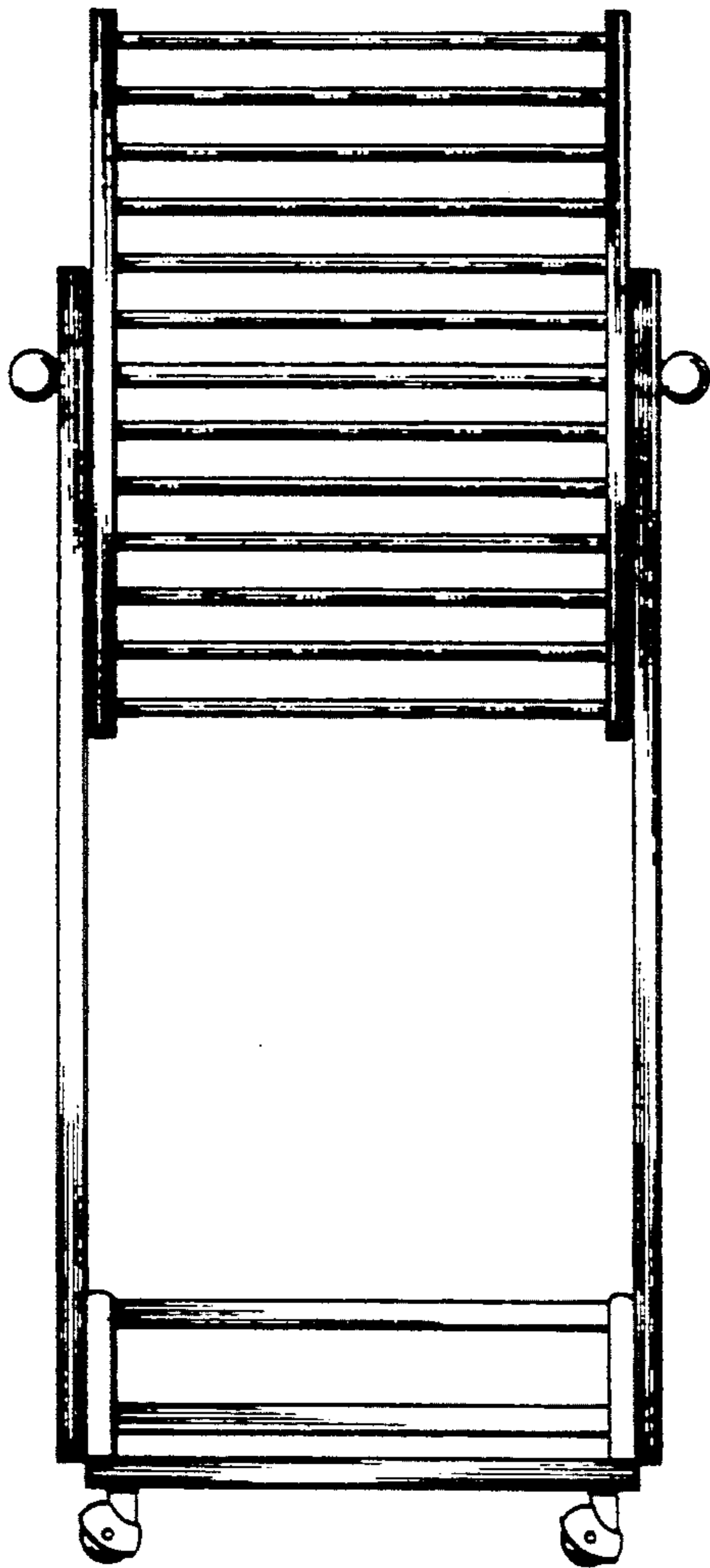


FIG. 1

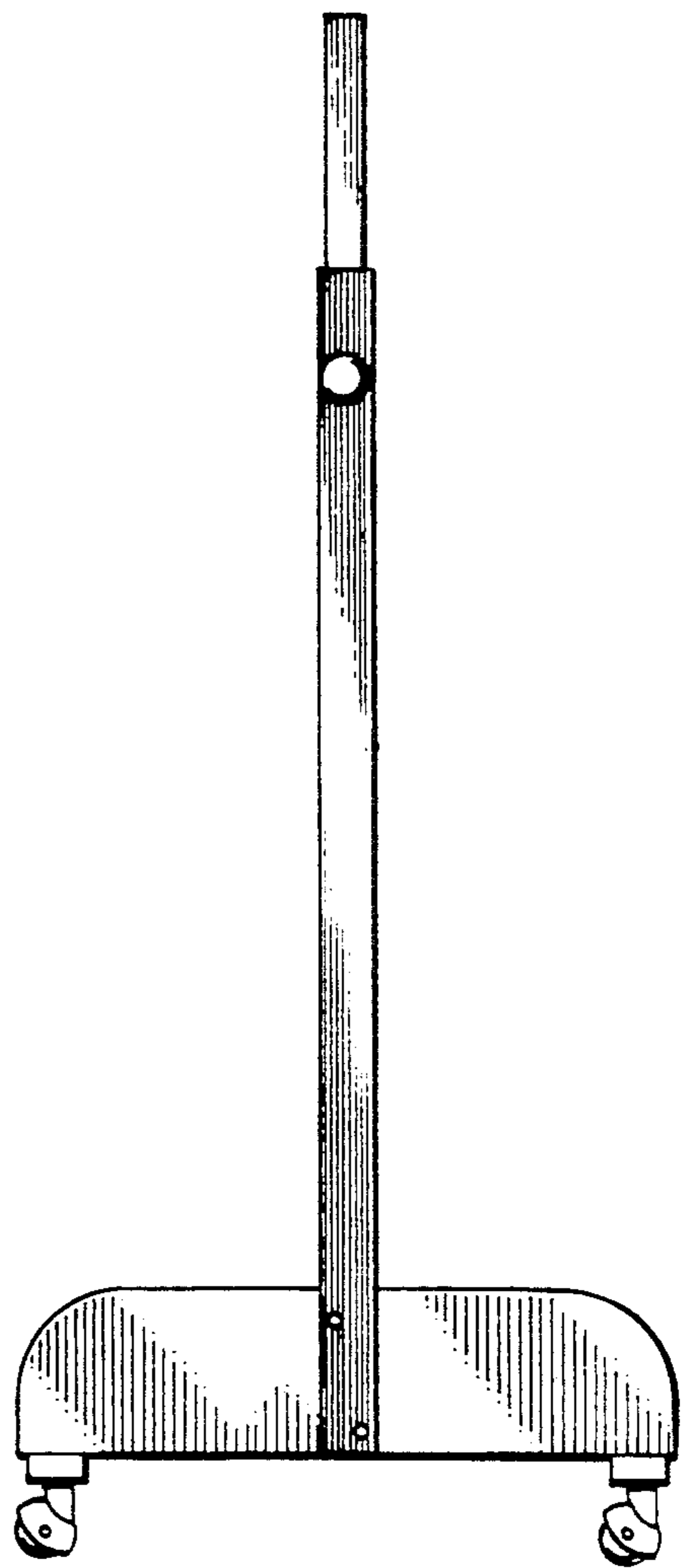


FIG. 2

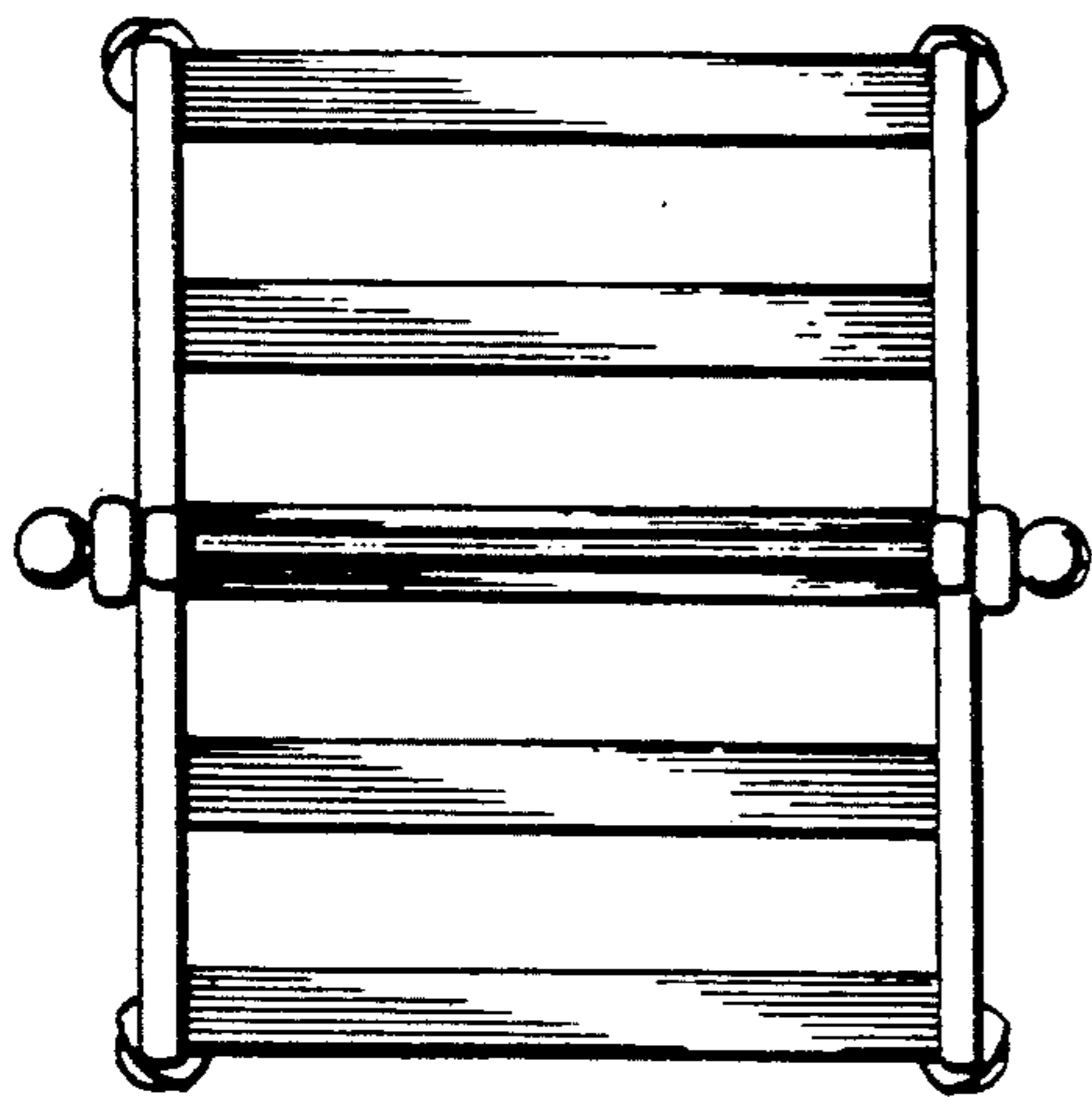


FIG. 3

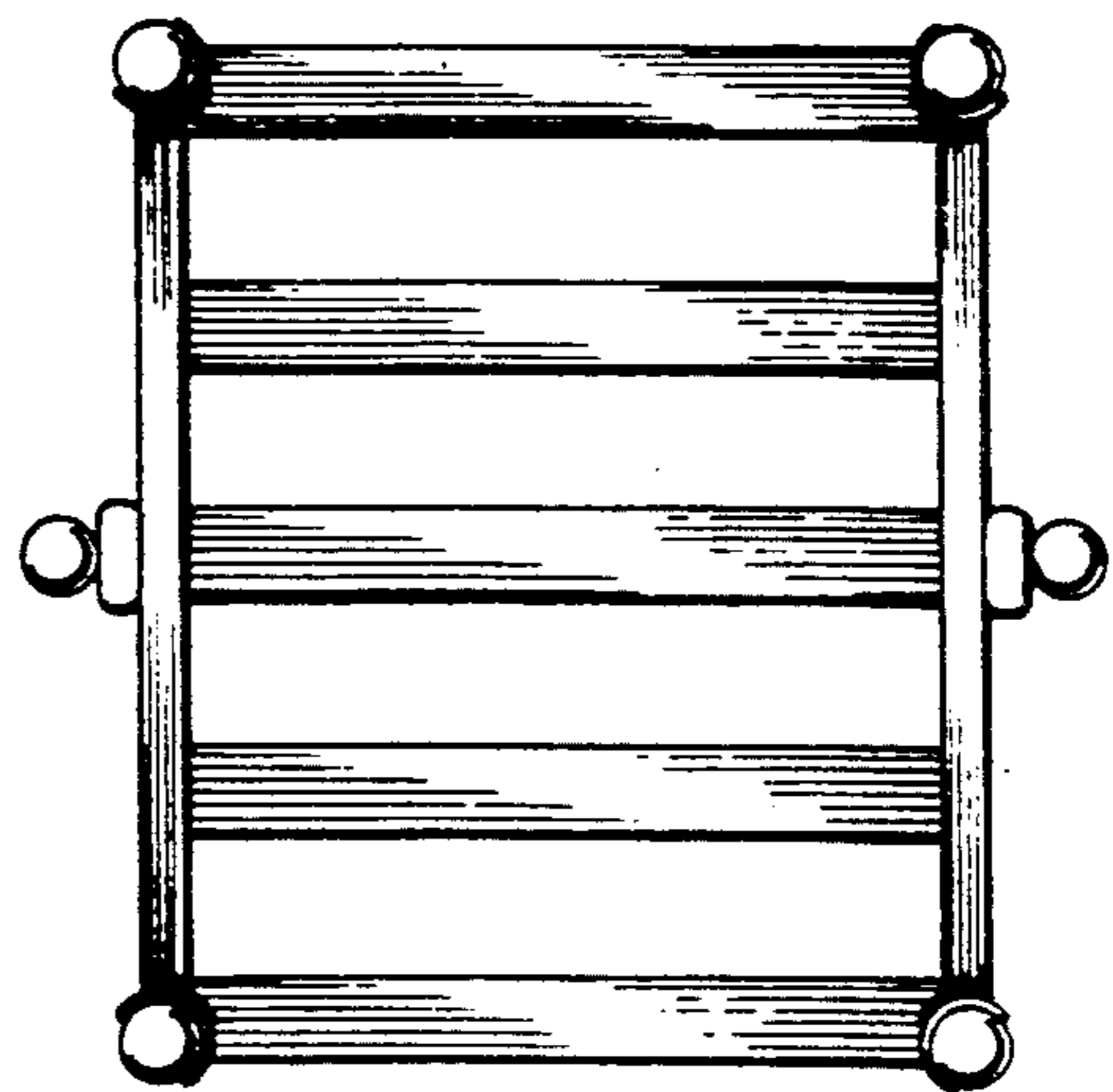


FIG. 4

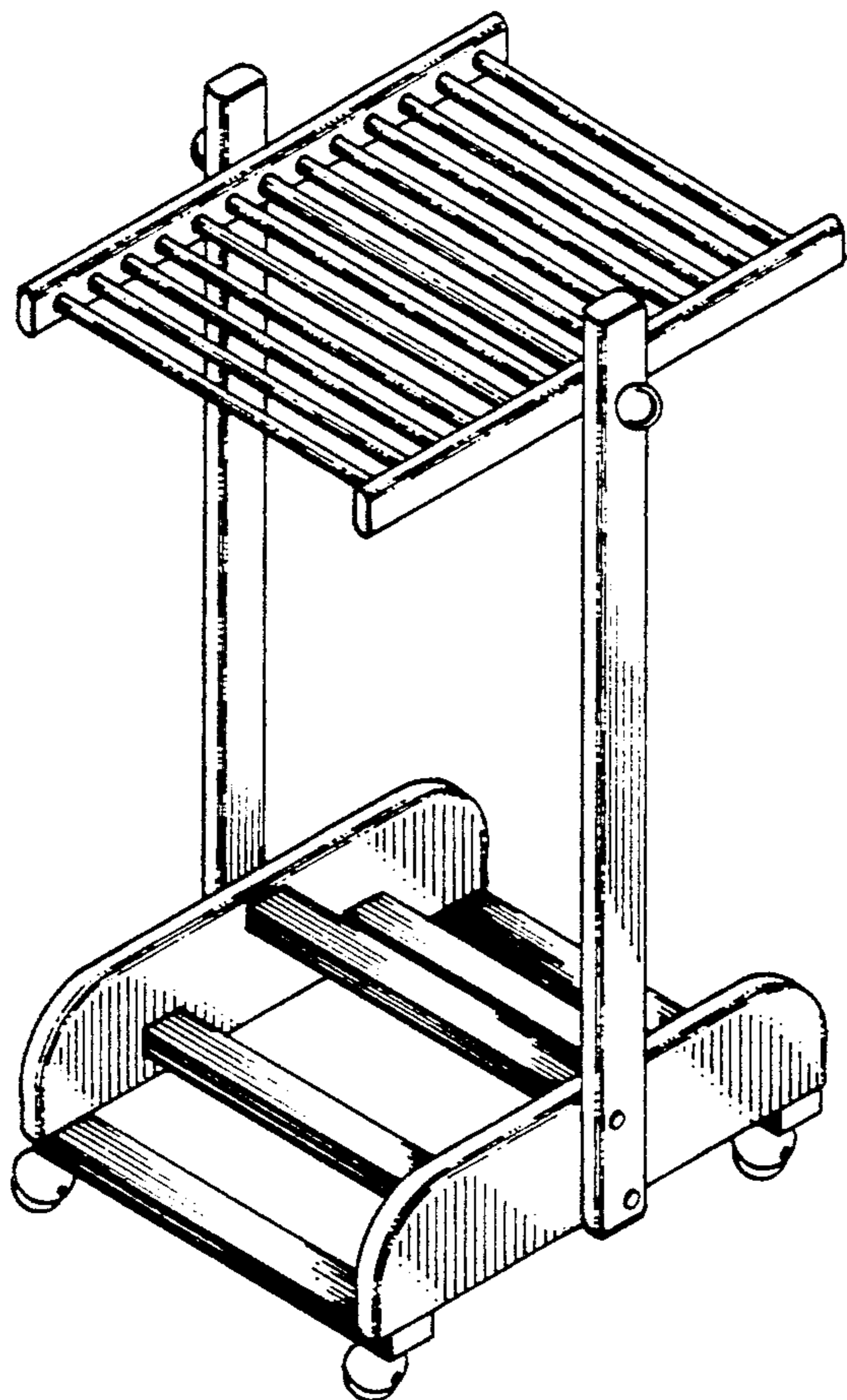


FIG. 5

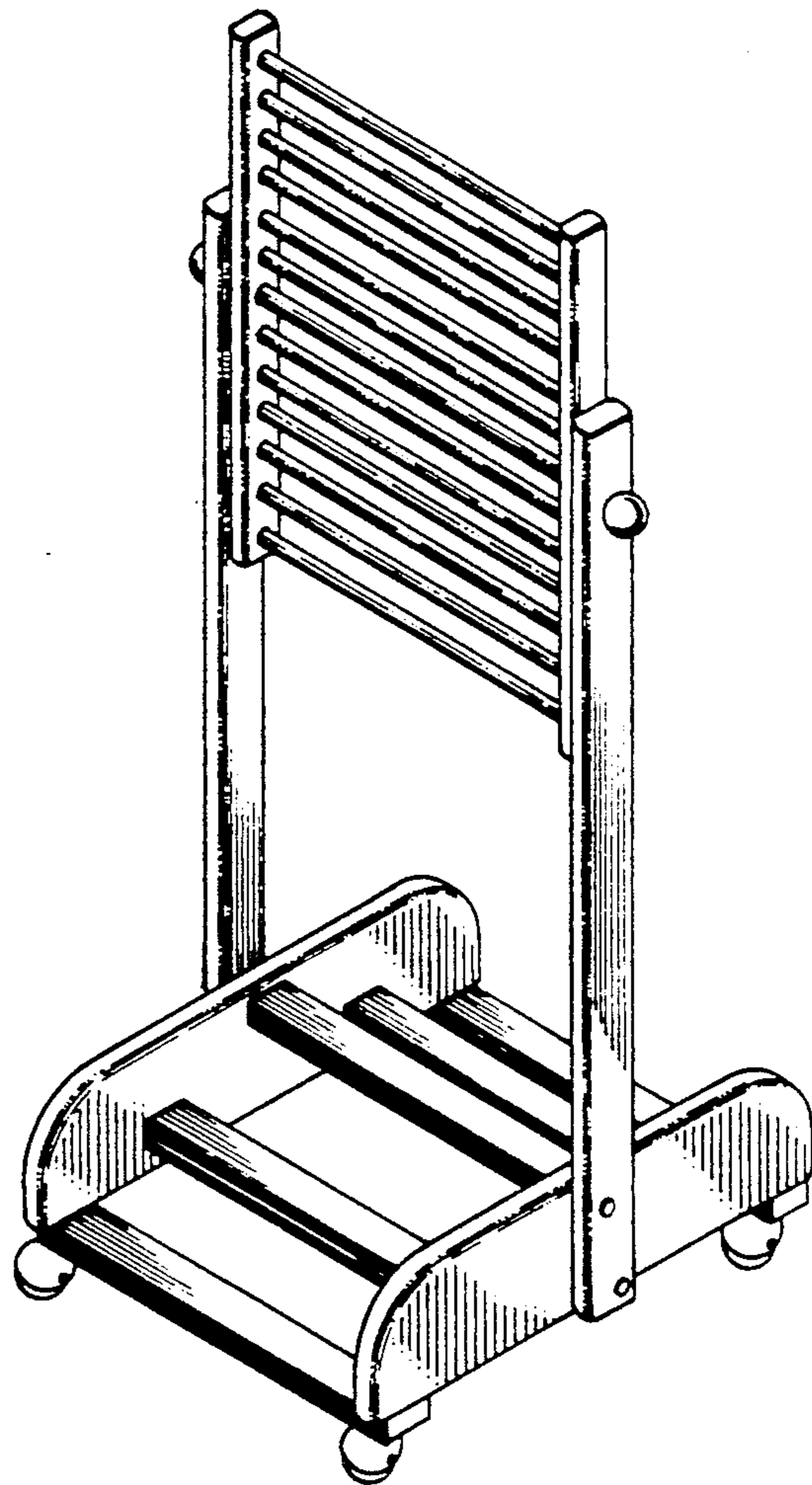


FIG. 6