



US00D327375S

United States Patent [19]

[11] Patent Number: **Des. 327,375**

Cooper

[45] Date of Patent: **** Jun. 30, 1992**

[54] **ADJUSTABLE WORK STATION**

730745 5/1955 United Kingdom 297/217
2028117 8/1979 United Kingdom .

[75] Inventor: **Lloyd G. B. Cooper**, Birmingham, Ala.

[73] Assignee: **Workstation Environments, Inc.**, Birmingham, Ala.

[**] Term: **14 Years**

[21] Appl. No.: **367,214**

[22] Filed: **Jun. 16, 1989**

[52] U.S. Cl. **D6/338; D6/341**

[58] Field of Search **D6/334, 335, 336, 338, D6/341, 374, 375, 500; 297/135, 170, 188**

OTHER PUBLICATIONS

Luigi Colani: *Designing Tomorrow—Car Styling No. 23—Imported from Japan by Kaneko Enterprises, Inc. 15641 Product Lane, A-10, Huntington, CA 92649.*

*Primary Examiner—Donald P. Walsh
Assistant Examiner—Gary D. Watson
Attorney, Agent, or Firm—Nixon & Vanderhye*

[57] CLAIM

The ornamental design for an adjustable work station, as shown and described.

[56] References Cited

U.S. PATENT DOCUMENTS

D. 155,275	9/1949	Eames	D6/374
D. 207,262	3/1967	Maurer et al.	D6/341
D. 239,793	5/1976	Jones	D6/338
D. 286,822	11/1986	Opsvik	D6/335
1,469,928	10/1923	Lazar	297/217 X
2,475,528	7/1949	Strang et al.	297/217
2,624,392	1/1953	Bargen	312/235.9
2,725,095	11/1955	Rodefled	297/170
3,077,038	2/1963	Williams et al.	297/135
4,134,614	1/1979	Fielding	297/172 X
4,365,561	12/1982	Tellier	108/7
4,408,800	10/1983	Knapp	297/347 X
4,495,871	11/1985	Negata et al.	108/20
4,779,922	10/1988	Cooper	297/188
4,798,411	1/1989	Lin	297/170

FOREIGN PATENT DOCUMENTS

2567378	1/1986	France	248/1 A
302485	10/1954	Switzerland	312/235 R

DESCRIPTION

FIG. 1 is a left front perspective view of an adjustable work station showing my new design in a forward position;

FIG. 2 is a left side elevational view shown in a reclined position;

FIG. 3 is a rear elevational view shown in a reclined position;

FIG. 4 is a front elevational view shown in a reclined position;

FIG. 5 is a right side elevational view shown in a reclined position;

FIG. 6 is a top plan view shown in a reclined position;

FIG. 7 is a left side elevational view shown in a forward position; and,

FIG. 8 is a right rear perspective view thereof shown in a forward position.

The broken line showings in FIGS. 5, 7, and 8 are for environmental purposes only and form no part of the claimed design.





FIG. 1

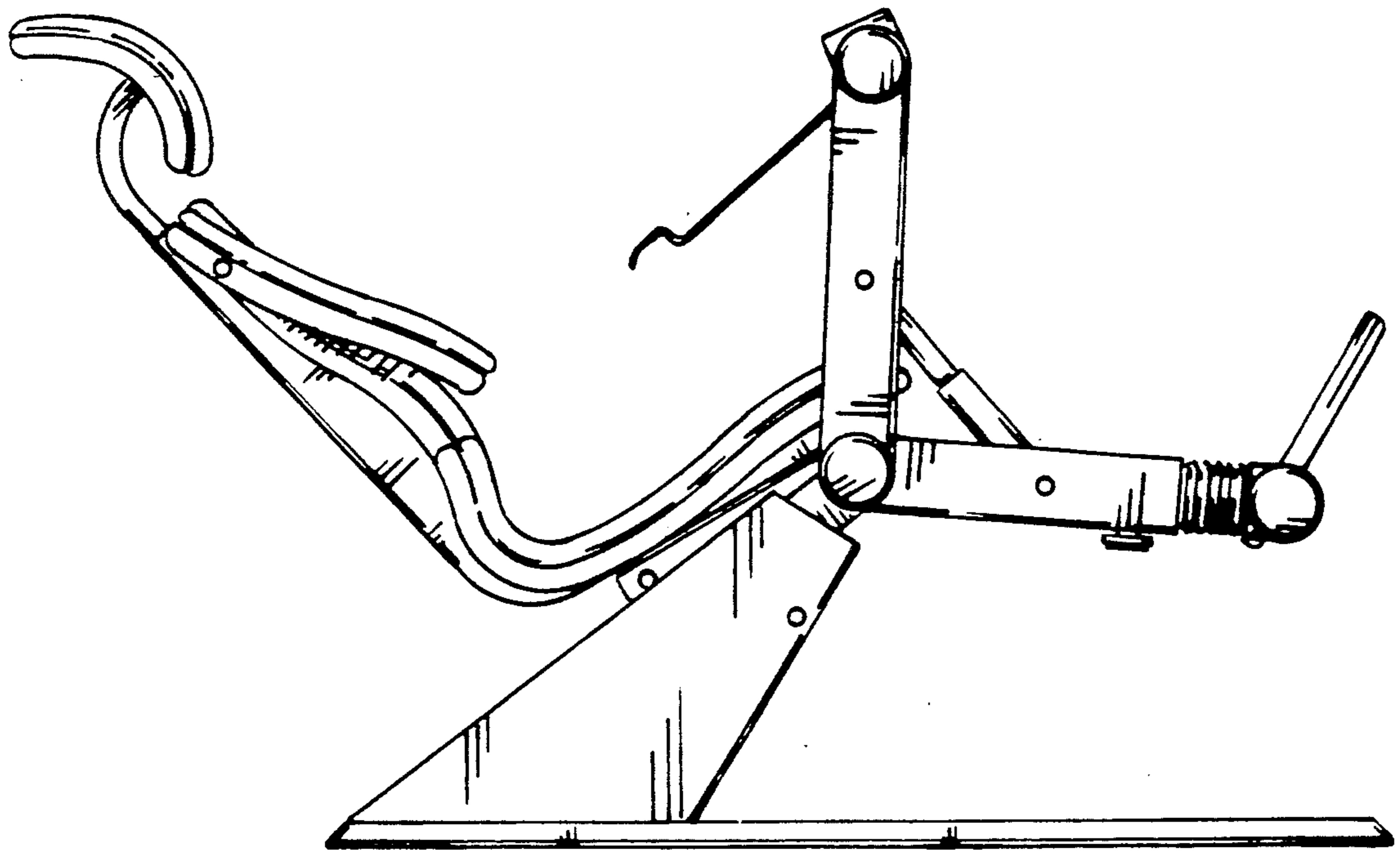


FIG. 2

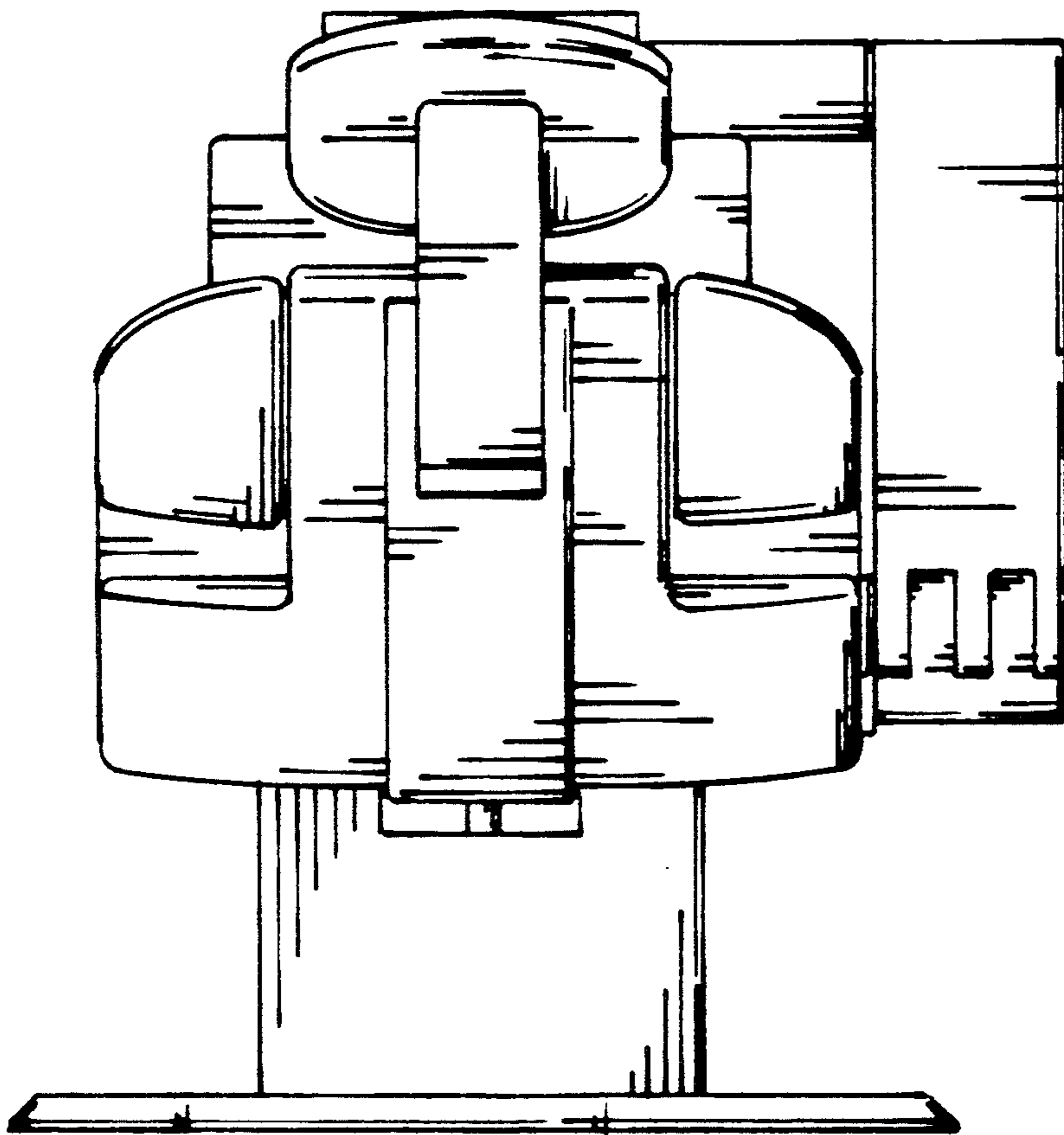


FIG. 3

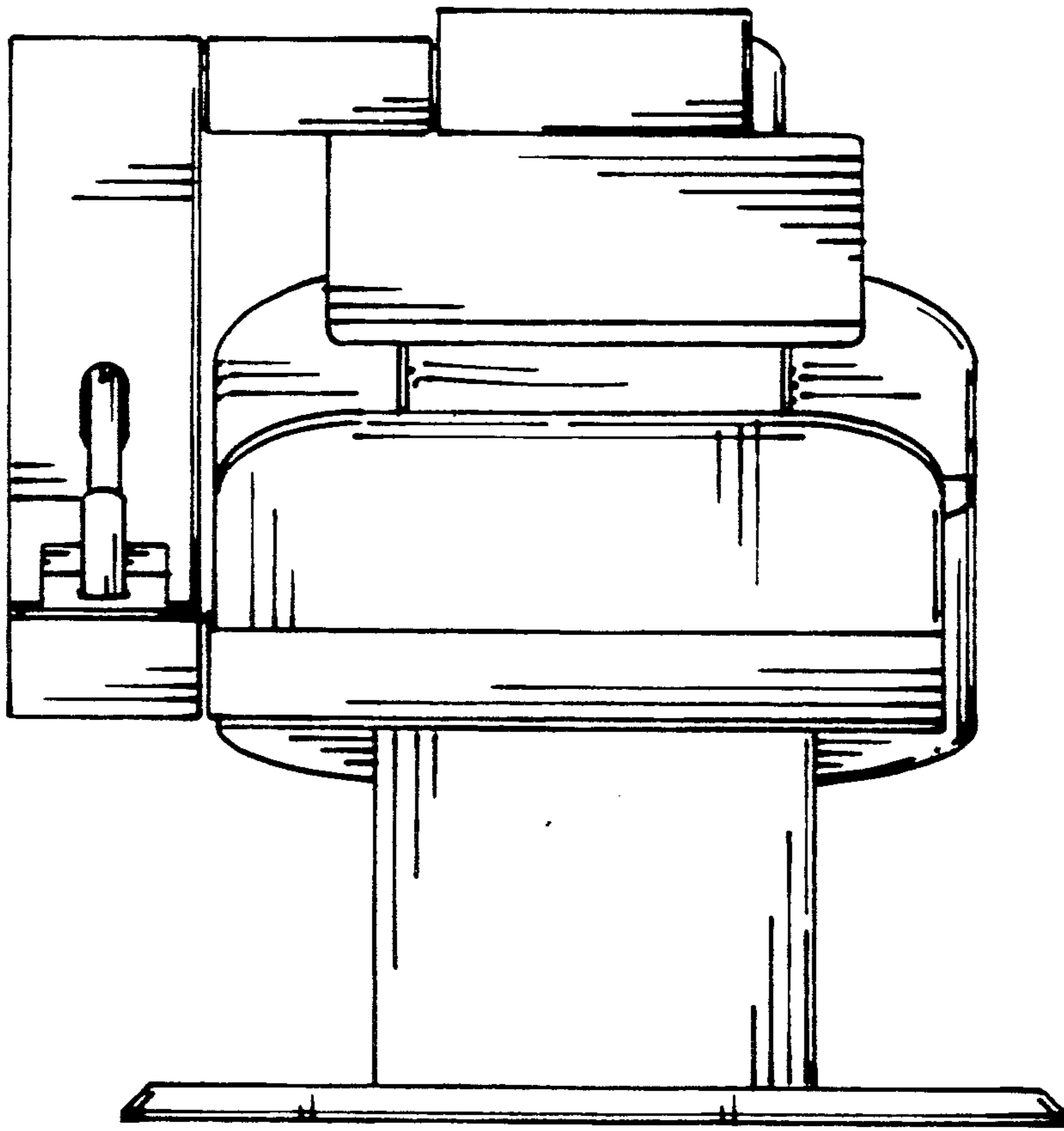


FIG. 4

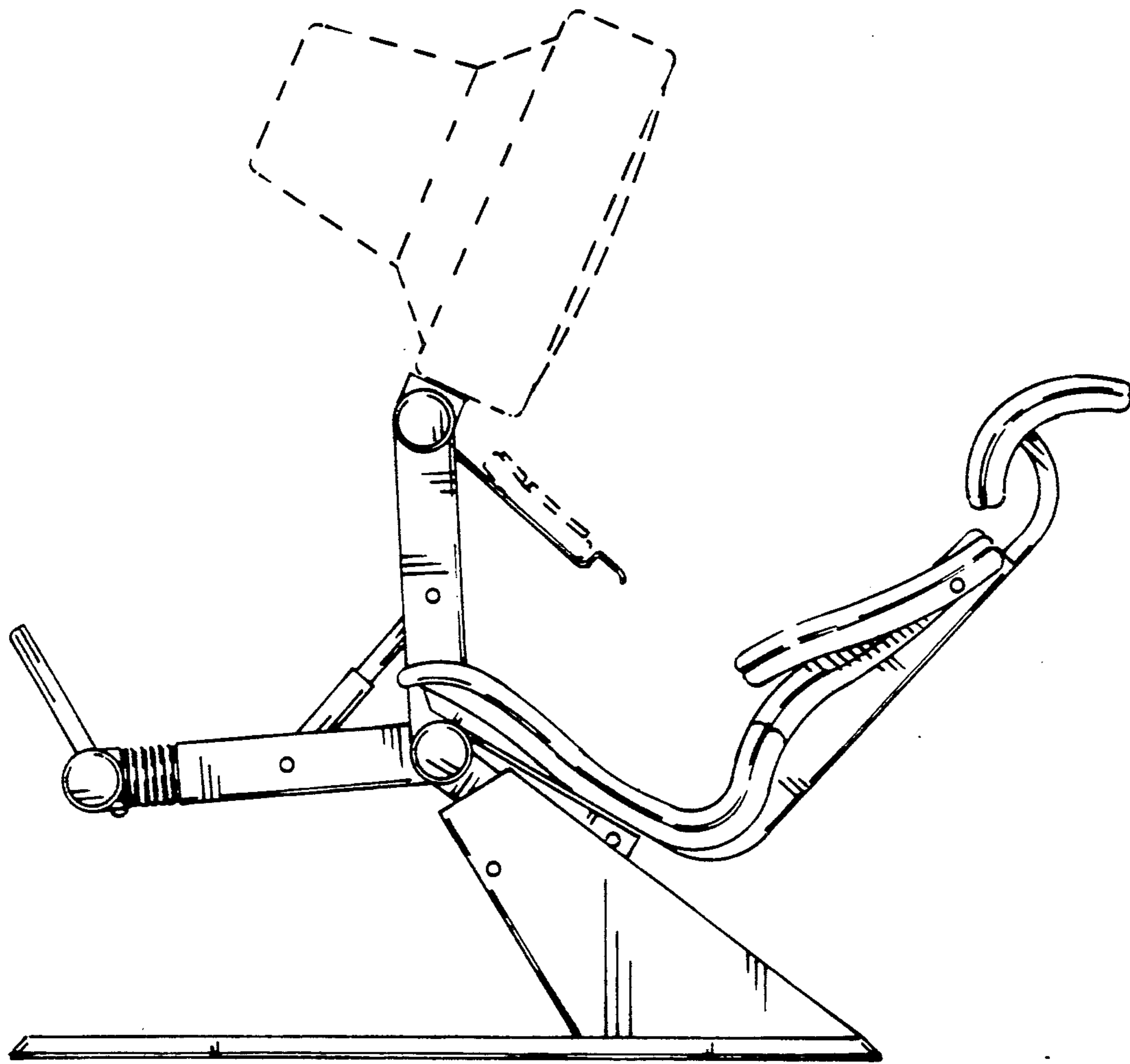


FIG. 5

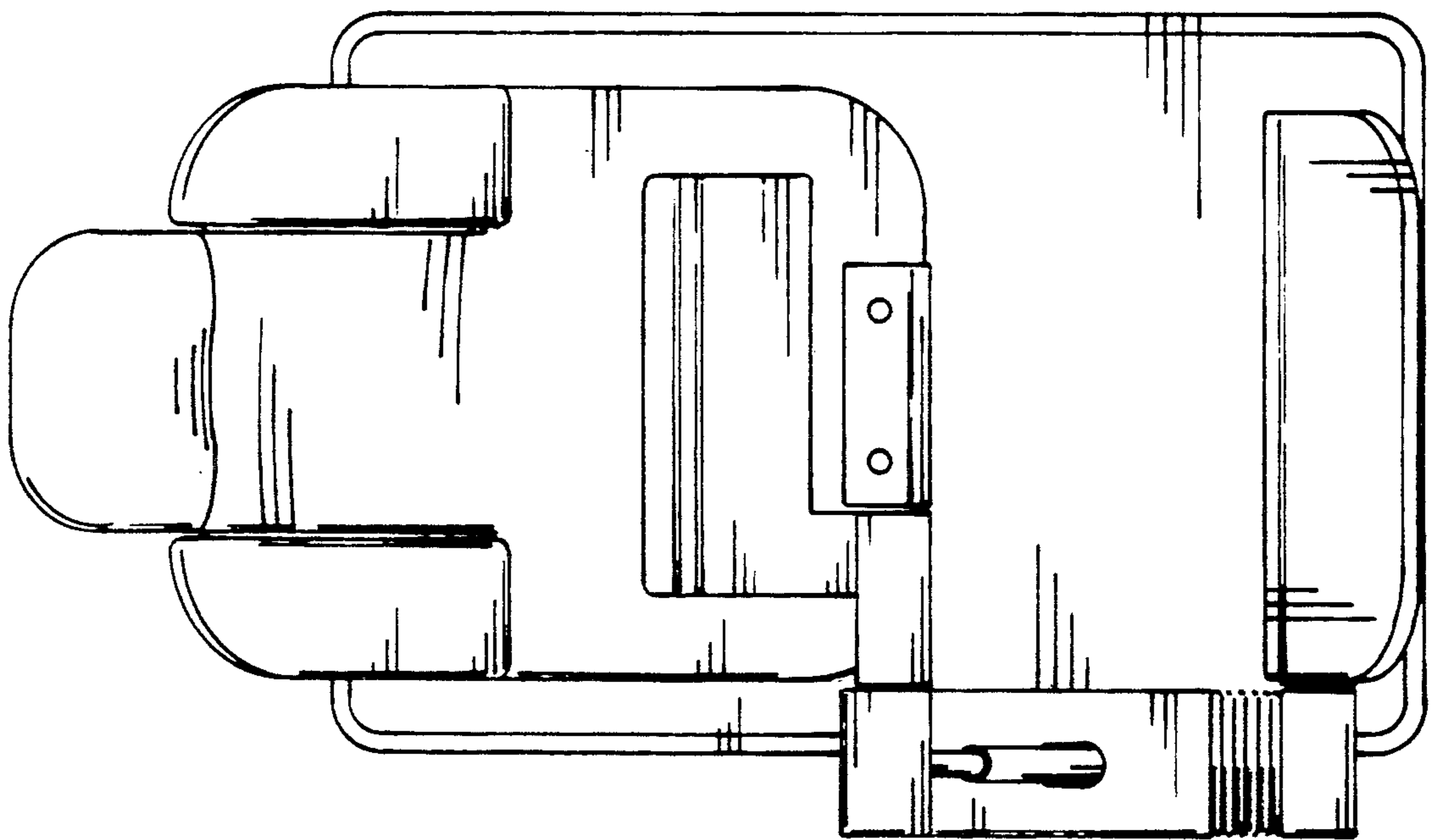


FIG. 6

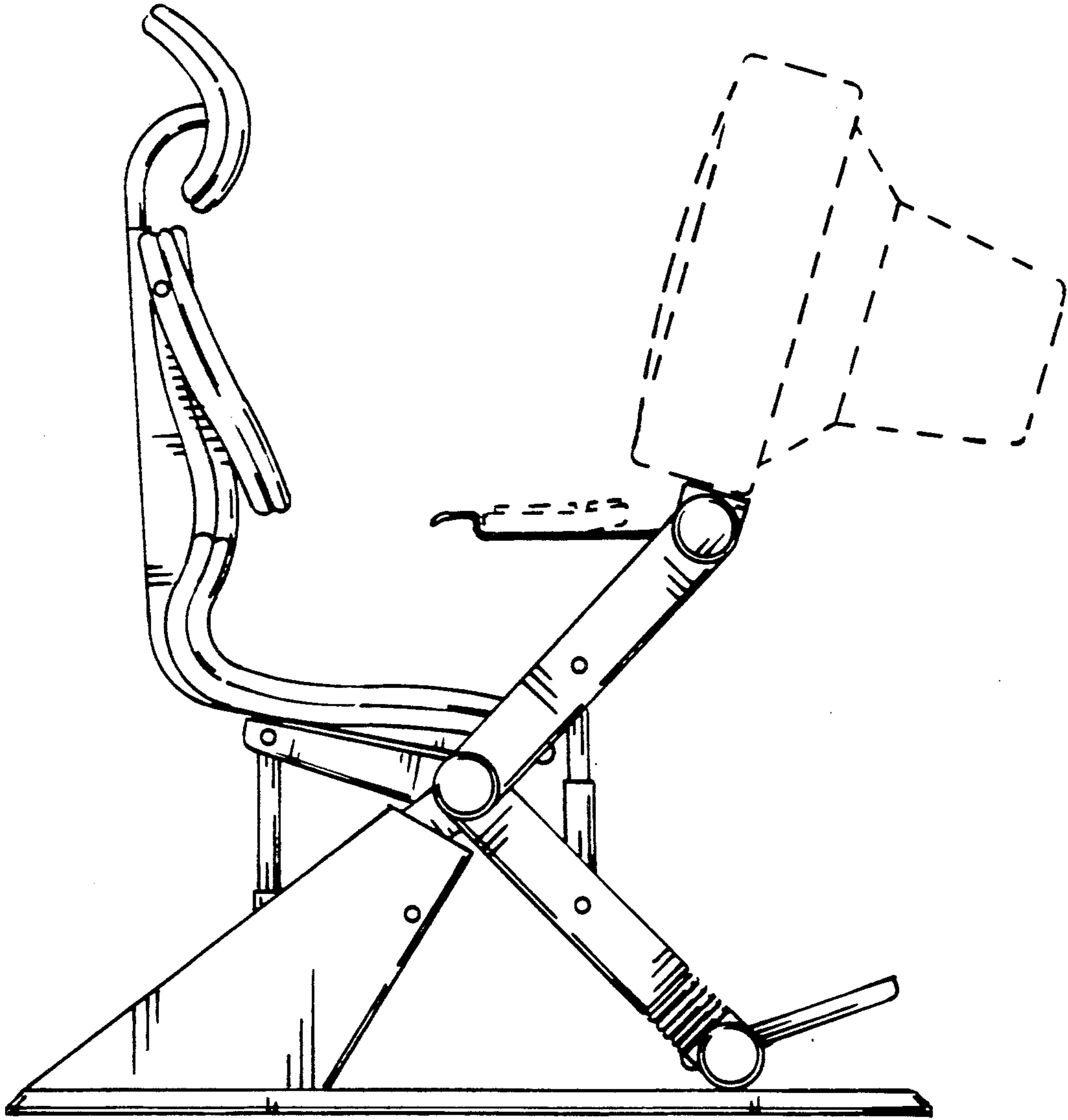


FIG. 7

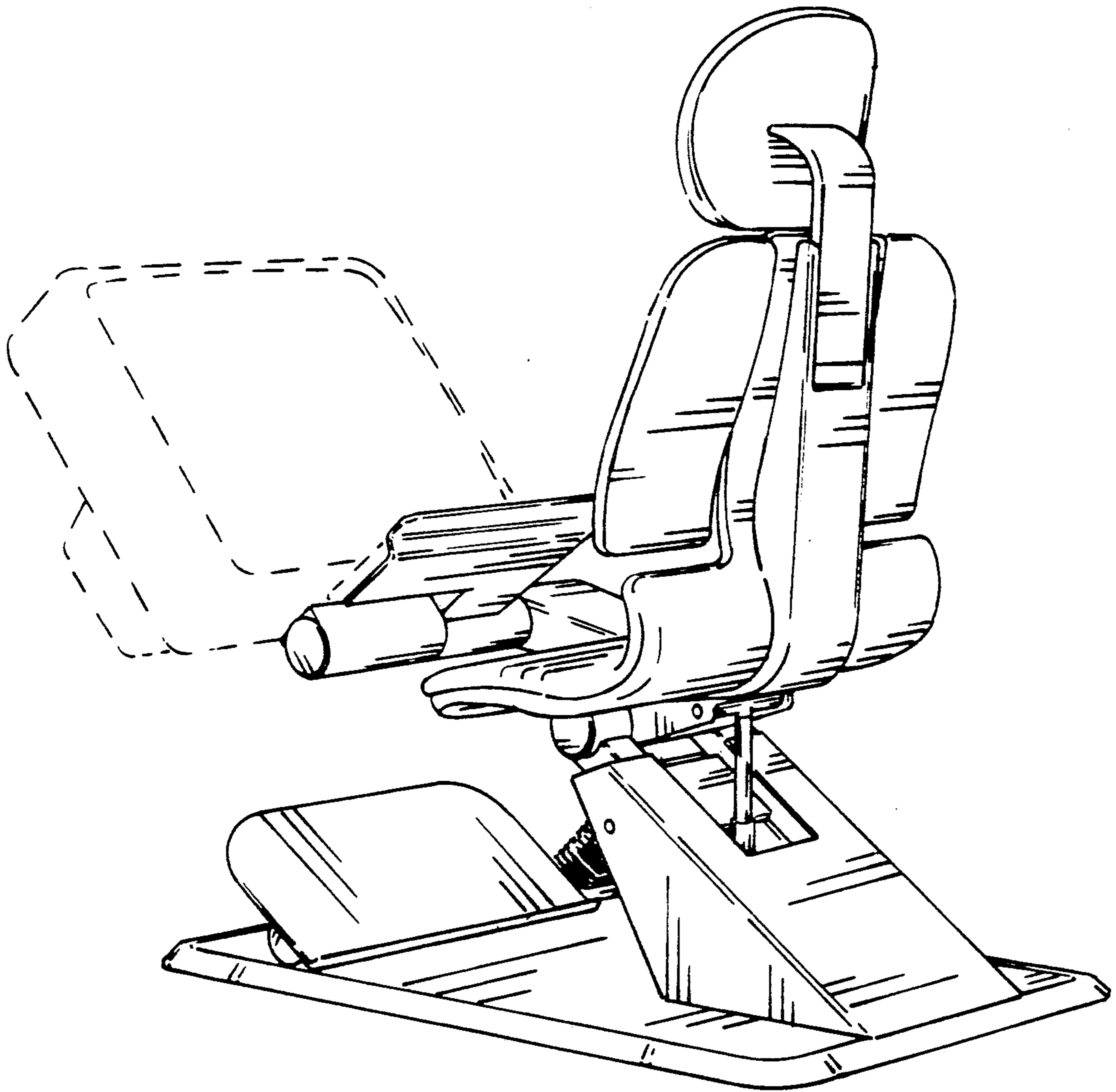


FIG. 8