



US00D327372S

# United States Patent [19]

[11] Patent Number: **Des. 327,372**

Yeong-An

[45] Date of Patent: **\*\* Jun. 30, 1992**

## [54] SCREW-FREE HINGE FOR WOOD DOORS OR THE LIKE

[76] Inventor: **Jang Yeong-An**, No. 207-1, Sec. 2, Chang Chiang Rd., Pan Chiao City, Taipei Hsien, Taiwan

[\*\*] Term: **14 Years**

[21] Appl. No.: **462,217**

[22] Filed: **Jan. 9, 1990**

[52] U.S. Cl. .... **D8/328**

[58] Field of Search ..... **D8/323, 327, 328; 16/384, 388, 389**

### [56] References Cited

#### U.S. PATENT DOCUMENTS

D. 279,255	6/1985	Roy	.....	D8/327
D. 304,802	11/1989	Yi	.....	D8/328
1,061,033	5/1913	Baker	.....	16/384
1,253,798	1/1918	Dunner	.....	16/384
2,714,741	8/1955	Derman	.....	16/384
4,406,035	9/1983	Schmale	.....	16/384

### OTHER PUBLICATIONS

Grammes Cat. 66; ©1941; p. 16; hinge 166.

*Primary Examiner*—B. J. Bullock

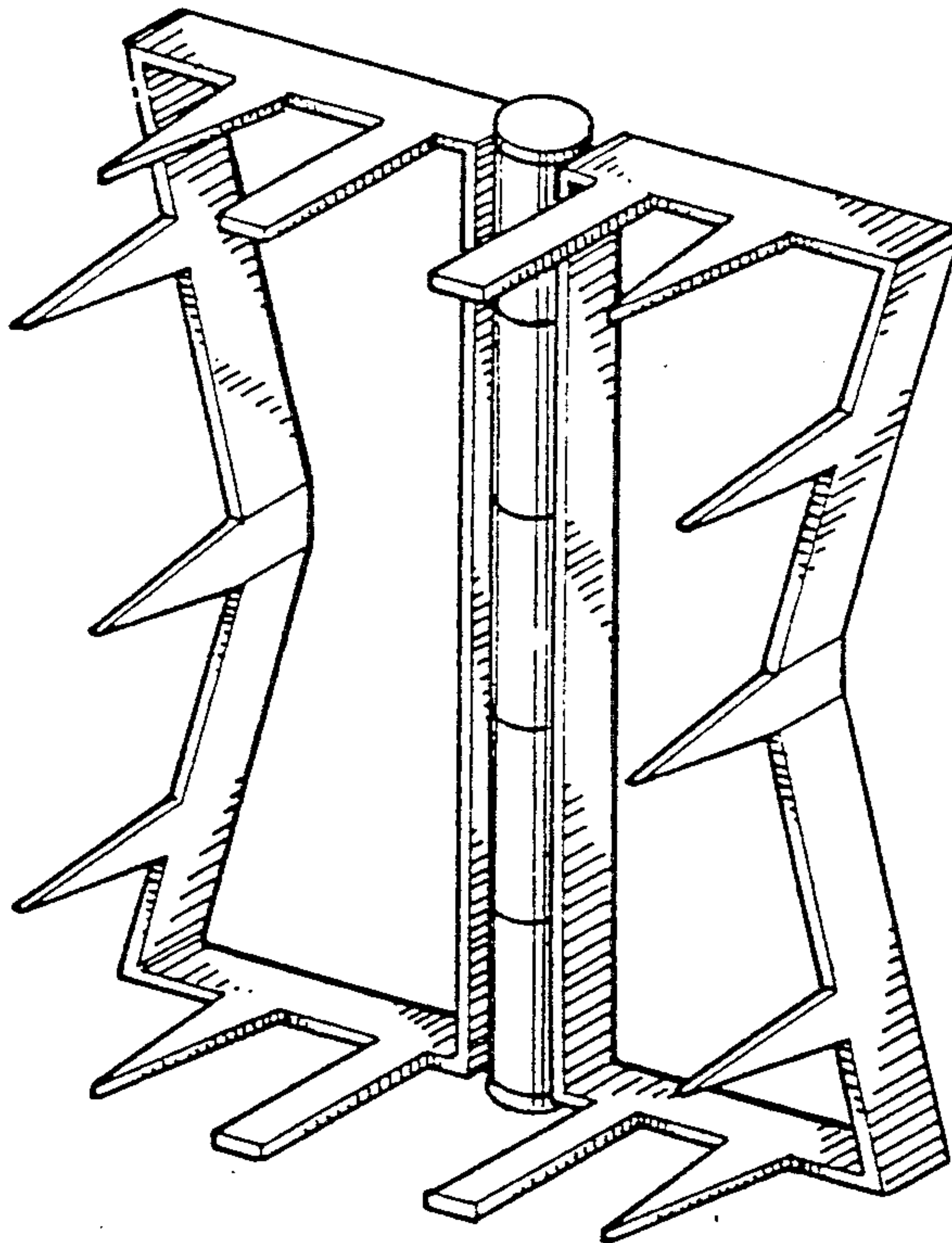
*Attorney, Agent, or Firm*—Poms, Smith, Lande & Rose

### [57] CLAIM

The ornamental design for a screw-free hinge for wood doors or the like, as shown and described.

### DESCRIPTION

FIG. 1 is a front perspective view of a screw-free hinge for wood doors or the like showing my new design; FIG. 2 is a front elevational view thereof; FIG. 3 is a rear elevational view thereof; FIG. 4 is a top plan view thereof, the bottom being a mirror image; FIG. 5 is a left side elevational view thereof, the right side being a mirror image; and, FIG. 6 is a reduced front perspective view thereof, the broken line showing of a door being for illustrative purposes only.



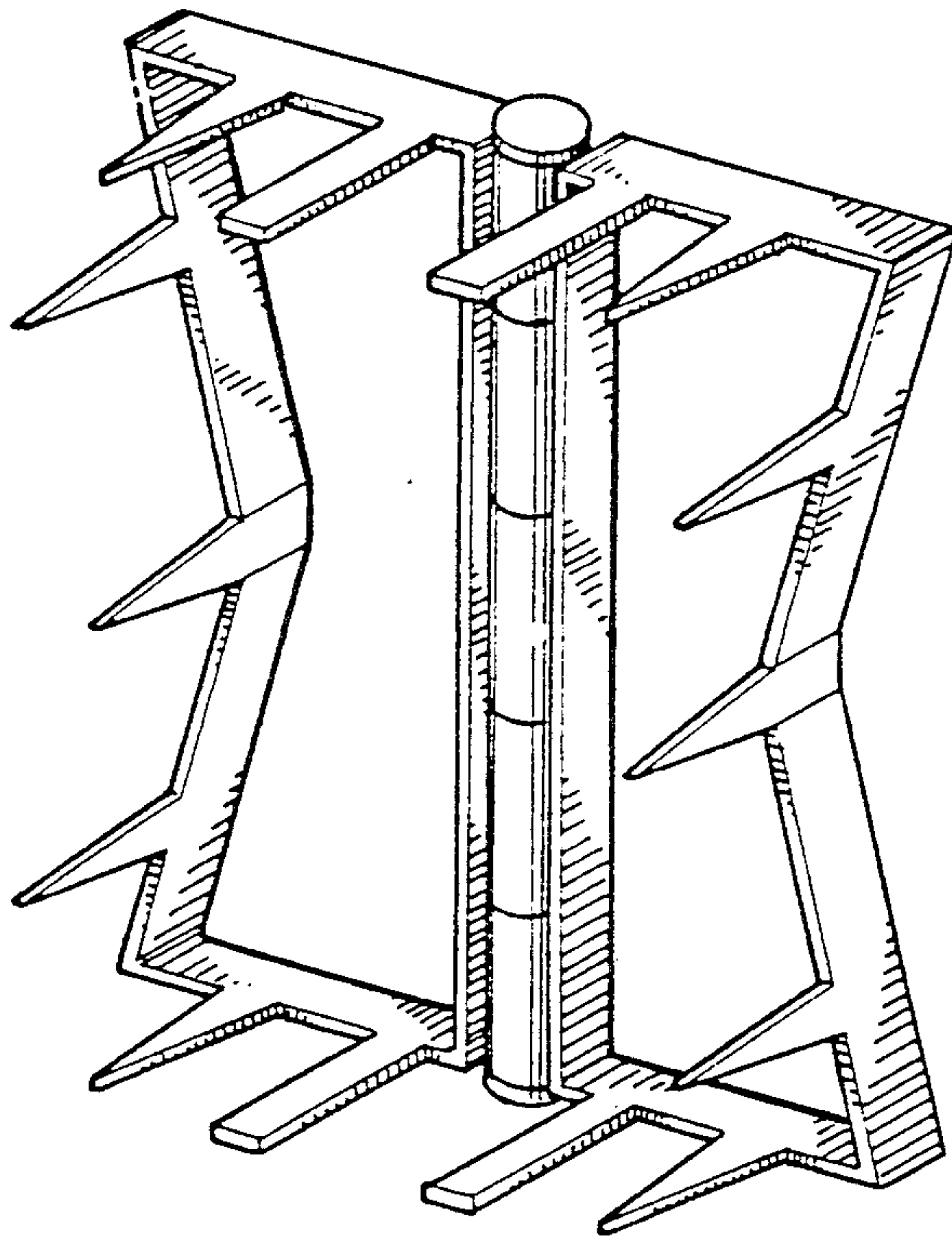


FIG. 1.

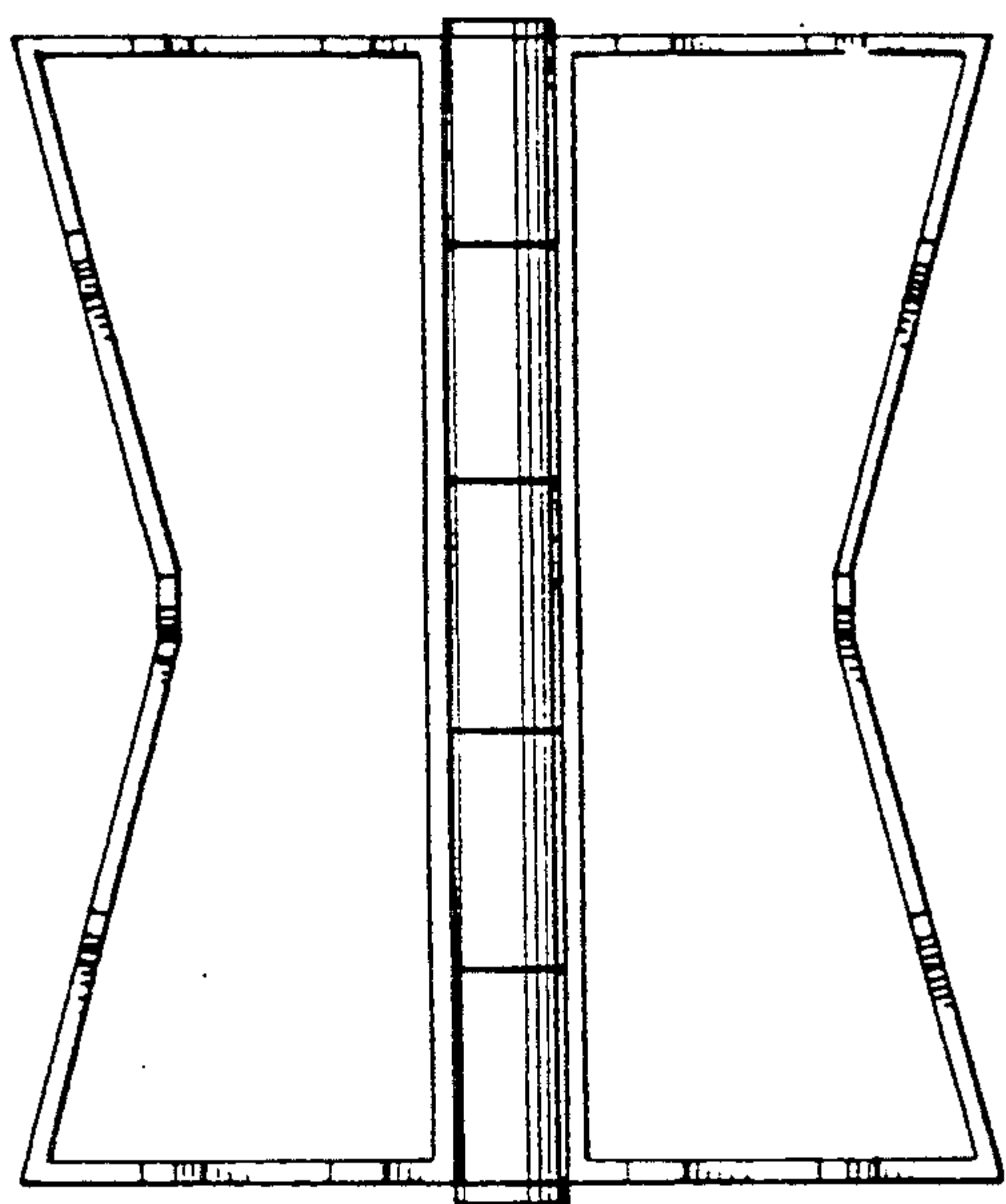


FIG. 2.

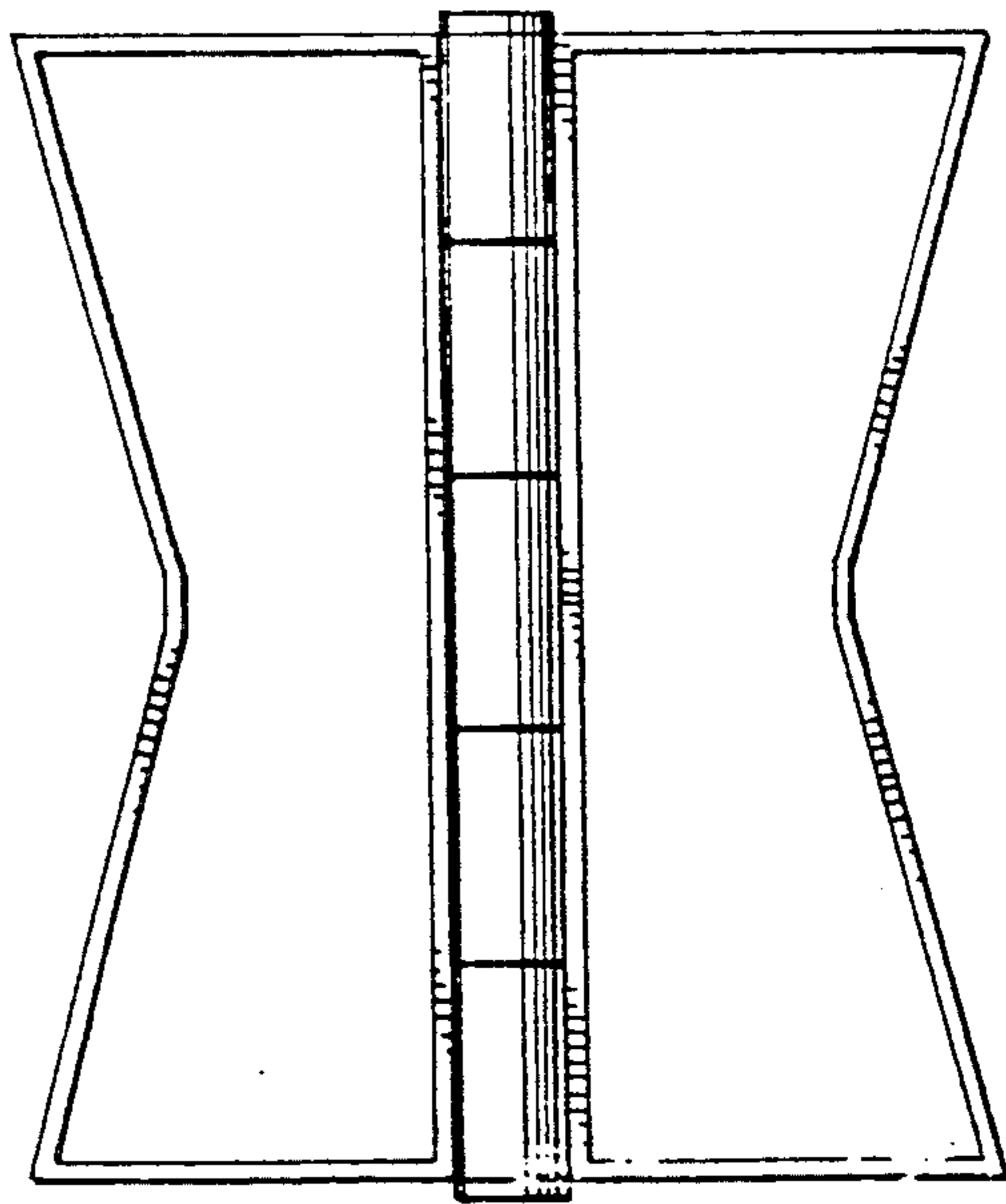


FIG. 3.

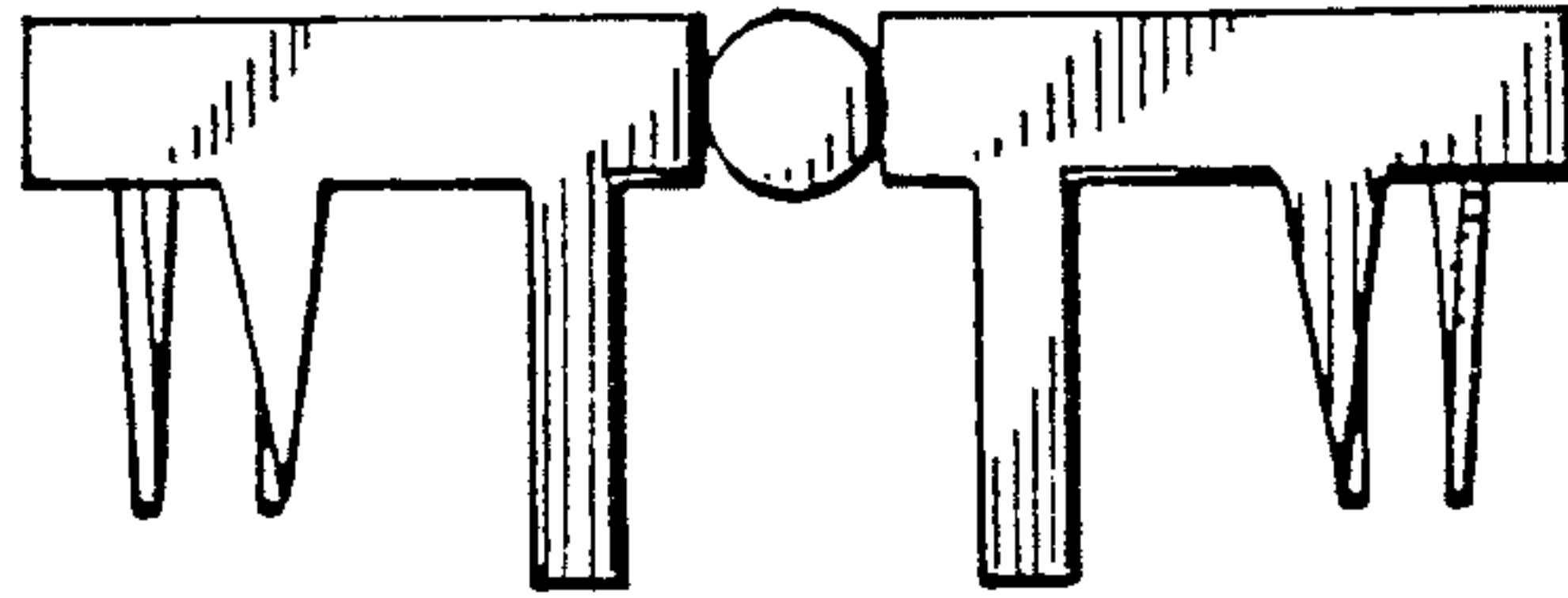


FIG. 4

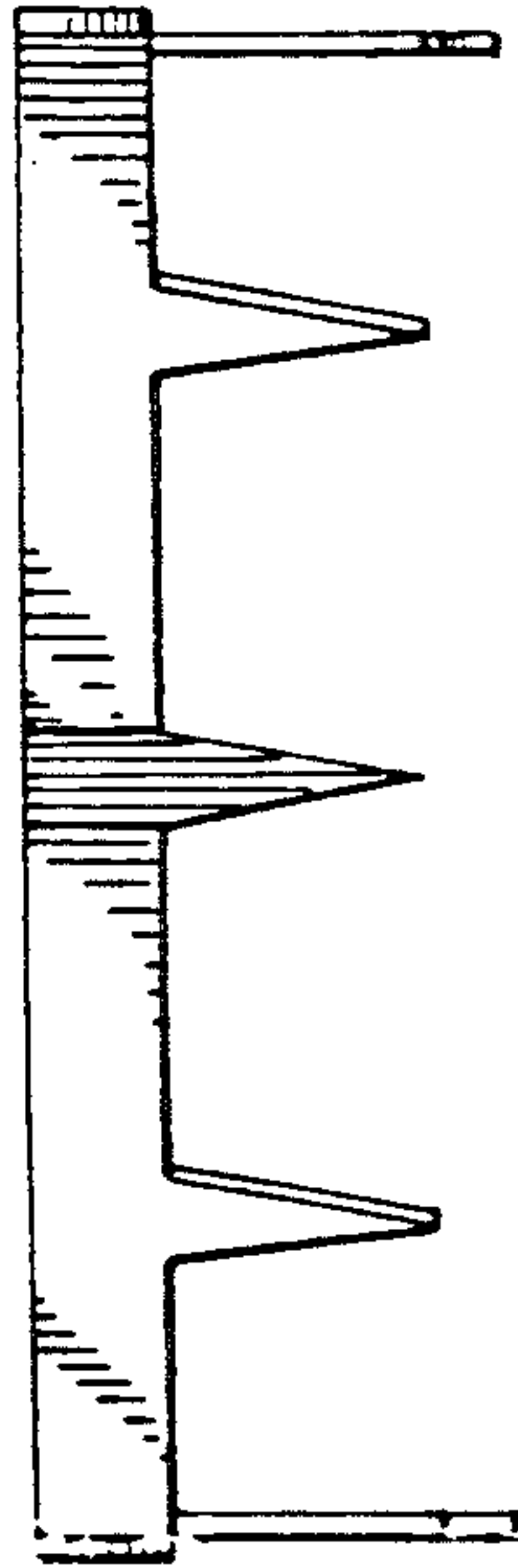


FIG. 5

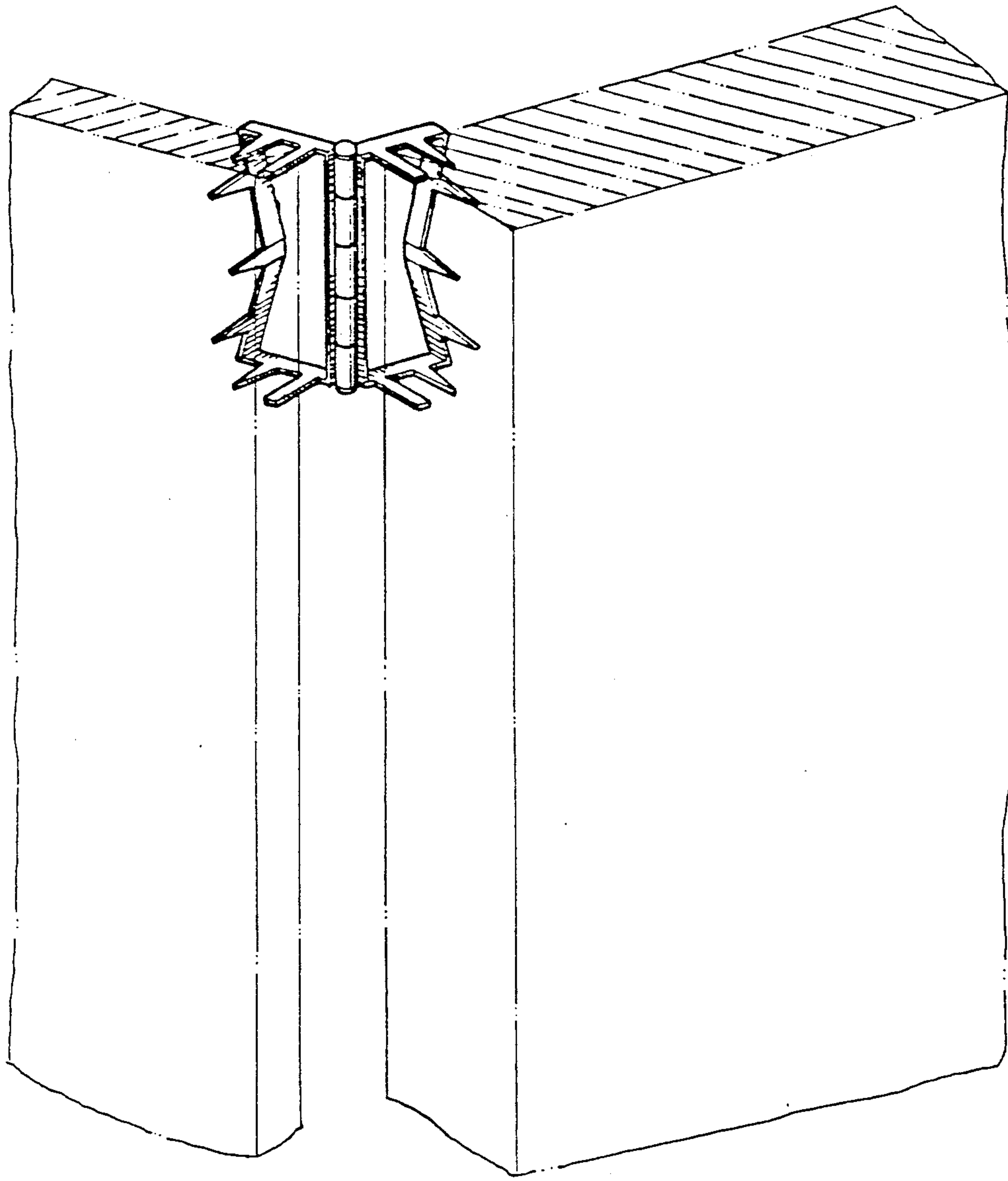


FIG. 6.