



US00D327371S

# United States Patent [19]

Walker

[11] Patent Number: **Des. 327,371**

[45] Date of Patent: **\*\* Jun. 30, 1992**

[54] **TAMPER-PROOF HANGER**

[75] Inventor: **Marvin D. Walker**, Toronto, Canada

[73] Assignee: **Quada Internationale Ltd.**, Montréal, Canada

[\*\*] Term: **14 Years**

[21] Appl. No.: **623,249**

[22] Filed: **Dec. 6, 1990**

[52] U.S. Cl. .... **D6/318; D6/326**

[58] Field of Search ..... **D6/315, 318, 319, 326; 211/113; 223/85, 88, 92, 93, 87, 89, 90, 91, 94, 95, 96**

[56] **References Cited**

**U.S. PATENT DOCUMENTS**

D. 302,078	7/1989	Dewet	.....	D6/326
1,438,350	12/1922	Zorn	.....	D6/318
2,899,117	8/1959	Glowka	.....	223/93
3,966,100	6/1976	Nelson	.....	223/94

4,324,352 4/1982 Goldfarb et al. .... 223/93

4,685,572 8/1987 Jamison ..... 223/96

4,951,484 8/1990 Rohald et al. .... 223/85

5,011,054 4/1991 Mauffette ..... 223/88

5,018,650 5/1991 Mauffette ..... 223/93

*Primary Examiner*—**B. J. Bullock**

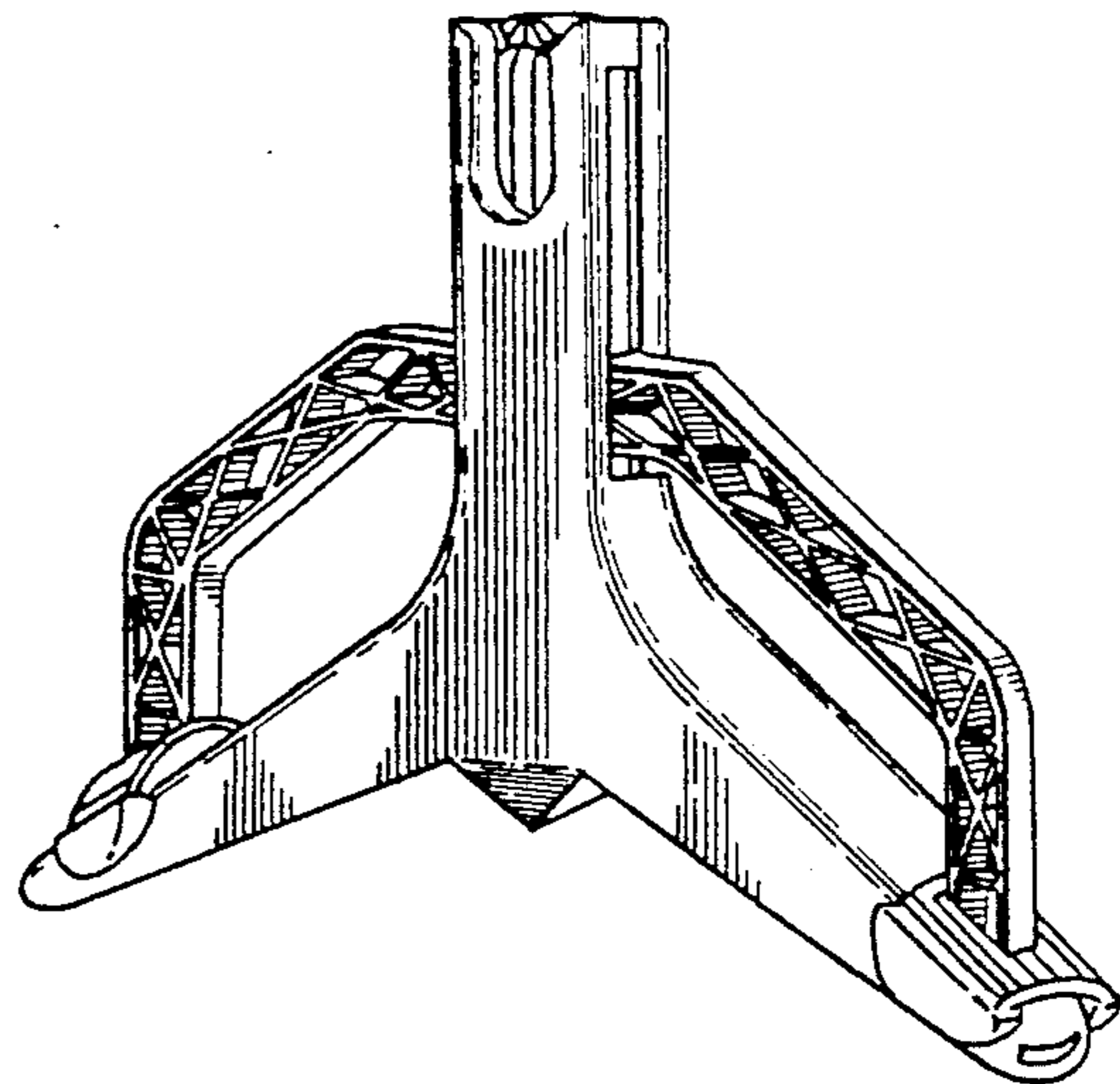
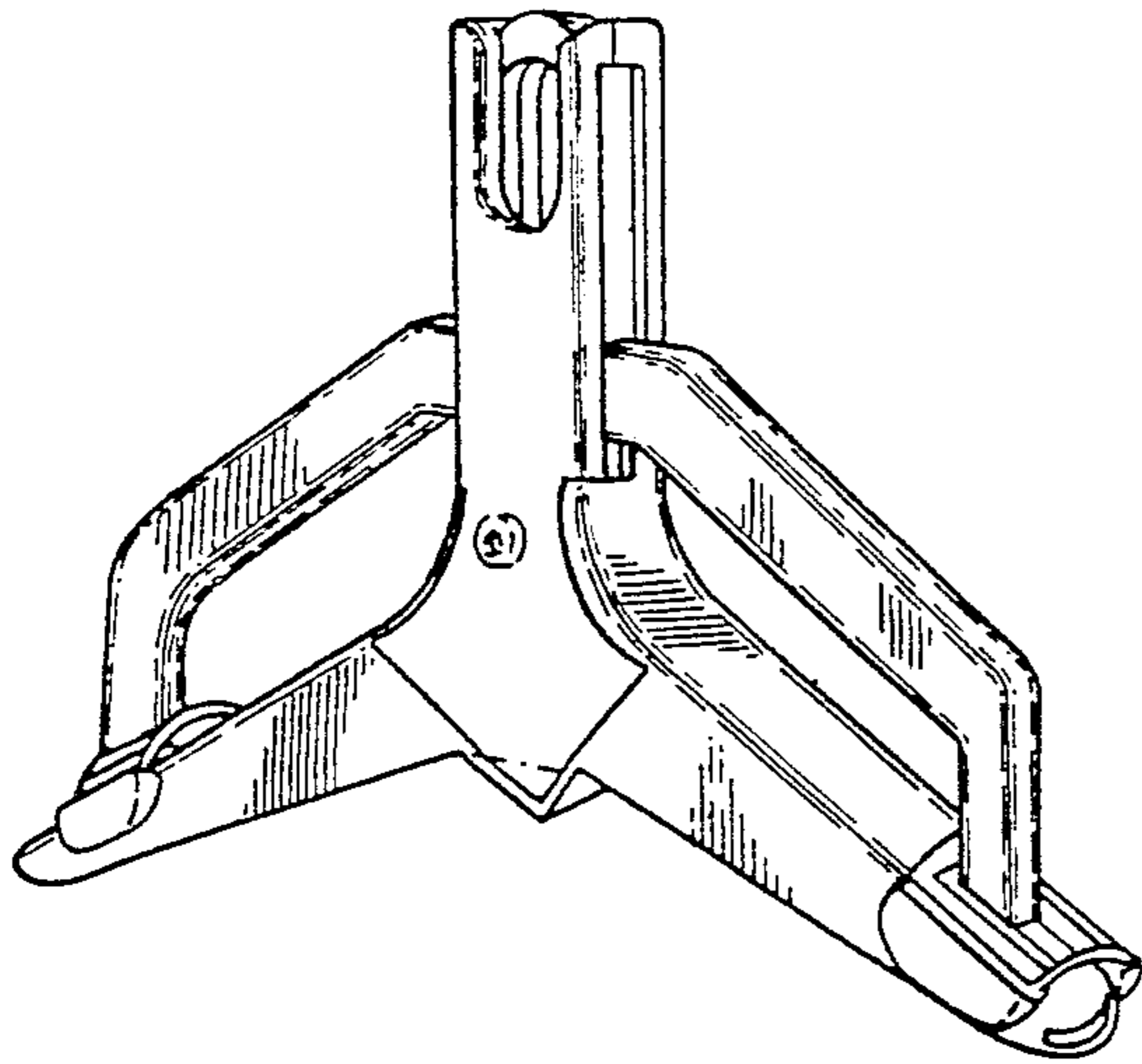
*Attorney, Agent, or Firm*—**Robic**

[57] **CLAIM**

The ornamental design for a tamper-proof hanger, as shown.

**DESCRIPTION**

FIG. 1 is a front perspective view of a tamper-proof hanger, showing my new design; FIG. 2 is a rear perspective view thereof; FIG. 3 is a front elevational view thereof; FIG. 4 is a rear elevational view thereof; FIG. 5 is a top plan view thereof; FIG. 6 is a bottom plan view thereof; and, FIG. 7 is a right side elevational view thereof, the left side being a mirror image.



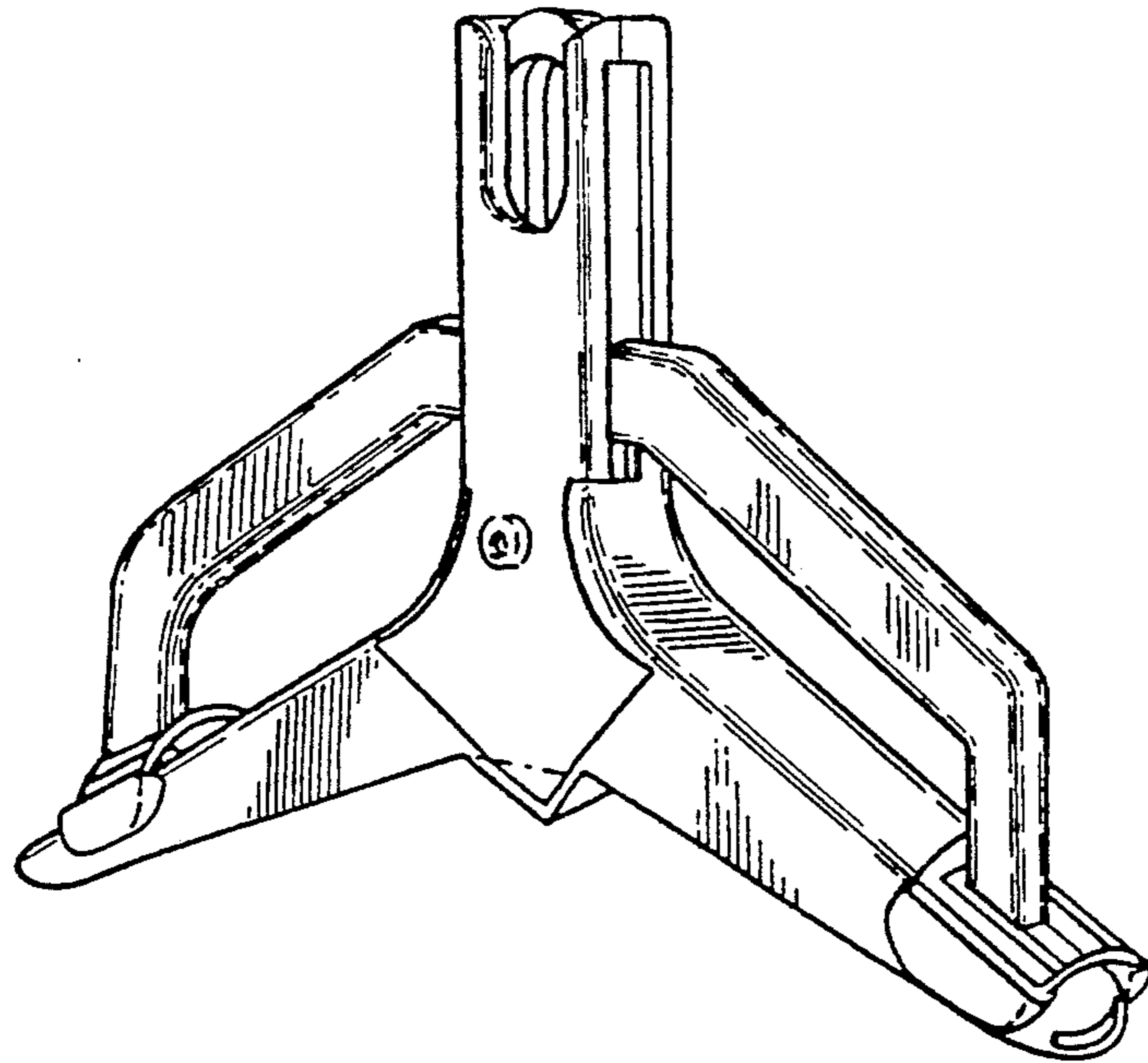


FIG. 1

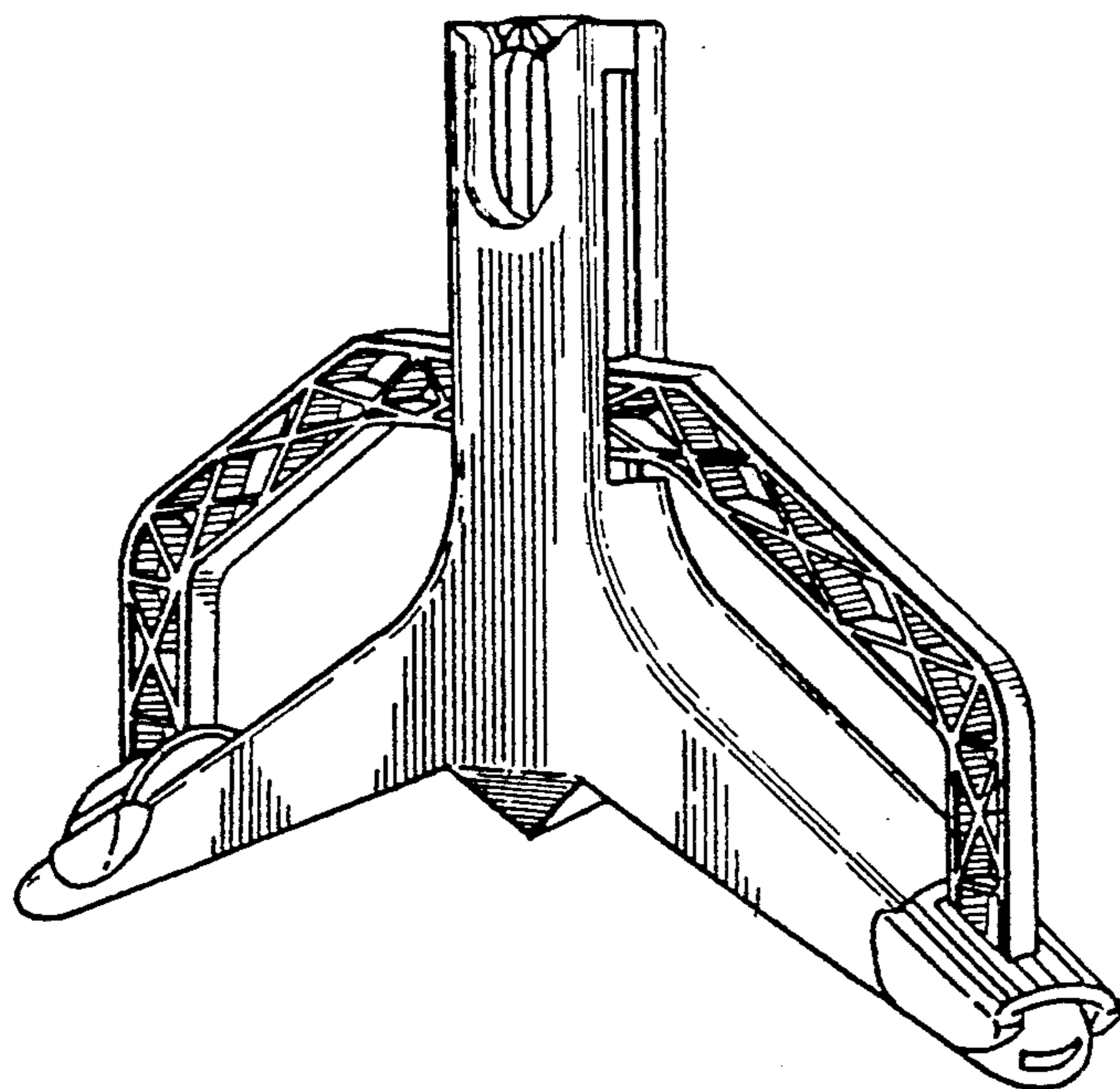


FIG. 2

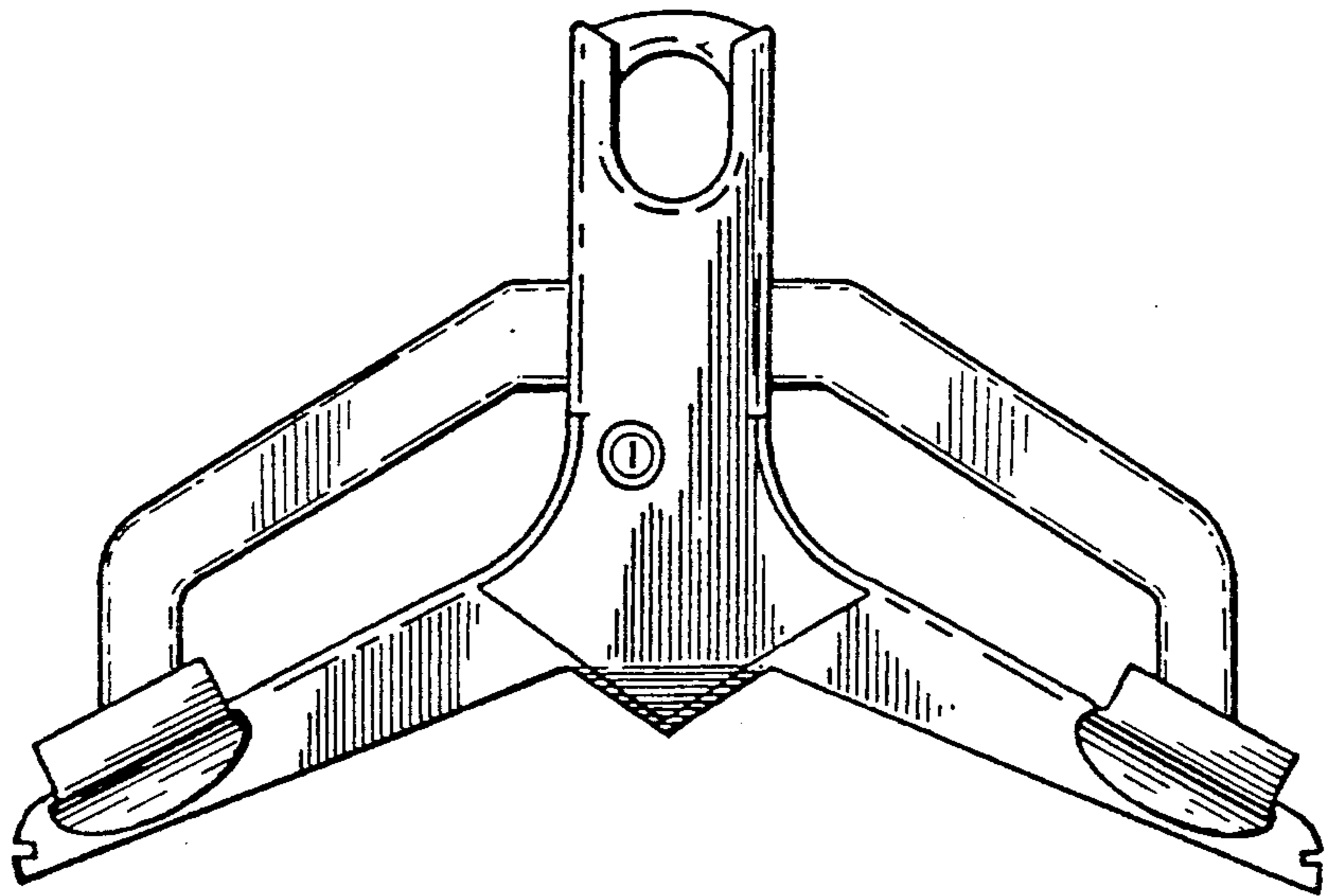


FIG. 3

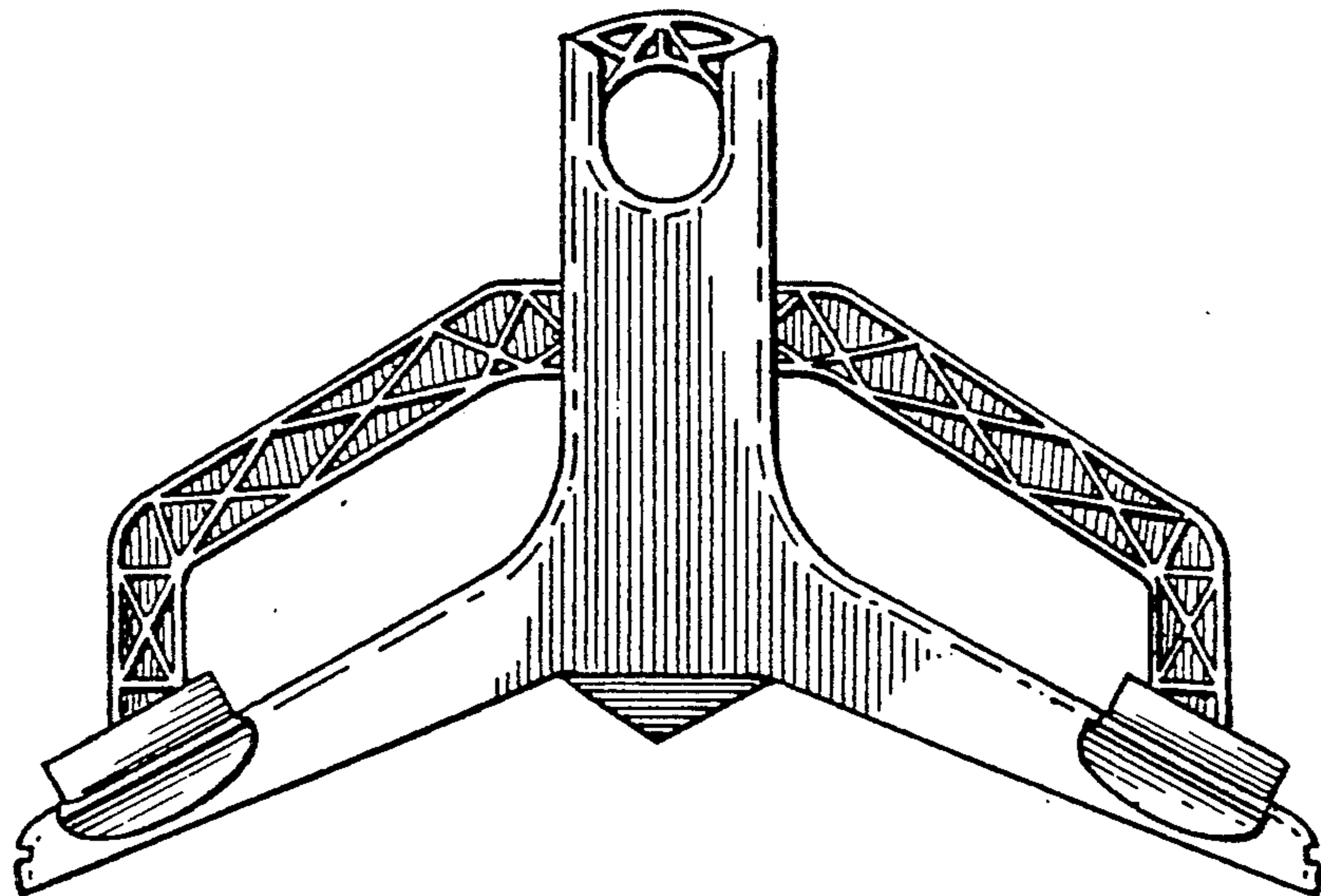


FIG. 4

FIG. 5

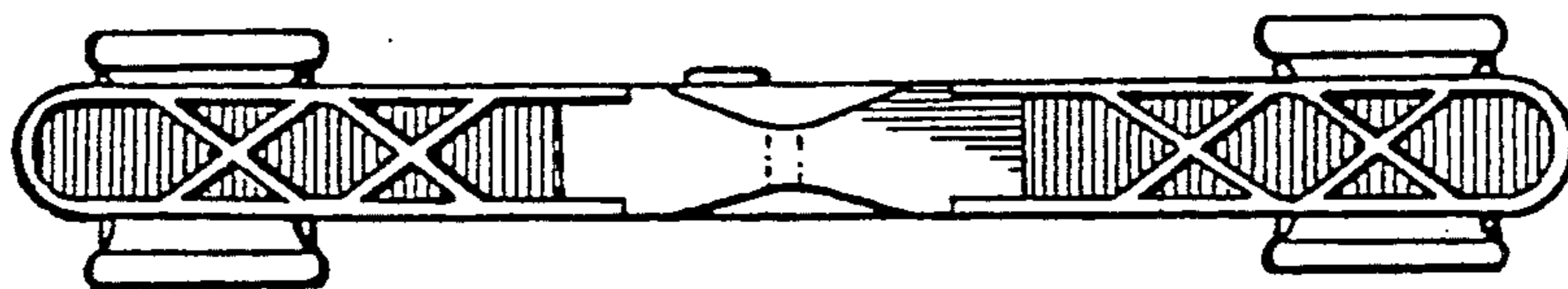
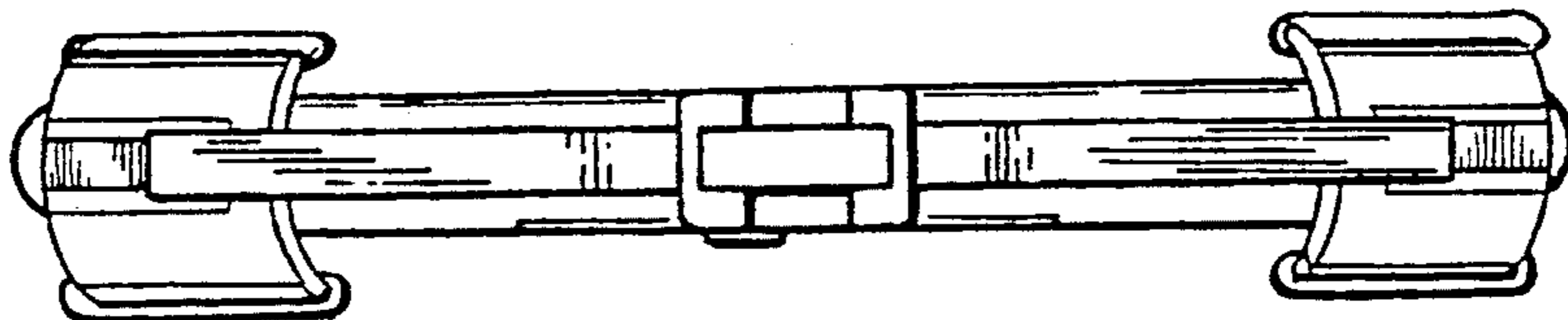


FIG. 6

FIG. 7

