



US00D327369S

United States Patent [19]

[11] Patent Number: **Des. 327,369**

Russo, Jr.

[45] Date of Patent: **** Jun. 30, 1992**

[54] BRUSH FOR CLEANING SKI BOOTS

[76] Inventor: **Vincent Russo, Jr.**, 7891 N. Patrick Henry, Tucson, Ariz. 85741

[**] Term: **14 Years**

[21] Appl. No.: **314,416**

[22] Filed: **Feb. 22, 1989**

[52] U.S. Cl. **D4/130; D32/47**

[58] Field of Search **D4/116, 118; D32/35, D32/46-47; 15/111-112, 159 R, 159 A, 160-161, 237; 280/809, 813**

[56] References Cited

U.S. PATENT DOCUMENTS

D. 286,337	10/1986	Wilkie, Jr.	D32/47
3,028,617	4/1962	Racina	15/237
3,350,111	10/1967	Sahlein et al.	280/813
3,929,345	12/1975	Nasby et al.	280/813
4,000,909	1/1977	Coale	280/813
4,145,062	3/1979	Stiemert	15/237 X
4,571,767	2/1986	Dangler	15/161
4,900,061	2/1990	Kozma, Jr.	280/813

FOREIGN PATENT DOCUMENTS

2355748 5/1975 Fed. Rep. of Germany 280/813

Primary Examiner—Wallace R. Burke
Assistant Examiner—Lavone D. Tabor
Attorney, Agent, or Firm—Terry M. Gernstein

[57] CLAIM

The ornamental design for a brush for cleaning ski boots, as shown and described.

DESCRIPTION

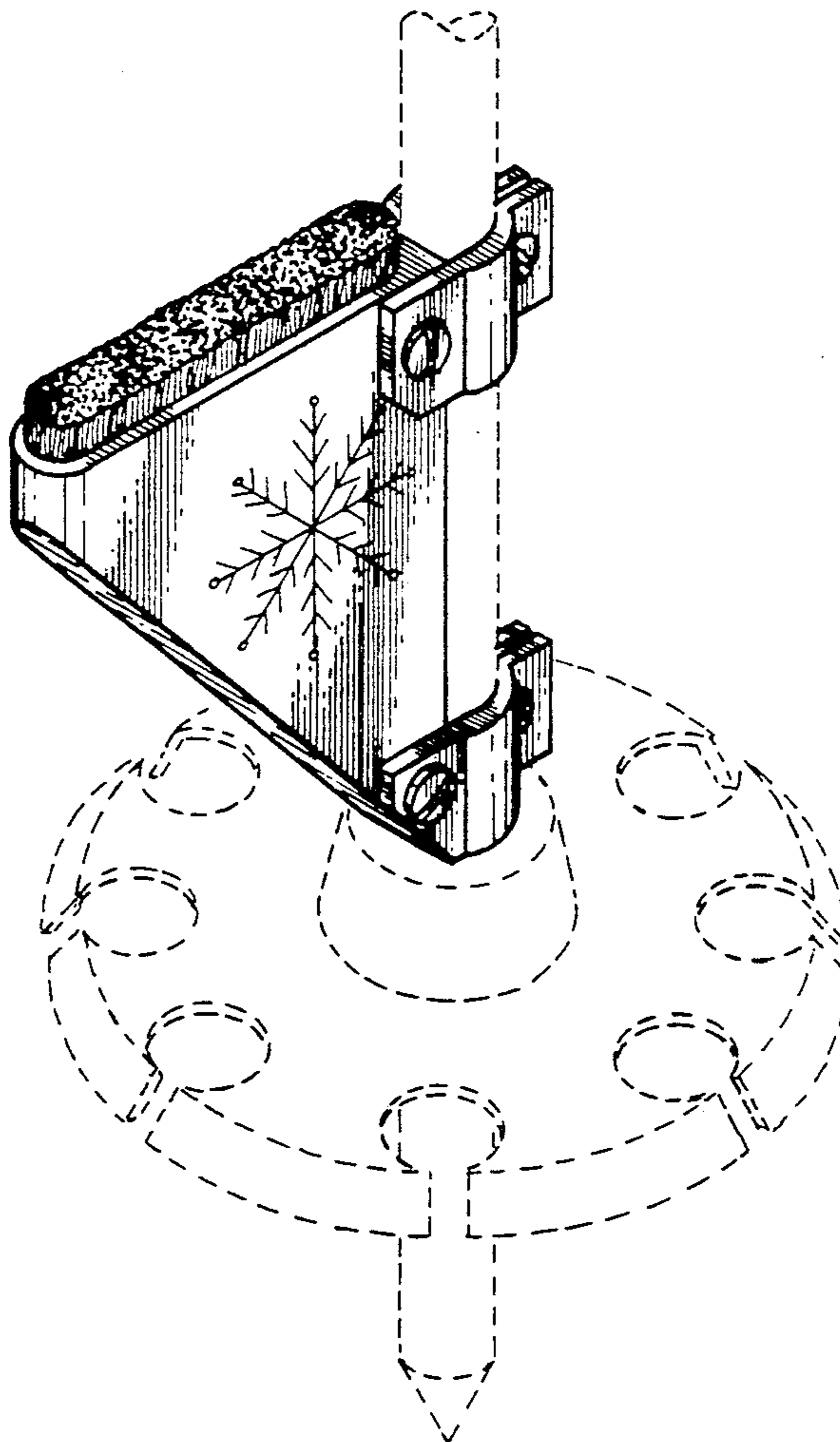
FIG. 1 is a front elevational view of a brush for cleaning ski boots showing my new design;

FIG. 2 is a perspective view thereof, the broken line showing of a ski pole being for illustrative purposes only and forming no part of the claimed design;

FIG. 3 is an end elevational view as seen from the left of FIG. 1; and,

FIG. 4 is a top plan view thereof.

The undisclosed rear is adorned with the same surface ornamentation shown on the front and follows the contour shown from the left of FIG. 3.



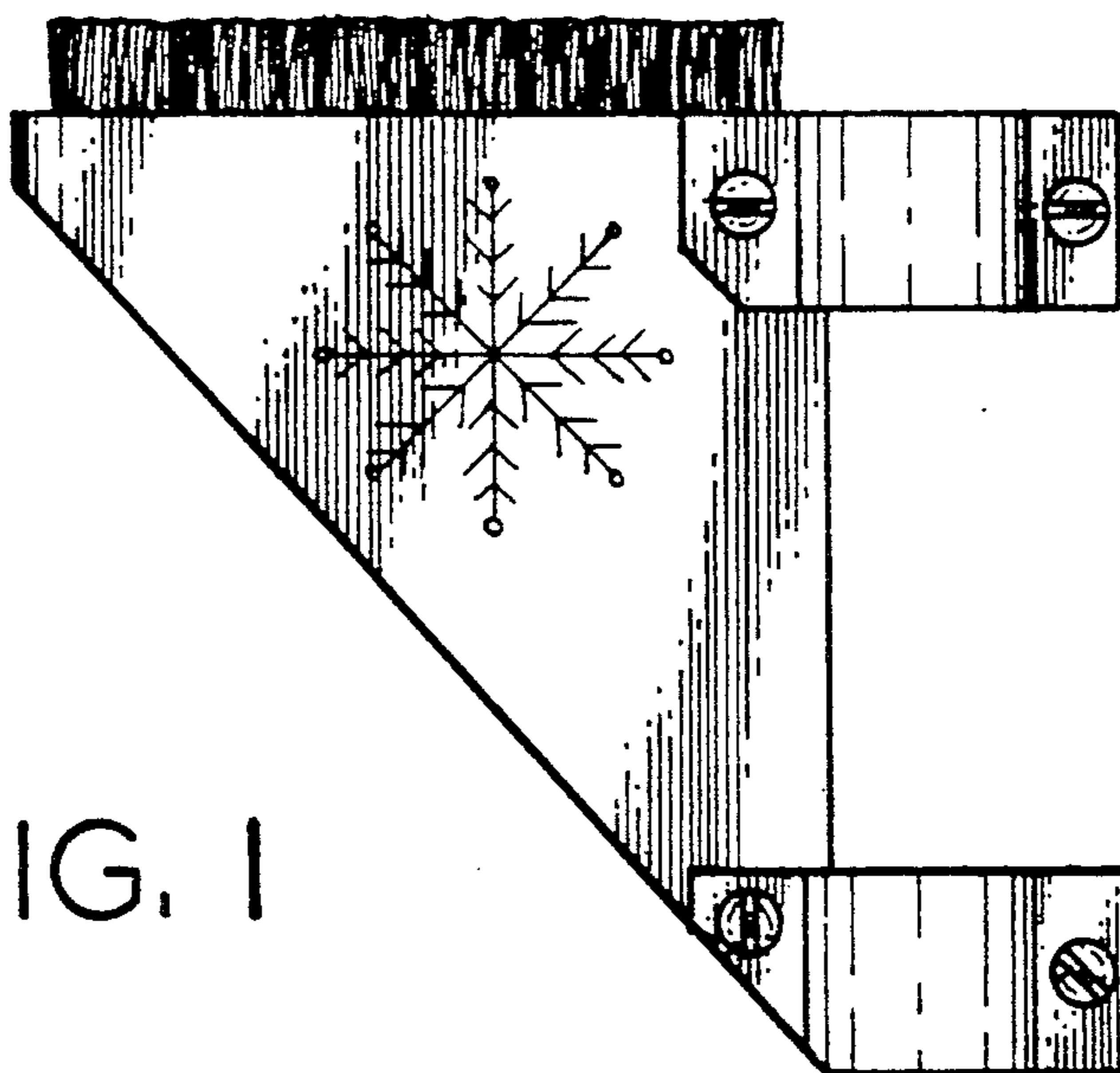


FIG. 1

