



US00D327368S

United States Patent [19]

[11] Patent Number: **Des. 327,368**

Zierhut

[45] Date of Patent: **** Jun. 30, 1992**

[54] **COLLAPSIBLE BRUSH**
 [75] Inventor: **Clarence D. Zierhut, Richardson, Tex.**
 [73] Assignee: **Introdyne, Inc., Dallas, Tex.**
 [**] Term: **14 Years**
 [21] Appl. No.: **241,315**
 [22] Filed: **Sep. 7, 1988**
 [52] U.S. Cl. **D4/121; D4/136**
 [58] Field of Search **D4/121, 130, 132, 134-138, D4/199; 15/143 R, 159 R, 159 A, 160, 177-178, 184-188, 201-203**

3,421,171 1/1969 Tsuruzawa 15/160 X
 3,765,049 10/1973 Green et al. 15/169
 4,214,340 7/1980 Youngberg et al. 15/184
 4,498,211 2/1985 Bottolfson 15/203

Primary Examiner—Wallace R. Burke
Assistant Examiner—Lavone D. Tabor
Attorney, Agent, or Firm—Price, Heneveld, Cooper, DeWitt & Litton

[57] CLAIM

An ornamental design for a collapsible brush, as shown and described.

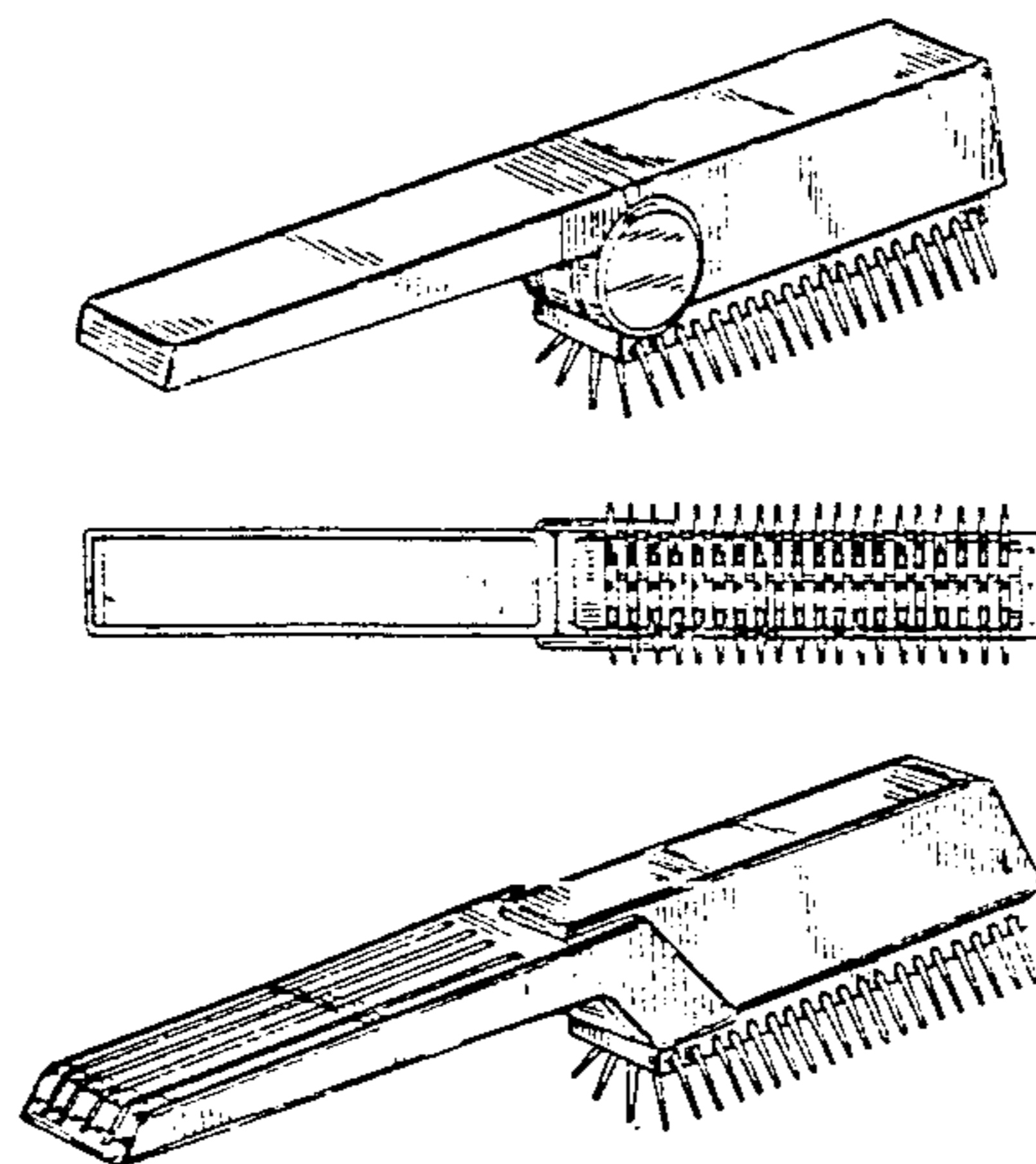
DESCRIPTION

FIG. 1 is a top perspective view of a collapsible brush showing my new design;
 FIG. 2 is a top perspective view thereof shown in collapsed position;
 FIG. 3 is a bottom plan view thereof with the handle and bristles extended;
 FIG. 4 is a side elevational view thereof shown in collapsed position, the opposite side being a mirror image;
 FIG. 5 is a front elevational view thereof;
 FIG. 6 is a rear elevational view thereof;
 FIG. 7 is a top plan view thereof;
 FIG. 8 is a bottom plan view thereof;
 FIG. 9 is a rear elevational view thereof with the handle and bristles extended;
 FIG. 10 is a front elevational view thereof;
 FIG. 11 is a side elevational view thereof, the opposite side being a mirror image;
 FIG. 12 is a top perspective view of a second embodiment of the design shown in FIG. 1;
 FIG. 13 is a top perspective view thereof shown in collapsed position;
 FIG. 14 is a bottom plan view thereof with the handle and bristles extended;
 FIG. 15 is a side elevational view thereof shown in collapsed position, the opposite side being a mirror image;
 FIG. 16 is a front elevational view thereof;
 FIG. 17 is a rear elevational view thereof;
 FIG. 18 is a top plan view thereof;
 FIG. 19 is a bottom plan view thereof;
 FIG. 20 is a rear elevational view thereof with the handle and bristles extended;
 FIG. 21 is a front elevational view thereof; and,
 FIG. 22 is a side elevational view thereof, the opposite side being a mirror image.

[56] References Cited

U.S. PATENT DOCUMENTS

D. 227,520	7/1973	Fischer	D4/121
D. 238,316	1/1976	Kahn	D4/136
330,270	11/1885	Stehlin	.	
450,042	4/1891	Schulz	.	
560,662	5/1896	Tupper	.	
696,798	4/1902	Chambers	.	
818,696	4/1906	Kulenkampff	.	
1,141,662	6/1915	Bridges	.	
1,272,907	7/1918	Bridges	.	
1,302,247	4/1919	Troy	.	
1,353,597	11/1920	Tobias	.	
1,387,063	8/1921	Matsugaki	.	
1,388,955	8/1921	Kozlowsky et al.	.	
1,592,510	7/1926	Toepperwein	.	
1,627,200	5/1927	Pickar	.	
1,631,011	5/1927	Connor	.	
1,696,727	12/1928	Olmazu	.	
1,770,344	8/1930	Schmidt	15/185
1,889,182	11/1932	Rosenberg	.	
1,927,093	9/1933	Ingwersen et al.	15/184
1,949,671	3/1934	Zerilli	15/184
2,159,432	5/1939	Enns	15/185
2,427,559	9/1947	Johnson	15/184
2,611,916	9/1952	Peters	15/184
2,660,183	11/1953	Gruring	.	
2,671,238	3/1954	Nehrke	15/184
2,674,001	4/1954	Abrams et al.	15/184
2,792,582	5/1957	Gray	15/203
2,865,039	12/1958	Kaye et al.	15/184
2,916,756	12/1959	Peilet et al.	15/184
2,946,075	7/1960	Slaughter, Jr.	15/184
3,053,033	9/1962	Peilet et al.	15/184
3,065,482	11/1962	Bottler	15/203
3,065,757	11/1962	Peilet	.	
3,205,523	9/1965	Seaver	15/184



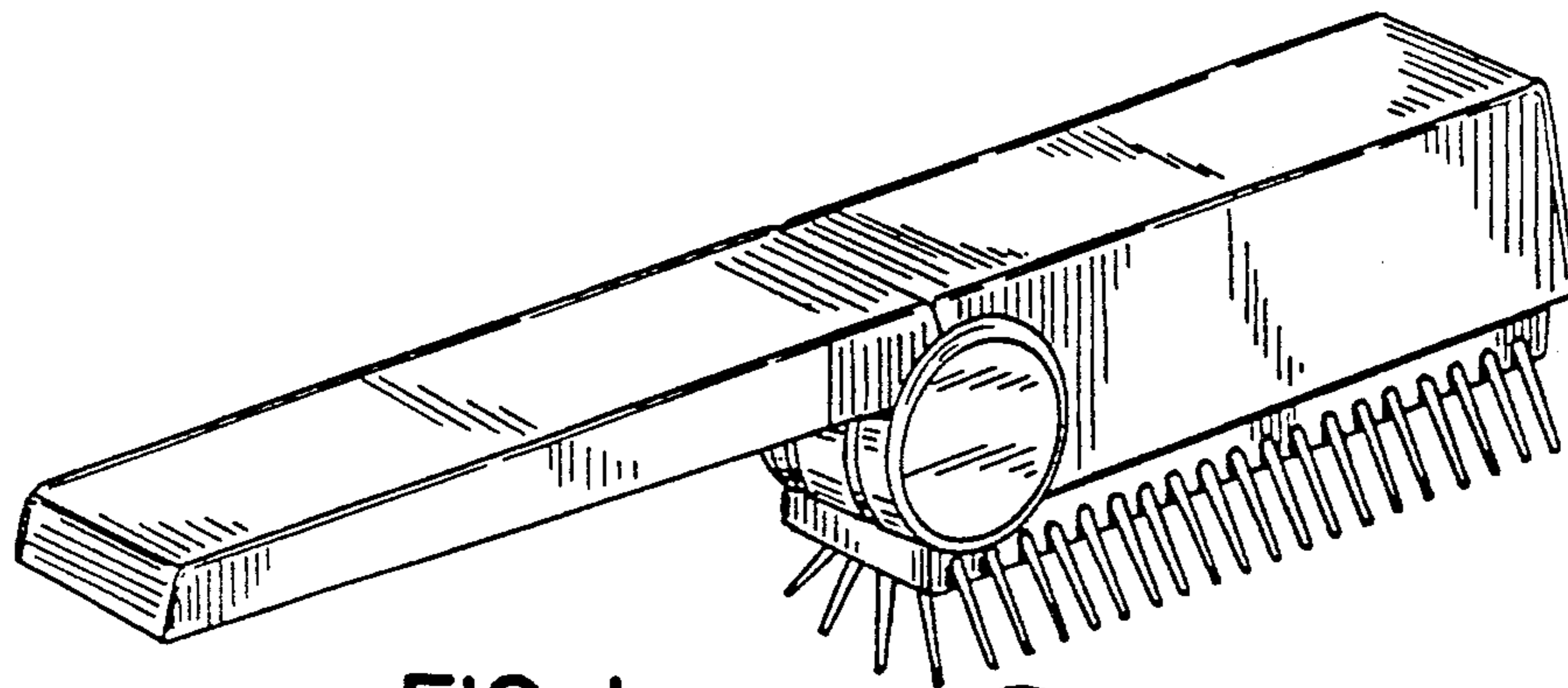


FIG. 1

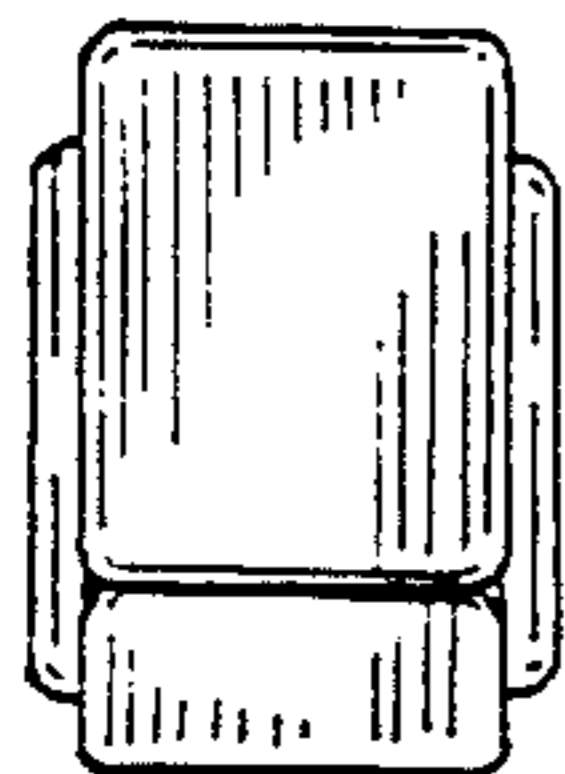


FIG. 5

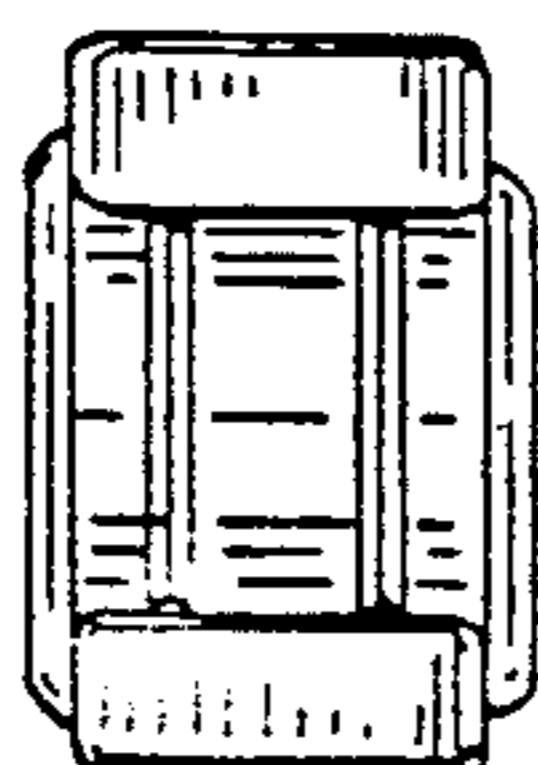


FIG. 6

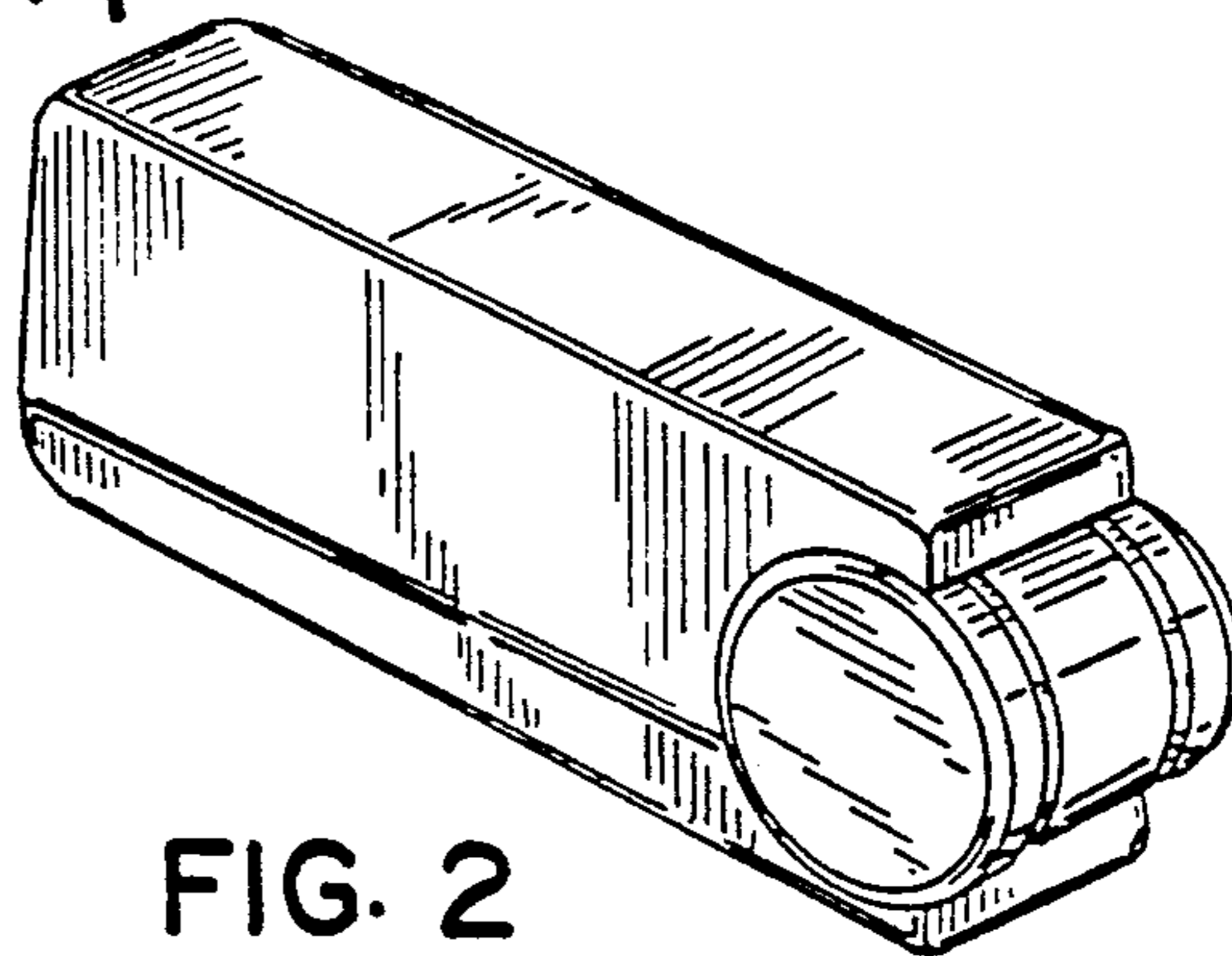


FIG. 2

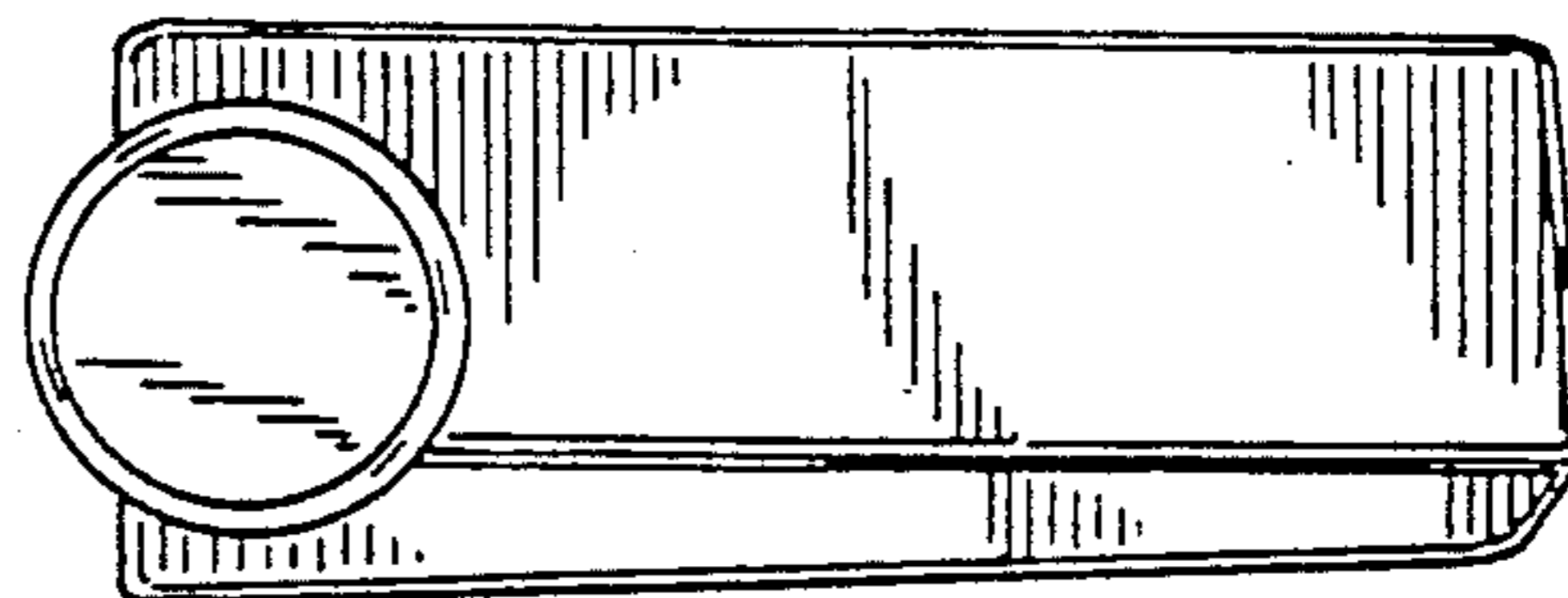


FIG. 4

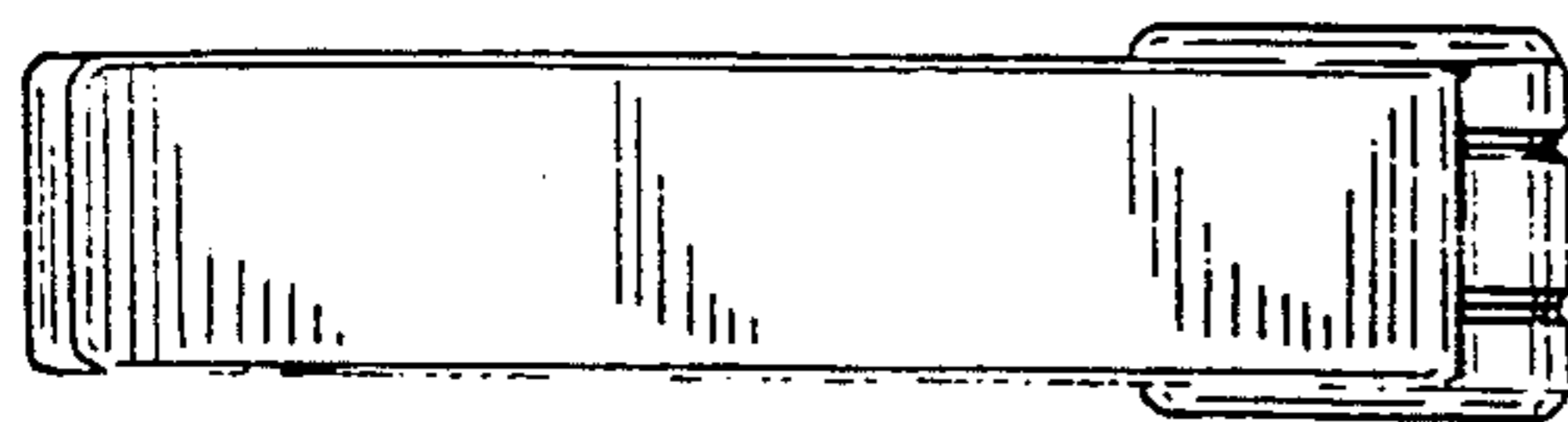


FIG. 7

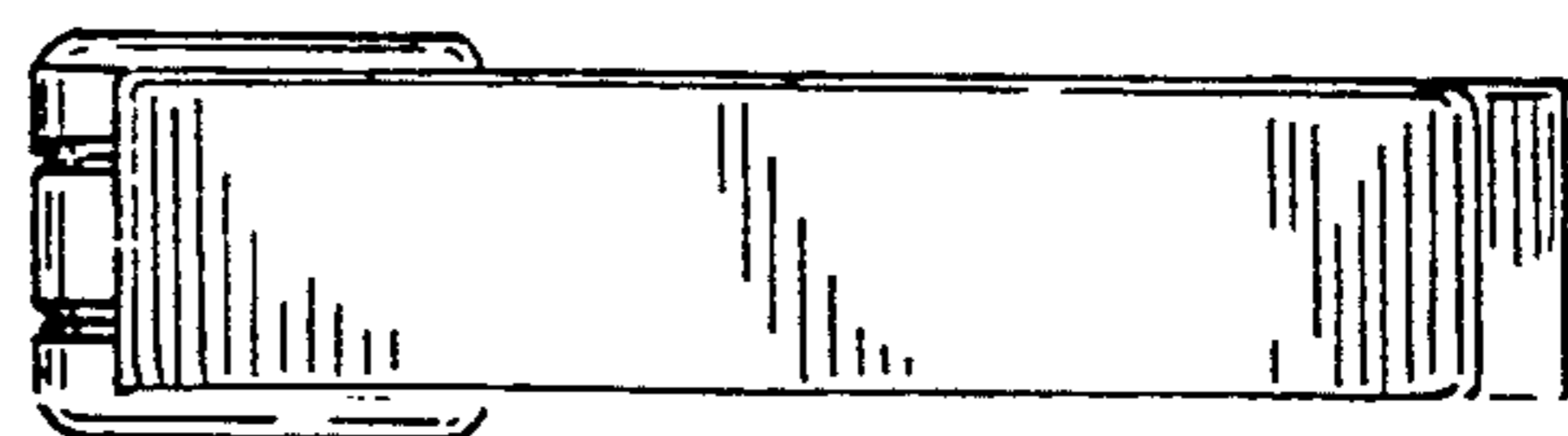


FIG. 8

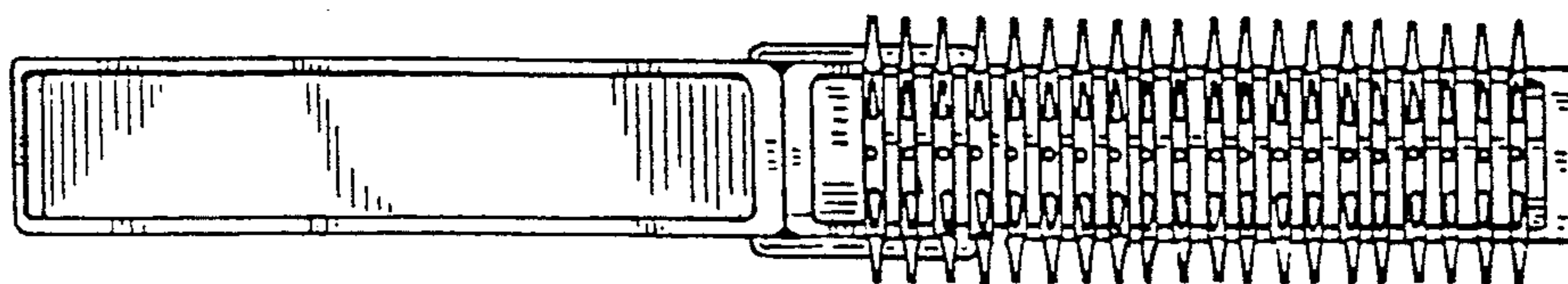


FIG. 3

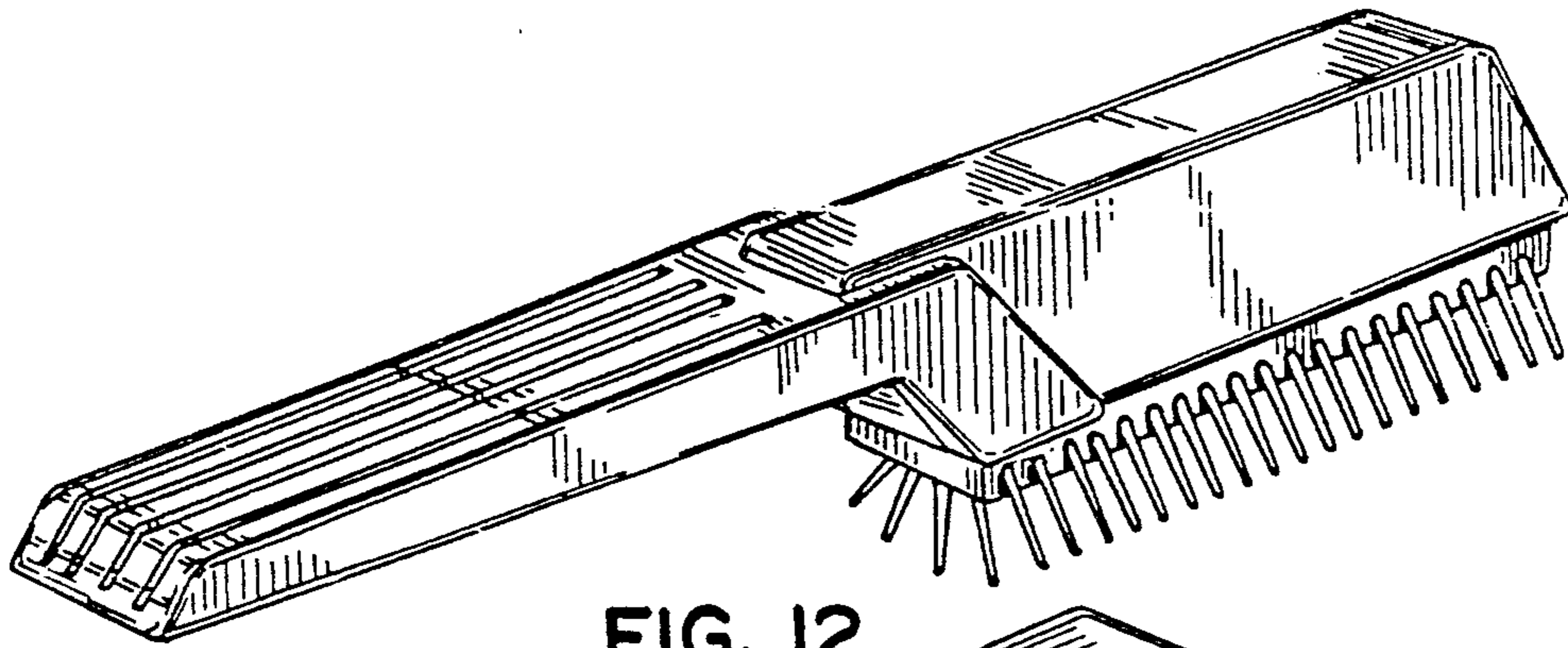


FIG. 12

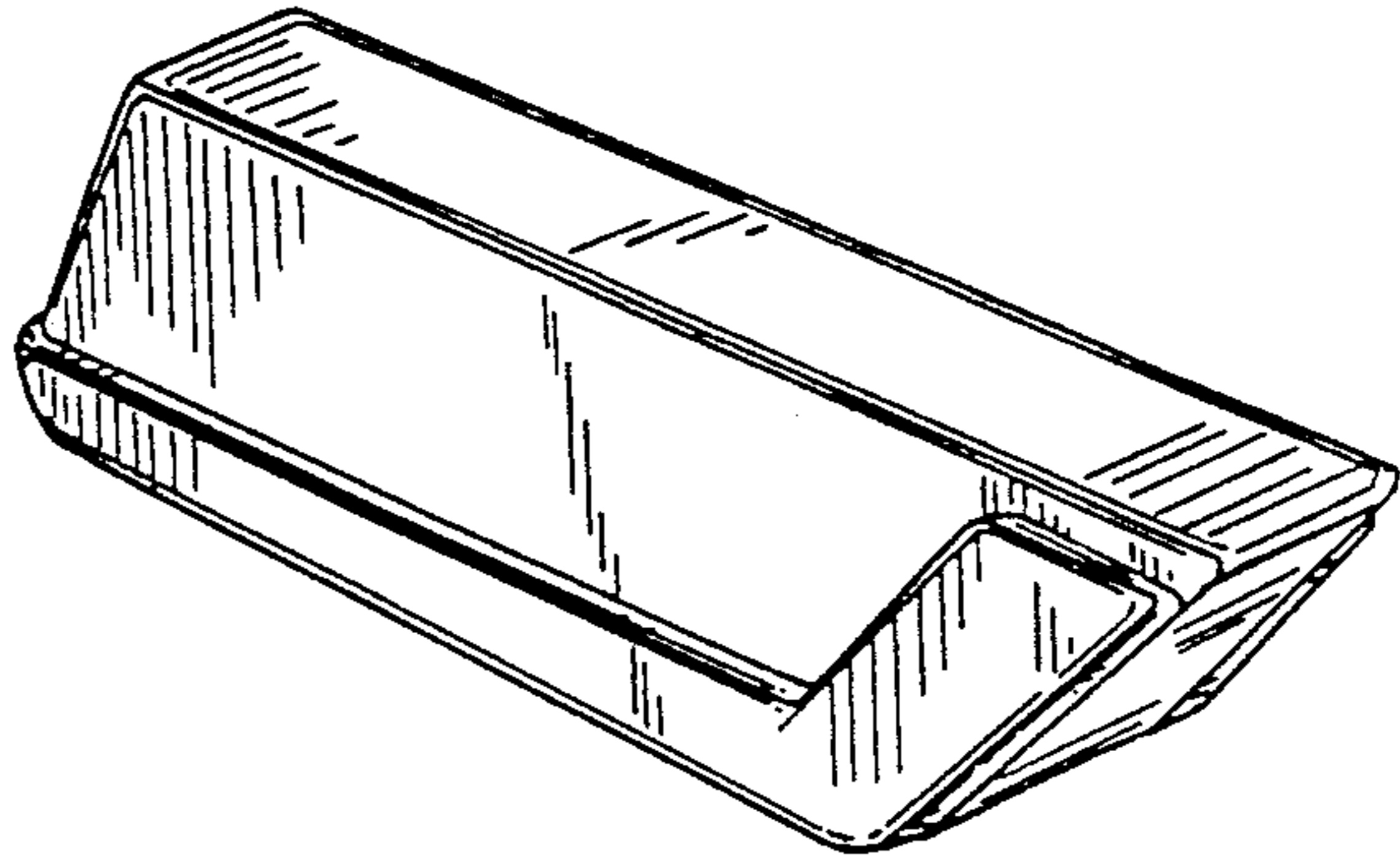


FIG. 13

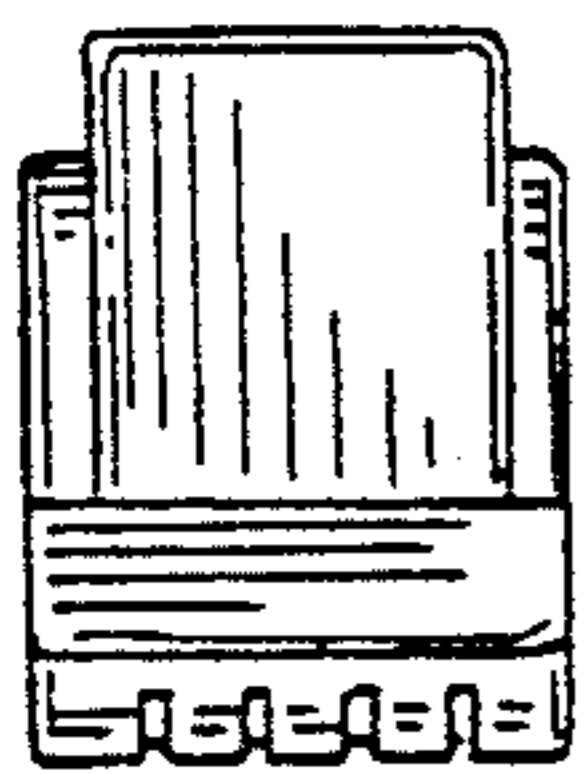


FIG. 16

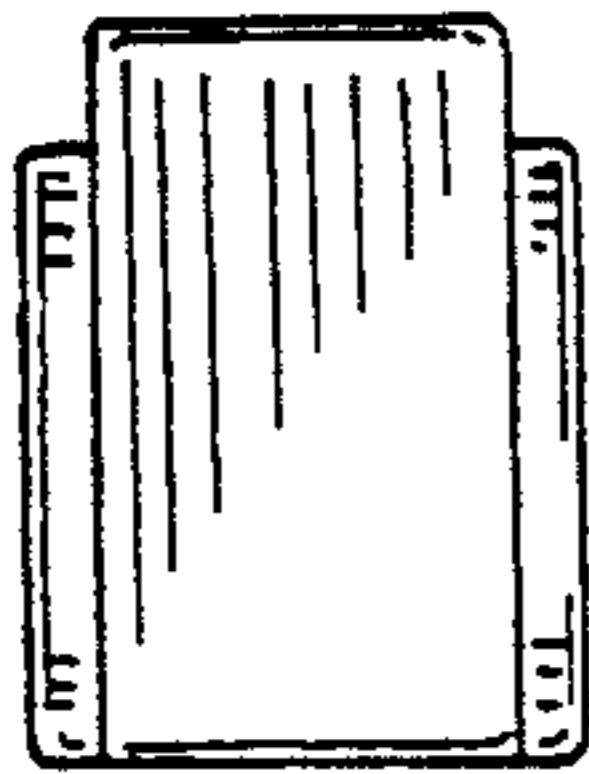


FIG. 17

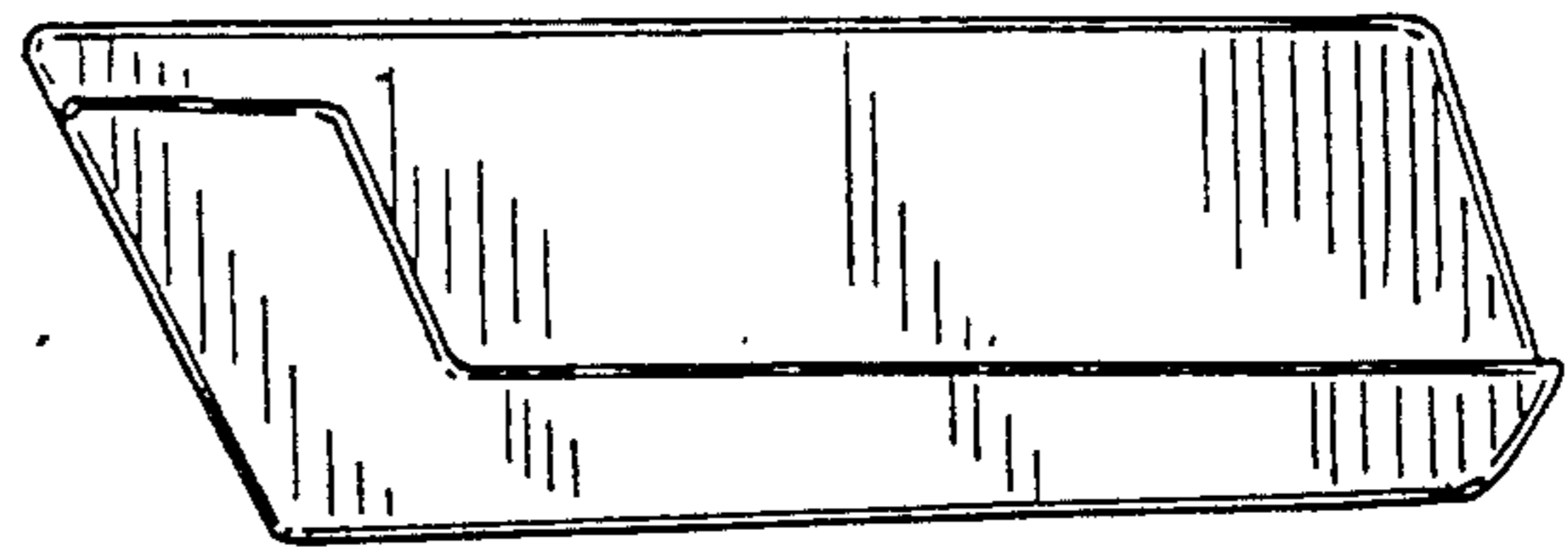


FIG. 15

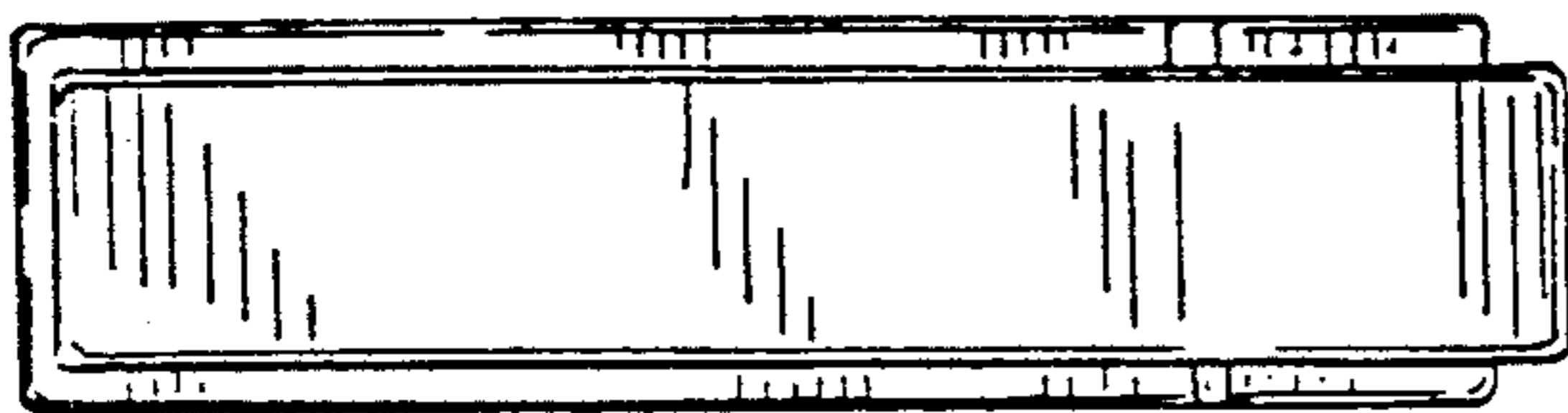


FIG. 18

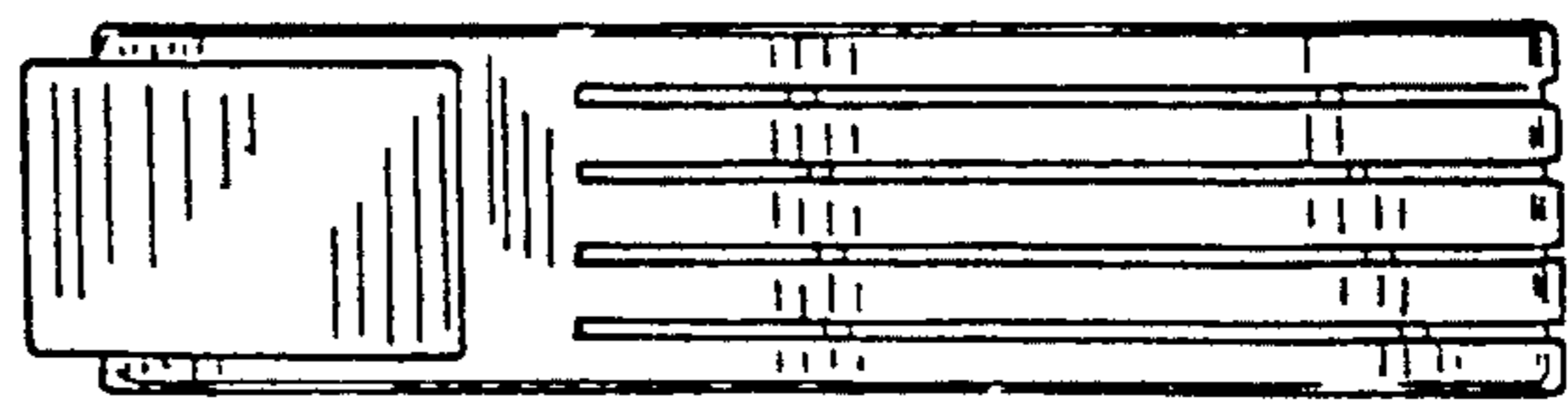


FIG. 19

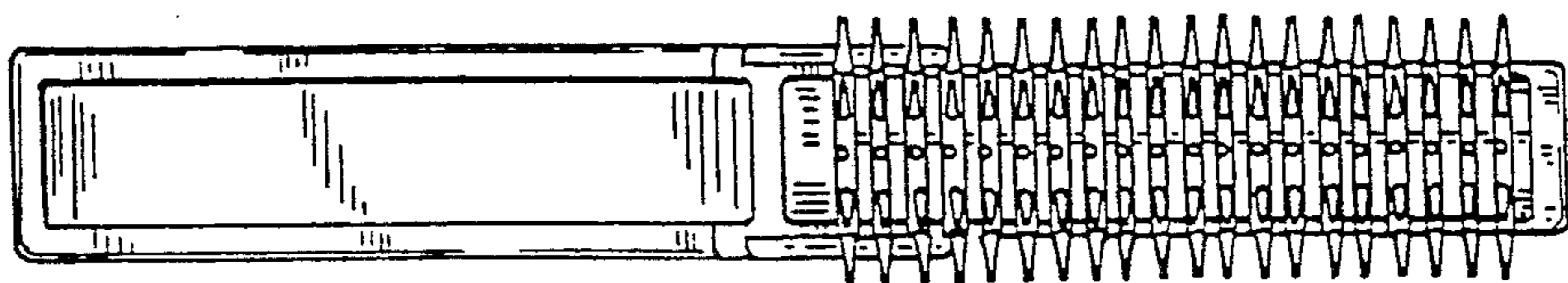


FIG. 14

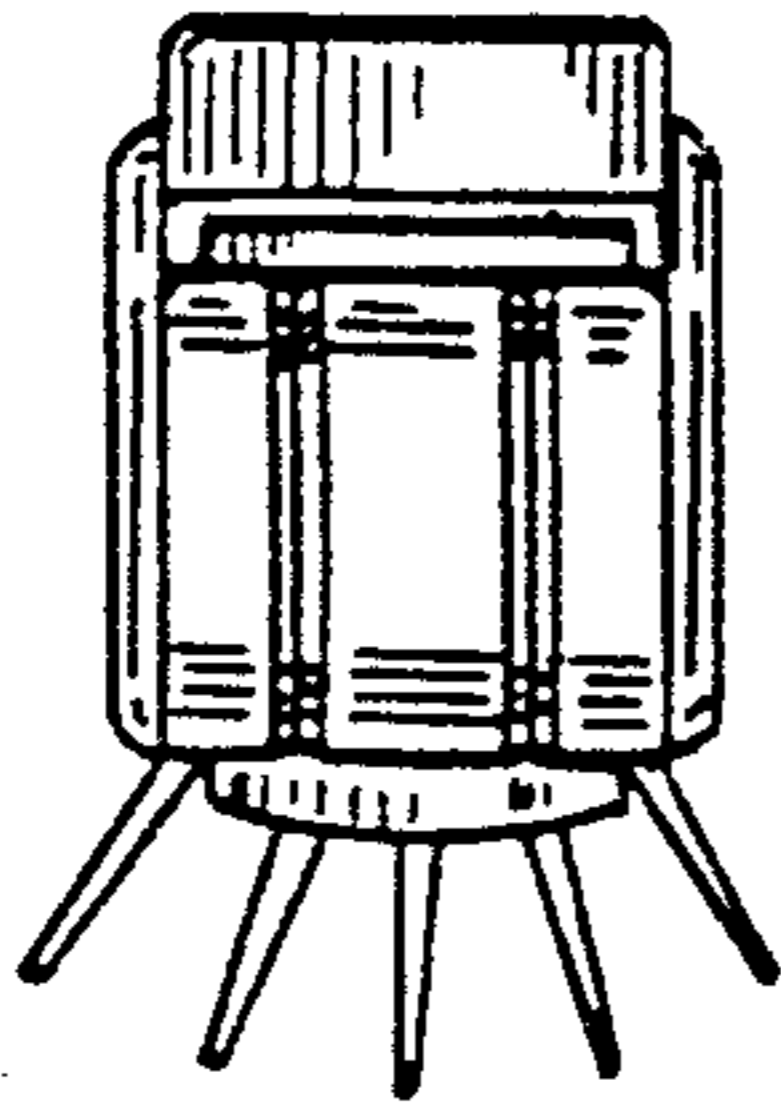


FIG. 9

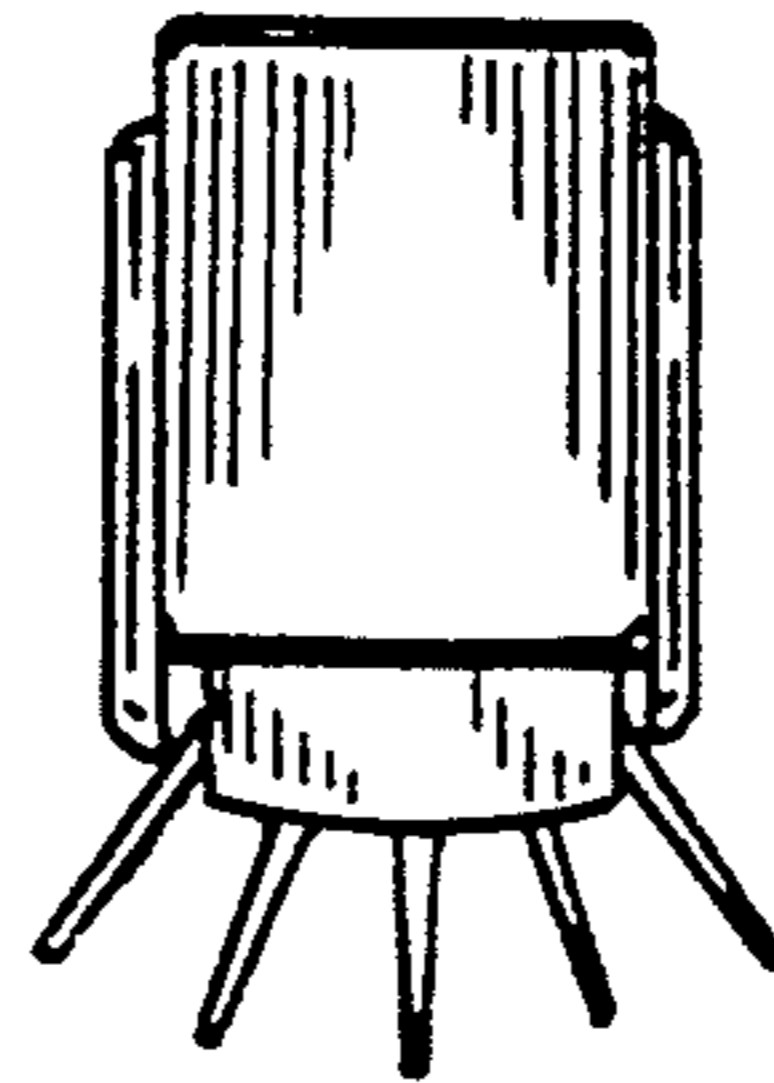


FIG. 10

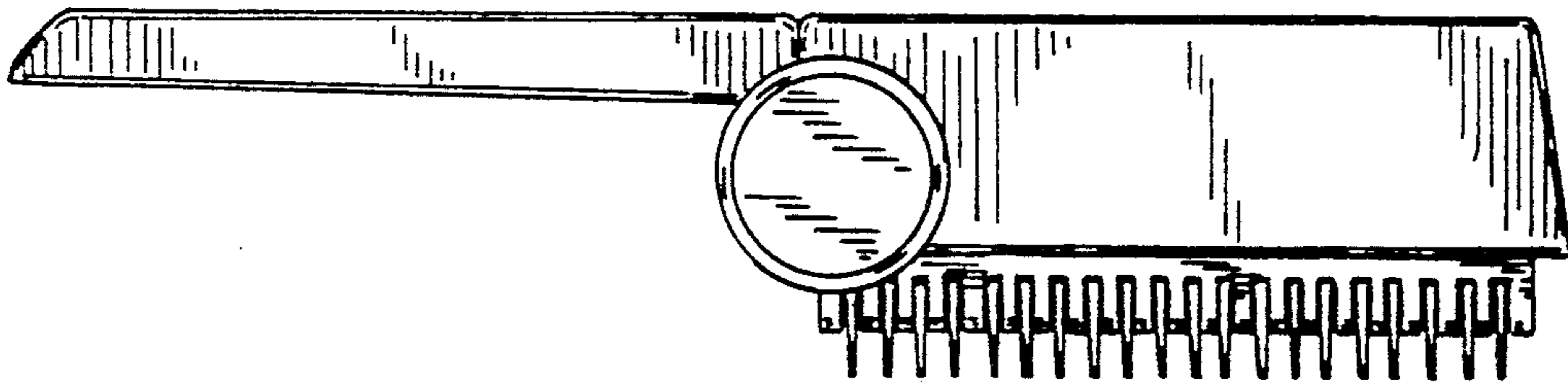


FIG. 11

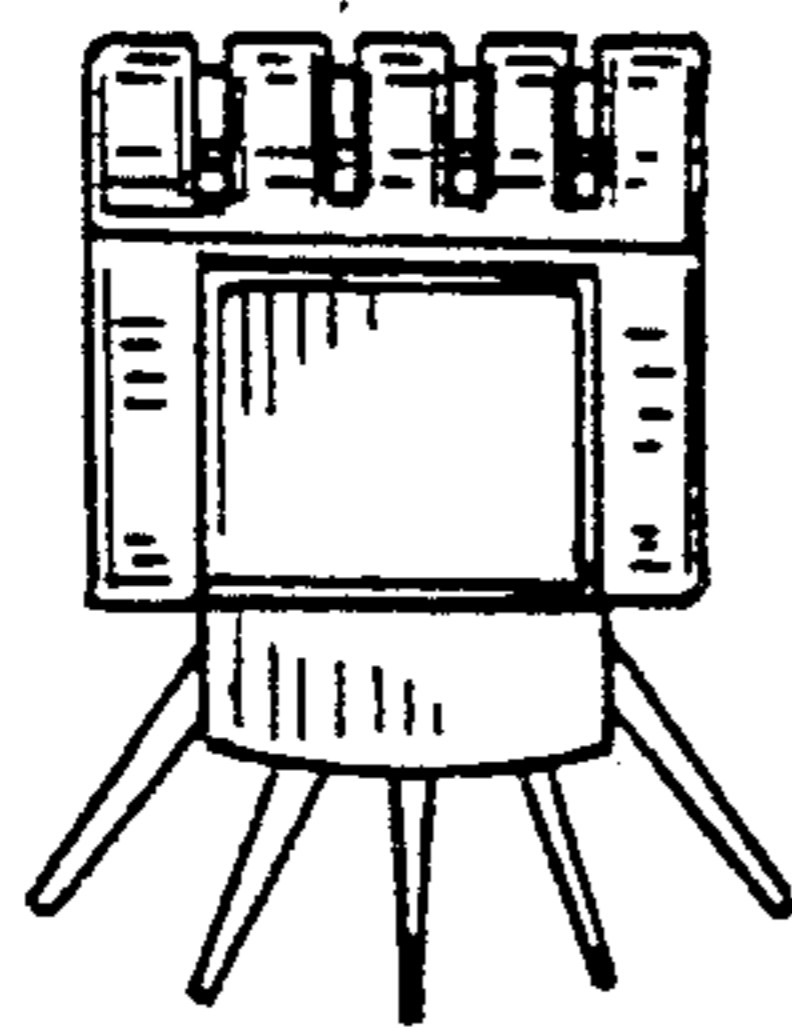


FIG. 20

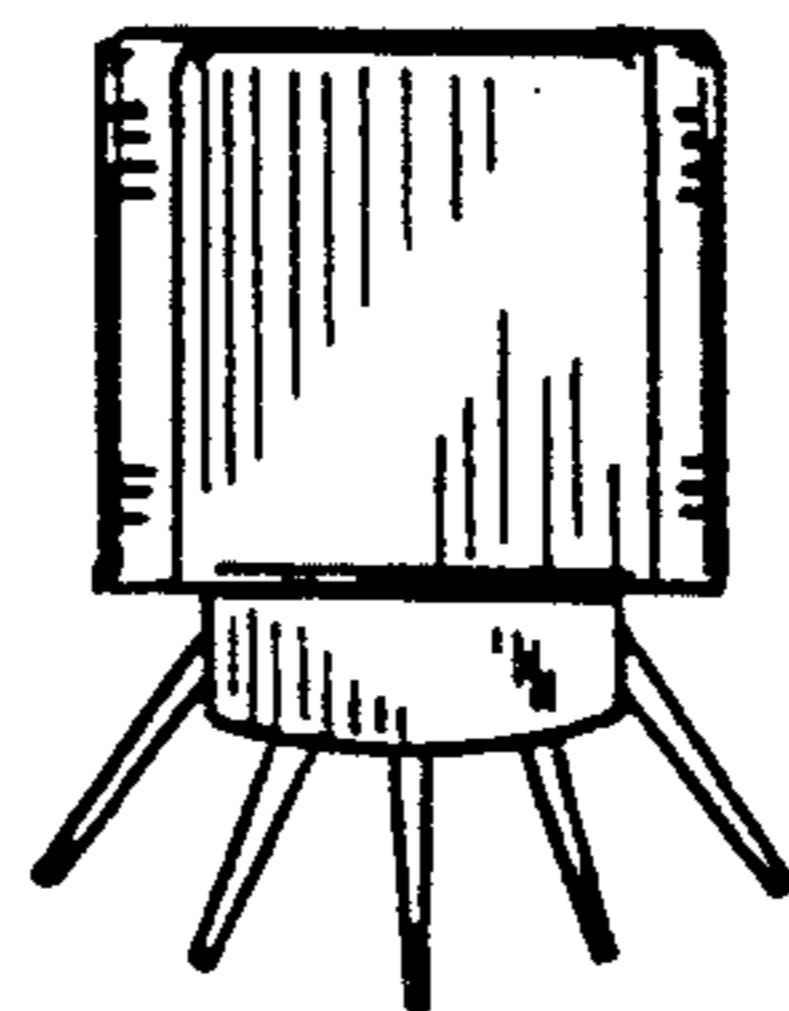


FIG. 21

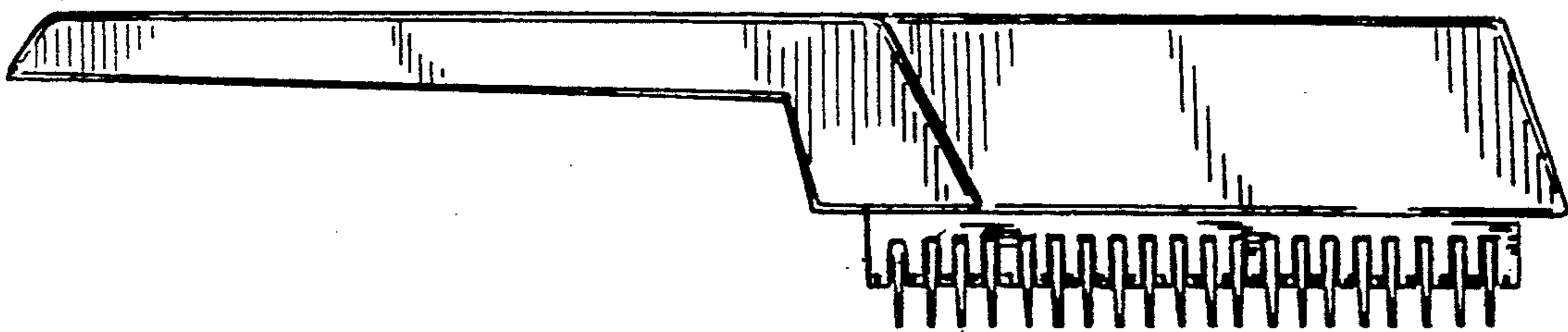


FIG. 22