



US00D327367S

United States Patent [19]

Carrow et al.

[11] Patent Number: **Des. 327,367**

[45] Date of Patent: **** Jun. 30, 1992**

[54] SECURITY HOLSTER

[76] Inventors: **Patrick Carrow**, 241 Park Ave.,
Orange, N.J. 07050; **Gerald A. Mauriello**, 29 Lancaster Rd.,
Colonia, N.J. 07067

[**] Term: **14 Years**

[21] Appl. No.: **511,000**

[22] Filed: **Apr. 19, 1990**

[52] U.S. Cl. **D3/101; D3/100**

[58] Field of Search **D3/100-106;**
224/253, 193, 191, 228, 230, 252, 904, 911, 912,
182, 226, 195, 235, 236, 239, 148, 242, 243, 244;
190/115

[56] **References Cited**

U.S. PATENT DOCUMENTS

307.655	11/1884	Jacob	224/252
D. 311.277	10/1990	Cupp	D3/101
944,355	12/1909	Beasley	224/191
1,217,736	2/1917	Fisher	224/228

3,250,448	5/1966	Clark	224/253 X
4,312,466	1/1982	Clark	224/243
4,318,503	3/1982	Capano	224/244
4,463,884	8/1984	Parlante	224/243
4,467,946	8/1984	Brown	224/252
4,667,374	5/1987	Blanchi	224/253 X
5,012,965	5/1991	Miller	224/230 X

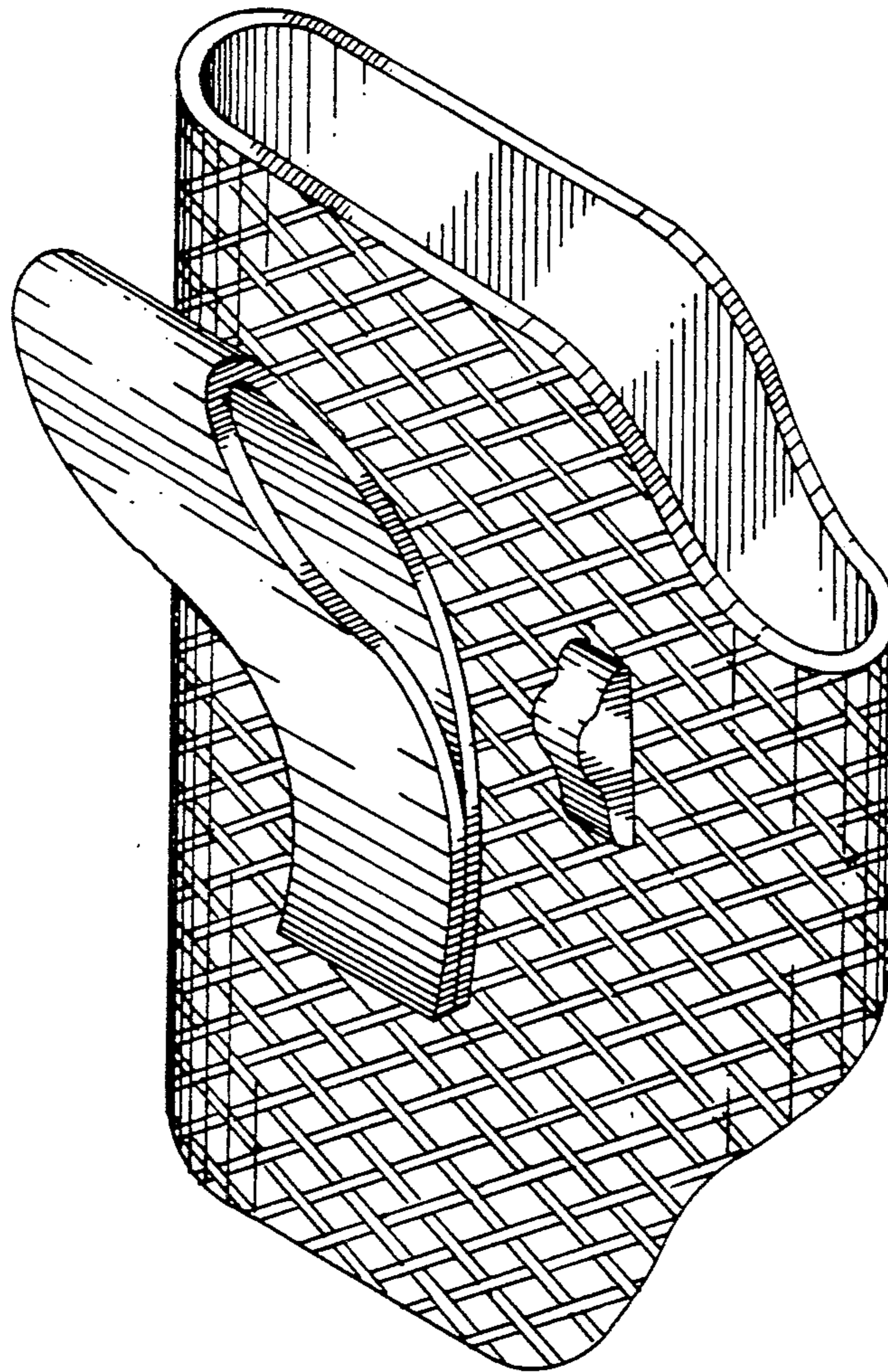
Primary Examiner—Donald P. Walsh
Assistant Examiner—M. N. Pandozzi
Attorney, Agent, or Firm—Terry M. Gernstein

[57] CLAIM

The ornamental design for a security holster, as shown and described.

DESCRIPTION

FIG. 1 is a top, front, right side perspective view of a security holster showing my design;
FIG. 2 is a front elevational view thereof;
FIG. 3 is a right side elevational view thereof;
FIG. 4 is a left side elevational view thereof;
FIG. 5 is a rear elevational view thereof;
FIG. 6 is a top plan view thereof; and,
FIG. 7 is a bottom plan view thereof.



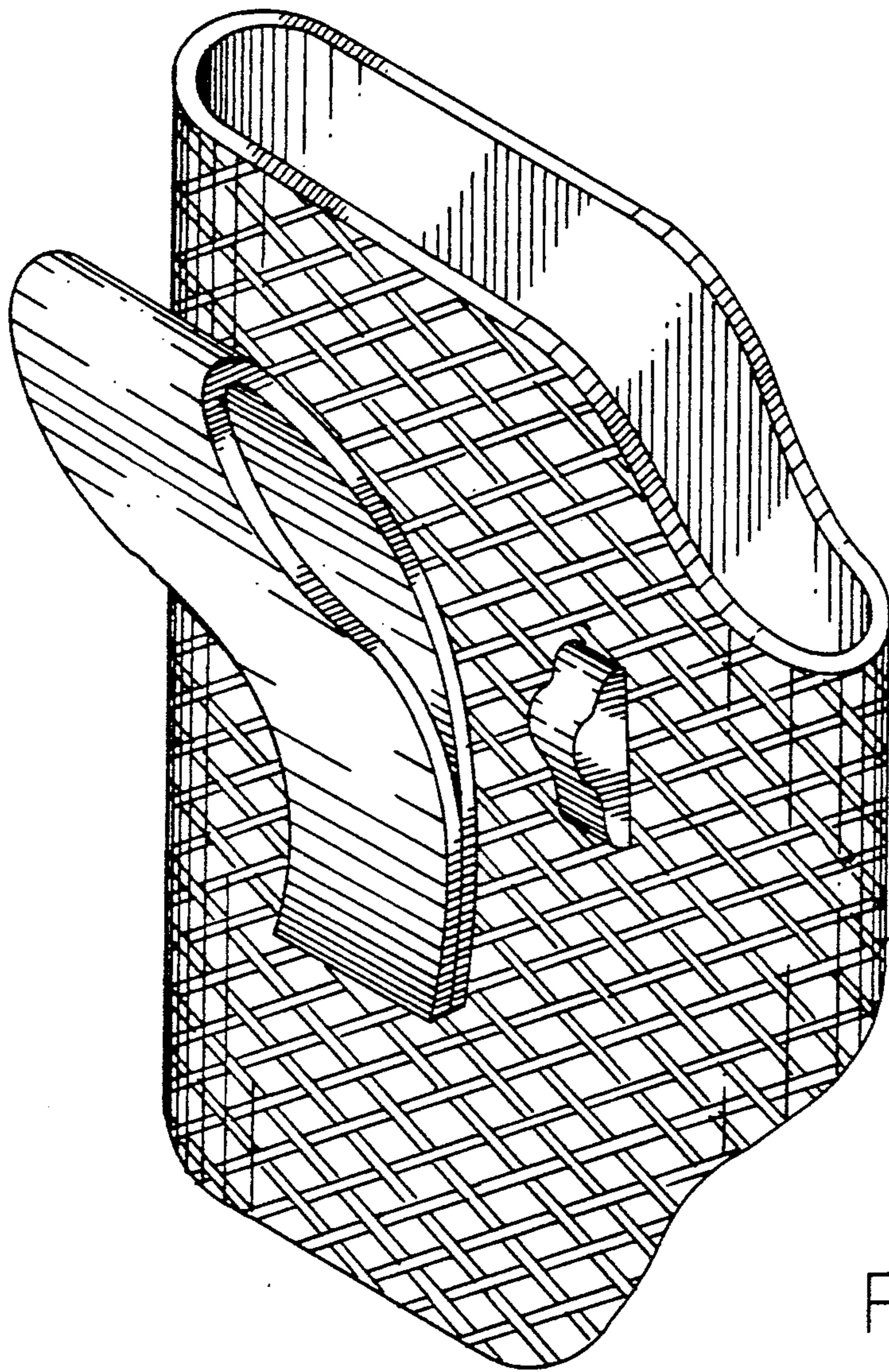


FIG. 1

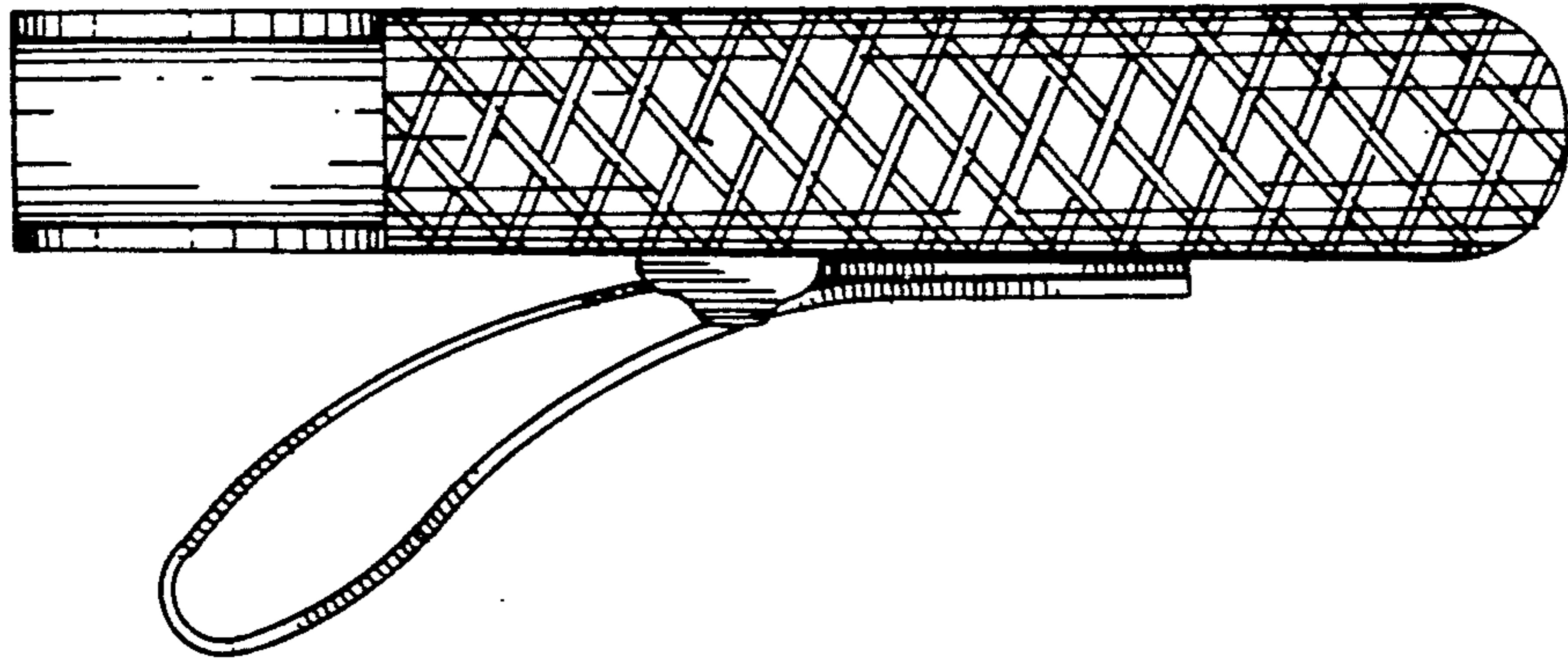


FIG. 3

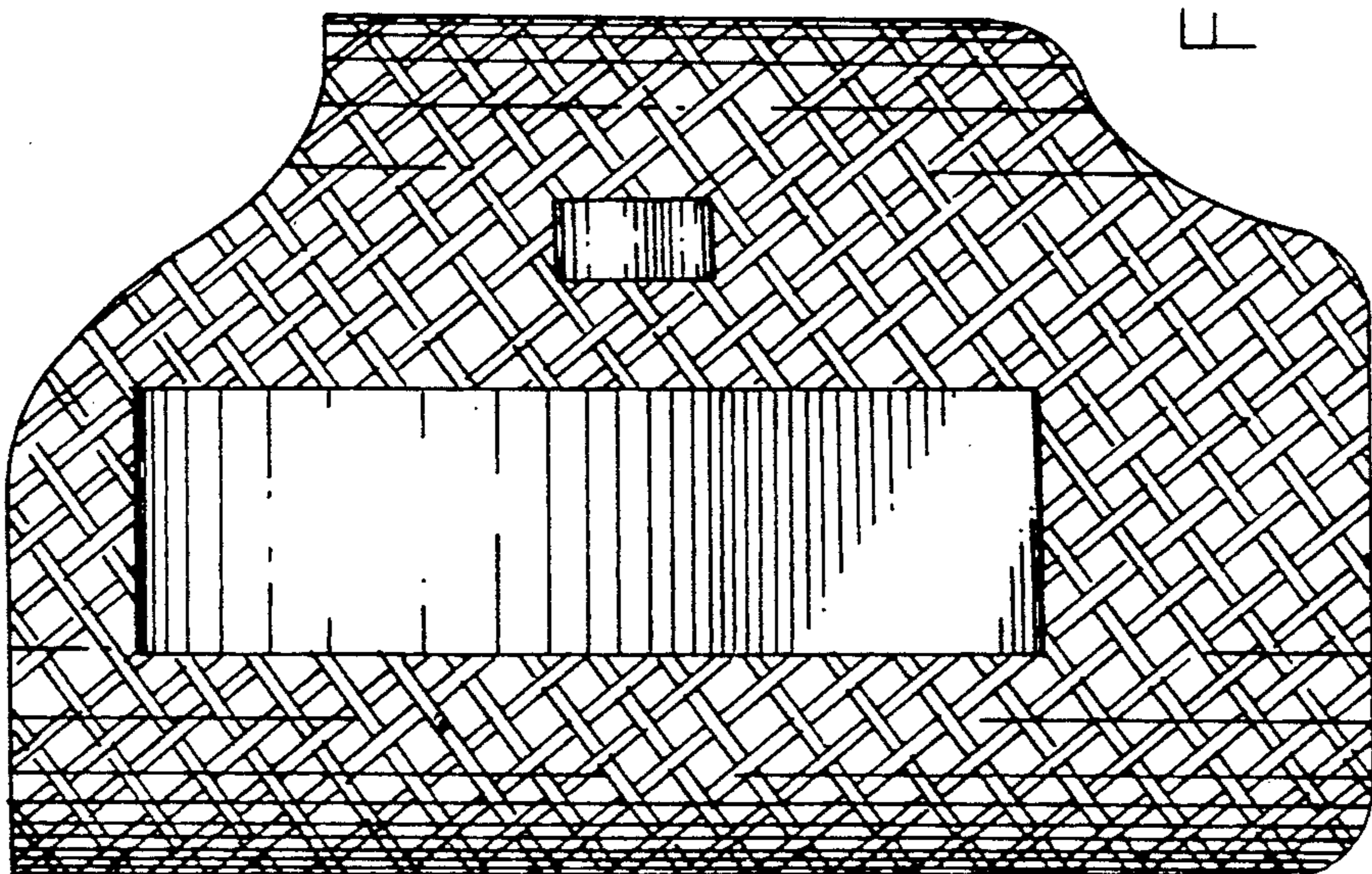


FIG. 2

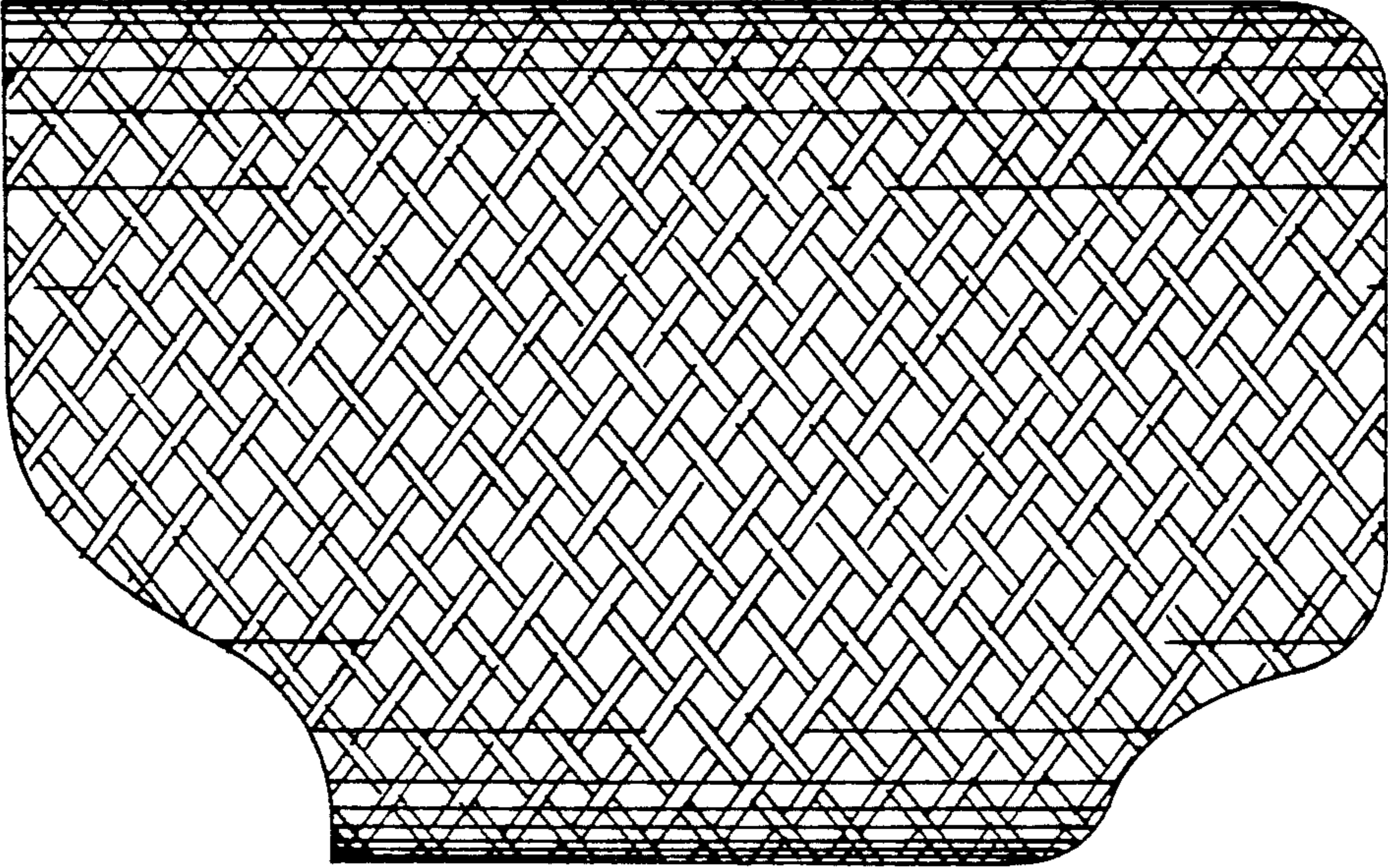


FIG 5

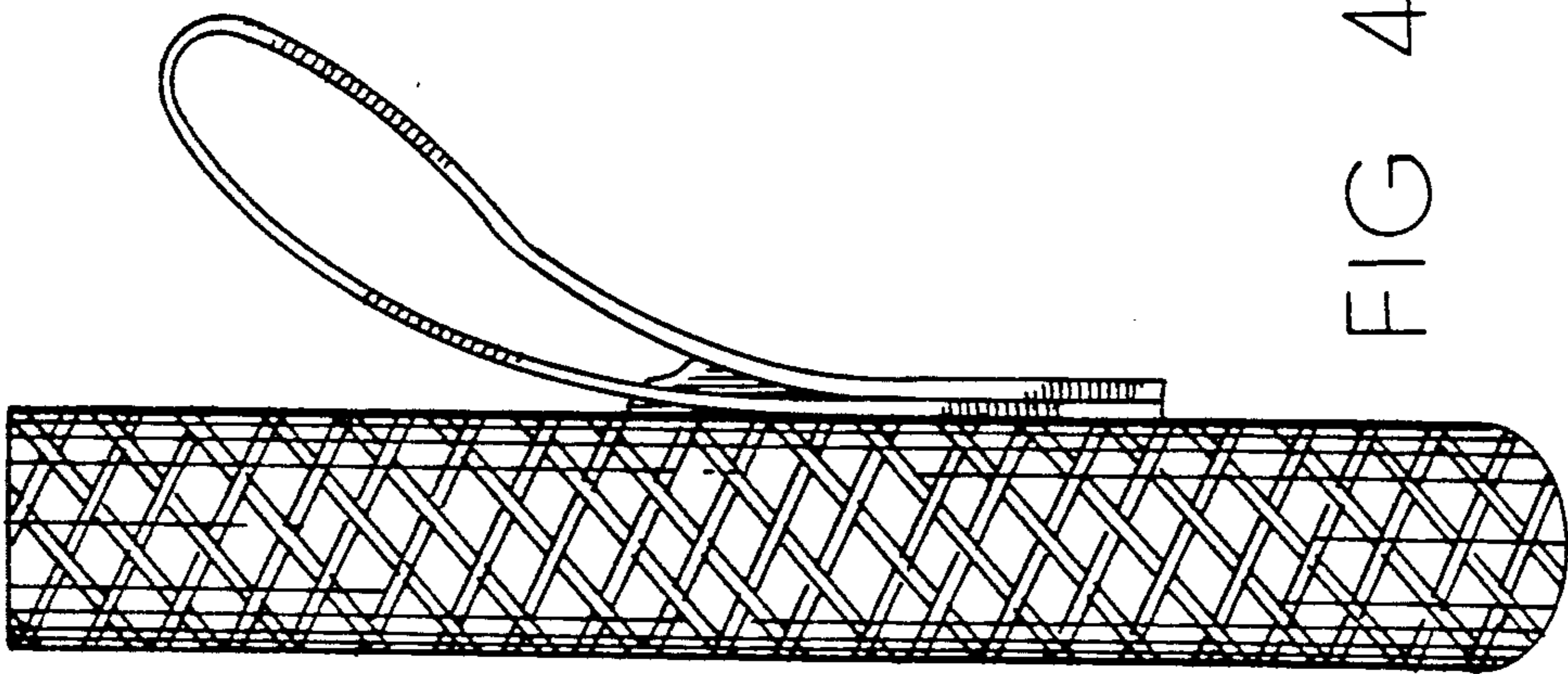


FIG 4

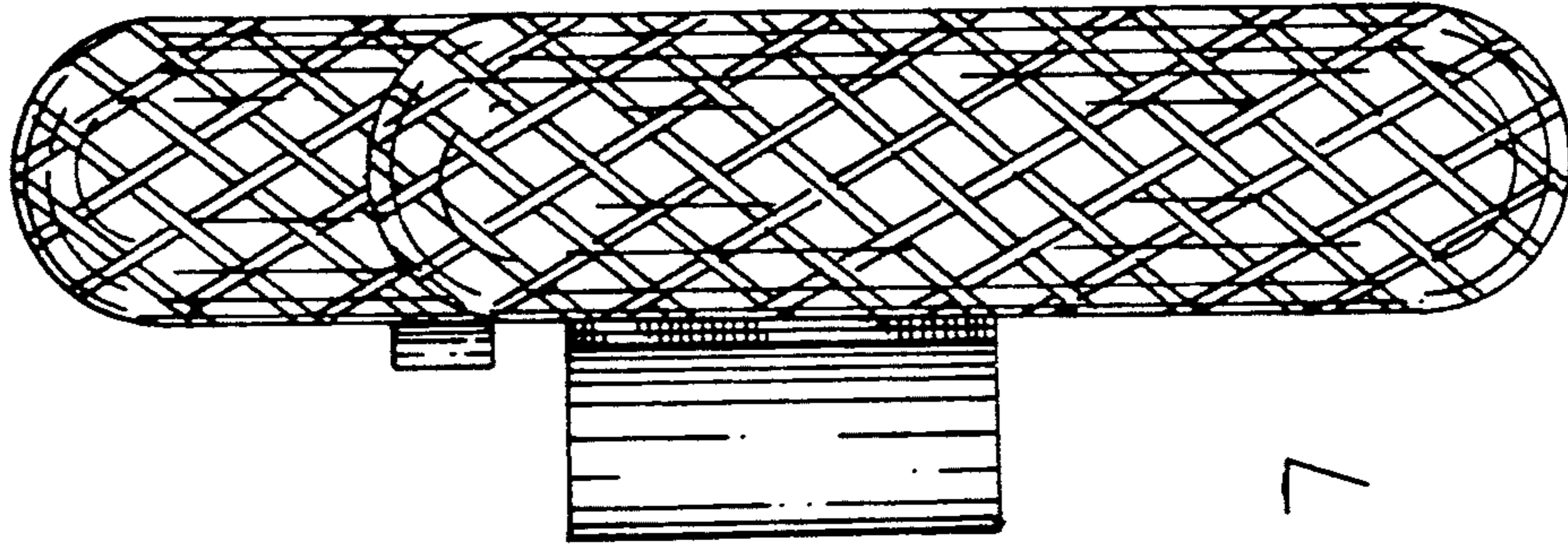


FIG. 7

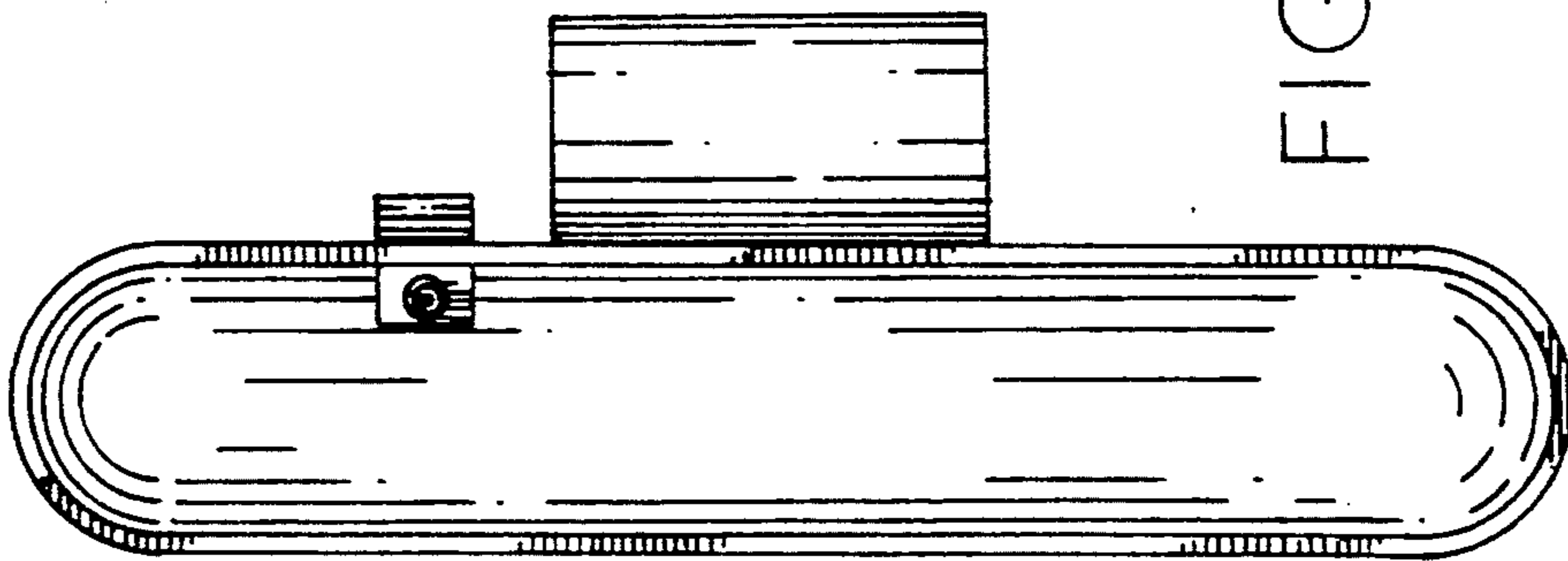


FIG. 6