



US00D327364S

# United States Patent [19] Mankey

[11] Patent Number: **Des. 327,364**

[45] Date of Patent: **\*\* Jun. 30, 1992**

[54] **CAR CADDY**

D. 307,355 4/1990 Page, Jr. .... D3/40

[75] Inventor: **Neal N. Mankey, Charlotte, N.C.**

*Primary Examiner*—Louis S. Zarfes

[73] Assignee: **Allied Plastics, Inc., Gastonia, N.C.**

*Attorney, Agent, or Firm*—Bell, Seltzer, Park and Gibson

[\*\*] Term: **14 Years**

### [57] CLAIM

[21] Appl. No.: **488,754**

The ornamental design for a car caddy, as shown and described.

[22] Filed: **Mar. 5, 1990**

[52] U.S. Cl. .... **D3/40**

### DESCRIPTION

[58] Field of Search ..... **D3/35, 40; D12/155; 224/42.11, 42.42, 273, 275, 327, 329**

FIG. 1 is a front perspective view of a car caddy embodying my new design;

### [56] References Cited

#### U.S. PATENT DOCUMENTS

- D. 218,438 8/1970 Shook et al. .... D3/40
- D. 248,294 6/1978 McCutchen ..... D12/155
- D. 271,442 11/1983 Lehner ..... D3/40
- D. 271,634 12/1983 Rockwell ..... D3/40
- D. 295,450 4/1988 Iacovelli ..... D3/40

FIG. 2 is a side elevational view thereof;

FIG. 3 is a front elevational view thereof;

FIG. 4 is a top plan view thereof;

FIG. 5 is a front perspective view similar to FIG. 1, but with the cover of the top compartment shown in an open position; and,

FIG. 6 is a vertical sectional view taken substantially along line 6—6 in FIG. 4.

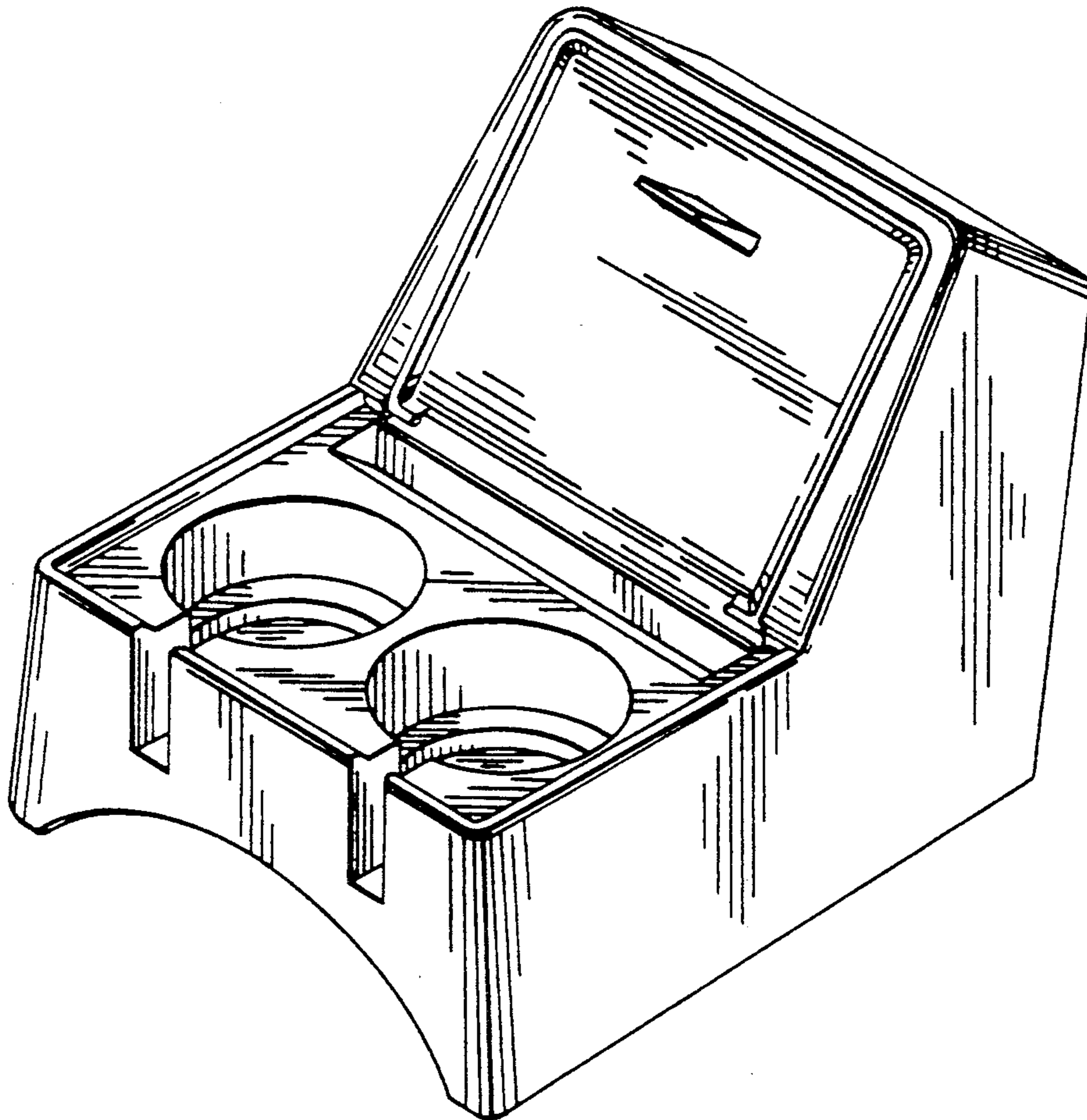


FIG. 1.

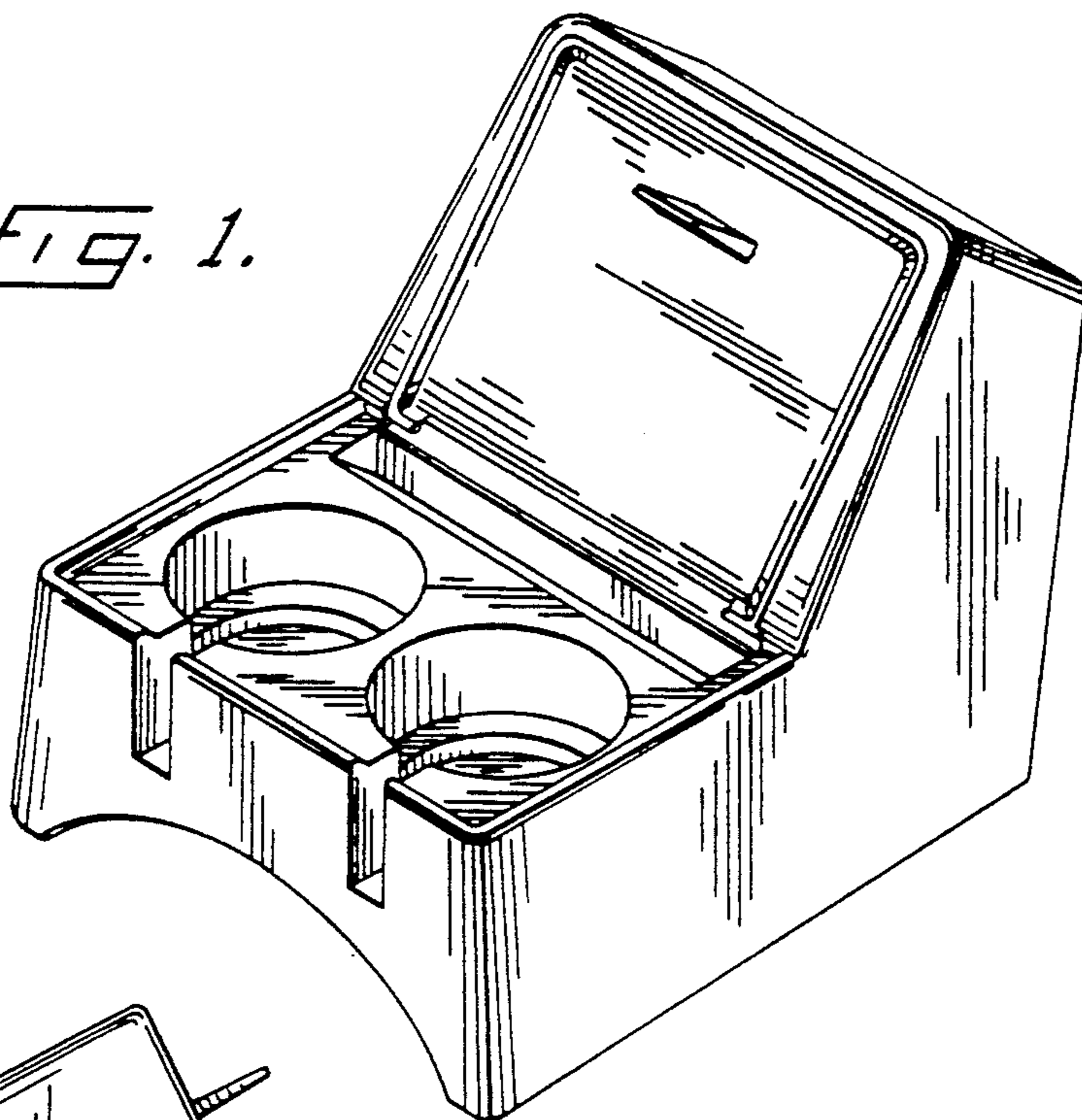


FIG. 2.

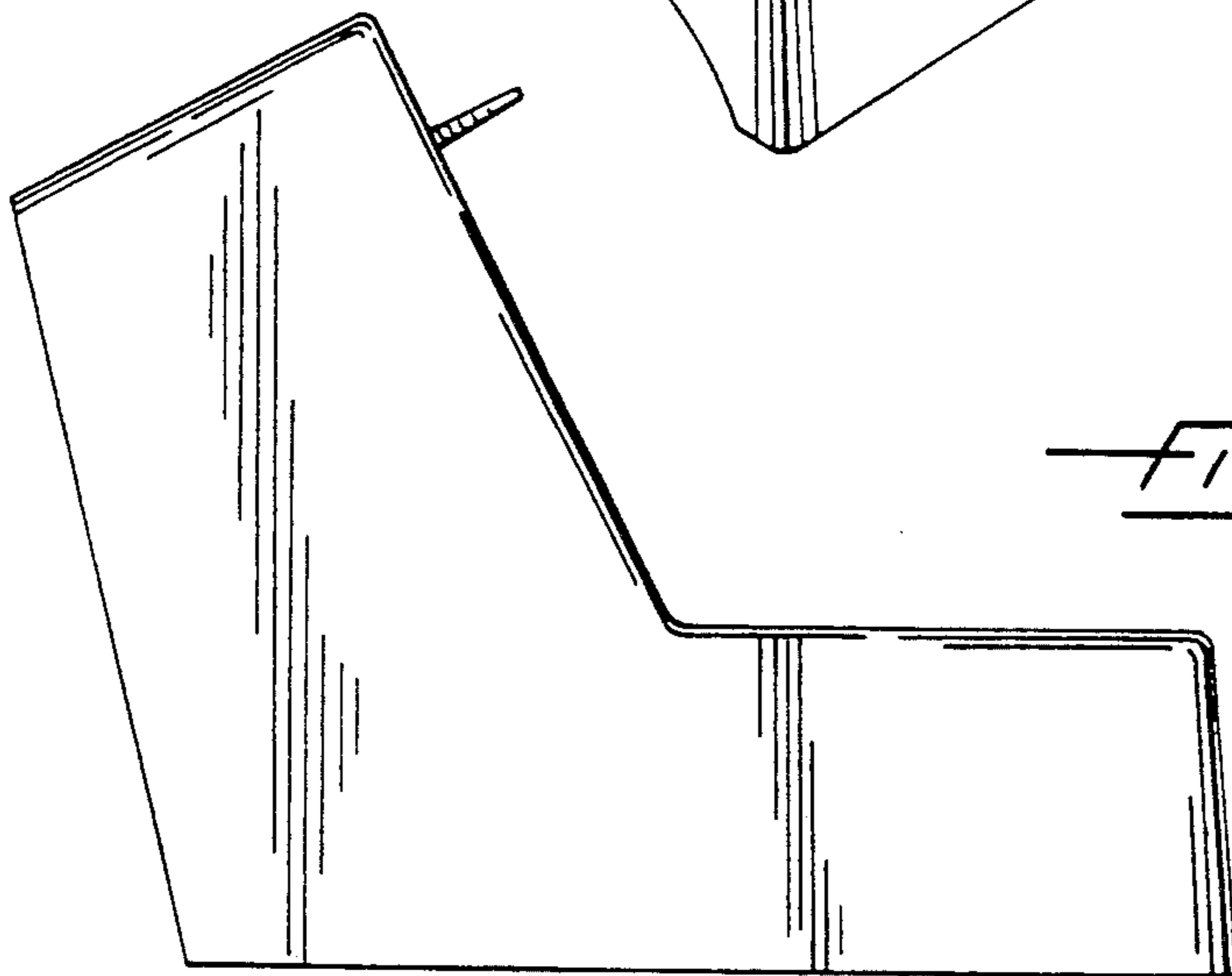
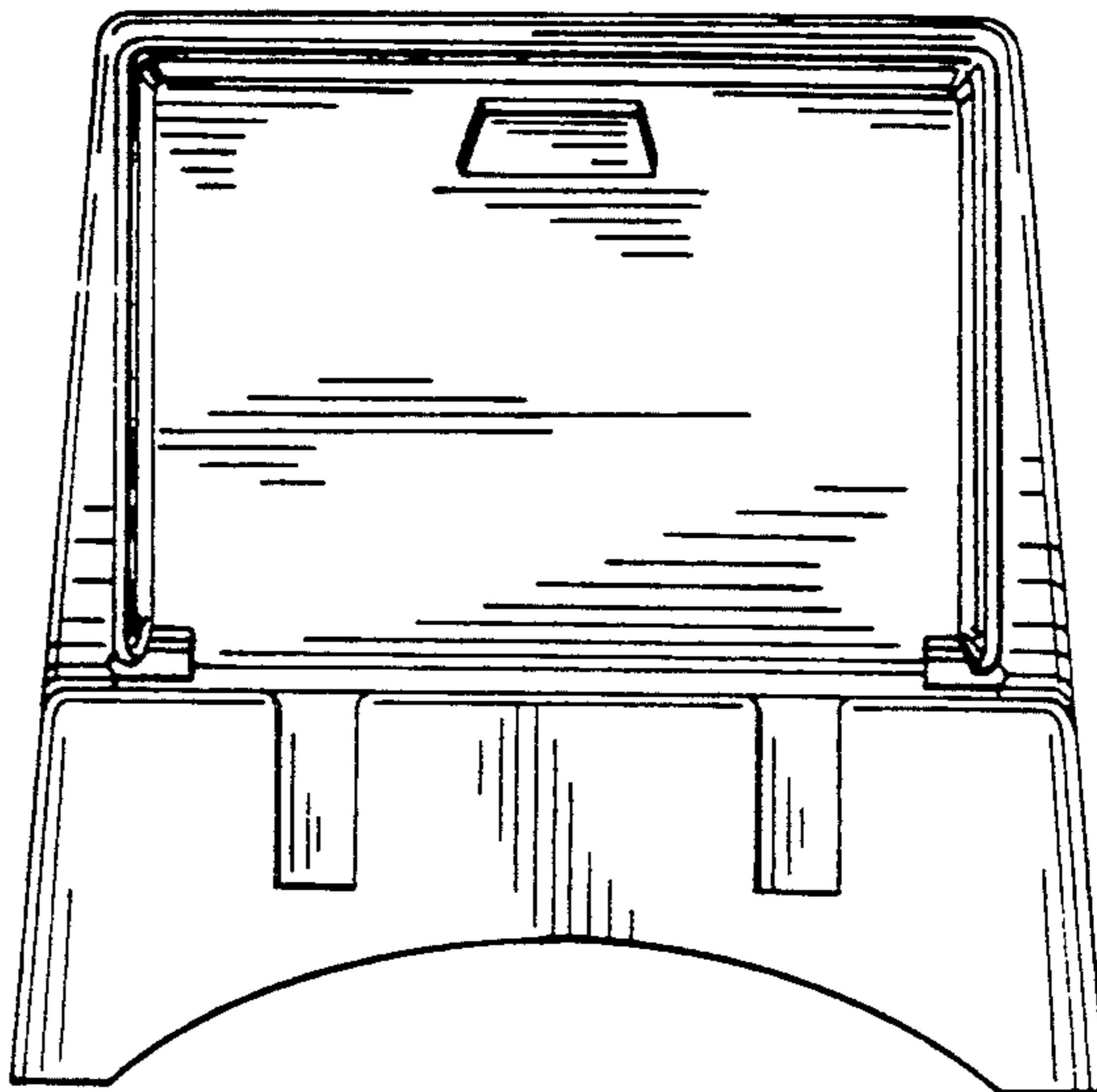


FIG. 3.



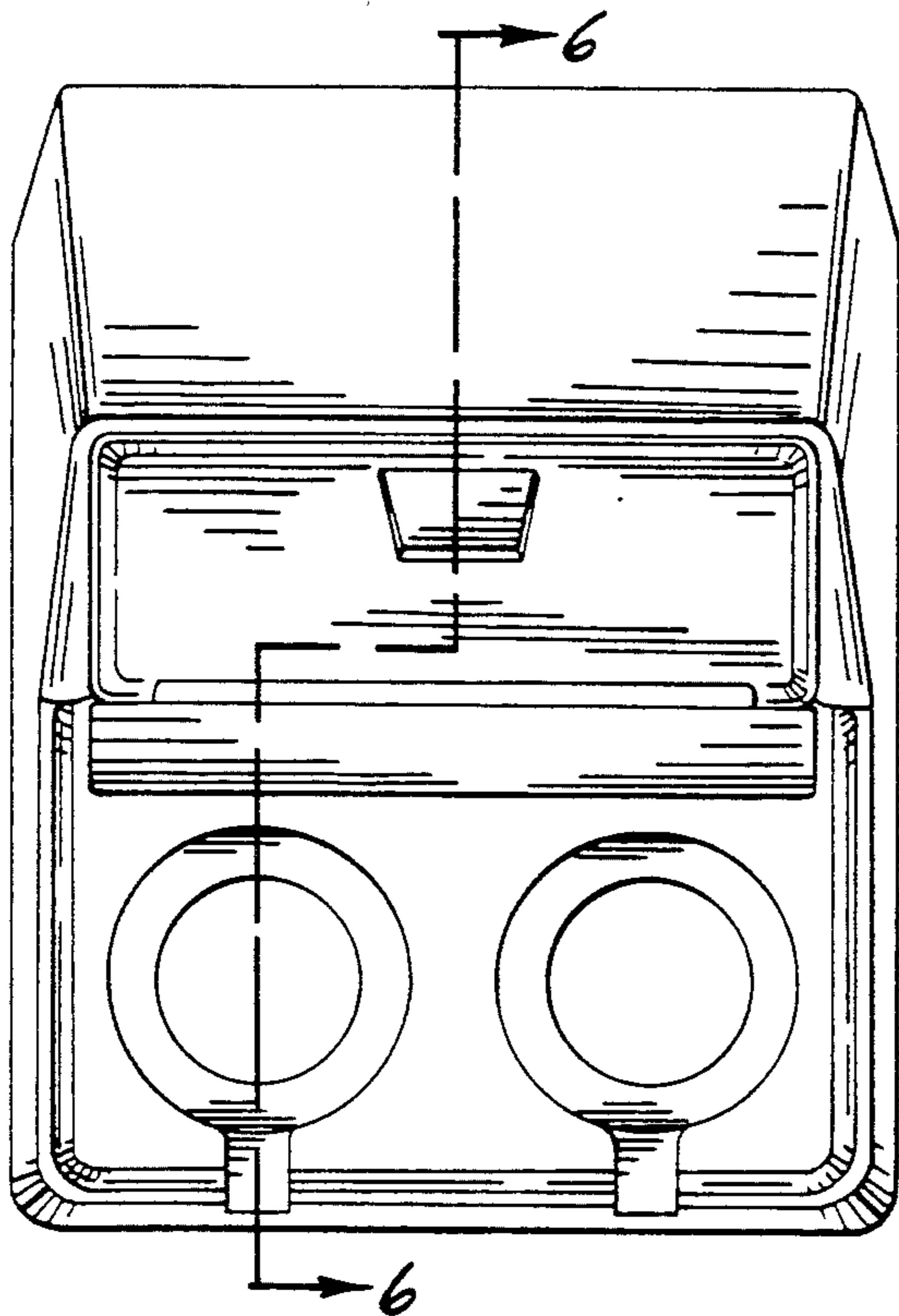


FIG. 4.

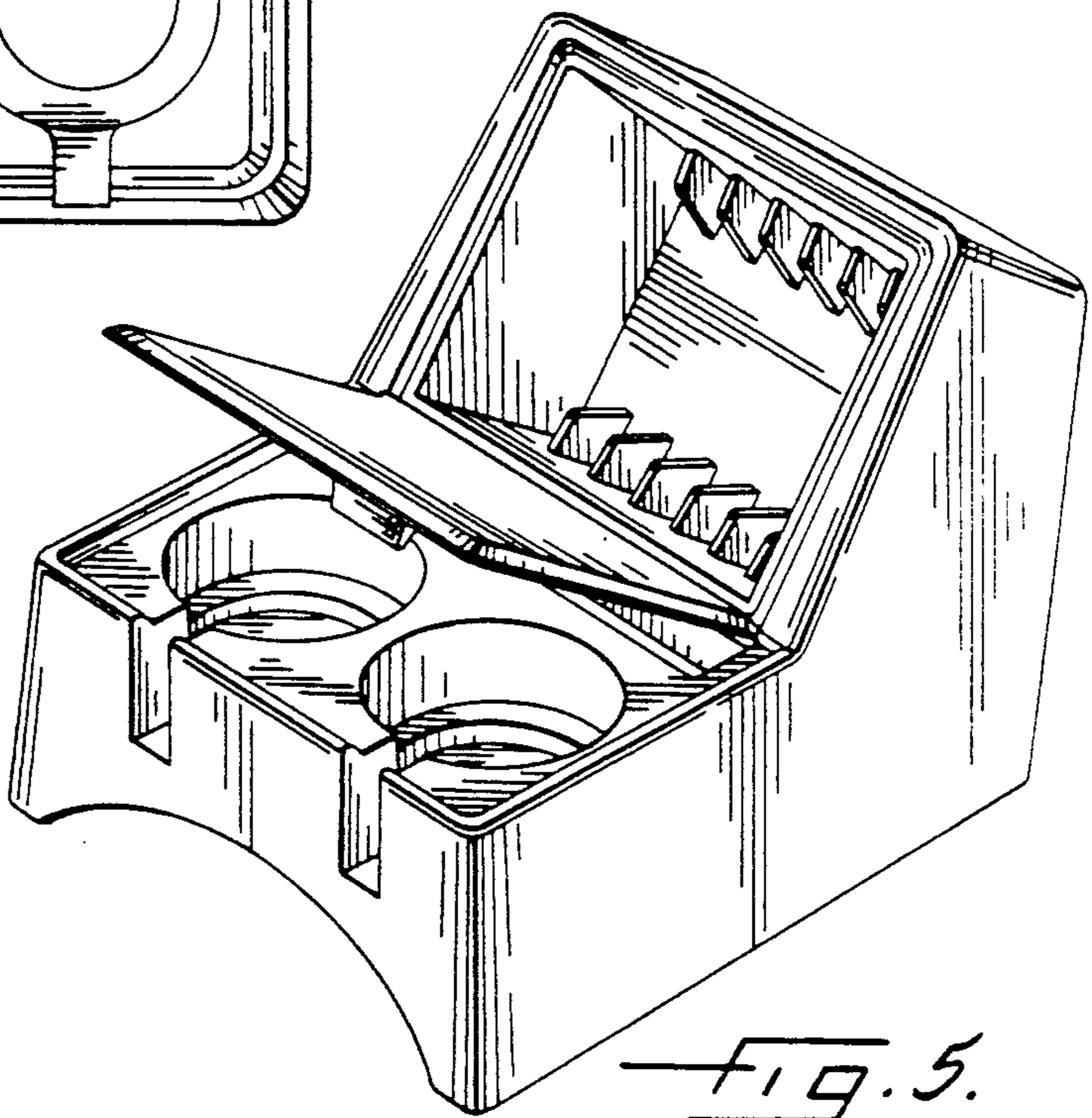


FIG. 5.

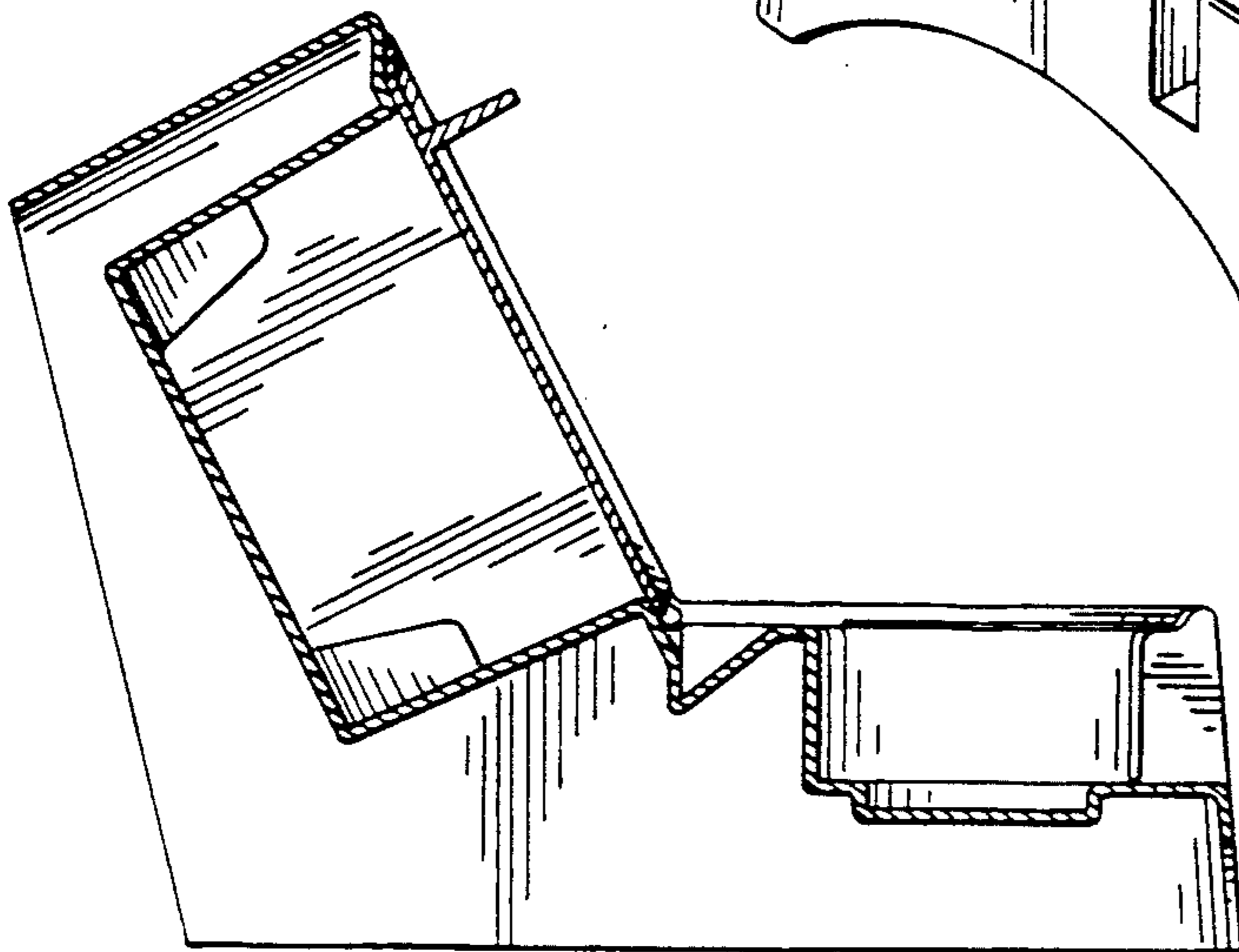


FIG. 6.