



US00D327363S

United States Patent [19]

[11] Patent Number: **Des. 327,363**

Farb

[45] Date of Patent: **** Jun. 30, 1992**

[54] **PORTABLE OPHTHALMIC INSTRUMENT CASE**

[76] Inventor: **M. Daniel Farb, 108 S. Orange Dr., Los Angeles, Calif. 90036**

[**] Term: **14 Years**

[21] Appl. No.: **246,176**

[22] Filed: **Sep. 19, 1988**

[52] U.S. Cl. **D3/33; D3/30.1; D3/39; D3/74; D3/99; D19/75**

[58] **Field of Search** **D3/18, 20, 30.1, 30.5, D3/32-35, 39, 41-45, 48-51, 53, 61-64, 66, 70, 73, 74, 76, 78, 99, 100, 106; D7/533, 605, 626, 629; D9/308, 341, 432; D14/100, 135, 136; D19/75, 77, 85; D21/137; D24/99; D34/43; 150/528; 190/107, 109, 111, 112, 115, 150, 900, 903; 206/1.7, 8, 206, 214, 316.1, 372, 373, 541, 576, 579; 220/20, 20.5, 21, 23, 324; 224/151, 153, 155, 160, 202, 209, 213; 312/DIG. 33, 287, 290; 364/708; 383/6, 10, 40, 41, 66, 72, 907; 400/685; 428/16; 446/72-76**

[56] **References Cited**

U.S. PATENT DOCUMENTS

D. 180,706 7/1957 Bourdon D3/39

D. 205,580	8/1966	Schurman	D3/76
D. 240,085	5/1976	Reisdorf	D24/99
D. 247,152	2/1978	Rayfield	D3/74
D. 265,346	7/1982	Maier	D24/99
D. 275,425	9/1984	Briggs	D3/39
D. 278,254	4/1985	Evenson	D3/74
D. 302,026	7/1989	Tu	D19/75

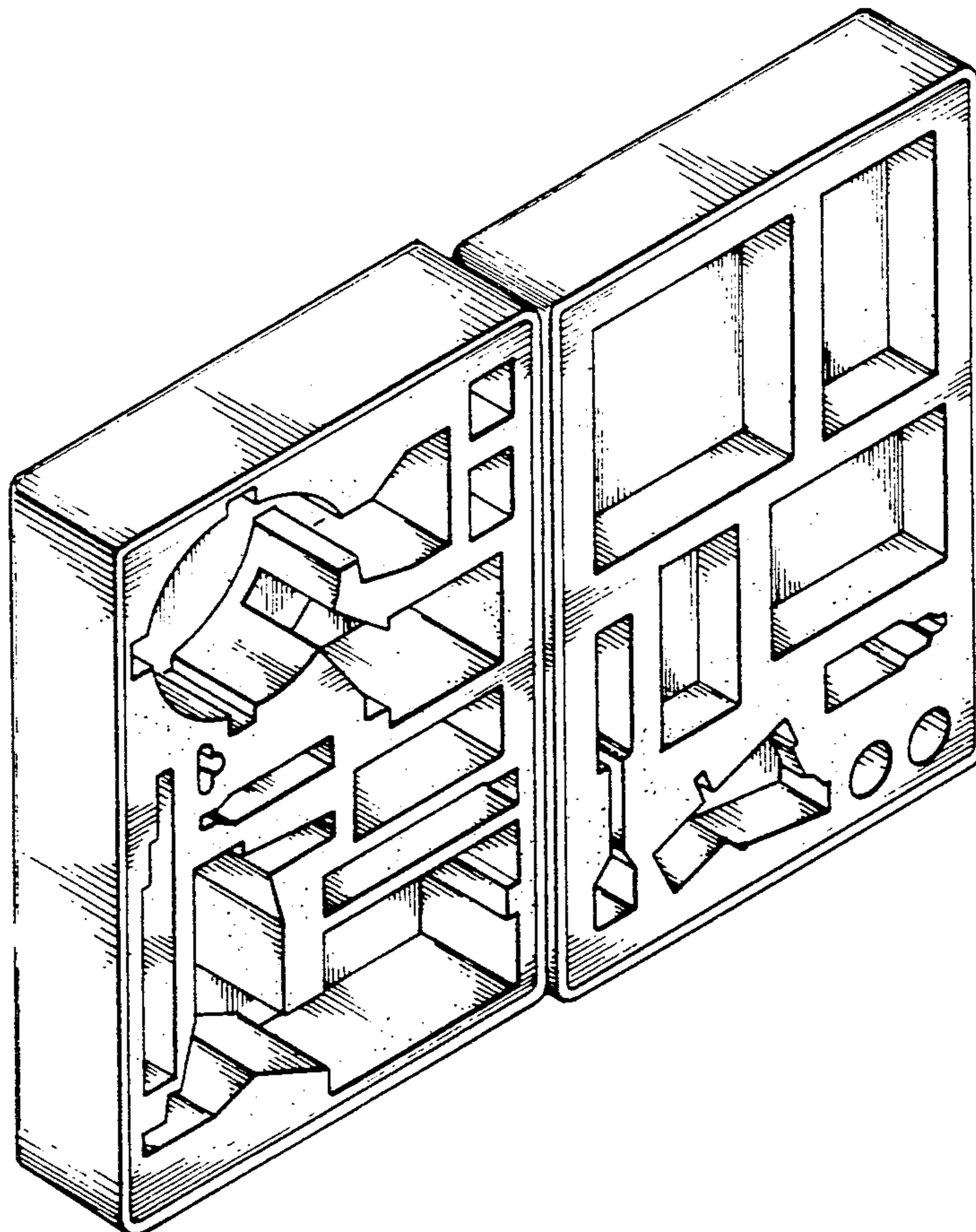
Primary Examiner—A. Hugo Word
Assistant Examiner—Celia A. Murphy
Attorney, Agent, or Firm—Irell & Manella

[57] CLAIM

The ornamental design for a portable ophthalmic instrument case, as shown and described.

DESCRIPTION

FIG. 1 is a perspective view of a portable ophthalmic instrument case showing my new design;
FIG. 2 is a front elevational view thereof;
FIG. 3 is a bottom plan view thereof, the top being a mirror image;
FIG. 4 is a rear elevational view thereof shown closed, the front being identical;
FIG. 5 is a left side elevational view of FIG. 1;
FIG. 6 is a right side elevational view of the right hand component of FIG. 1; and,
FIG. 7 is a rear elevational view of FIG. 2.



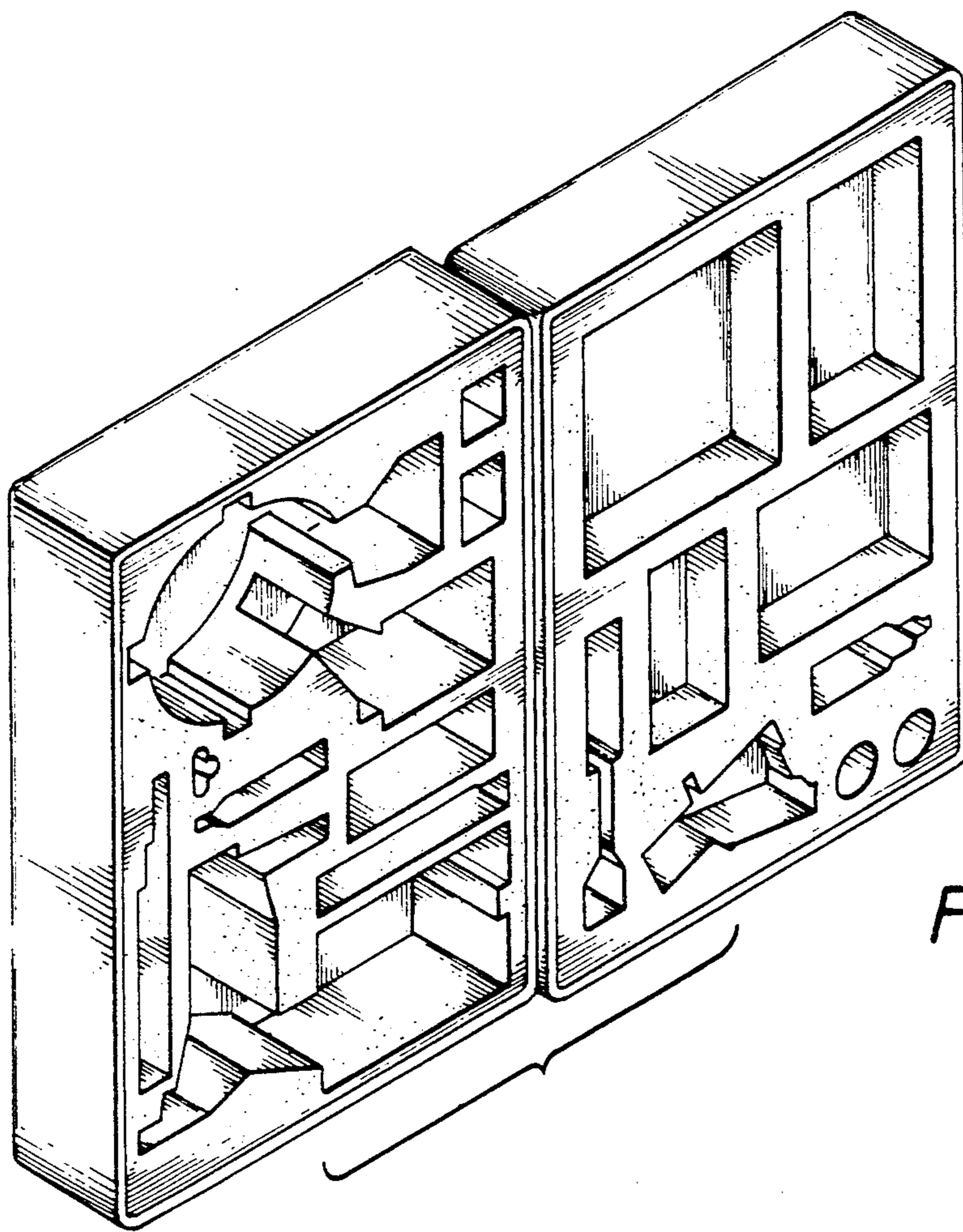
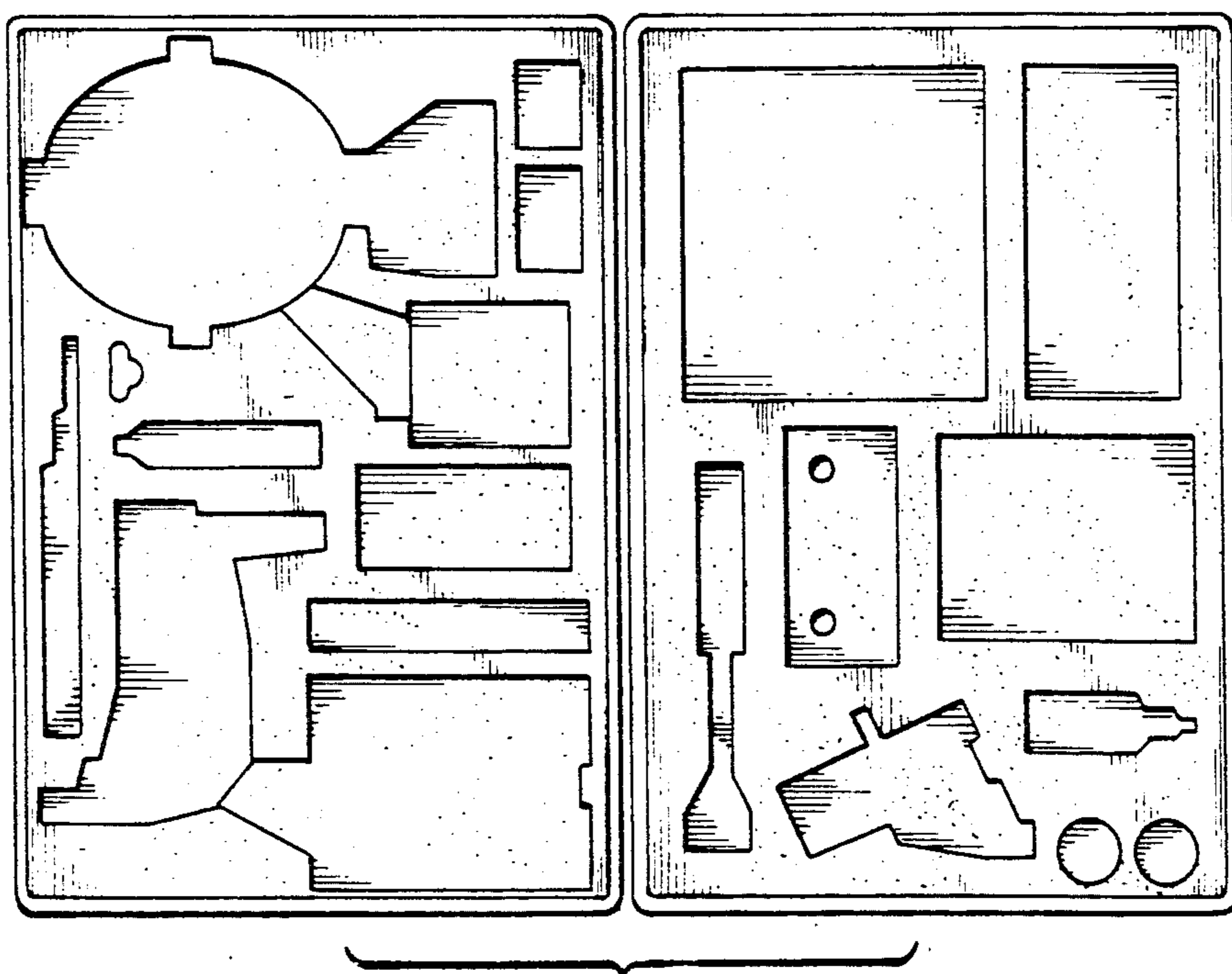


FIG. 1

FIG. 2



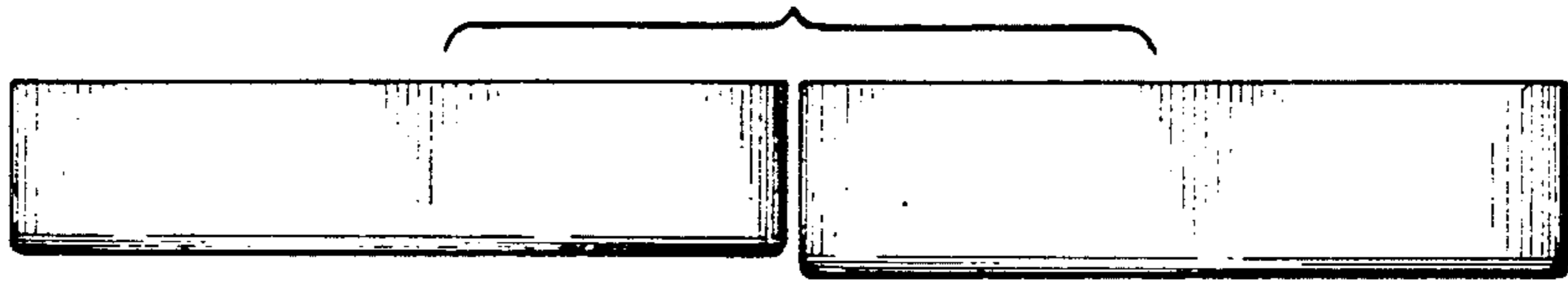


FIG. 3

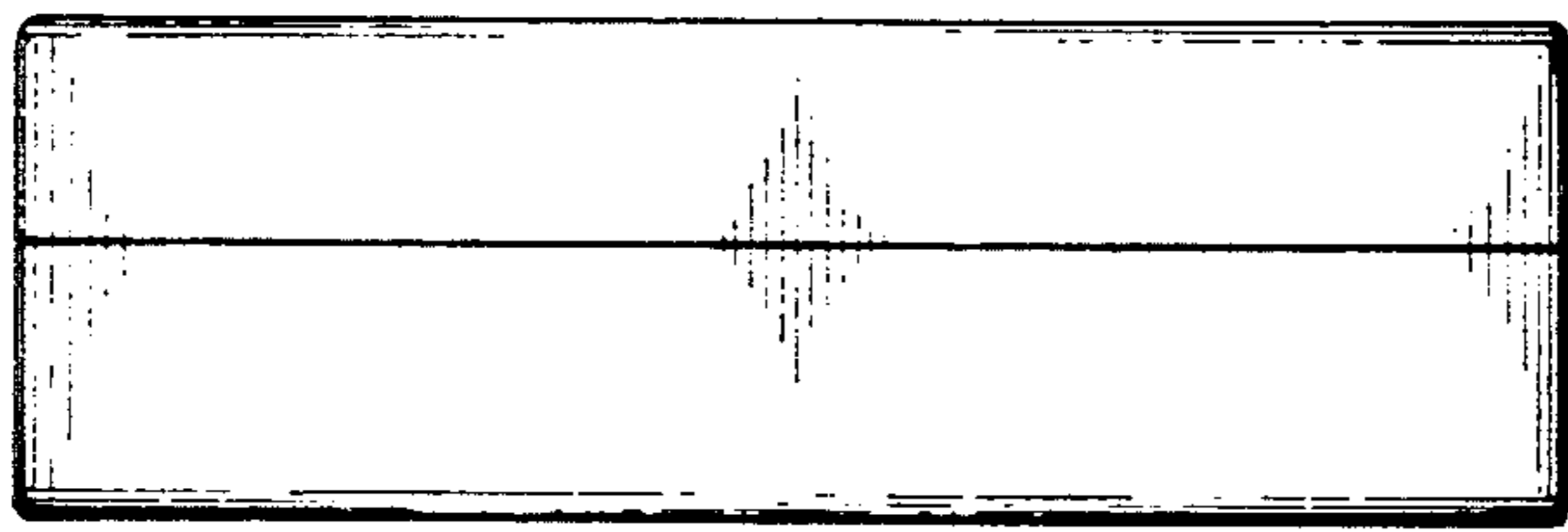


FIG. 4

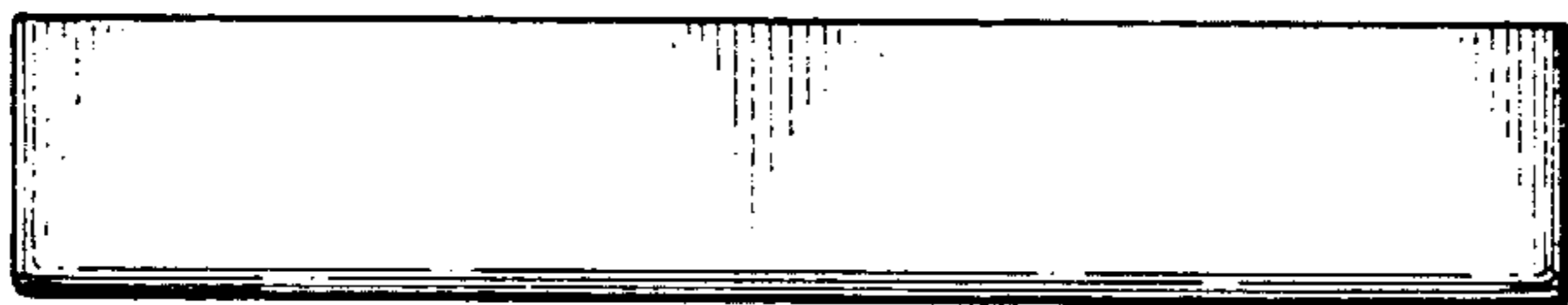


FIG. 5

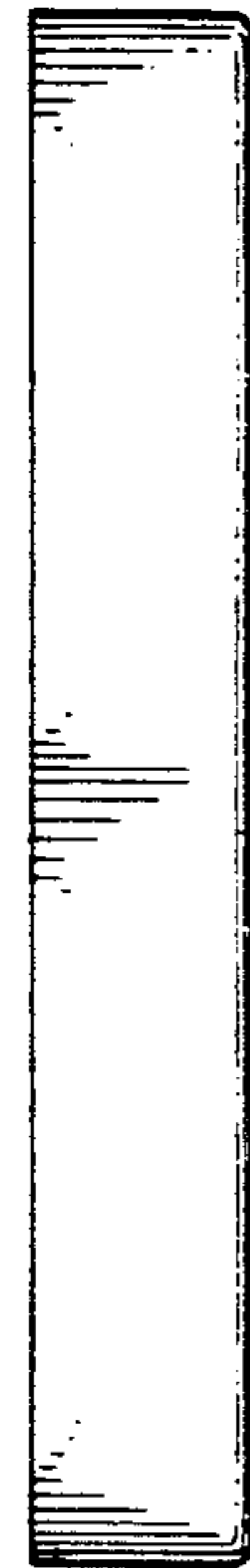


FIG. 6

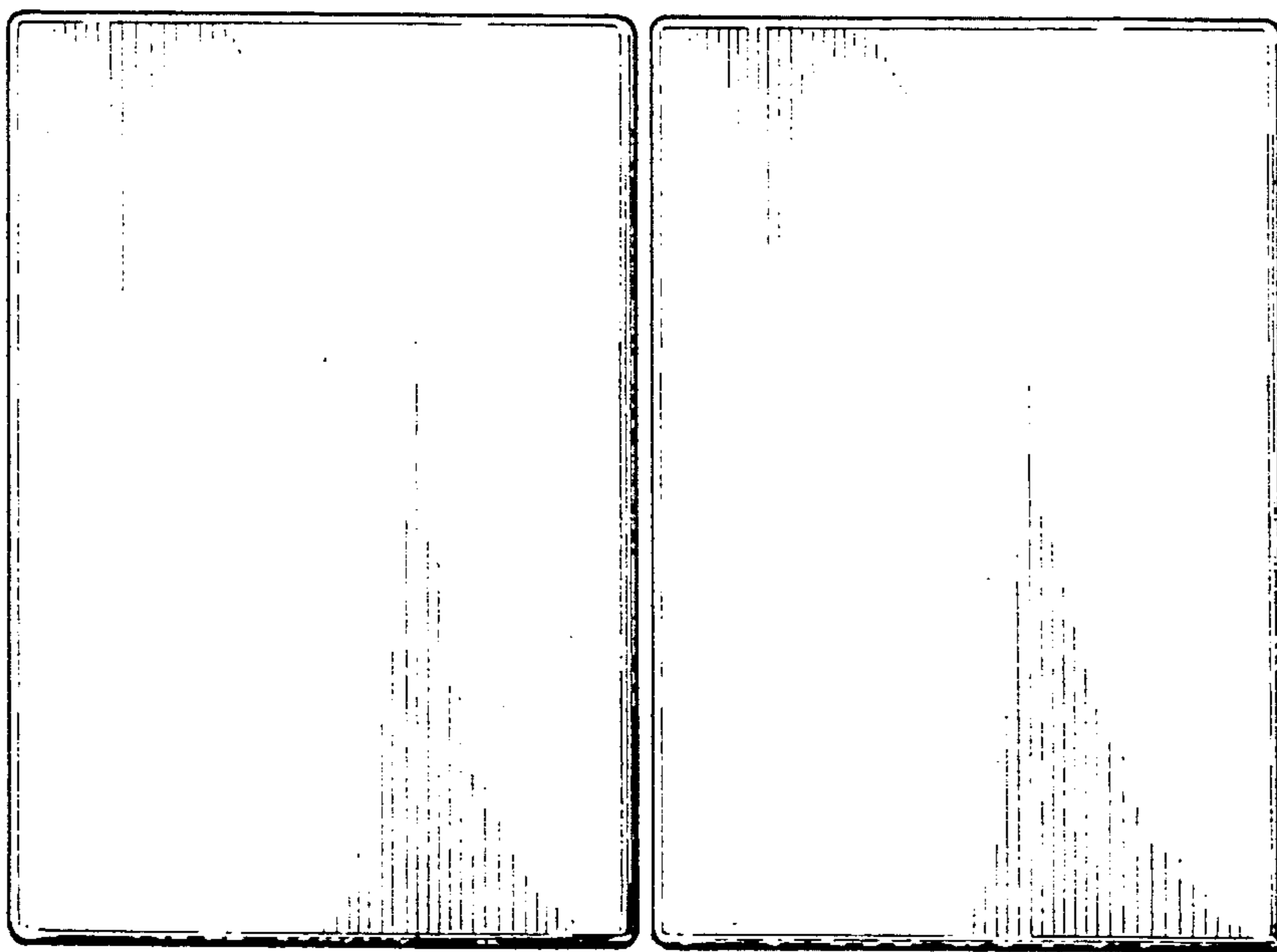


FIG. 7