



US00D327355S

United States Patent [19]

Nordenberg

[11] Patent Number: **Des. 327,355**

[45] Date of Patent: **** Jun. 23, 1992**

[54] **TELESCOPING PAPER ROLL HOLDER**

4.239.163 12/1980 Christian 242/55.2
4.358.039 11/1982 Buzzell 242/68

[75] Inventor: **Per-Göran Nordenberg, Stälhamra, Sweden**

[73] Assignee: **Industrimekanik P.G. Nordenberg AB, Vikbolandet, Sweden**

[**] Term: **14 Years**

[21] Appl. No.: **557,506**

[22] Filed: **Jul. 24, 1990**

[52] U.S. Cl. **D34/33**

[58] Field of Search **D34/33, 35; D6/526, D6/529, 519, 521, 522, 524; 242/68, 55.2, 68.5, 73**

OTHER PUBLICATIONS

Photographs of Roll Holder submitted by applicant on Dec. 27, 1990.

Pegen brochure submitted by applicant Dec. 27, 1990.

Primary Examiner—Wallace R. Burke

Assistant Examiner—H. Baynham

Attorney, Agent, or Firm—Baker & Daniels

[57] CLAIM

The ornamental design for a telescoping paper roll holder, as shown and described.

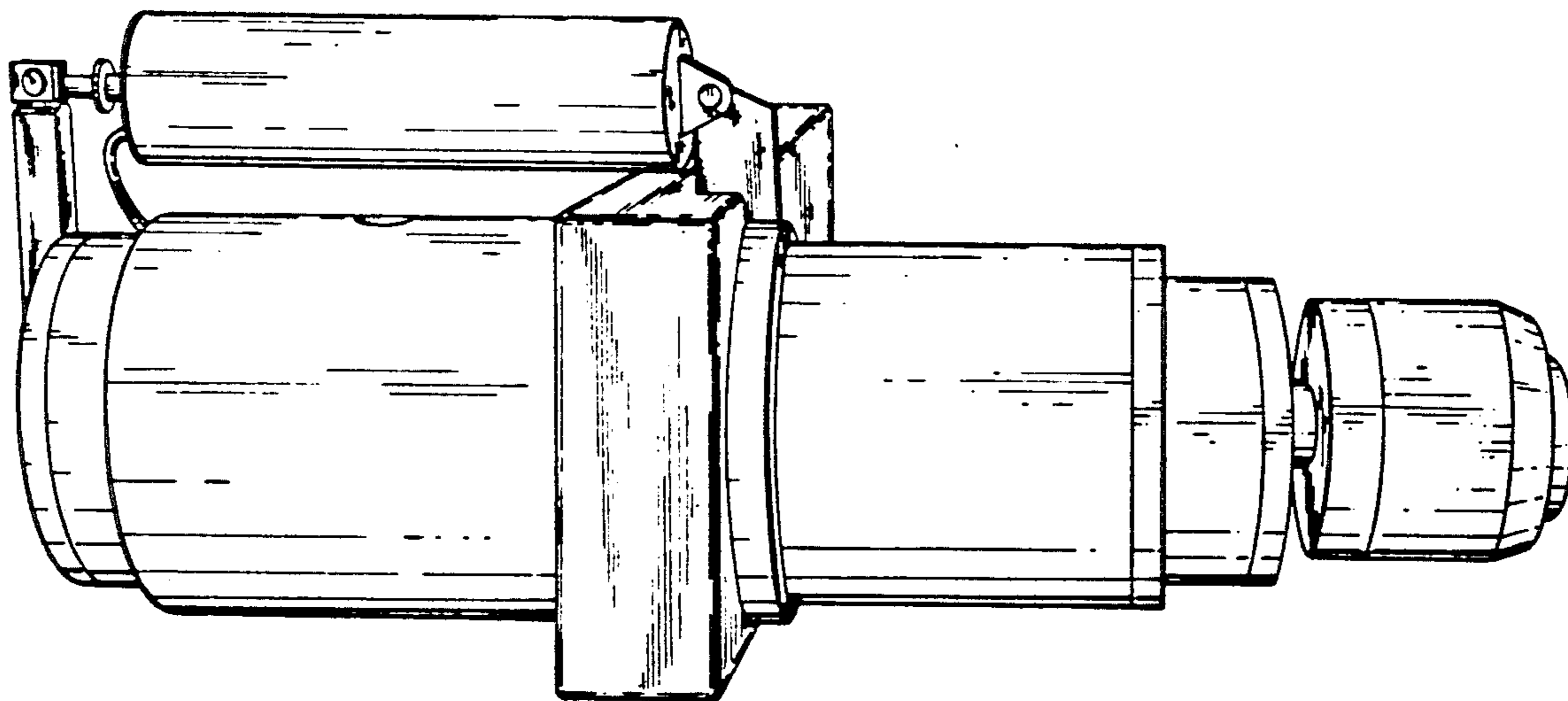
DESCRIPTION

FIG. 1 is a side, slightly in perspective view of a telescoping paper roll holder showing my new design; FIG. 2 is a front perspective view thereof; FIG. 3 is a side view slightly in perspective thereof; FIG. 4 is a rear, side perspective view thereof; and, FIG. 5 is a rear perspective view thereof.

[56] References Cited

U.S. PATENT DOCUMENTS

- D. 293,953 1/1988 MacNeil D34/35
- D. 296,963 8/1988 Smallwood D6/523
- 3,469,797 9/1969 Henderson et al. 242/55.2 X



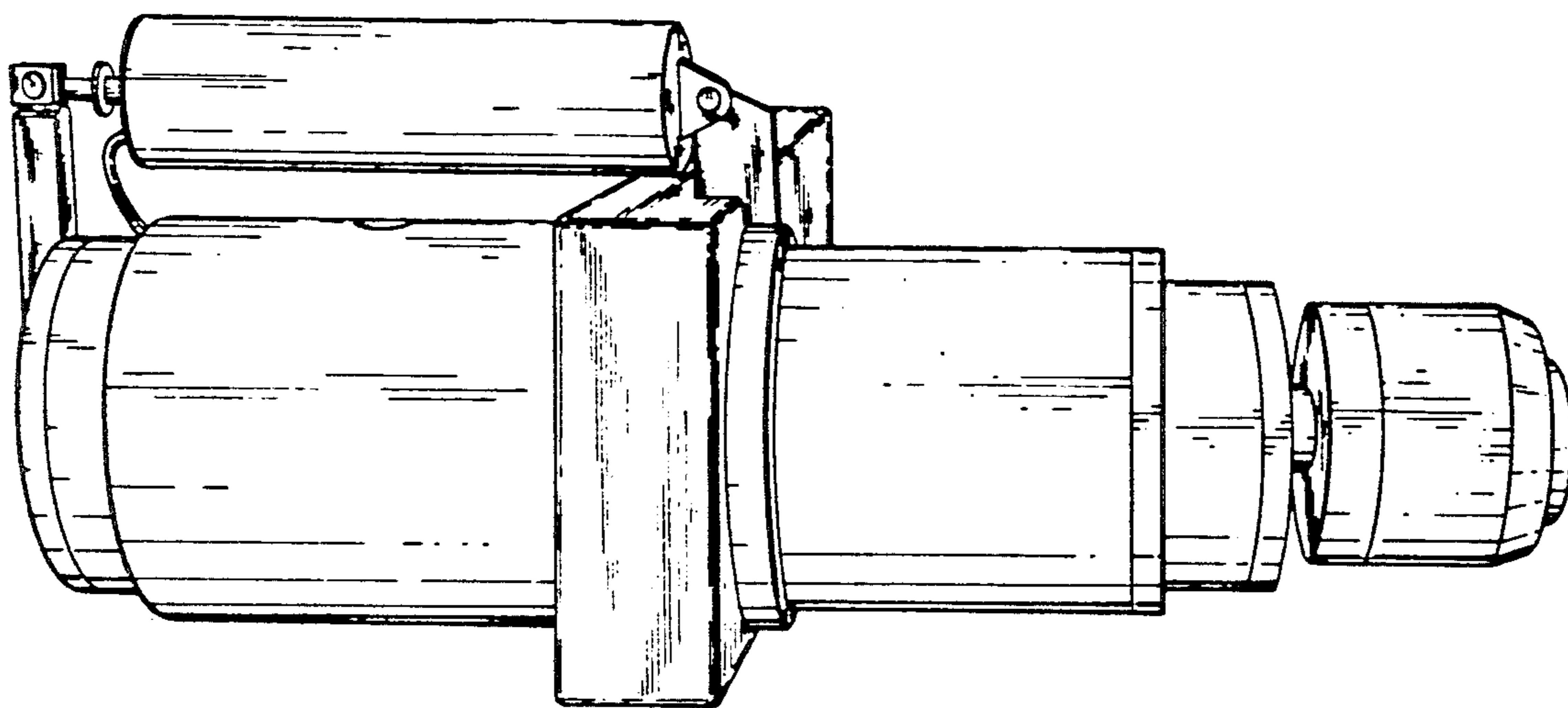


FIG. 1

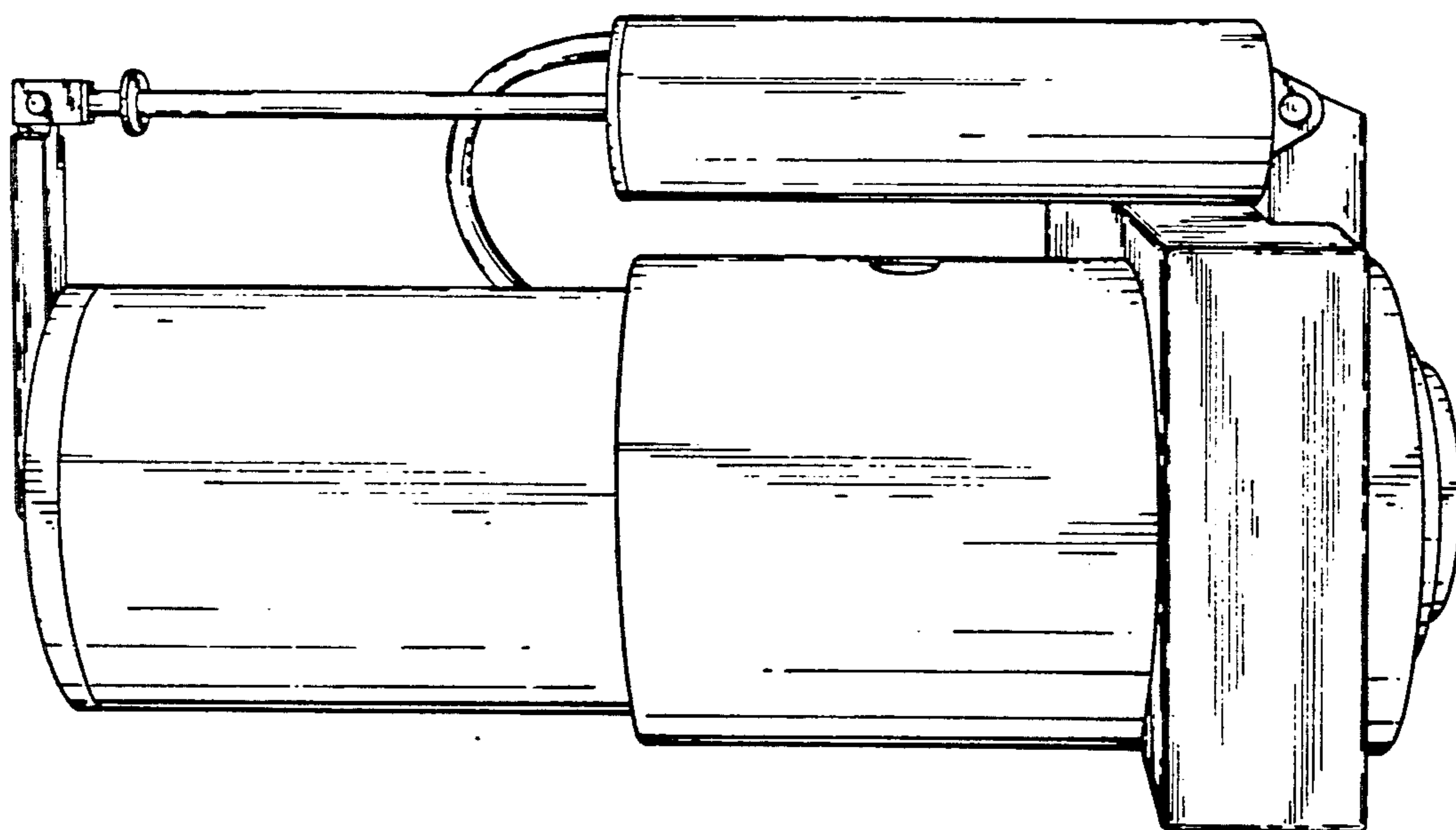


FIG. 3

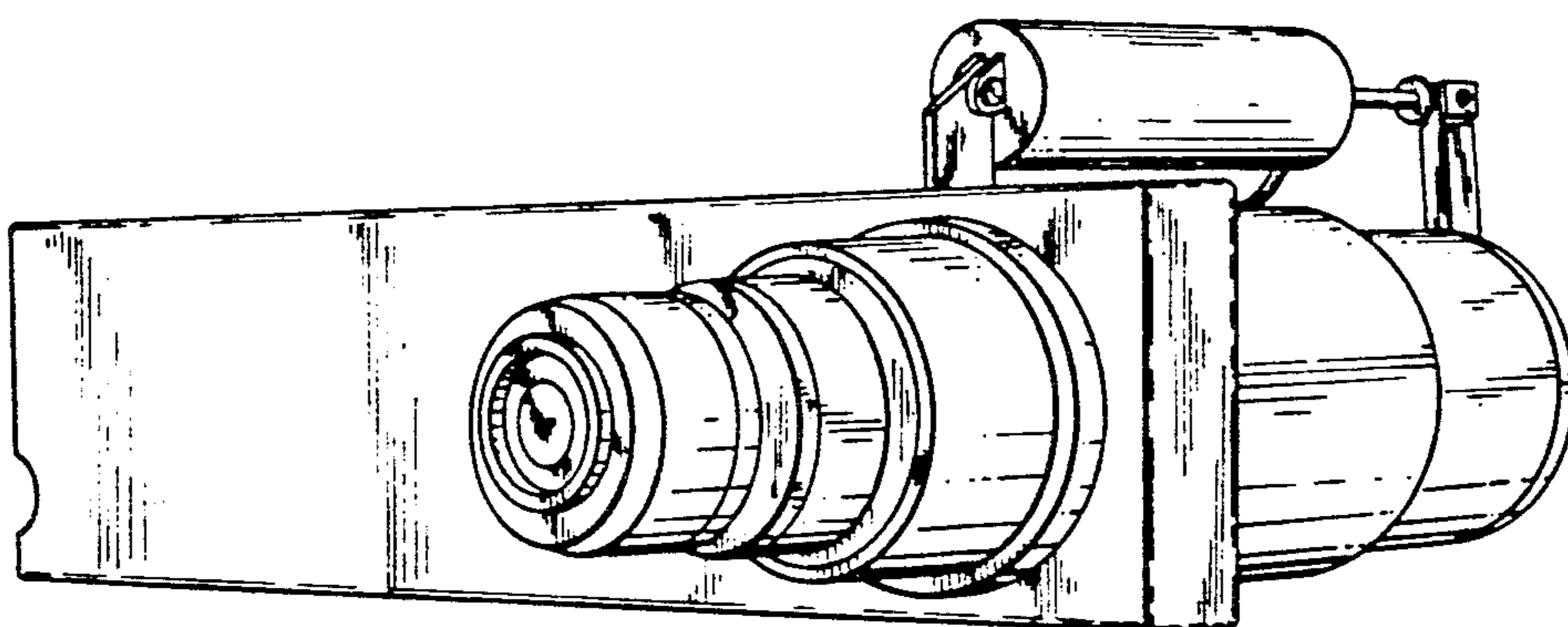


FIG. 2

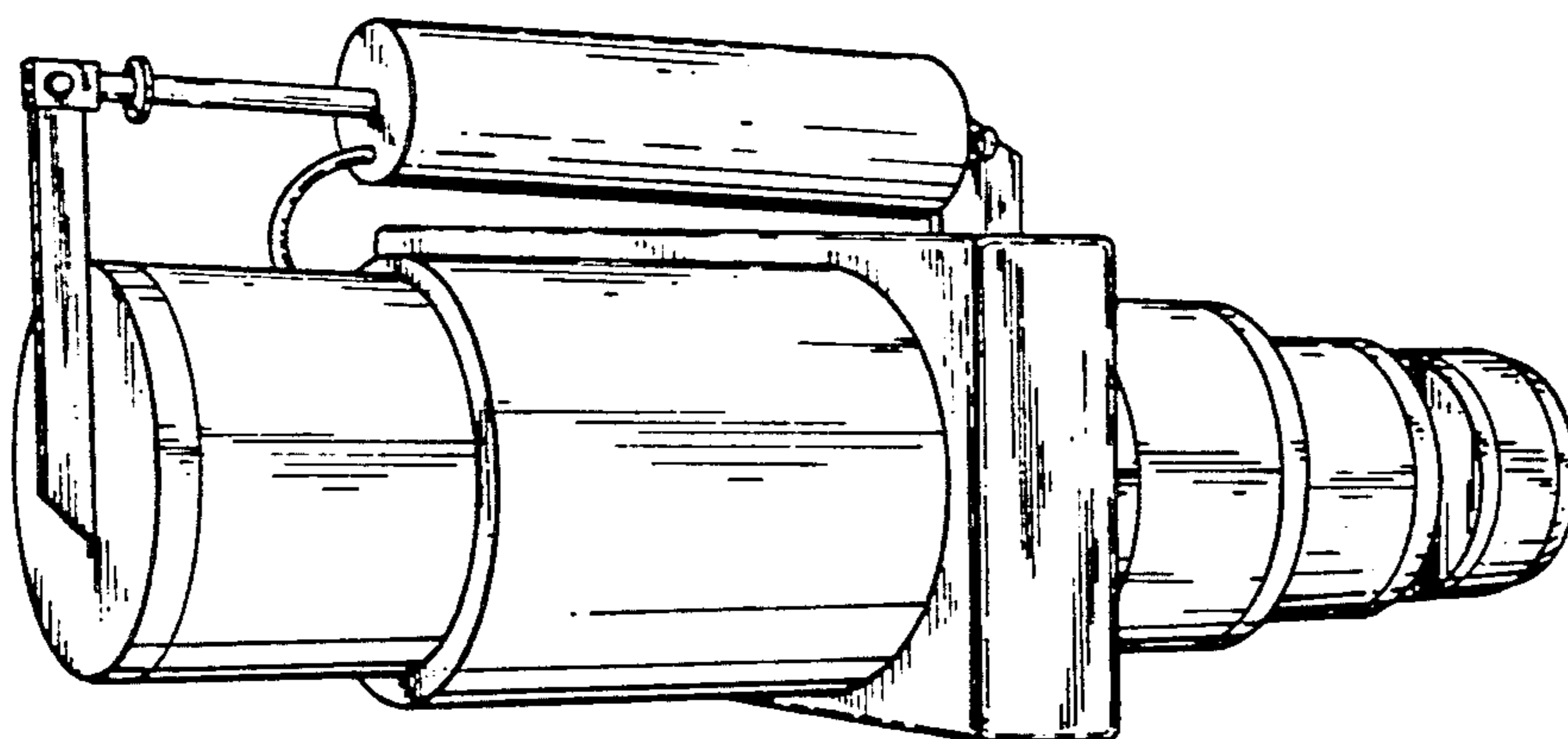


FIG. 4

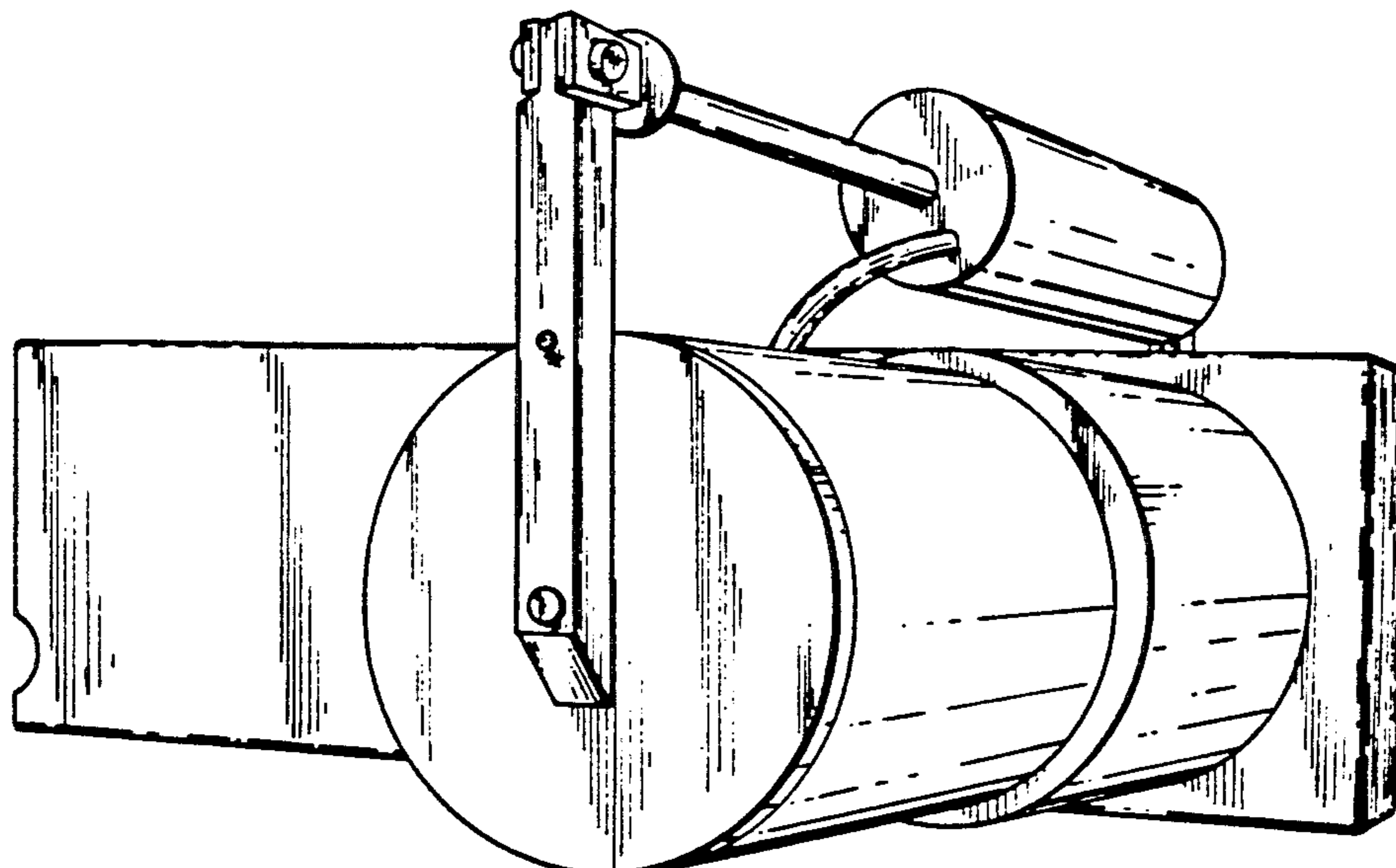


FIG. 5