



US00D327352S

**United States Patent** [19]  
**Robinson**

[11] **Patent Number: Des. 327,352**  
[45] **Date of Patent: \*\* Jun. 23, 1992**

[54] **MOBILE TOOL CADDY/SEAT**

[56] **References Cited**

[75] **Inventor: John M. Robinson, Thorold, Canada**

**U.S. PATENT DOCUMENTS**

D. 237,872	12/1975	Miller	.....	D34/18
D. 281,119	10/1985	Kalkus	.....	D6/336
D. 296,048	6/1988	Eie	.....	D34/23
D. 298,674	11/1988	Koller, Sr.	.....	D34/23

[73] **Assignee: 895065 Ontario Inc., Thorold, Canada**

*Primary Examiner—Kay H. Chin*  
*Attorney, Agent, or Firm—Rogers, Bereskin & Parr*

[\*\*] **Term: 14 Years**

[57] **CLAIM**

[21] **Appl. No.: 618,345**

The ornamental design for a mobile tool caddy/seat, as shown and described.

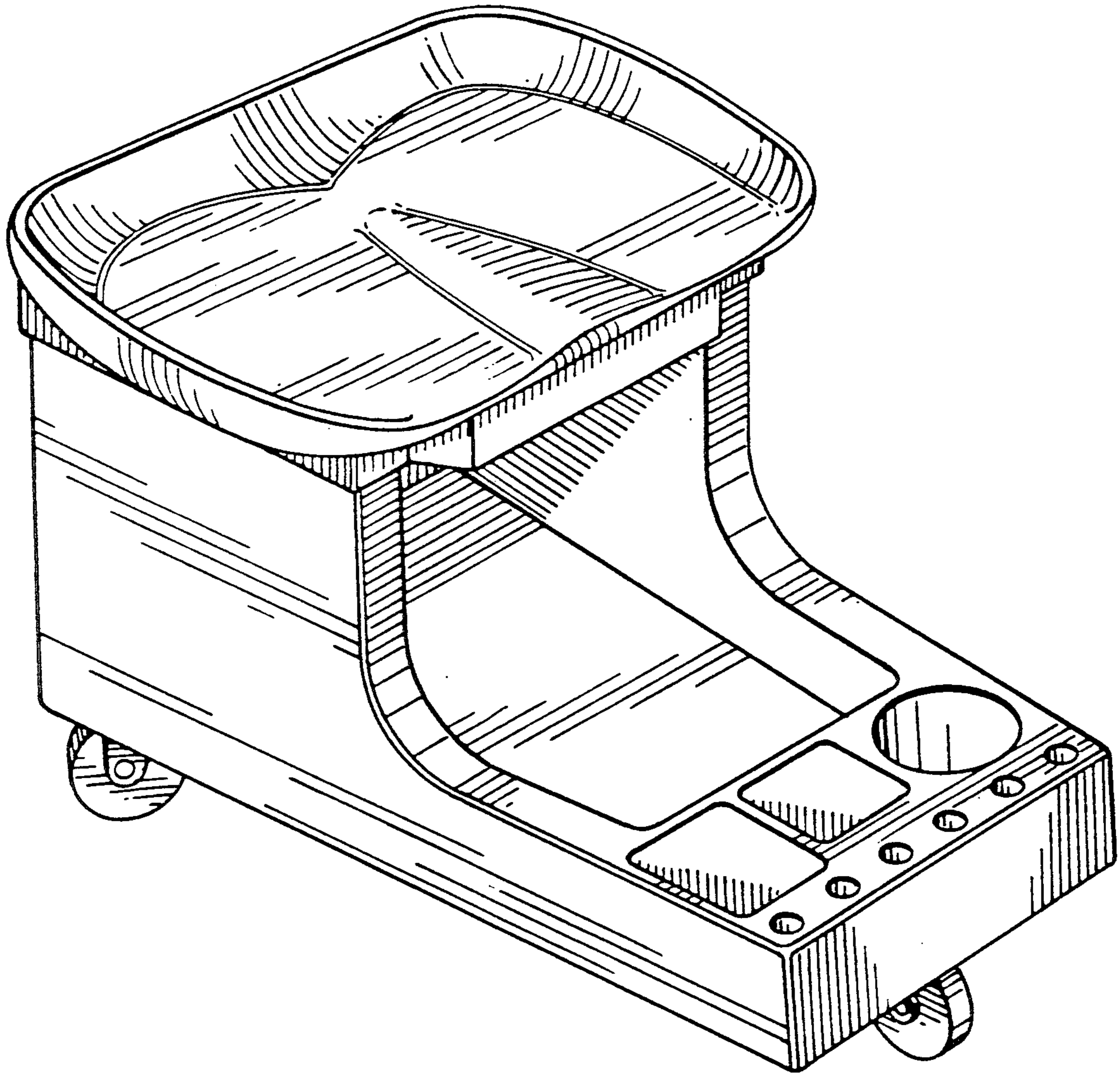
[22] **Filed: Nov. 23, 1990**

**DESCRIPTION**

[52] **U.S. Cl. .... D34/23; D34/18**

FIG. 1 is a top, front and left side perspective view of a mobile tool caddy/seat showing my new design; and, FIG. 2 is a bottom, rear and right side perspective view thereof.

[58] **Field of Search .... D34/23, 22, 17, 12; D6/336, 350, 502; 280/32.5, 32.6**



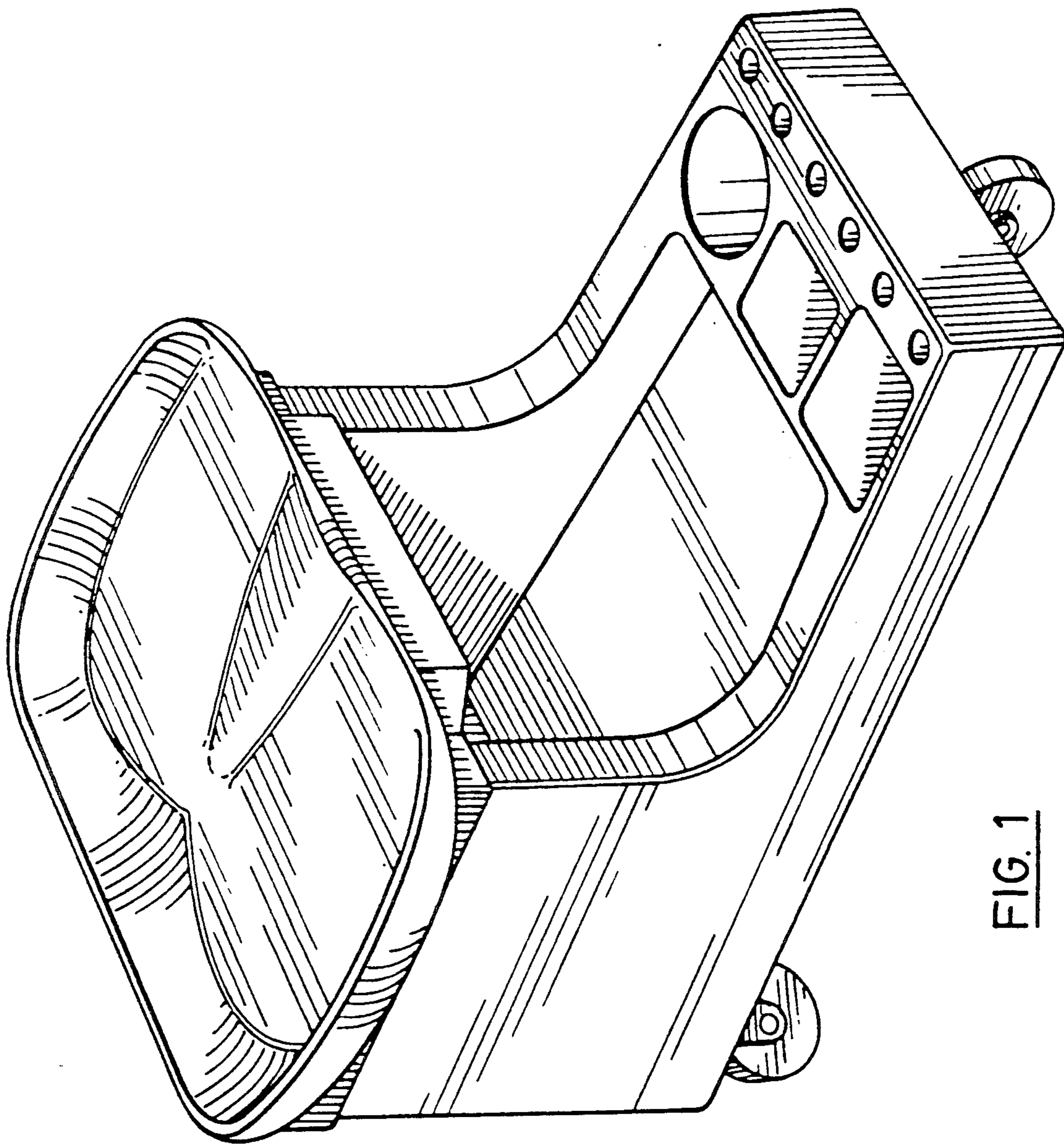


FIG. 1

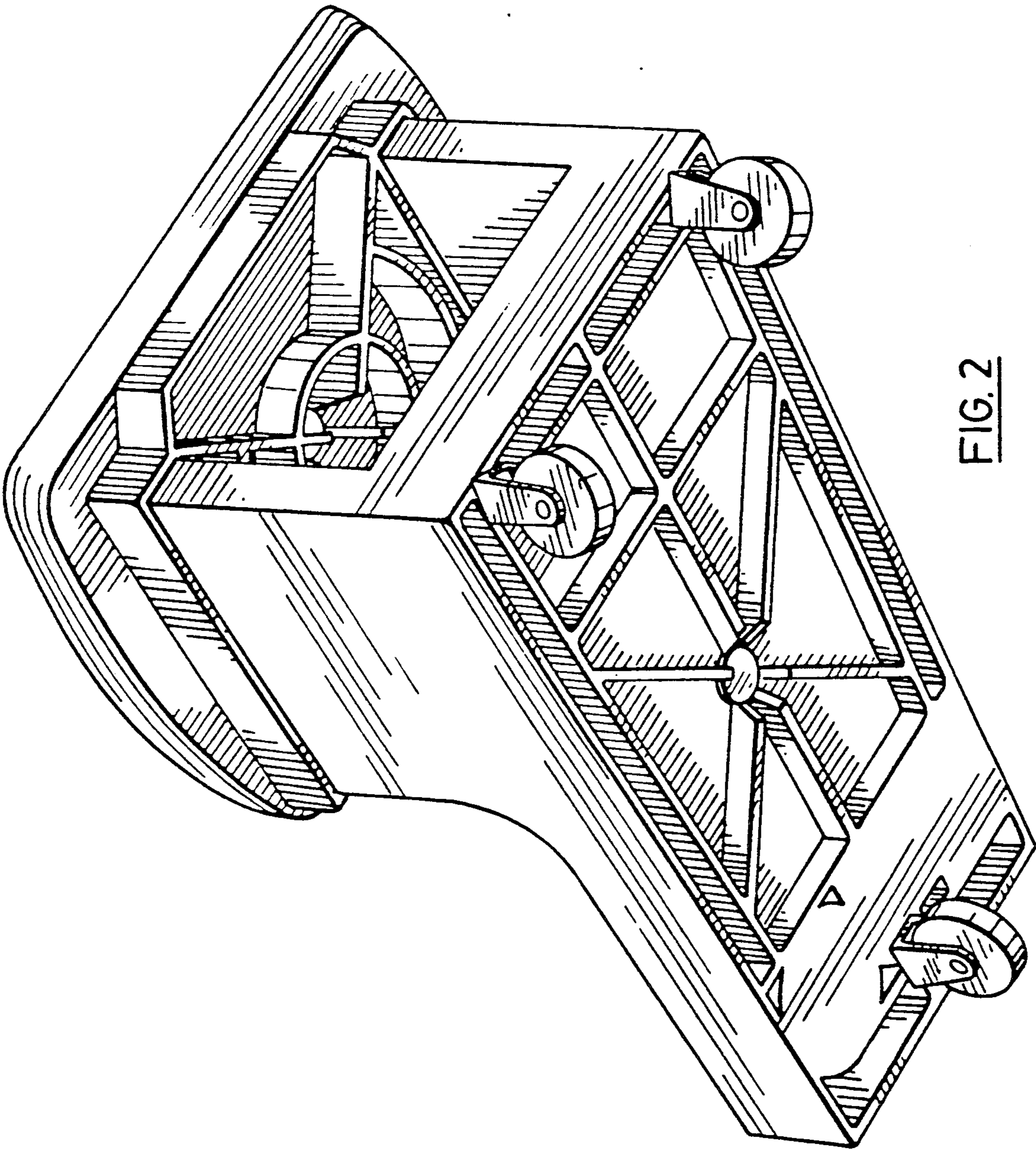


FIG. 2