



US00D327351S

United States Patent [19]
Dallas

[11] Patent Number: Des. 327,351

[45] Date of Patent: ** Jun. 23, 1992

[54] WHEELED TRAY WITH HANDLES

[75] Inventor: W. Gordon Dallas, Ashland, Ohio

[73] Assignee: Dallas Tech Tools, Inc., Ashland, Ohio

[**] Term: 14 Years

[21] Appl. No.: 597,736

[22] Filed: Oct. 9, 1990

[52] U.S. Cl. D34/23; D34/12

[58] Field of Search D34/12, 17, 23, 27;
280/79.11, 439, 651, 79.3, 35; 211/59.1

[56] References Cited

U.S. PATENT DOCUMENTS

D. 295,337	4/1988	Bogart	D34/23
3,964,762	6/1976	Adams	280/439
4,887,836	12/1989	Simjian	280/651
5,035,445	7/1991	Poulin	280/79.11

Primary Examiner—Kay H. Chin
Attorney, Agent, or Firm—Renner, Kenner, Greive,
Bobak, Taylor & Weber

[57] CLAIM

The ornamental design for a wheeled tray with handles, as shown and described.

DESCRIPTION

FIG. 1 is a top perspective view of wheeled tray with handles showing my new design, with the handles in a down position;

FIG. 2 is a top perspective view thereof with the handles in an upright position;

FIG. 3 is a top plan view thereof;

FIG. 4 is a bottom plan view thereof;

FIG. 5 is a side elevational view thereof, the opposite side elevational view being a mirror image of that shown;

FIG. 6 is a front elevational view thereof, the rear elevational view being a mirror image of that shown;

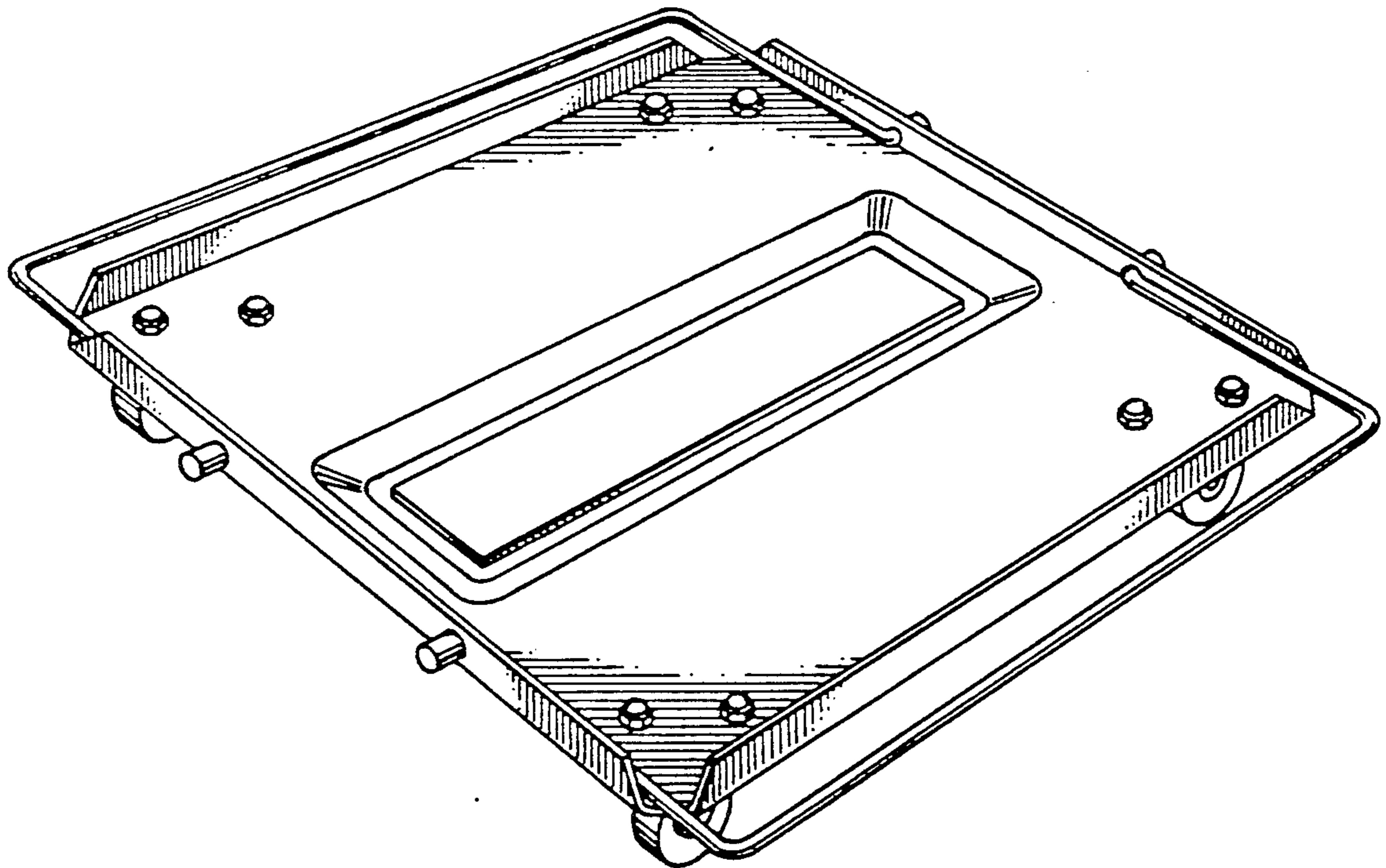
FIG. 7 is a top perspective view of a second embodiment of the wheeled tray with handles;

FIG. 8 is a top plan view of FIG. 7;

FIG. 9 is a bottom plan view of FIG. 7; and,

FIG. 10 is a side elevational view of FIG. 7, the opposite side elevational view being a mirror image of that shown.

The front and rear elevational view of the second embodiment is identical to FIG. 6.



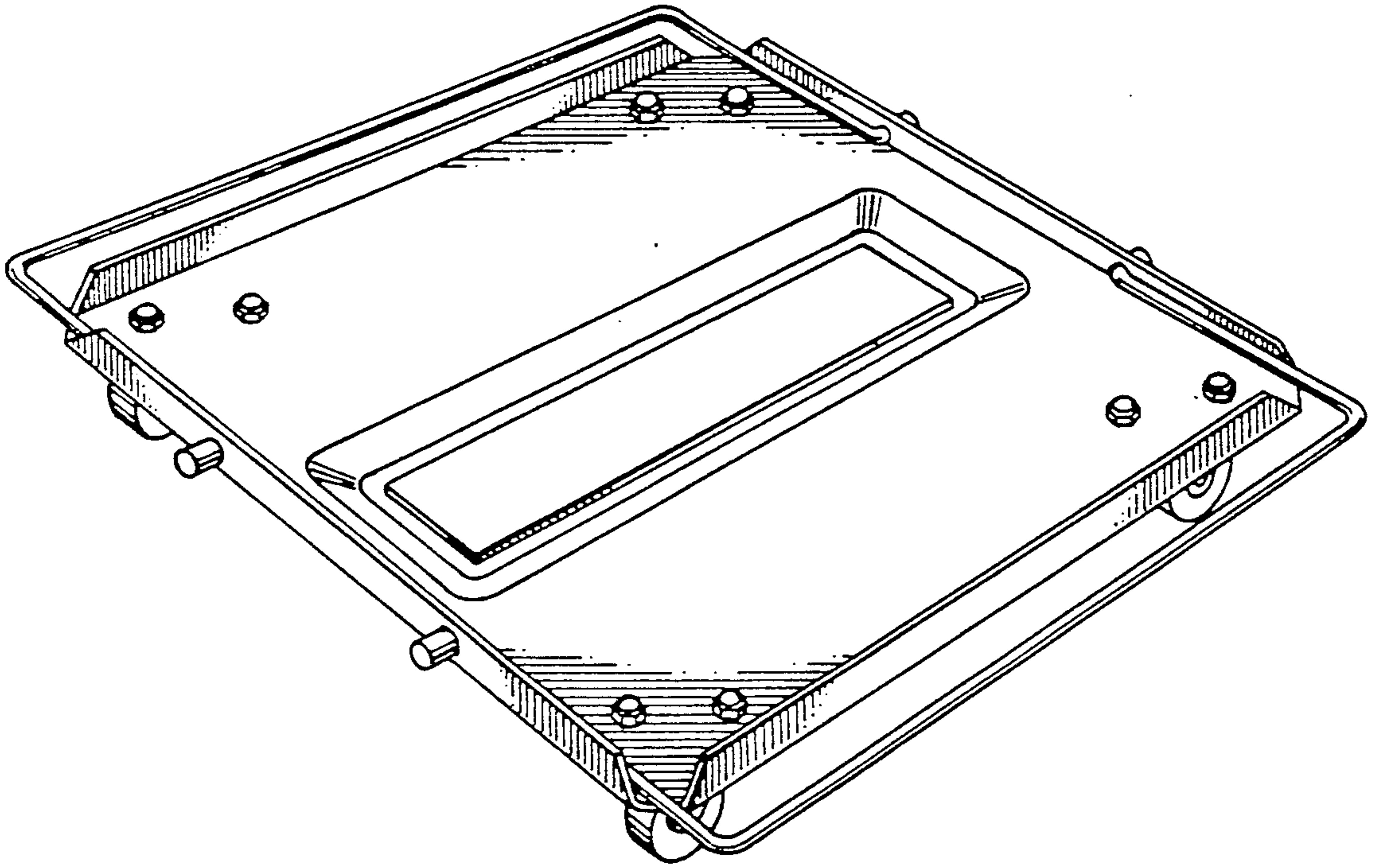


FIG. 1

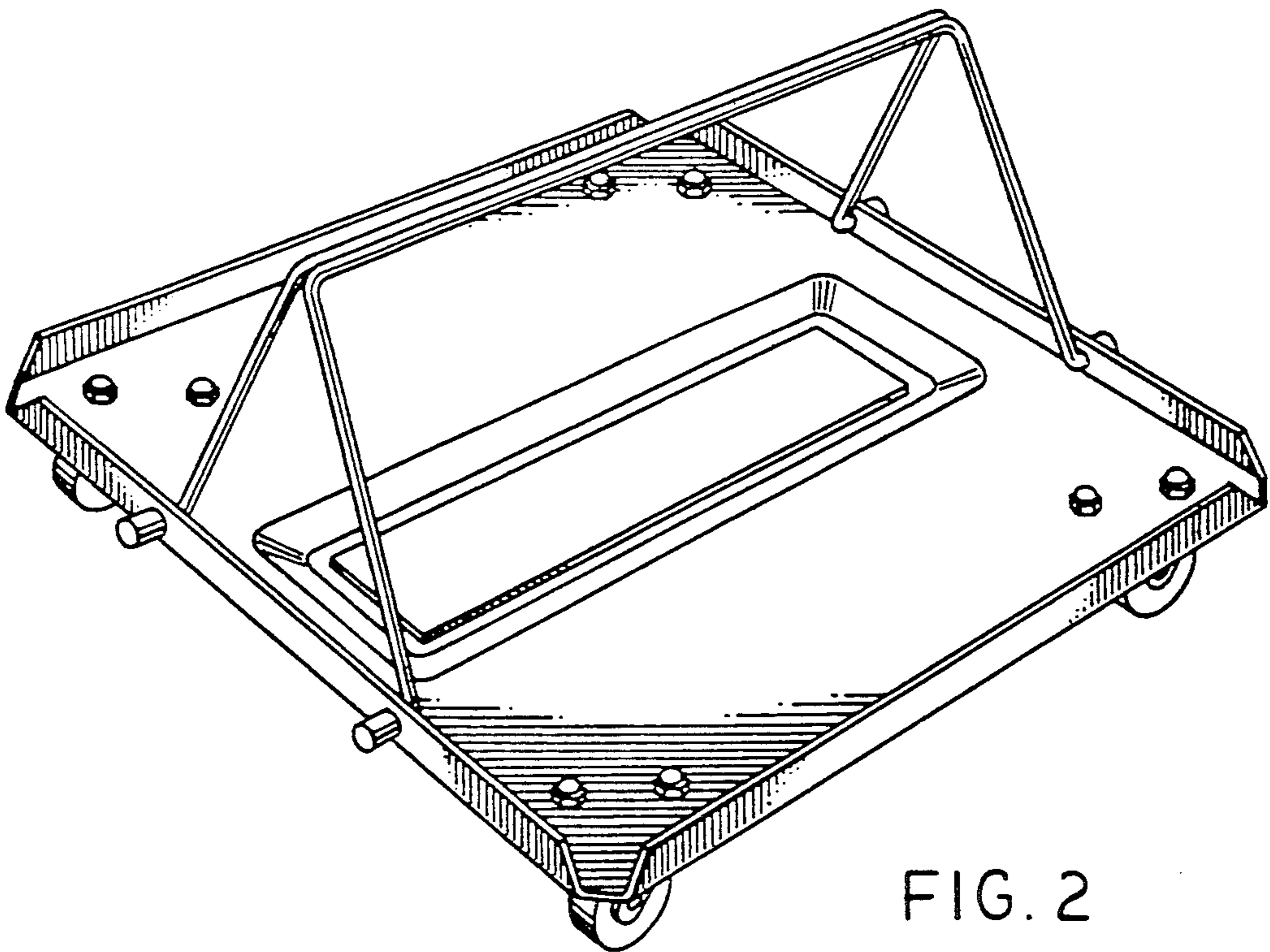


FIG. 2

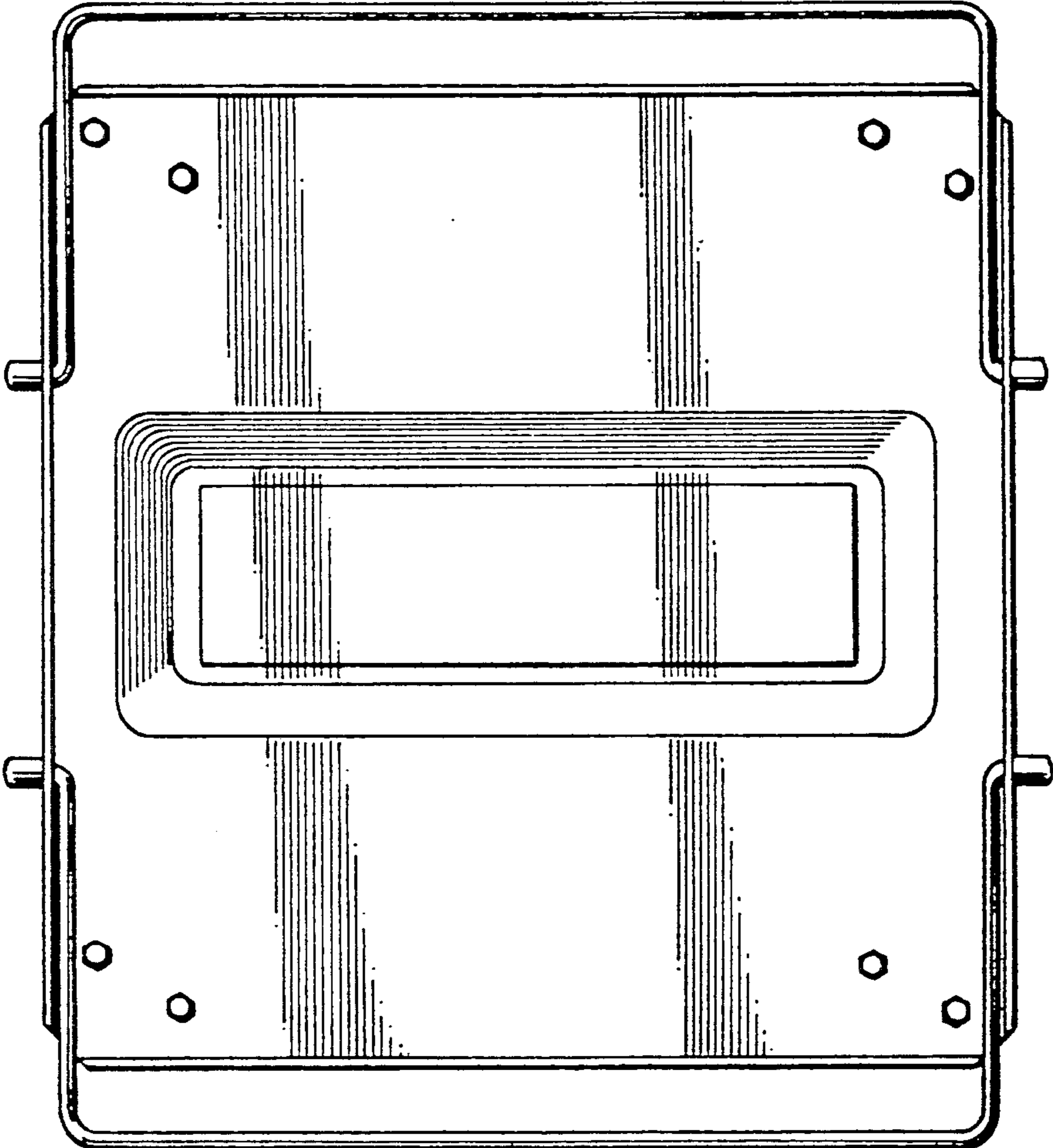


FIG. 3

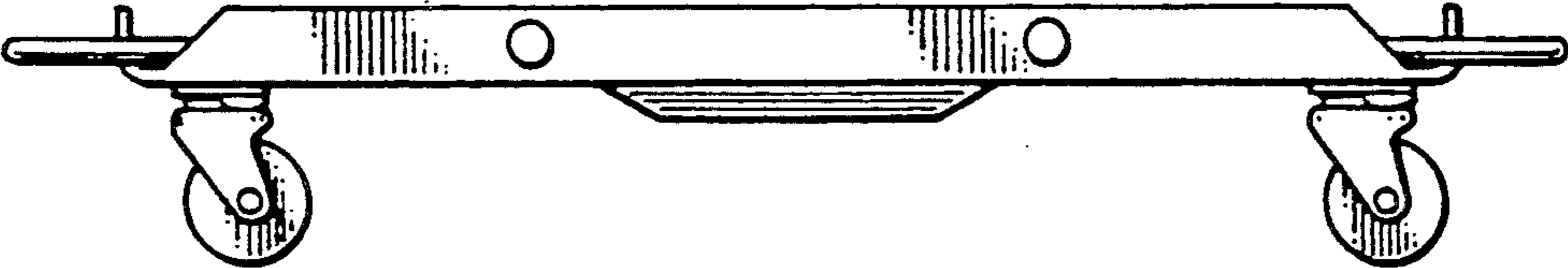


FIG. 6

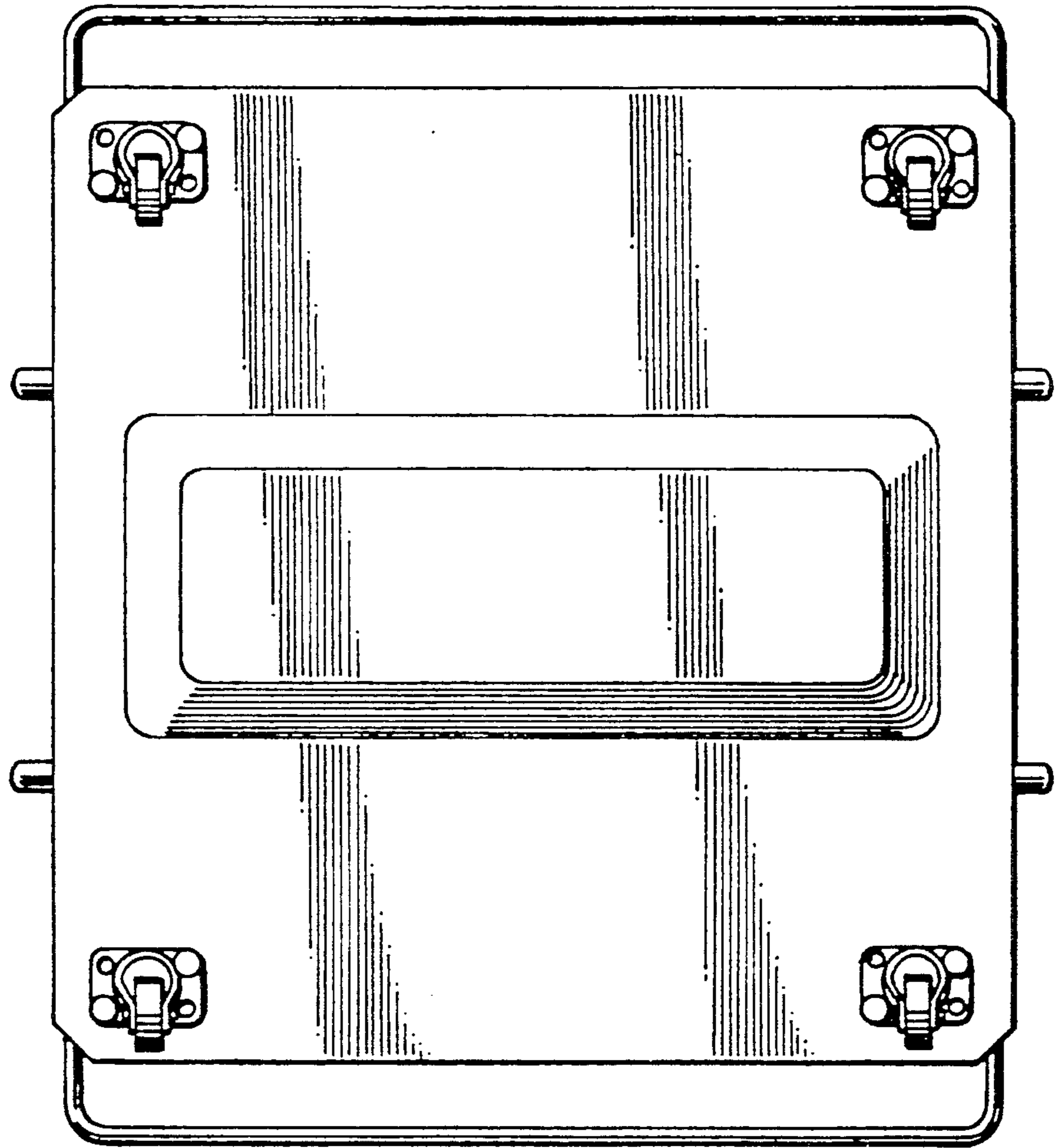


FIG. 4

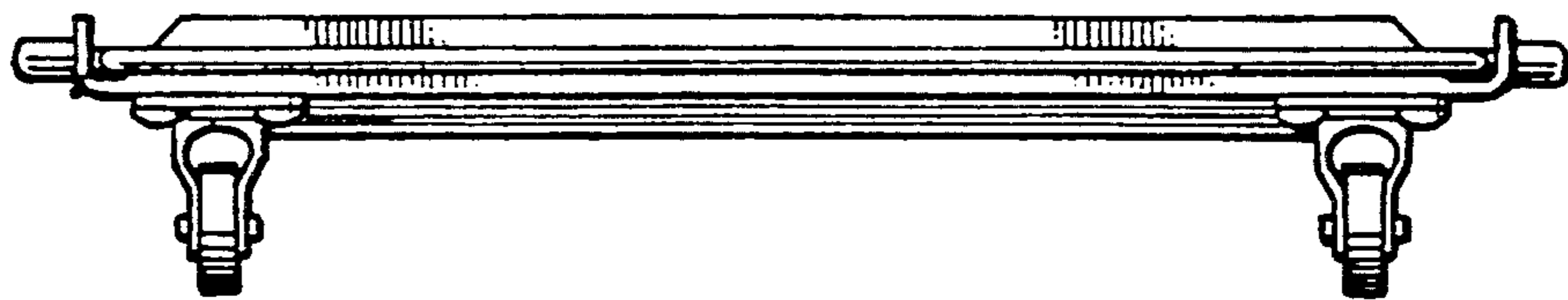


FIG. 5

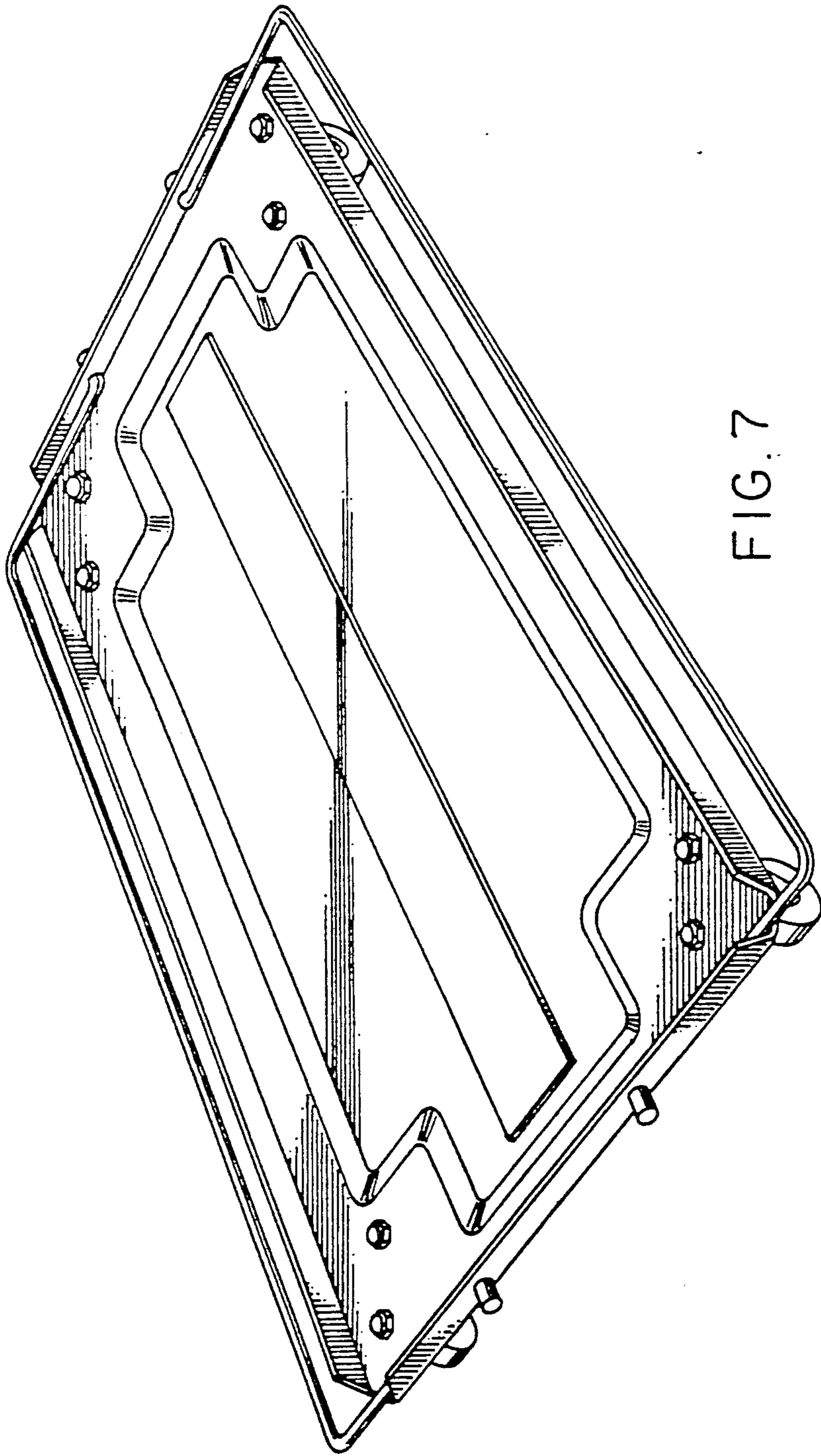


FIG. 7

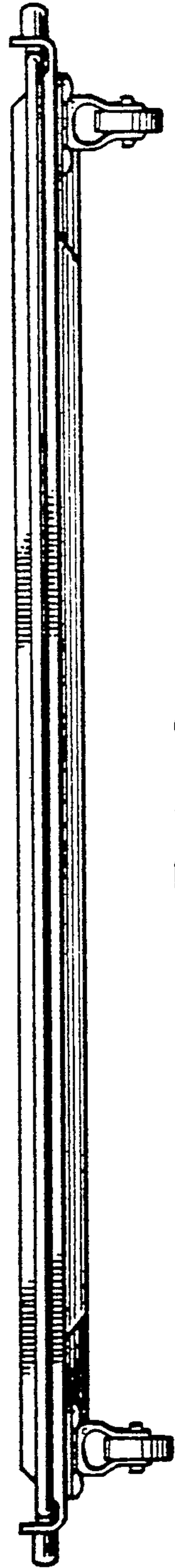


FIG. 10

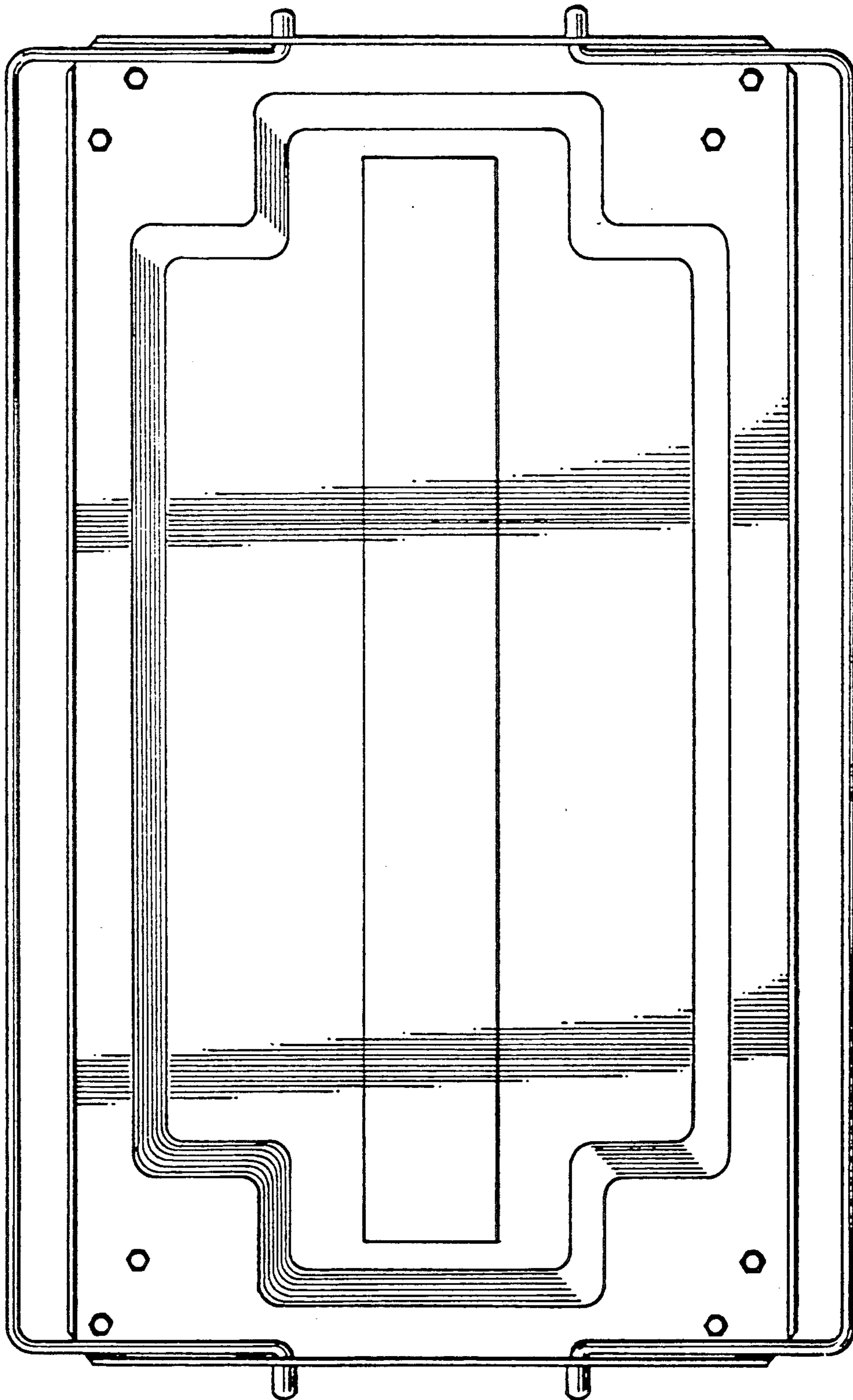


FIG. 8

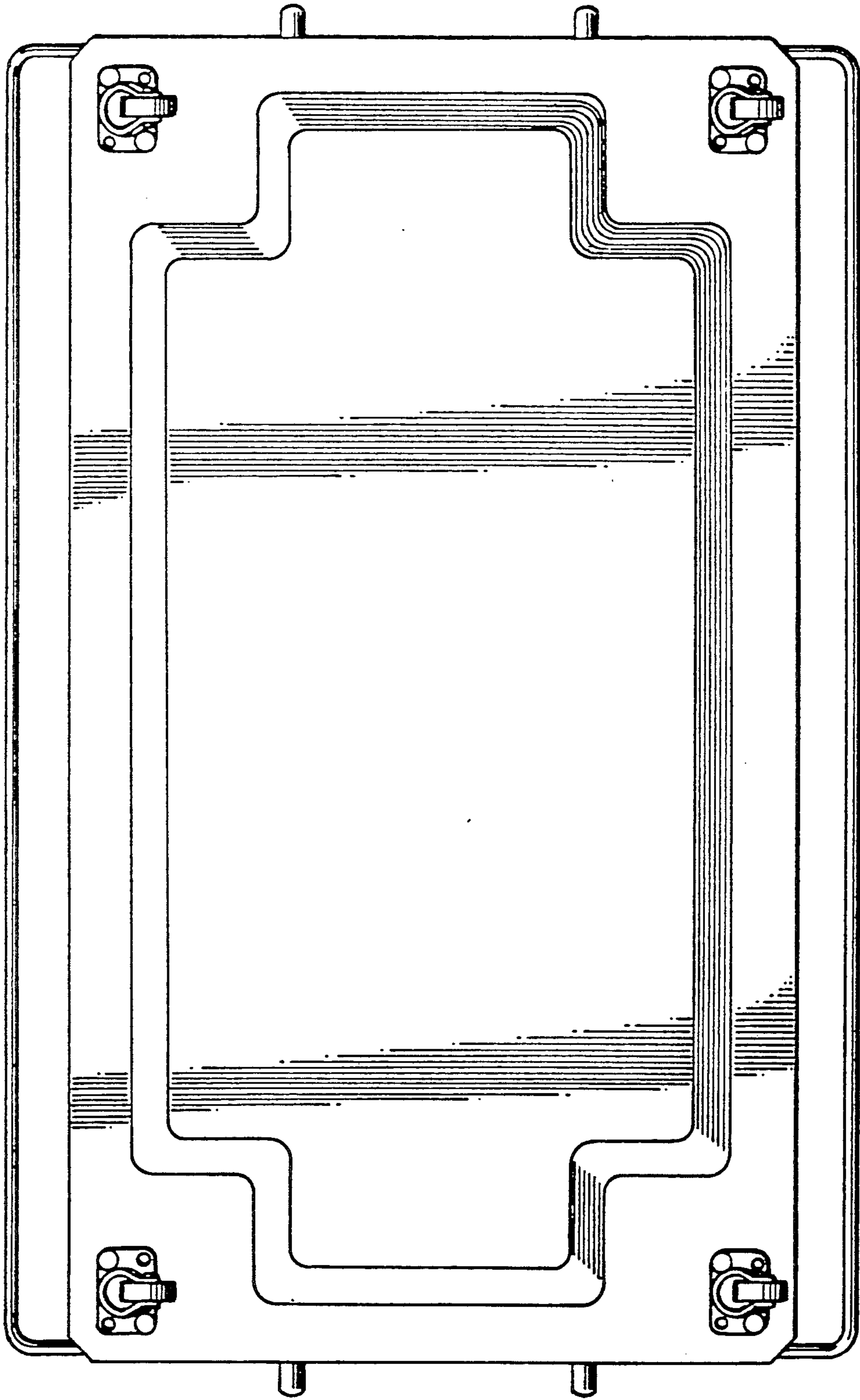


FIG. 9