



US00D327350S

United States Patent [19]

[11] Patent Number: Des. 327,350

Brown et al.

[45] Date of Patent: ** Jun. 23, 1992

[54] LAWN CART

4.341.393 7/1982 Gordon et al. .
4.635.956 1/1987 Morrissette .

[75] Inventors: Jerrold G. Brown, Wooster; Donald Embree, Uniontown, both of Ohio

OTHER PUBLICATIONS

[73] Assignee: Rubbermaid Incorporated, Wooster, Ohio

Catalog Page, Duncraft, street address unknown, Penacook, N.H. 03303, Publication date 1984, Space-saver cart No. SC10.

[**] Term: 14 Years

Page 10, Rubbermaid Commercial Products Inc., 3124 Valley Avenue, Winchester, Va. 22601, Publication date 1989, Farm Cart No. 5642.

[21] Appl. No.: 552,026

[22] Filed: Jul. 13, 1990

[52] U.S. Cl. D34/16; D34/24

Primary Examiner—Kay H. Chin
Attorney, Agent, or Firm—Richard B. O'Planick

[58] Field of Search D34/16, 18, 12;
280/47.26, 47.31, 653

[57] CLAIM

[56] References Cited

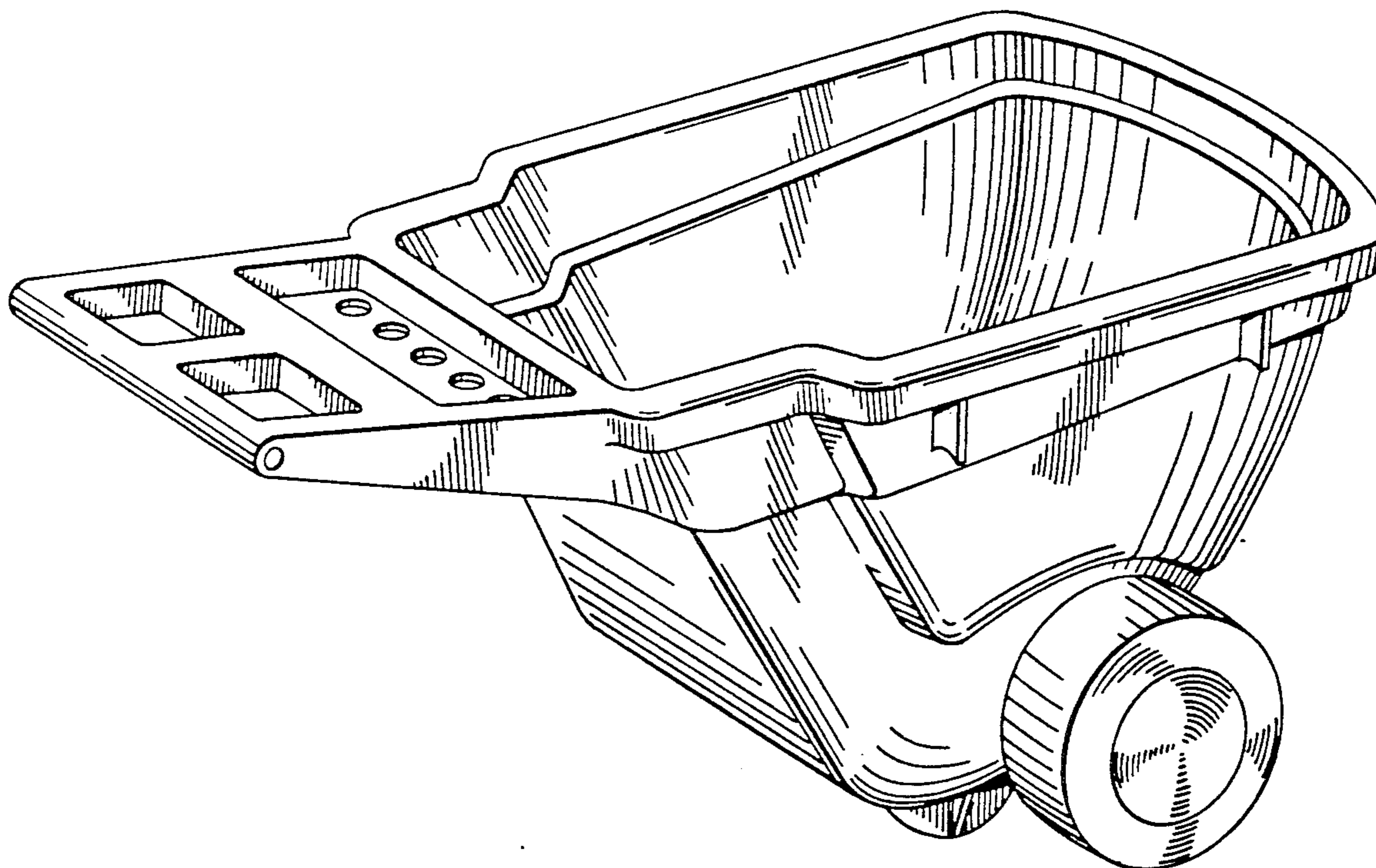
The ornamental design for a lawn cart, as shown and described.

U.S. PATENT DOCUMENTS

DESCRIPTION

D. 175,069	7/1955	Gandola .	
D. 311,621	10/1990	Fuller	D34/18
D. 318,165	7/1991	Ayres	D34/26
D. 318,551	7/1991	Ayres	D34/24
D. 321,579	11/1991	Ayres	D34/16
2,102,684	12/1937	Dorward	D34/16
3,024,547	3/1962	Harrison	280/47.26
3,479,048	11/1969	Carlson .	
3,950,004	4/1976	Olsson .	
4,335,897	6/1982	Muller .	

FIG. 1 is a right front perspective view of a lawn cart showing our new design;
FIG. 2 is a left side elevational view thereof; the opposite side being a mirror image;
FIG. 3 is a top plan view thereof;
FIG. 4 is a bottom plan view thereof;
FIG. 5 is a rear elevational view thereof; and,
FIG. 6 is a front elevational view thereof.



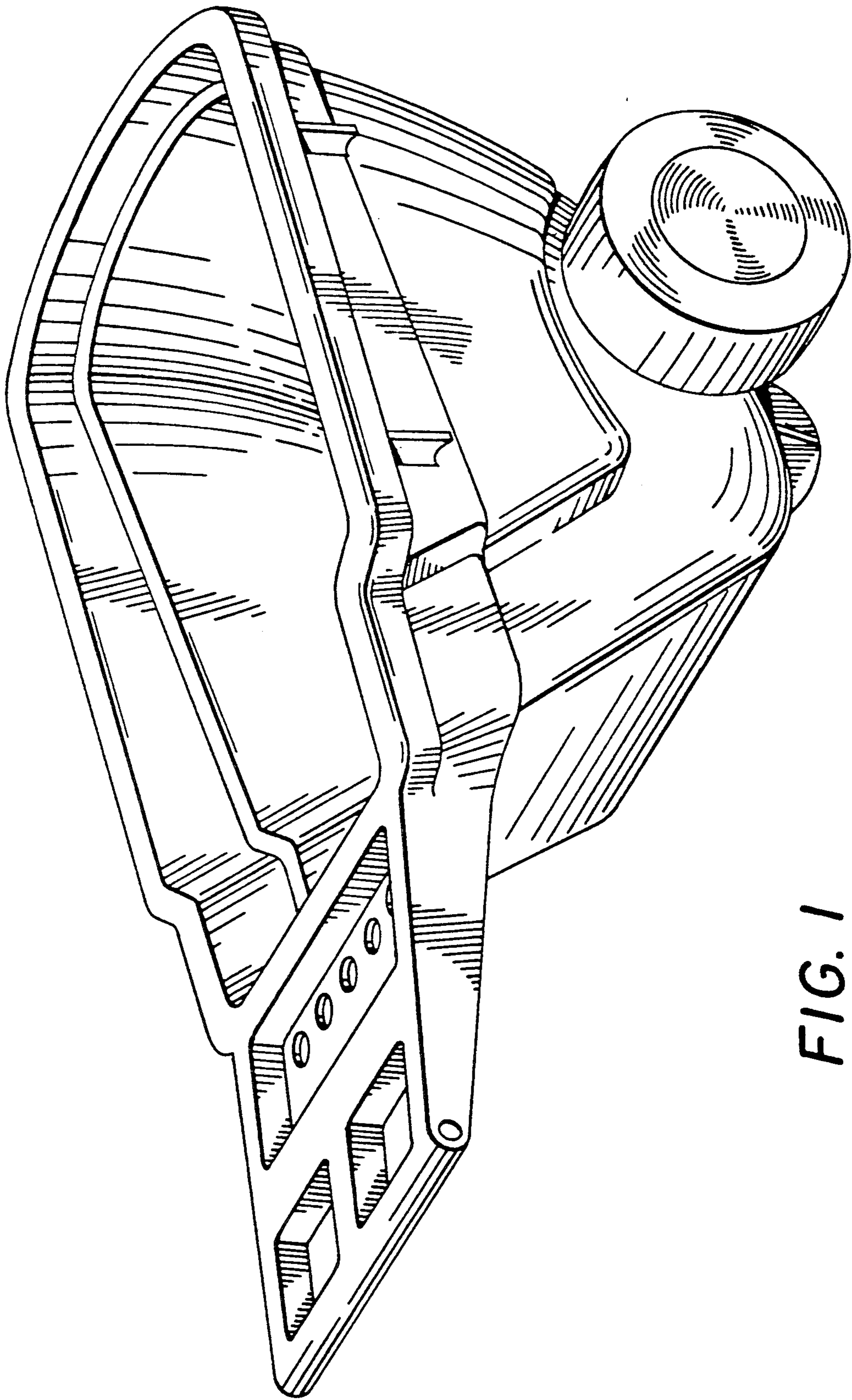


FIG. 1

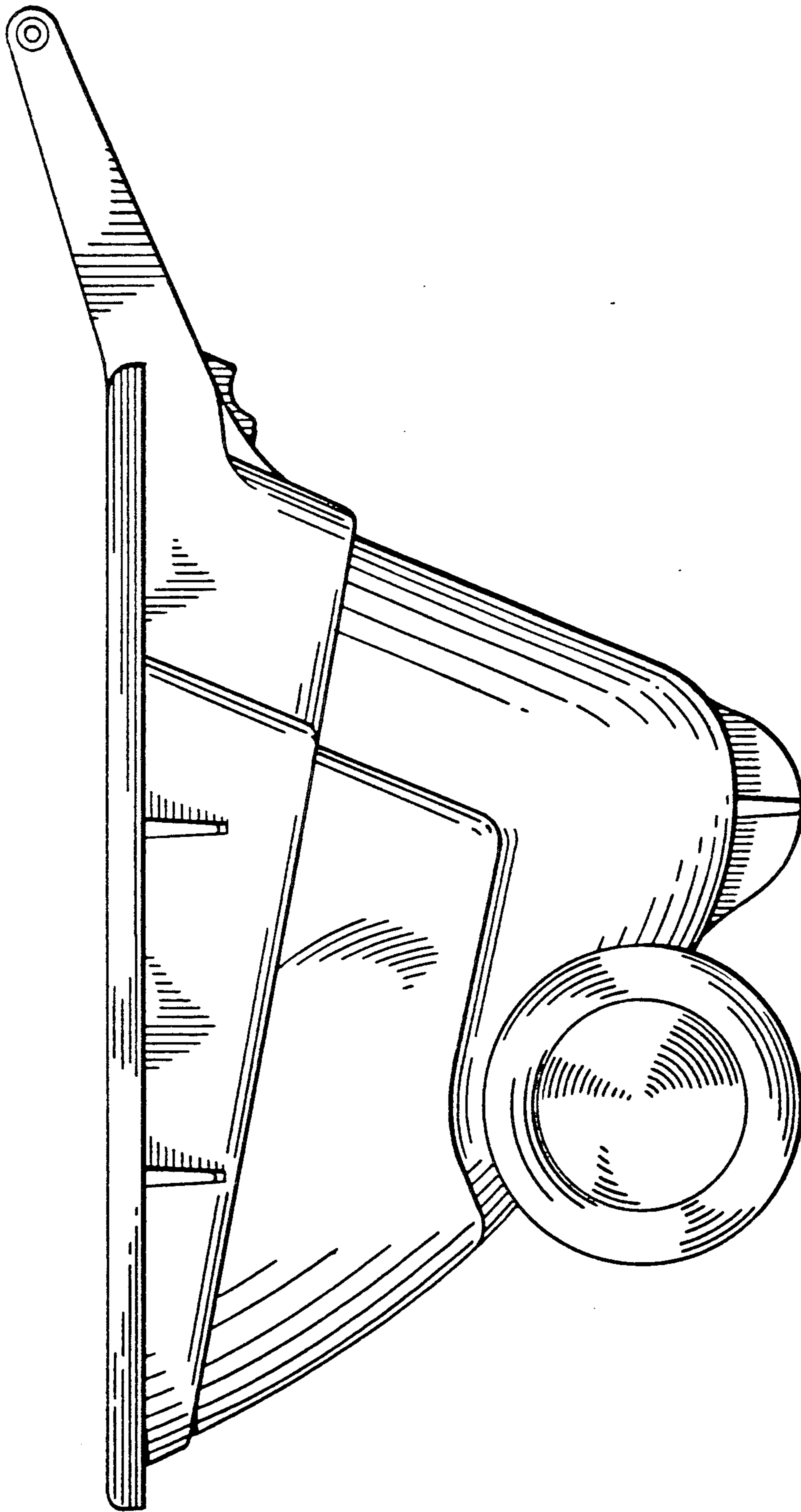


FIG. 2

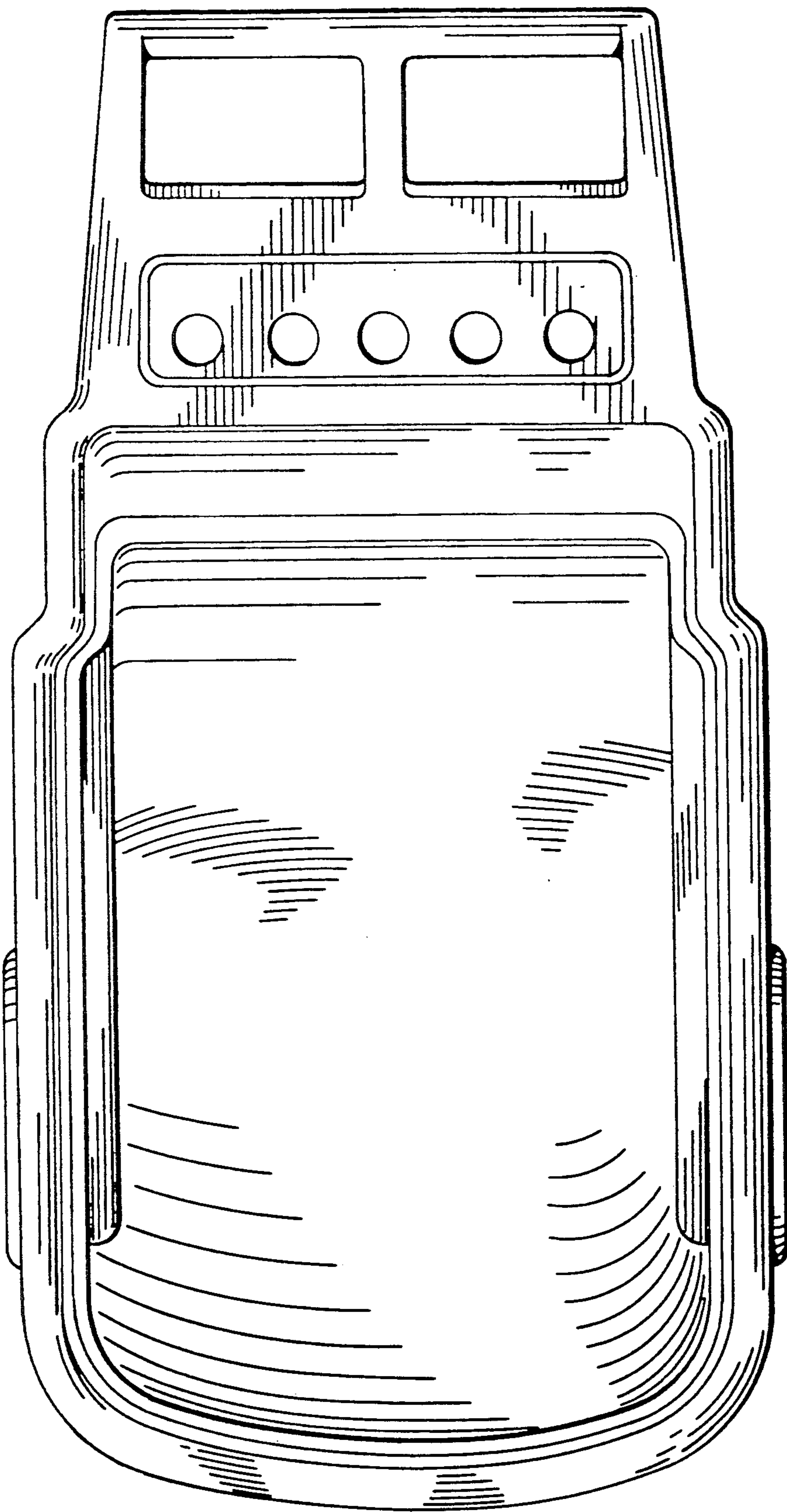


FIG. 3

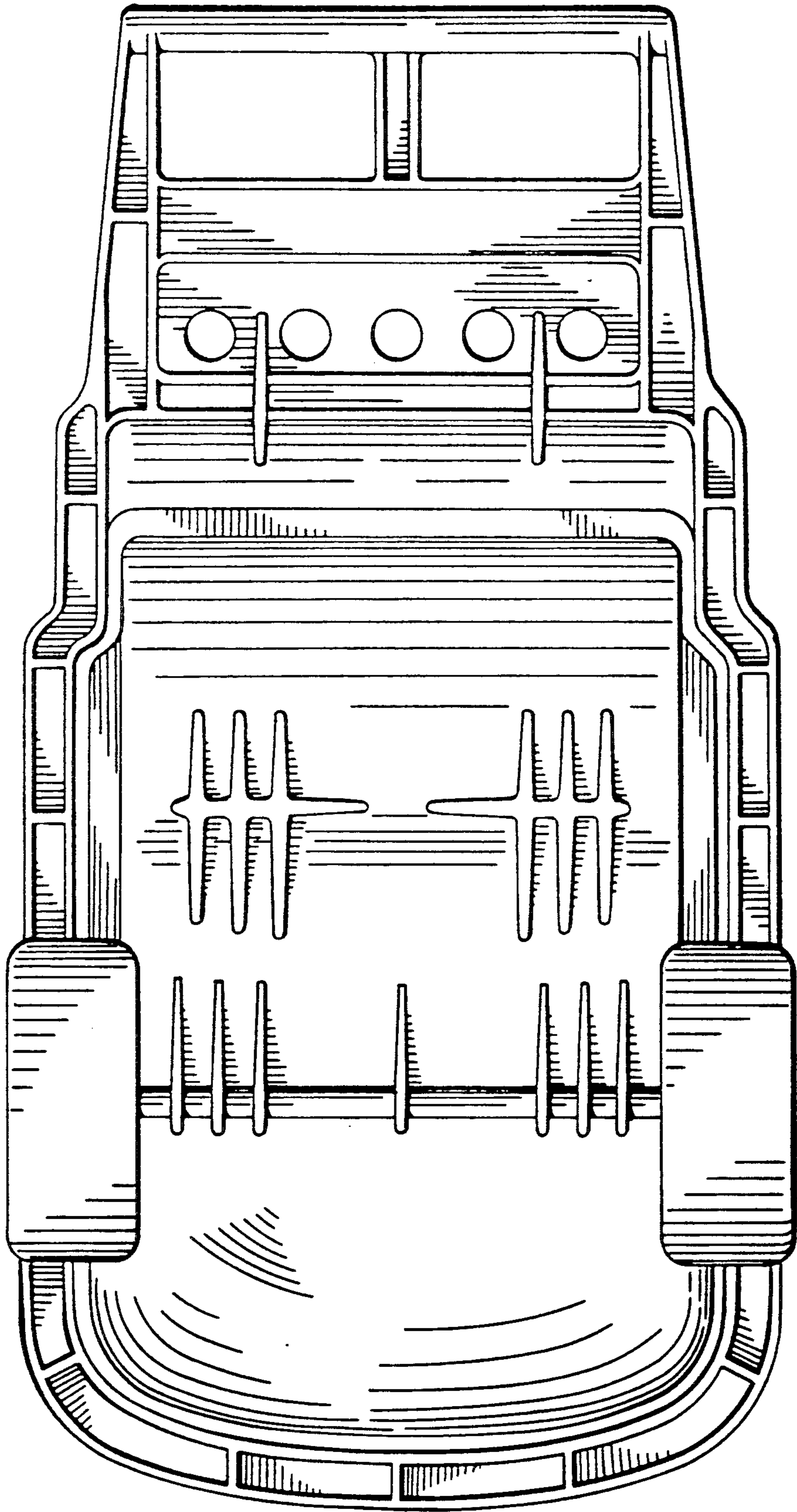


FIG. 4

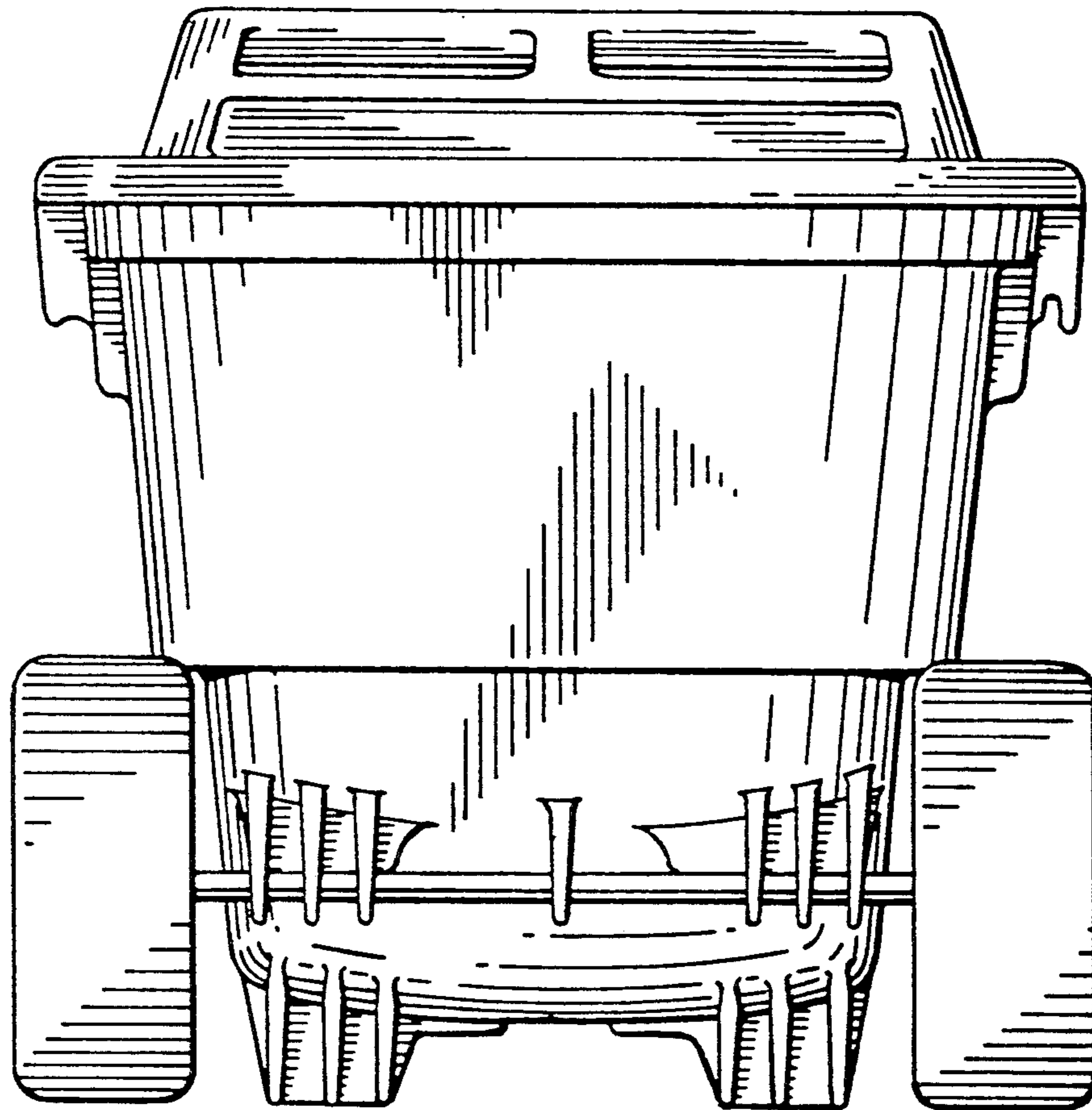


FIG. 5

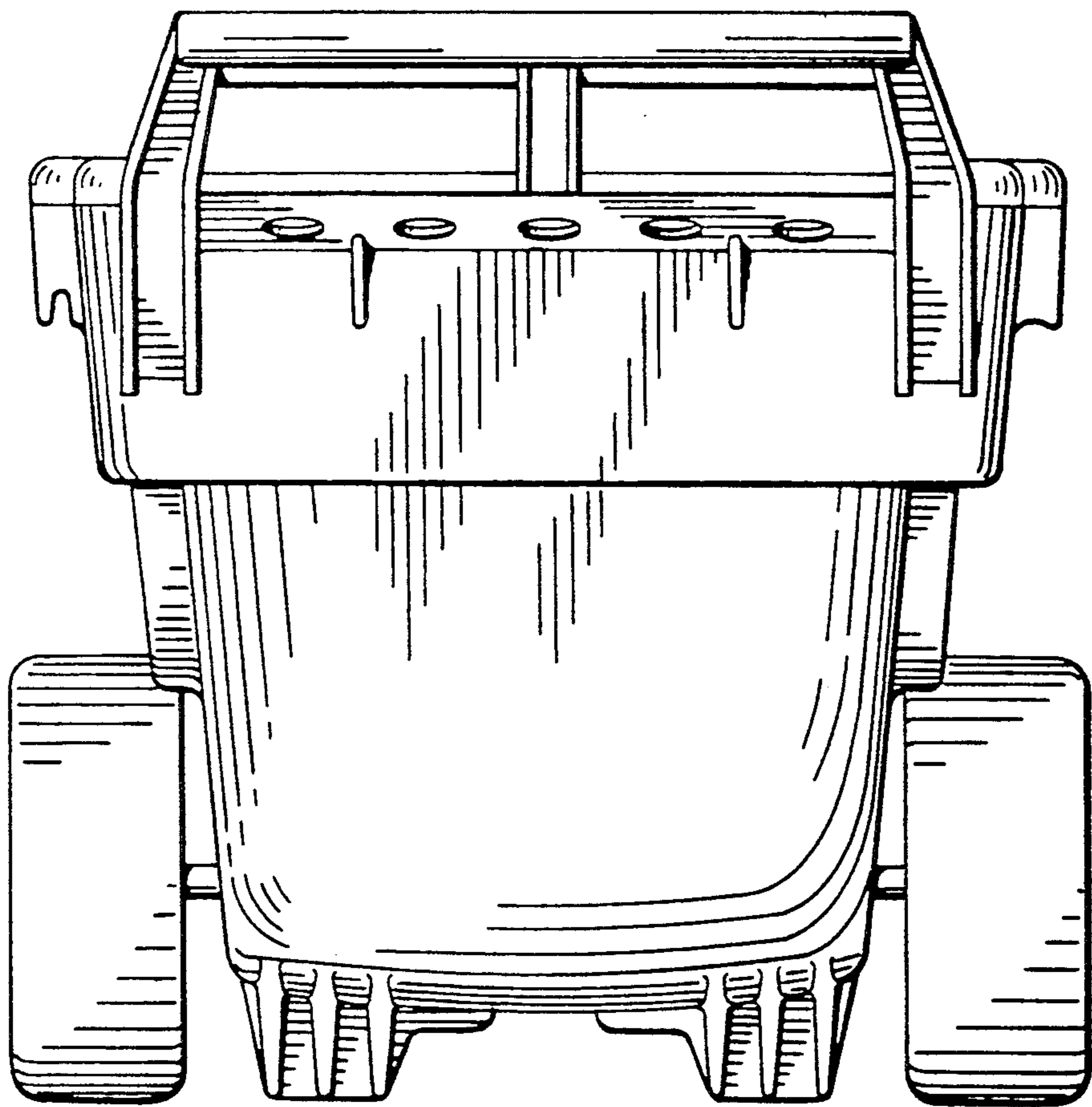


FIG. 6