



US00D327348S

United States Patent [19]

[11] Patent Number: **Des. 327,348**

Skorheim

[45] Date of Patent: **** Jun. 23, 1992**

[54] FOLDED LID FOR A BIN

[75] Inventor: **Adrian W. Skorheim**, St. Louis Park, Minn.

[73] Assignee: **Liberty Diversified Industries**, New Hope, Minn.

[**] Term: **14 Years**

[21] Appl. No.: **471,813**

[22] Filed: **Jan. 29, 1990**

[52] U.S. Cl. **D34/11; D9/435**

[58] Field of Search **D34/1, 10, 11; 220/908, 220/909, 318, 72; 232/43.2; D9/432, 414, 433, 435**

[56] **References Cited**

U.S. PATENT DOCUMENTS

3,321,130	5/1967	Cleghorn	232/43.2
4,444,355	4/1984	Cary	220/908
4,801,035	1/1989	Sugiyama et al.	D34/11

Primary Examiner—Kay H. Chin

Attorney, Agent, or Firm—Moore & Hansen

[57] **CLAIM**

The ornamental design for a folded lid for a bin, as shown and described.

DESCRIPTION

FIG. 1 is a top and front perspective view of a folded lid for a bin showing my new design; the broken lines are for illustrative purposes only and form no part of the claimed design;

FIG. 2 is a bottom plan view thereof;

FIG. 3 is a right side elevation view thereof;

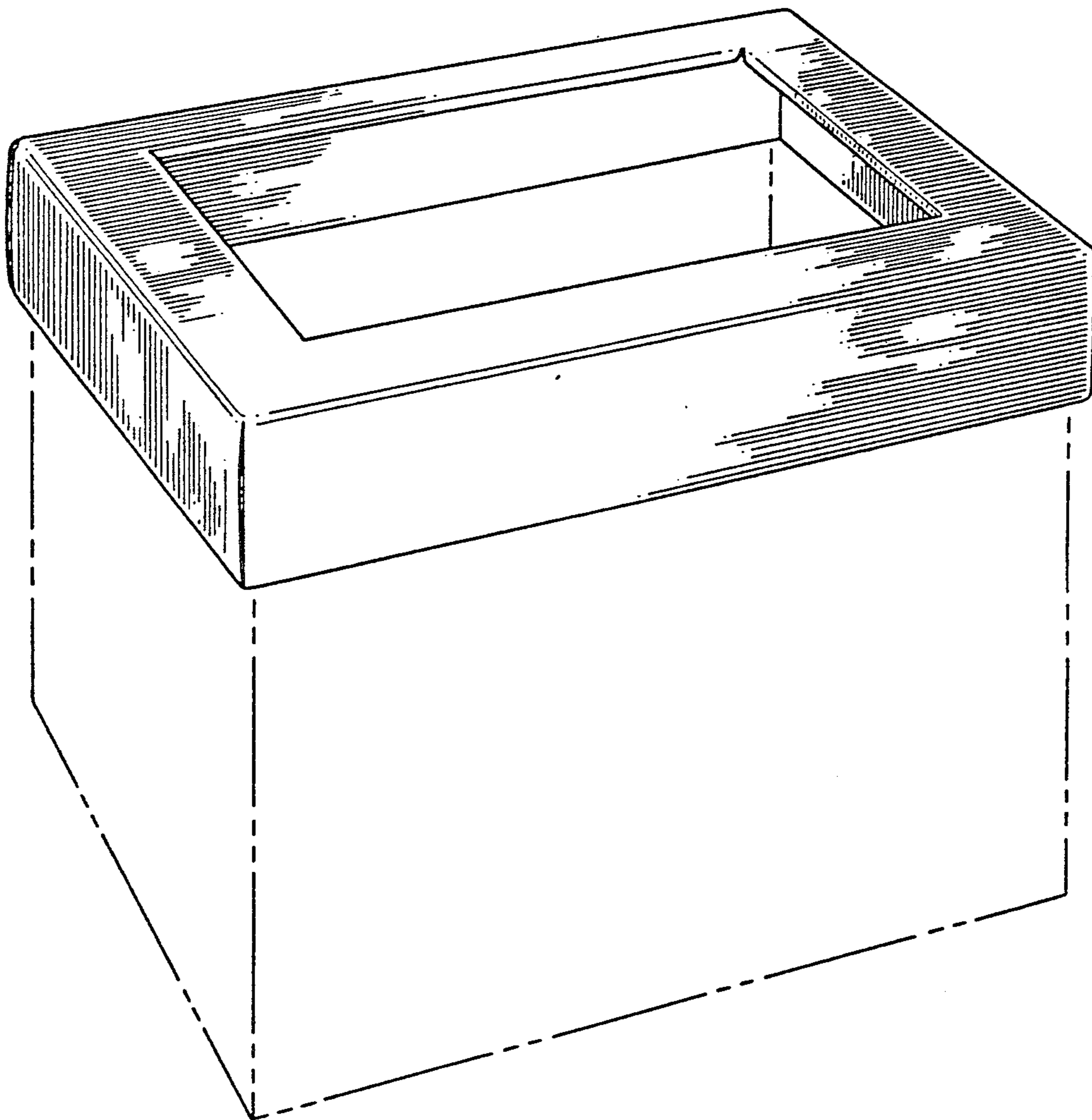
FIG. 4 is a front elevation view thereof;

FIG. 5 is a left side elevation view thereof;

FIG. 6 is a rear elevation view thereof;

FIG. 7 is a cross sectional view thereof taken along the line 7—7 of FIG. 2; and,

FIG. 8 is a cross sectional view thereof taken along the line 8—8 of FIG. 2.



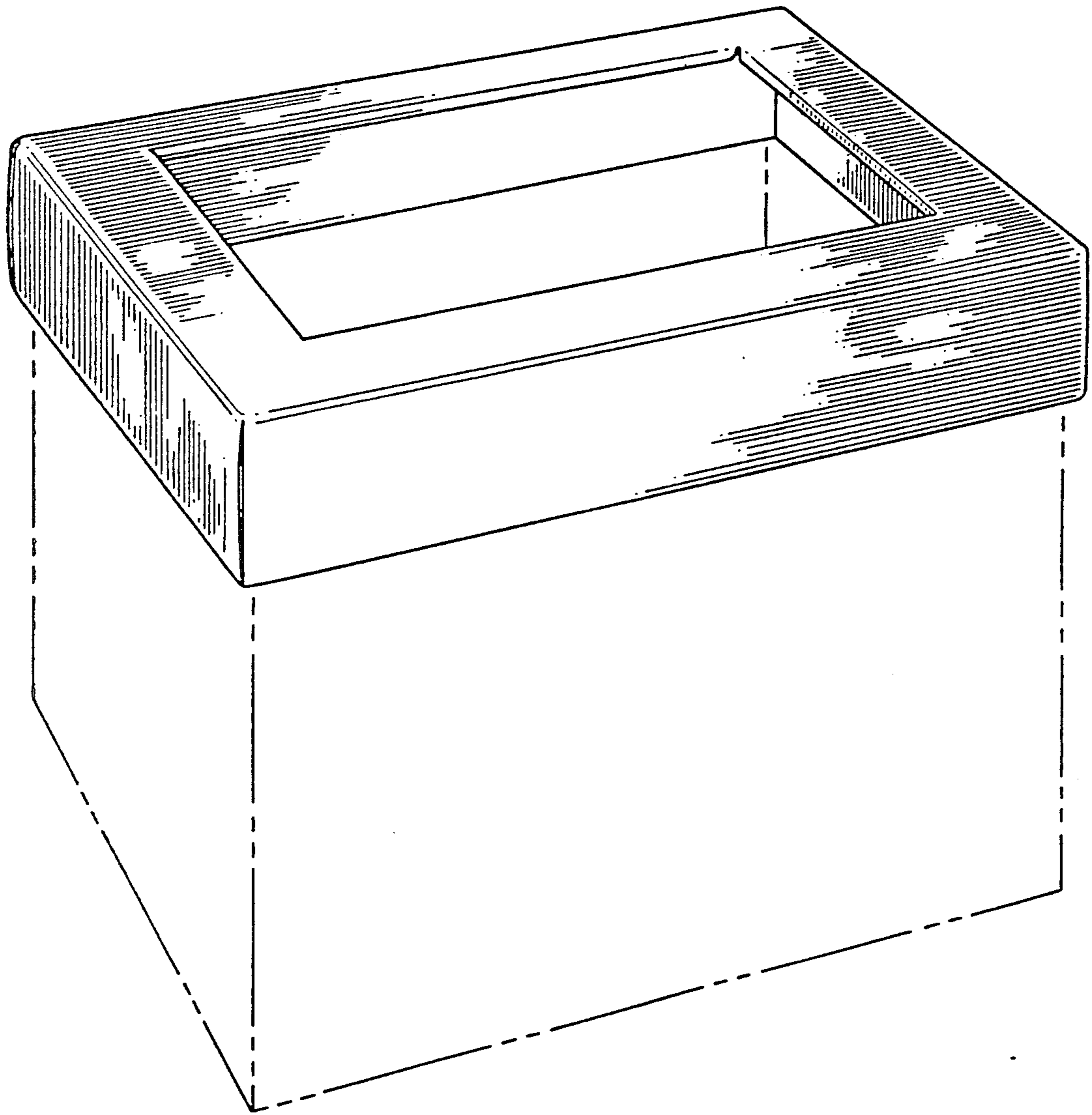


FIG. 1

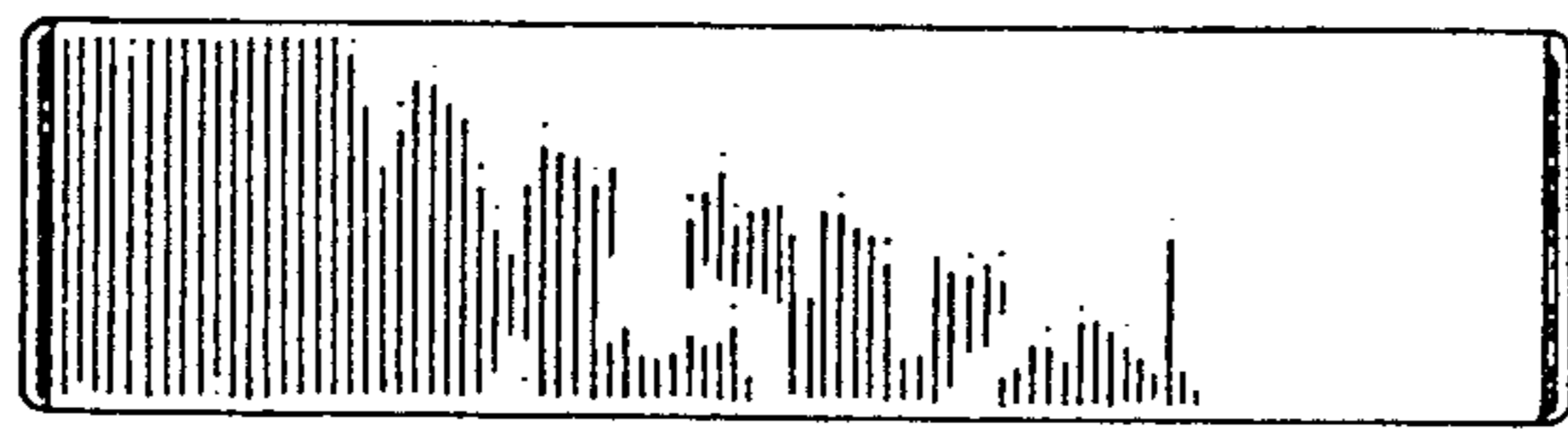


FIG. 3

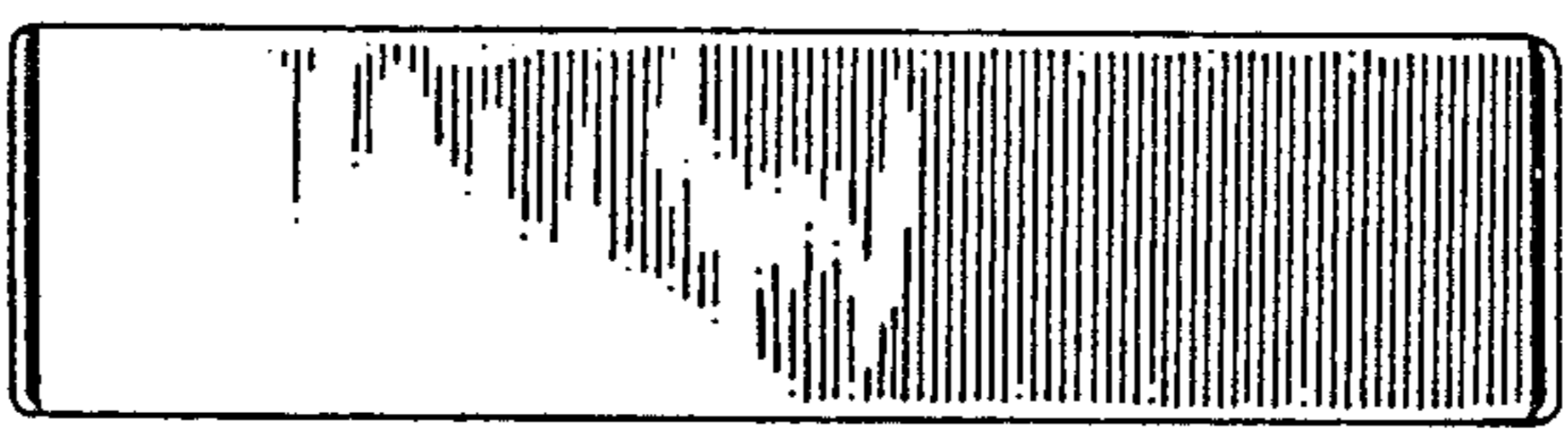
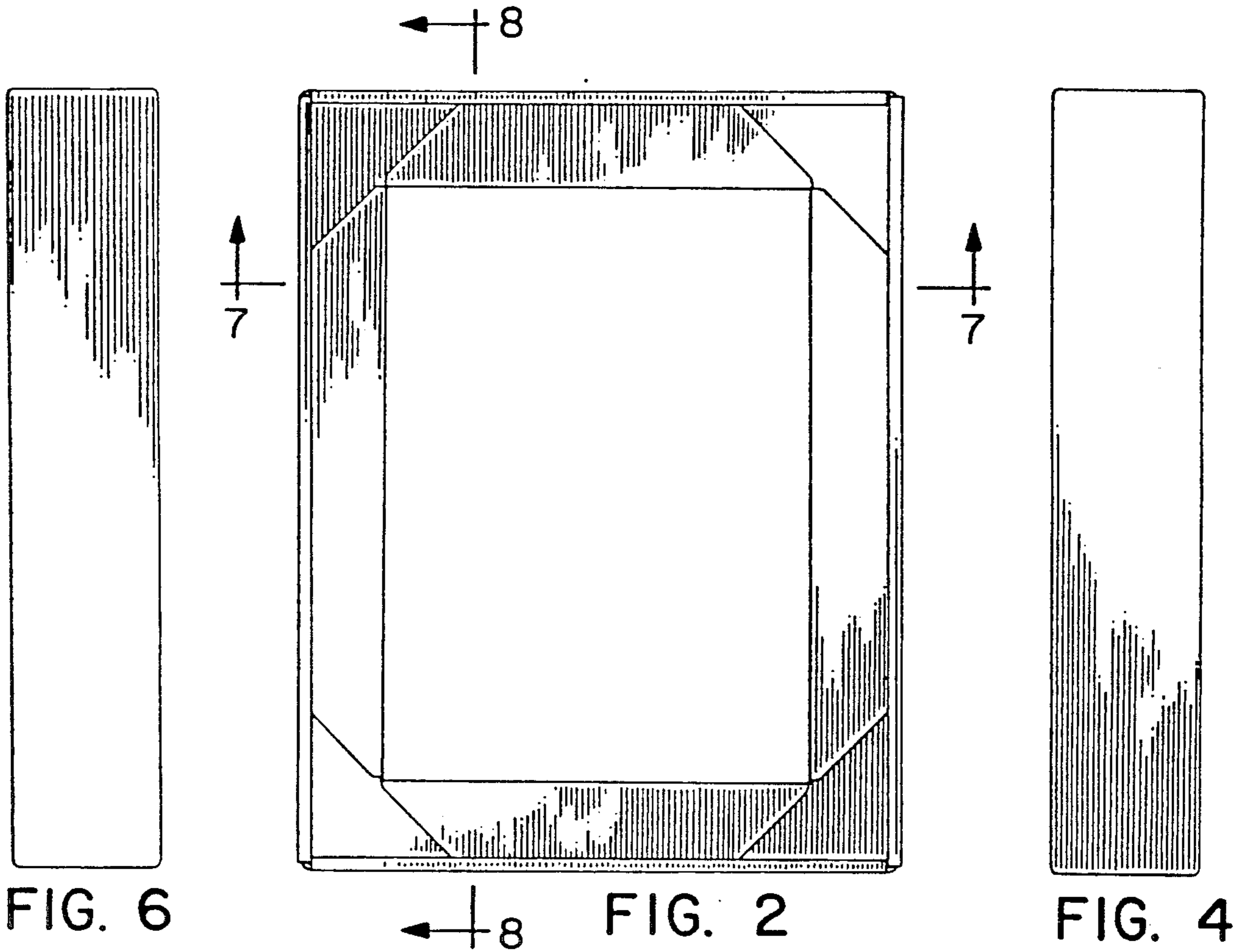


FIG. 5

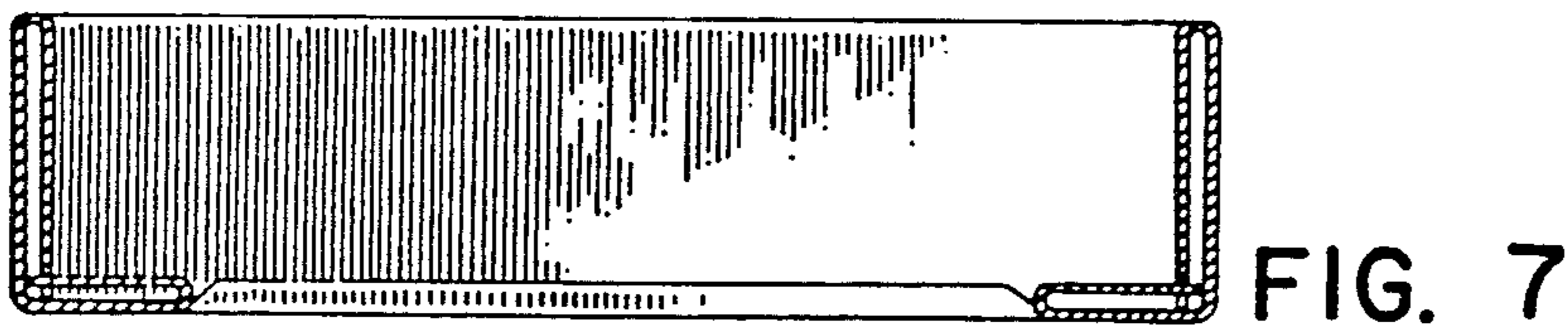


FIG. 7

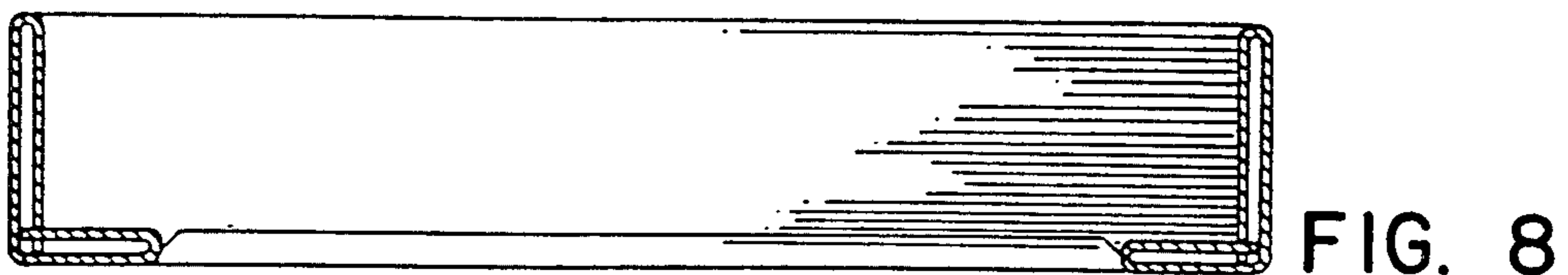


FIG. 8