



US00D327342S

**United States Patent** [19]  
**Leung**

[11] **Patent Number: Des. 327,342**  
[45] **Date of Patent: \*\* Jun. 23, 1992**

[54] **HAND HELD VACUUM CLEANER**

[75] **Inventor: Wai K. Leung, Kowloon, Hong Kong**

[73] **Assignee: Joiner Electric Products Co., Ltd., Kwai Chung, Hong Kong**

[\*\*] **Term: 14 Years**

[21] **Appl. No.: 543,303**

[22] **Filed: Jun. 25, 1990**

[52] **U.S. Cl. .... D32/18**

[58] **Field of Search ..... D32/17, 18; 15/344, 15/329; D28/49, 53**

[56] **References Cited**

**U.S. PATENT DOCUMENTS**

D. 287,657	1/1987	Yuen	.....	D32/18
D. 290,417	6/1987	Leung	.....	D32/18
D. 301,783	6/1989	Adams	.....	D32/18
D. 312,153	11/1990	Kwong	.....	D32/18
D. 312,516	11/1990	Yuen	.....	D32/18

*Primary Examiner*—A. Hugo Word

*Assistant Examiner*—Ruth McInroy

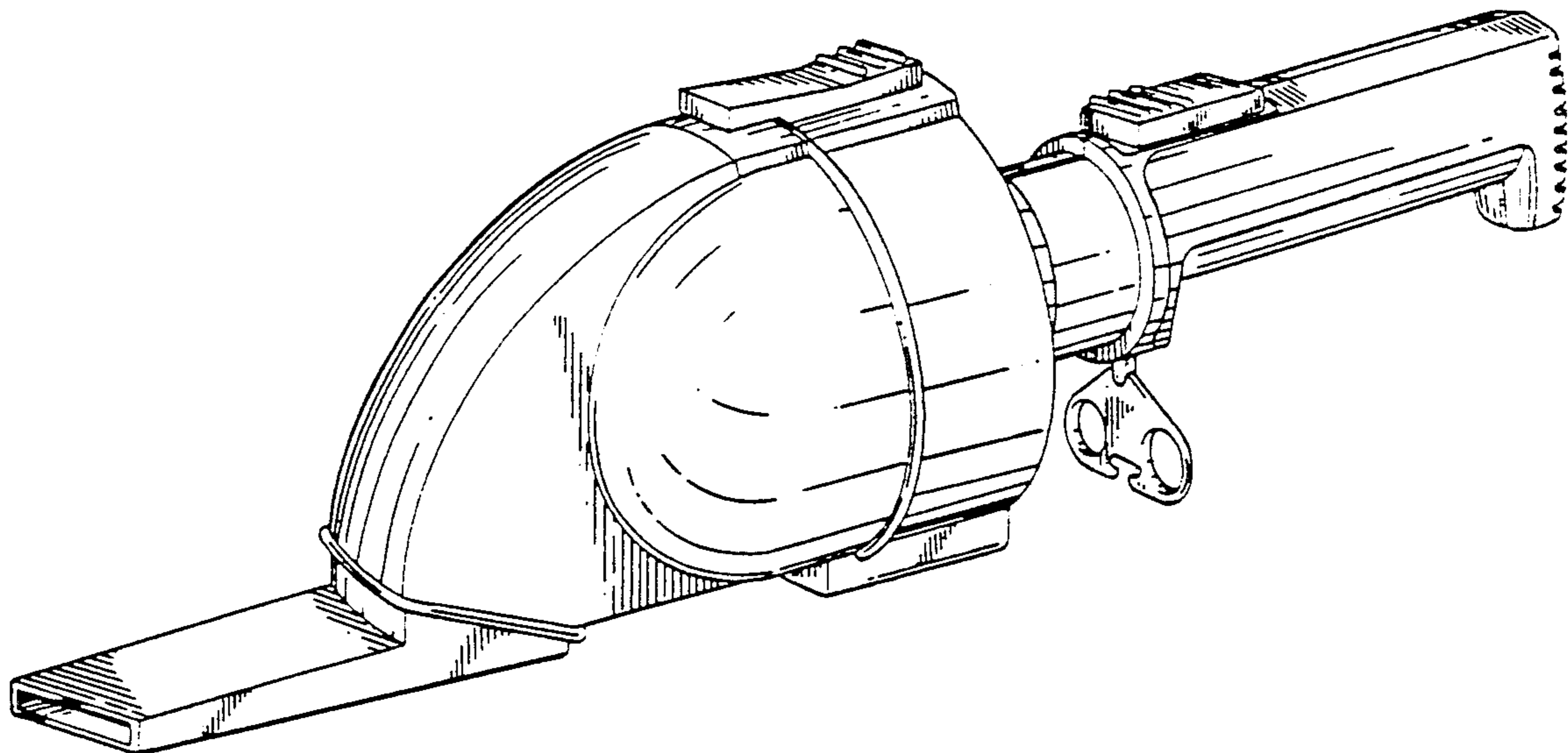
*Attorney, Agent, or Firm*—Sterne, Kessler, Goldstein & Fox

[57] **CLAIM**

The ornamental design for a hand held vacuum cleaner, as shown and described.

**DESCRIPTION**

FIG. 1 is a left side perspective view of a hand held vacuum cleaner showing my new design;  
 FIG. 2 is a right side elevational view thereof;  
 FIG. 3 is a left side elevational view thereof;  
 FIG. 4 is a top plan view thereof;  
 FIG. 5 is a bottom plan view thereof;  
 FIG. 6 is a front elevational view thereof;  
 FIG. 7 is a rear elevational view thereof;  
 FIG. 8 is an exploded left side perspective view thereof;  
 FIG. 9 is an exploded right side elevational view thereof;  
 FIG. 10 is an exploded left side elevational view thereof;  
 FIG. 11 is a top plan view thereof;  
 FIG. 12 is a bottom plan view thereof;  
 FIG. 13 is an exploded front elevational view thereof;  
 FIG. 14 is a rear elevational view thereof with the attachment removed; and,  
 FIG. 15 is a rear elevational view of the attachment.  
 FIG. 8-13 are shown exploded for clarity of illustration only.



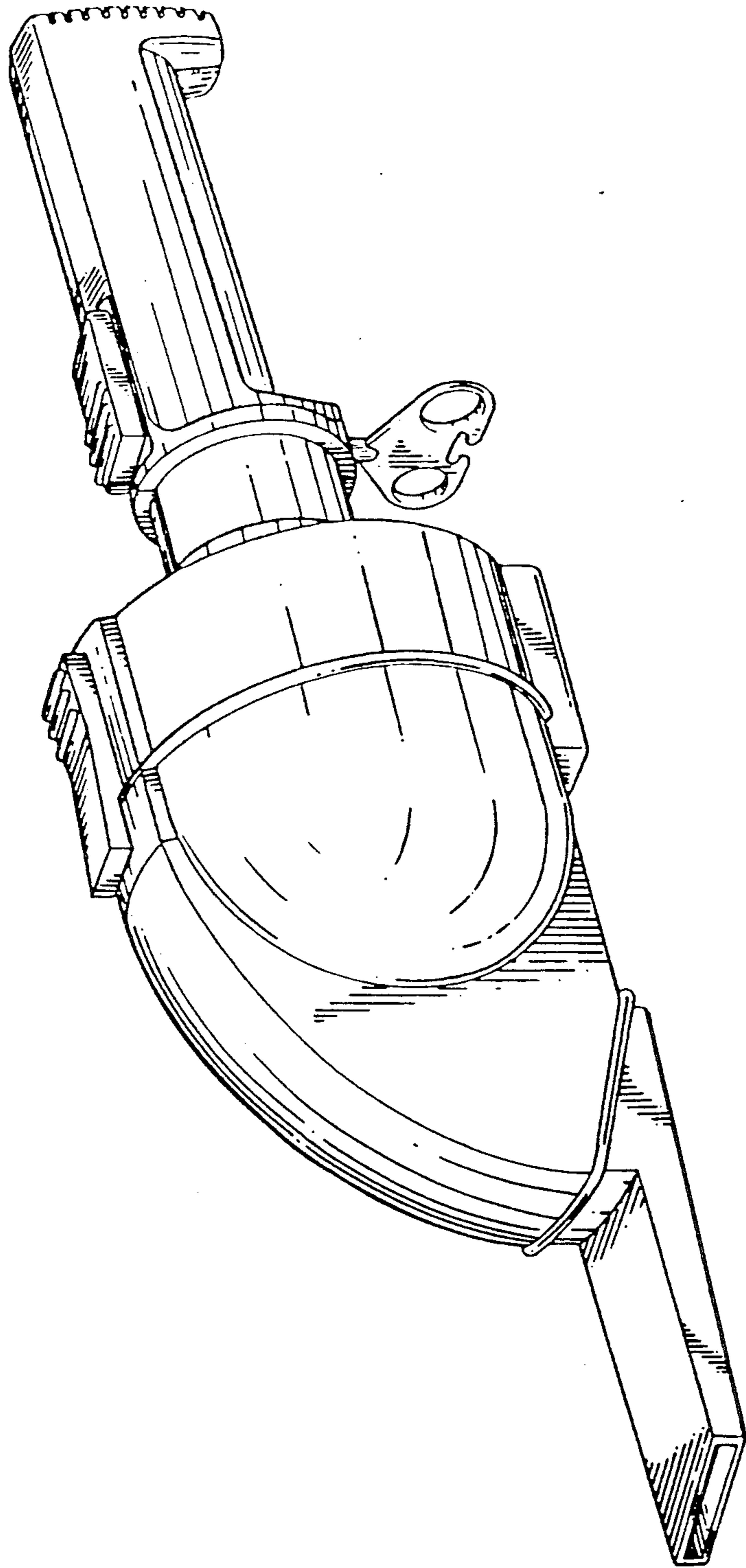


FIG. 1

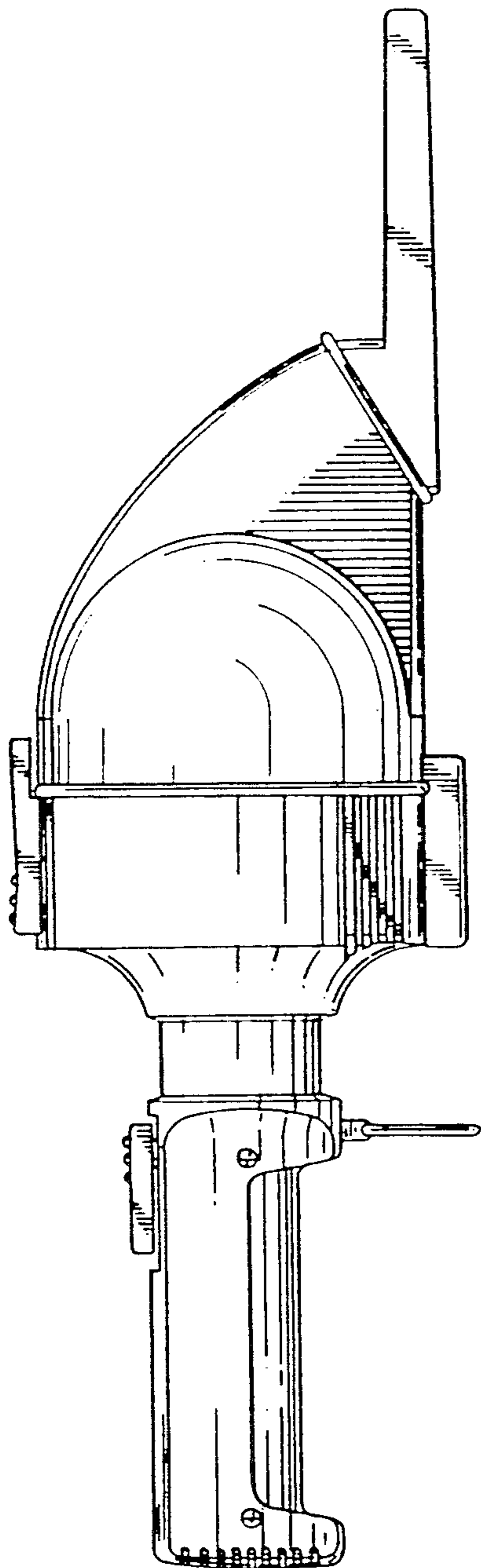


FIG. 2

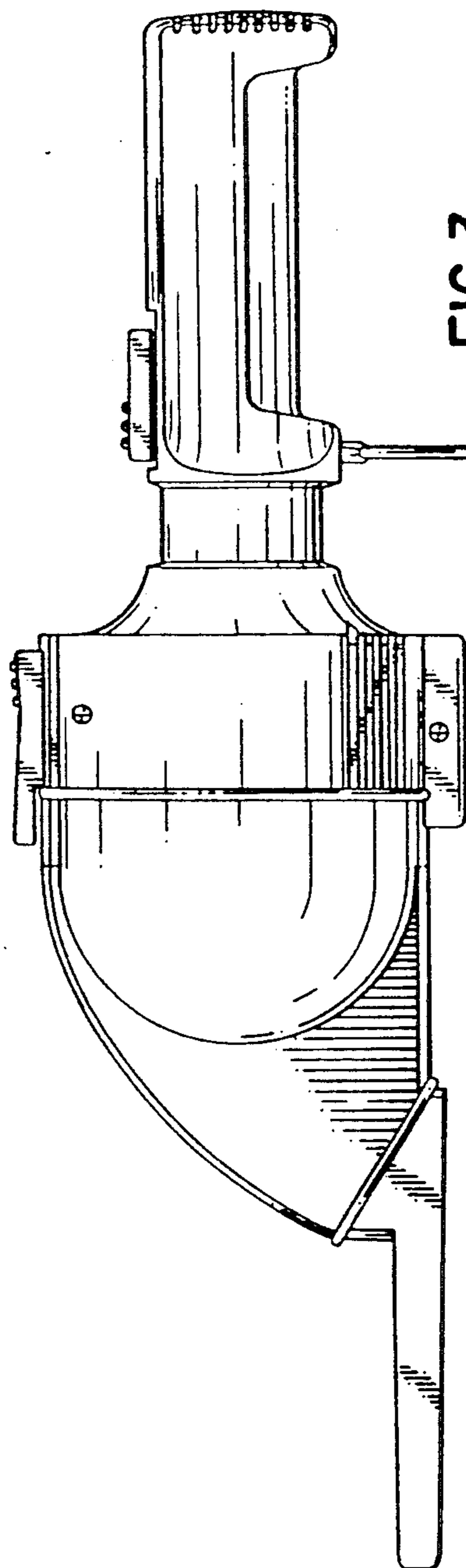


FIG. 3

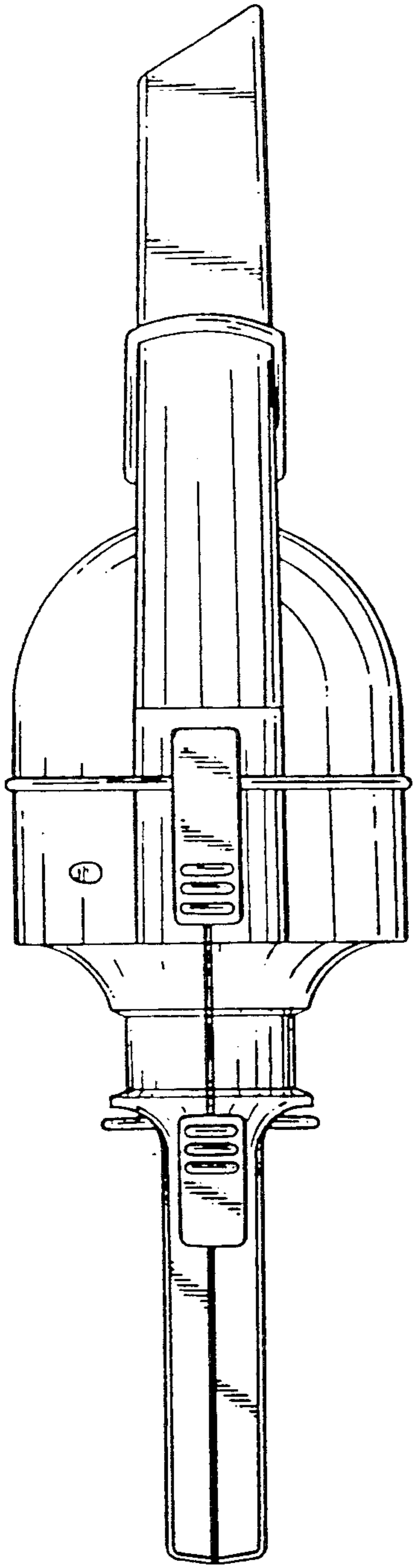


FIG. 4

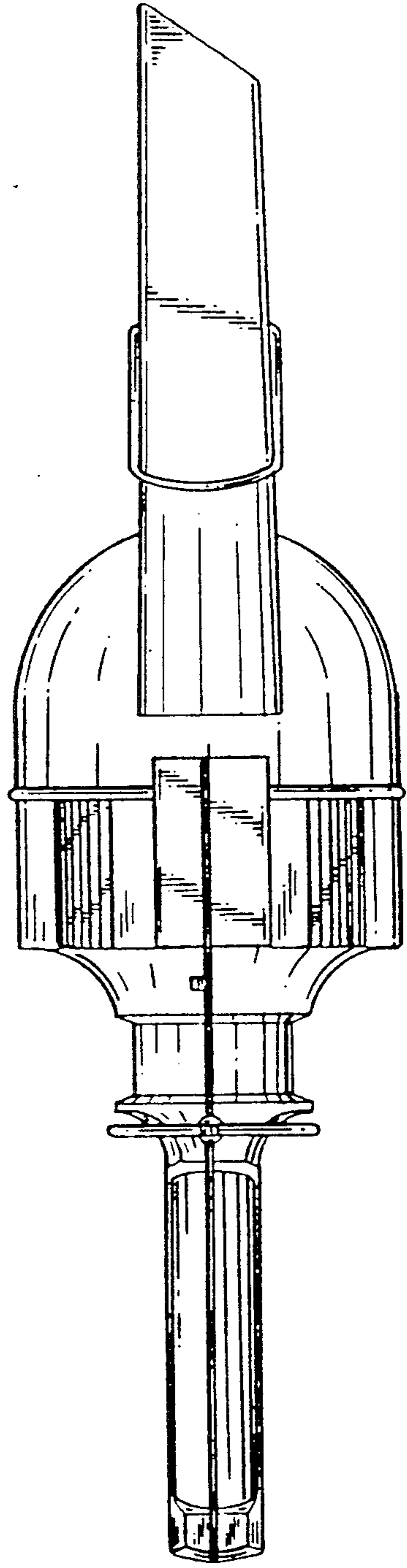


FIG. 5

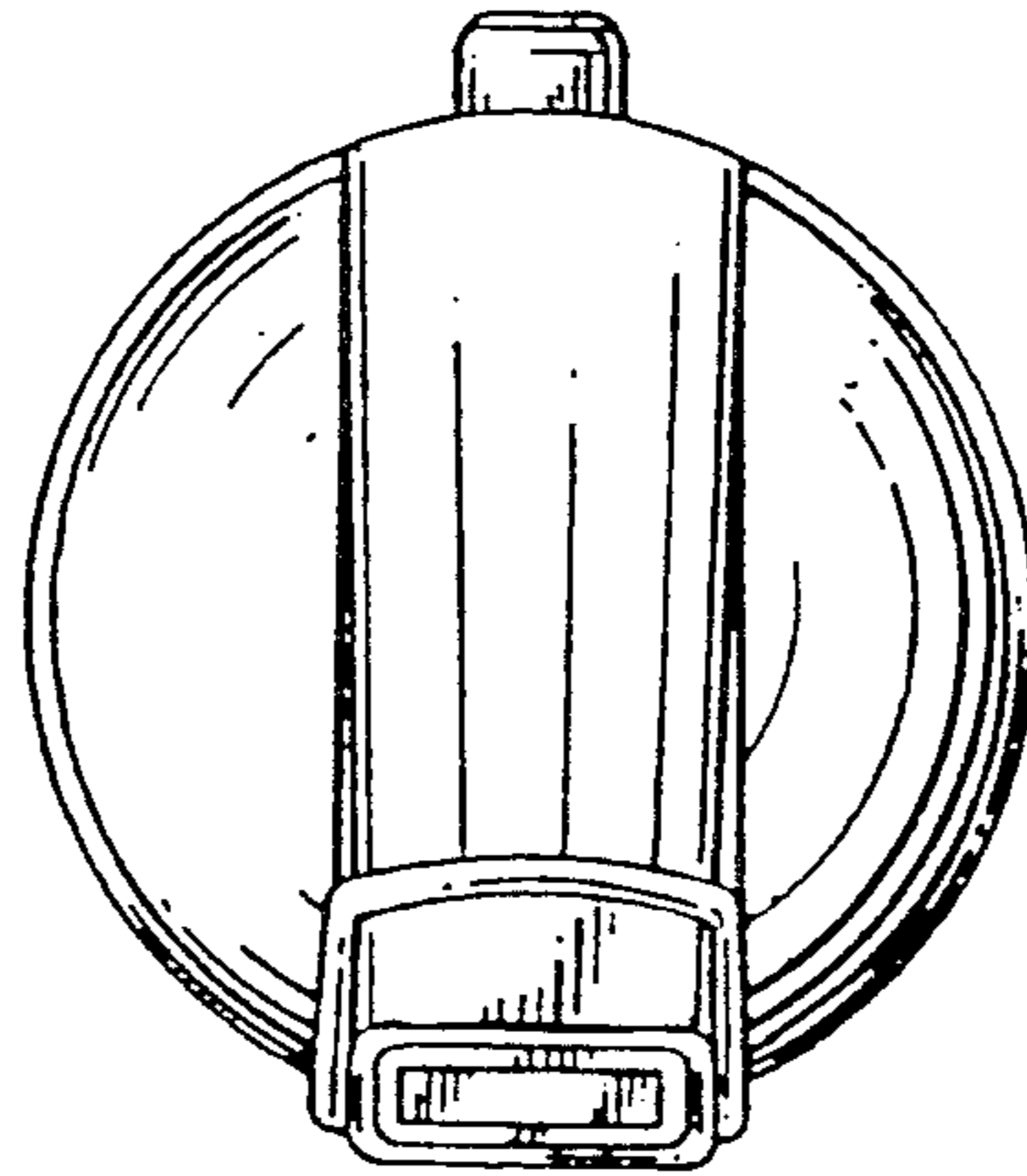


FIG. 6

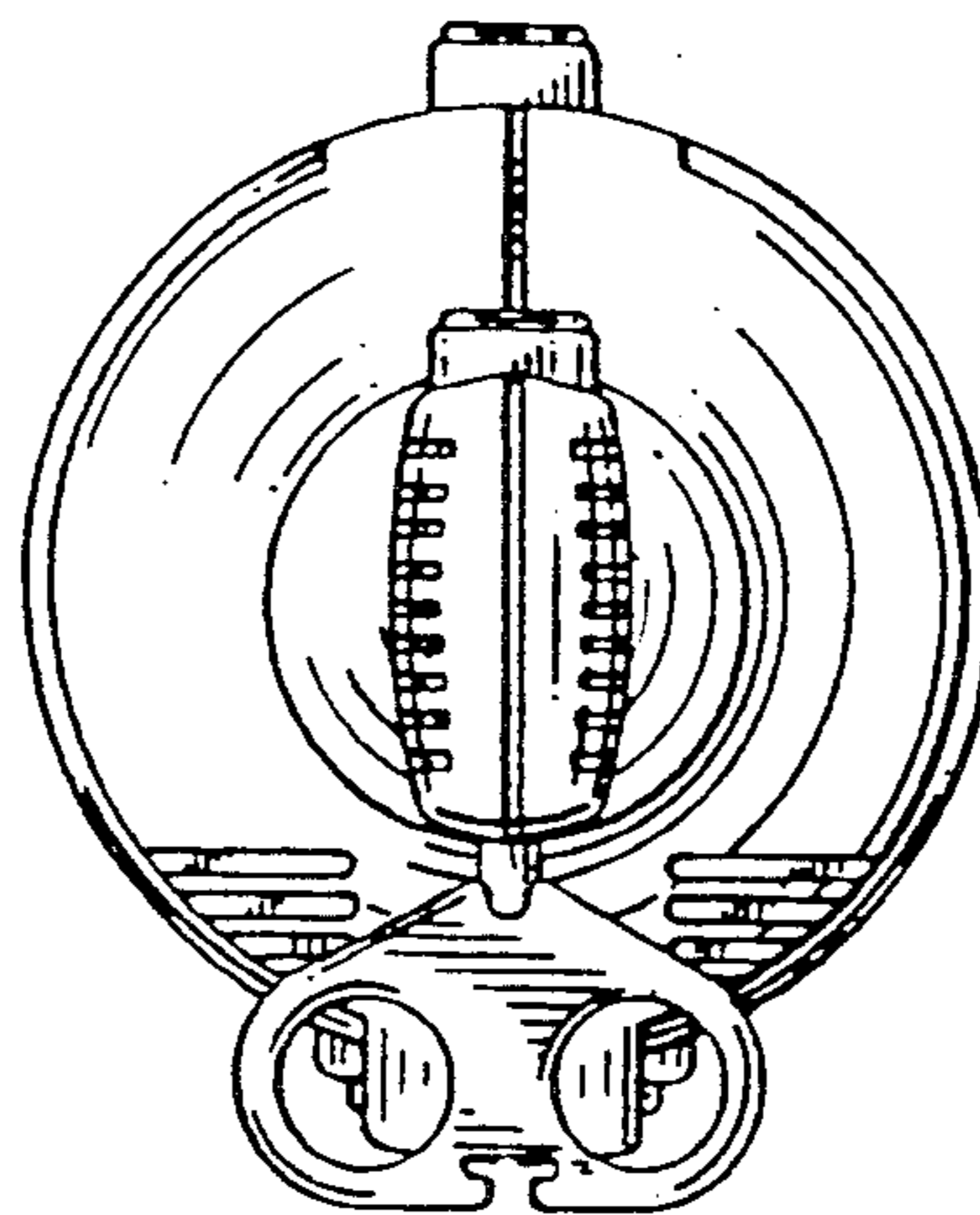


FIG. 7



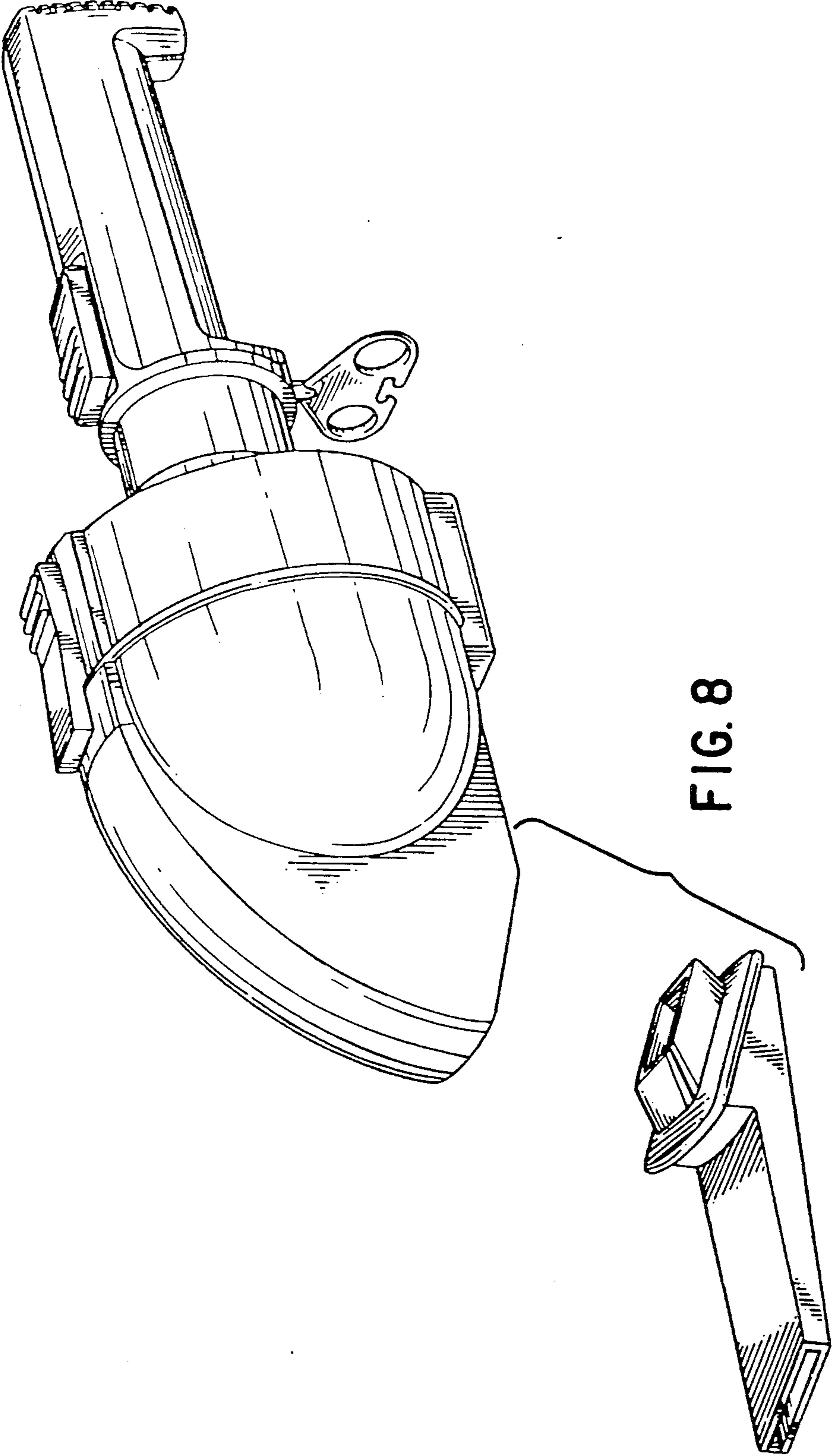
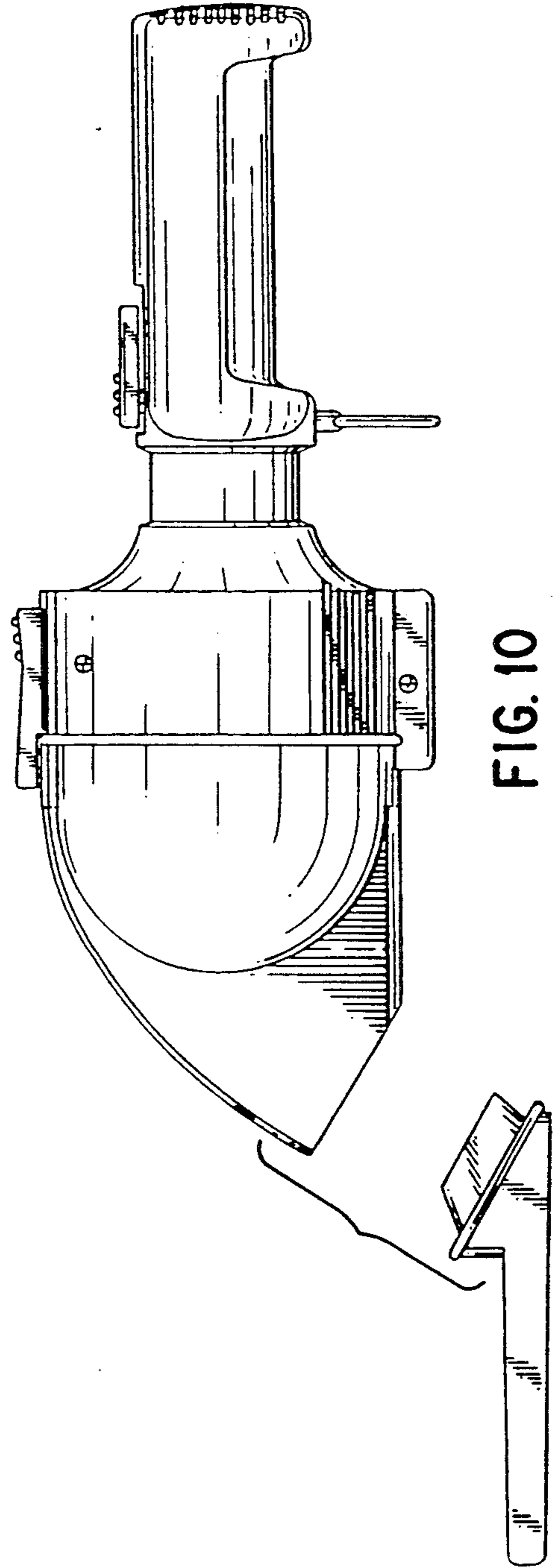
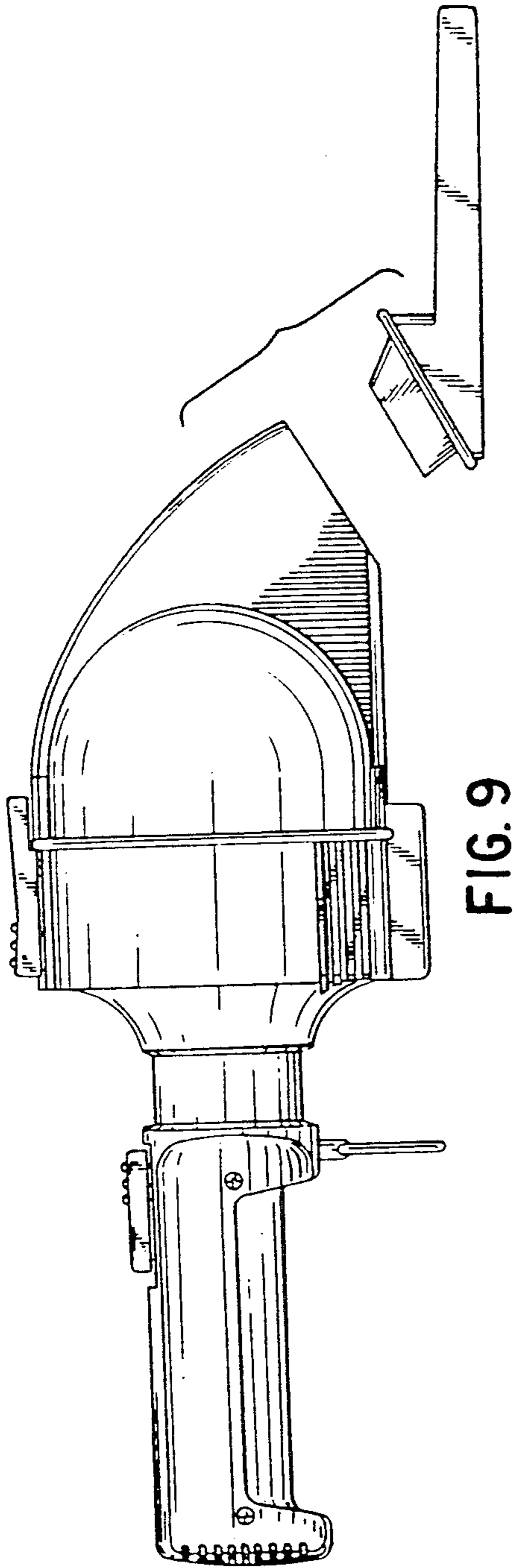


FIG. 8



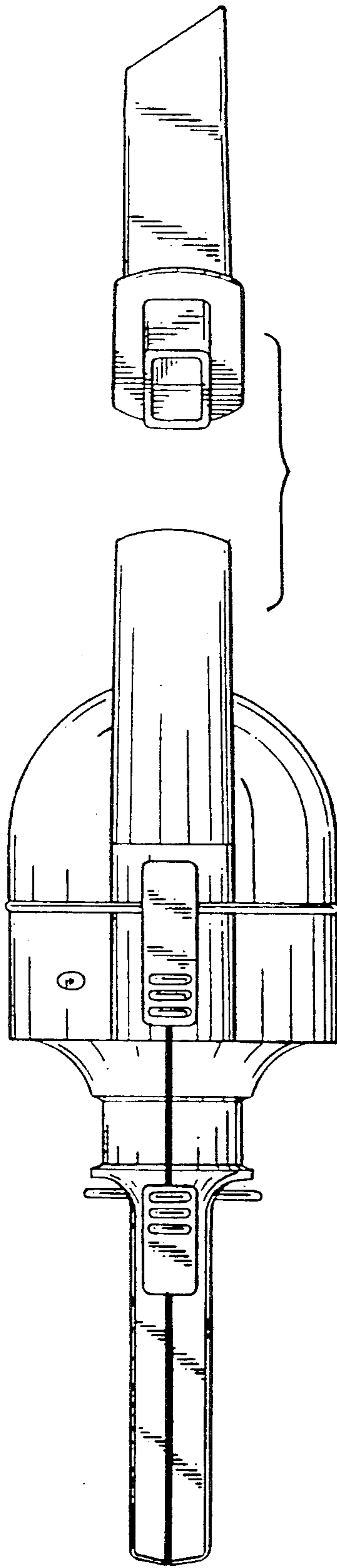


FIG. 11

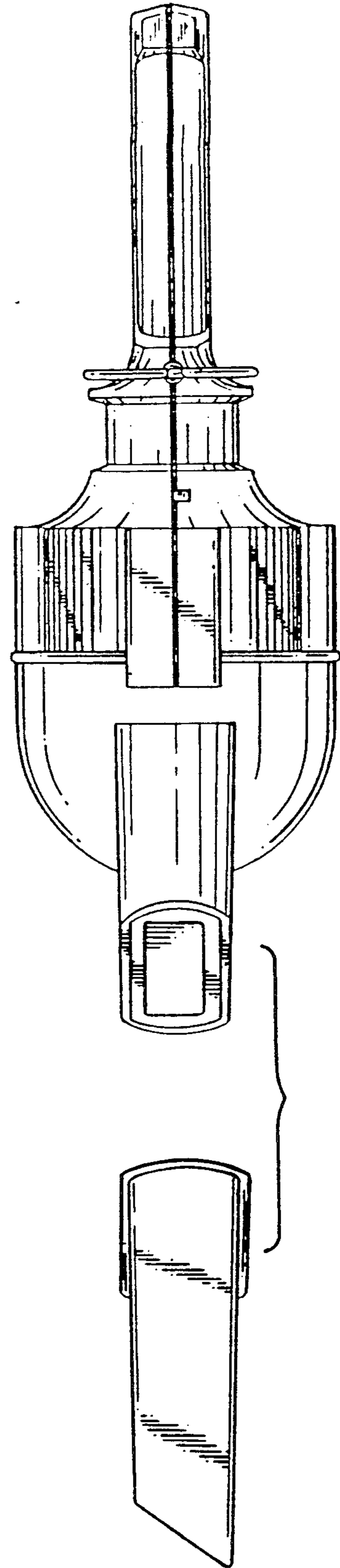


FIG. 12



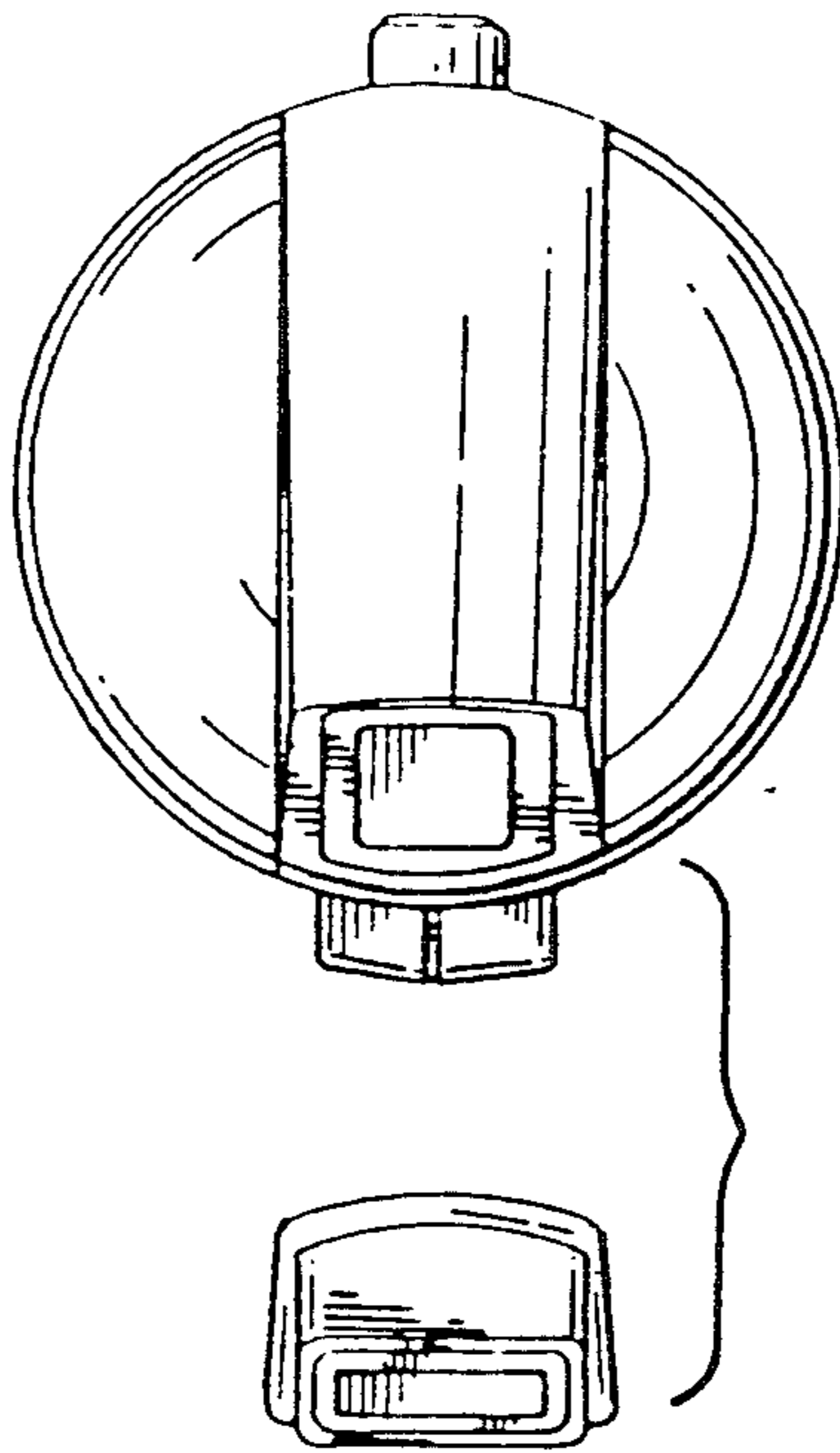


FIG. 13

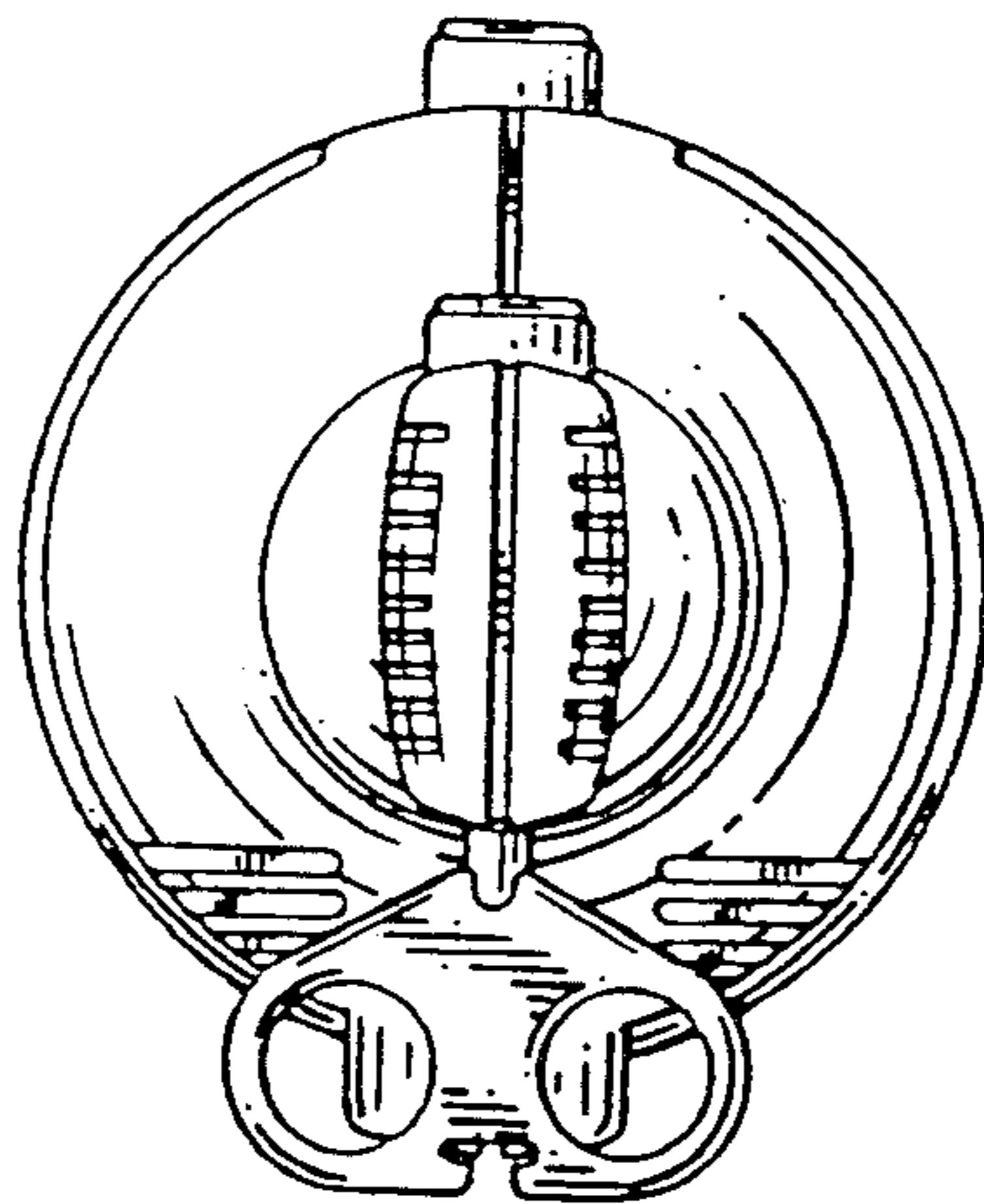


FIG. 14

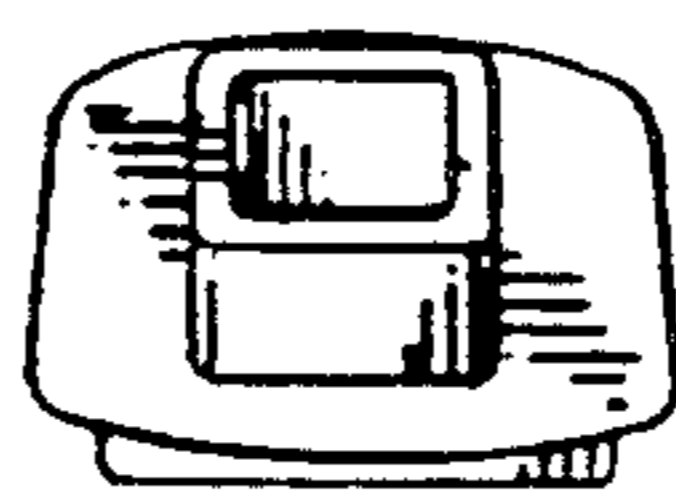


FIG. 15