



US00D327338S

United States Patent [19]

Wallace

[11] Patent Number: **Des. 327,338**

[45] Date of Patent: **** Jun. 23, 1992**

[54] **MANUAL RESUSCITATOR**

[75] Inventor: **Dean R. Wallace, Fort Myers, Fla.**

[73] Assignee: **Intertech Resources Inc.,
Lincolnshire, Ill.**

[**] Term: **14 Years**

[21] Appl. No.: **501,518**

[22] Filed: **Mar. 30, 1990**

[52] U.S. Cl. **D29/7; D24/110**

[58] Field of Search **D29/6-9;
D24/62; 128/204.25, 205.17, 205.24**

4,192,301 3/1980 Hardwick 128/205.17

4,320,754 3/1982 Watson et al. 128/204.25

4,333,451 6/1982 Paluch 128/205.12

4,501,271 2/1985 Clifton et al. 128/205.13

4,637,384 1/1987 Schroeder 128/204.18

4,821,712 4/1989 Gossett 128/205.17

4,919,132 4/1990 Miser 128/205.17

Primary Examiner—Kay H. Chin
*Attorney, Agent, or Firm—Marshall, O'Toole, Gerstein,
 Murray & Bicknell*

[57] CLAIM

The ornamental design for a manual resuscitator, as shown and described.

DESCRIPTION

FIG. 1 is a top and side perspective view of a manual resuscitator showing my new design, portion of the tube is shown broken away to indicate indeterminate length; FIG. 2 is a side elevational view thereof, the opposite side elevational view being a mirror image of that shown; FIG. 3 is a top plan view thereof; FIG. 4 is a bottom plan view thereof; FIG. 5 is a front elevational view thereof; and, FIG. 6 is a rear elevational view thereof.

[56] **References Cited**

U.S. PATENT DOCUMENTS

733,026	7/1903	Goldan .	
2,119,446	5/1938	Sholes	128/203
2,269,500	1/1942	Wildhack	128/191
2,399,643	5/1946	Kreiselman	128/29
2,788,001	4/1957	Brown	128/142
2,891,542	6/1959	Pentecost	128/188
3,196,866	7/1965	Adams	128/29
3,356,100	12/1967	Seeler	137/102
3,964,476	6/1976	Palleni	128/145.6
4,037,595	7/1977	Elam	128/145.7

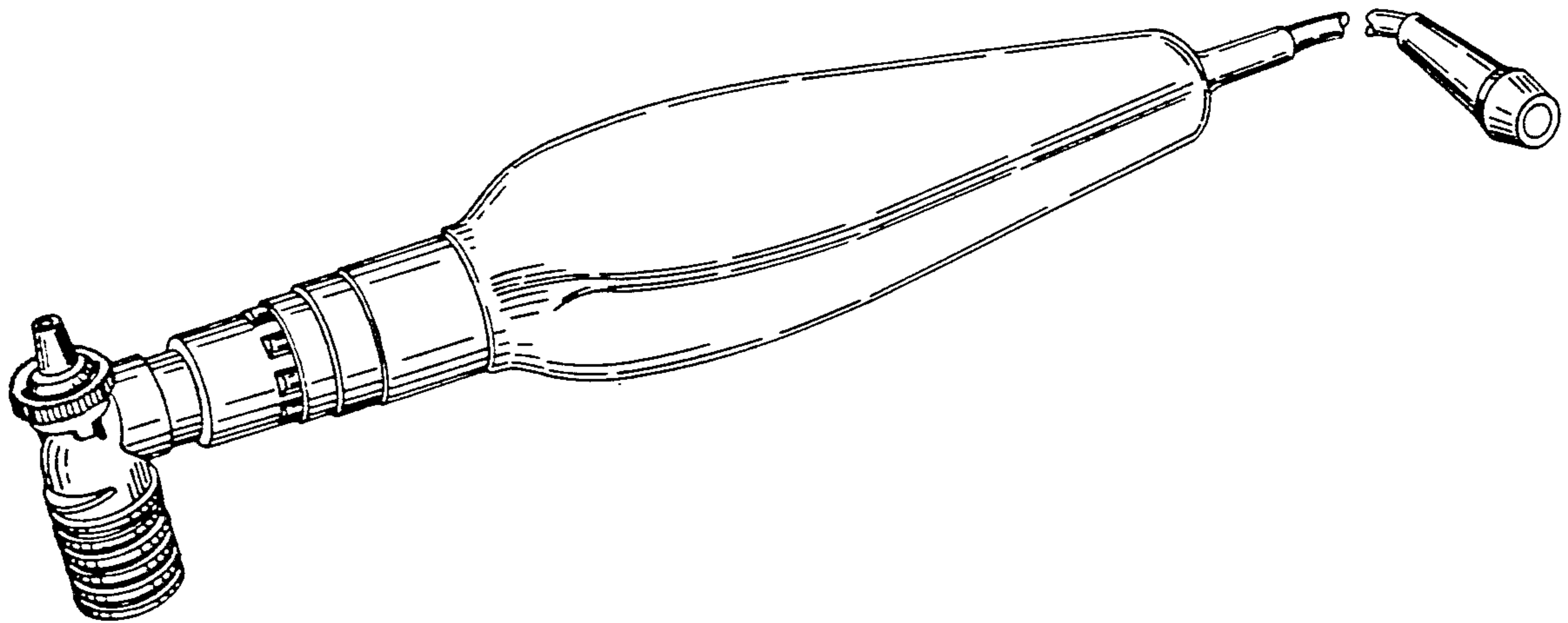




FIG. 1

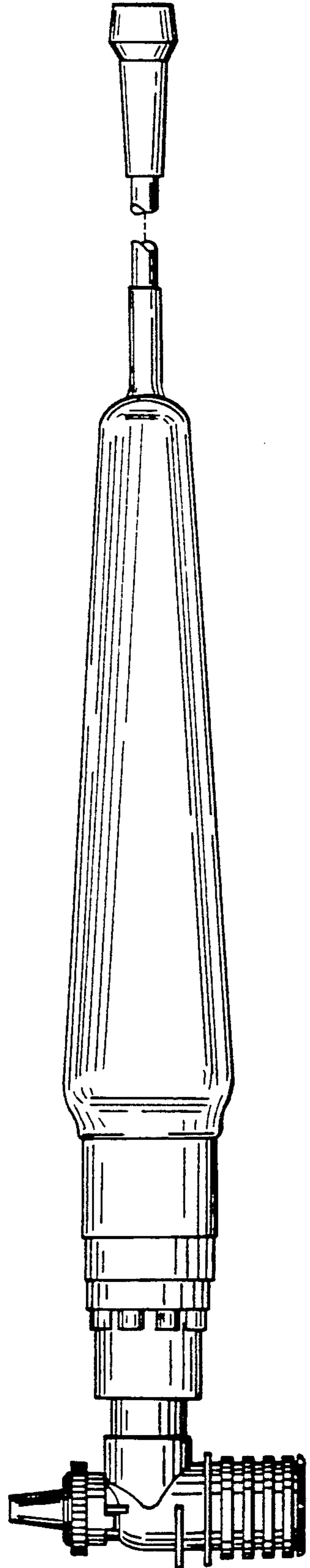


FIG. 2

FIG. 3

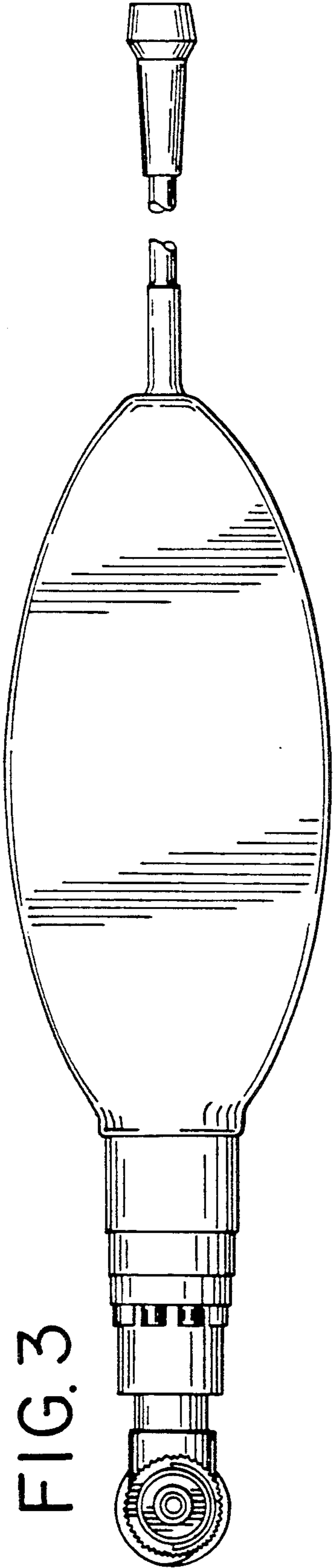


FIG. 4

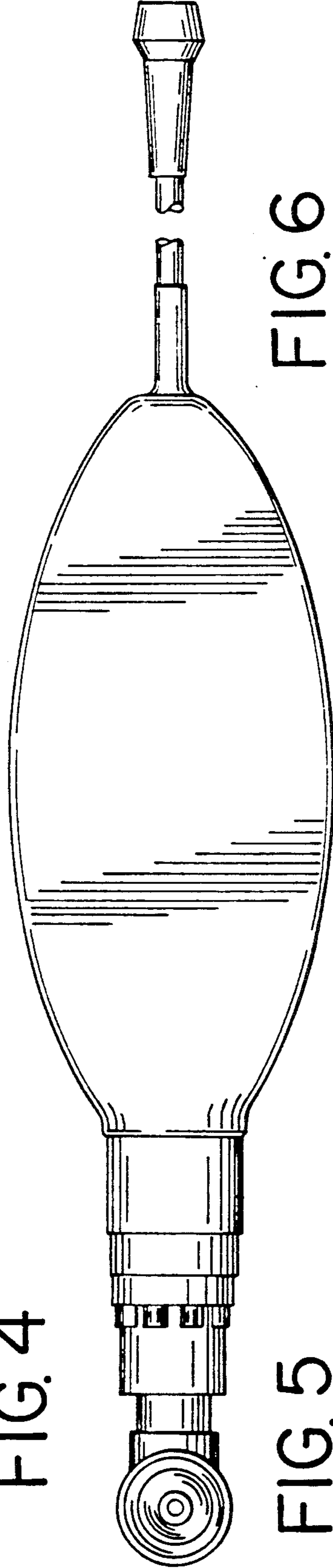


FIG. 5

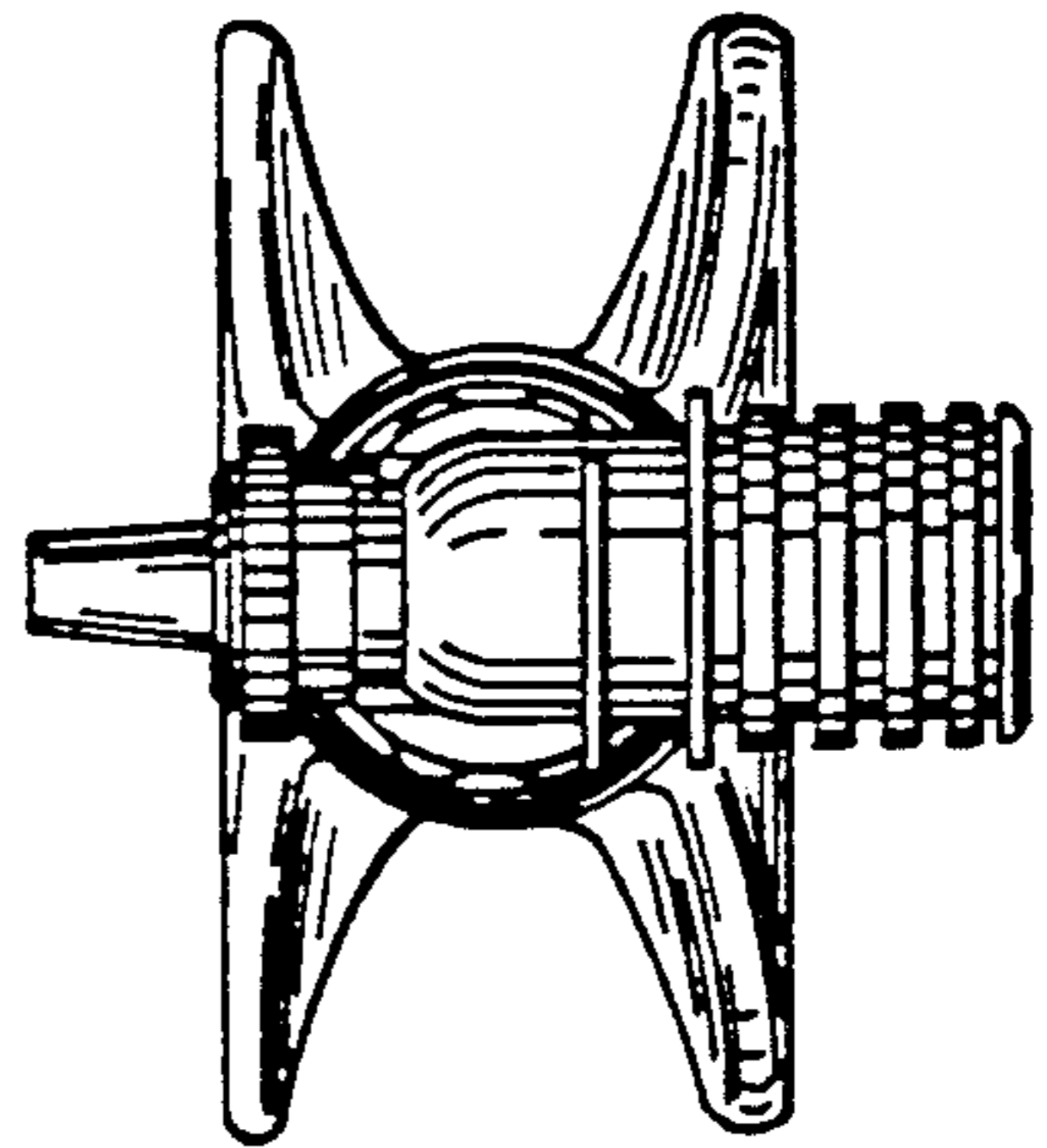


FIG. 6

