



US00D327337S

United States Patent [19]

[11] Patent Number: **Des. 327,337**

Sone

[45] Date of Patent: **** Jun. 23, 1992**

[54] **COMBINED HOUSING AND FIRE EXTINGUISHER FOR AN ALCOHOL LAMP**

4,726,762	2/1988	Nakamura et al.	431/88
4,740,153	4/1988	Nakamura et al.	431/88
4,790,745	12/1988	Nakanishi et al.	431/88

[75] Inventor: **Yoshihisa Sone, Tokyo, Japan**

Primary Examiner—Stella Reid
Attorney, Agent, or Firm—Oblon, Spivak, McClelland, Maier & Neustadt

[73] Assignee: **Terumo Kabushiki Kaisha, Tokyo, Japan**

[**] Term: **14 Years**

[57] CLAIM

[21] Appl. No.: **152,581**

The ornamental design for a combined housing and fire extinguisher for an alcohol lamp, as shown and described.

[22] Filed: **Feb. 5, 1988**

[30] Foreign Application Priority Data

DESCRIPTION

Aug. 6, 1987 [JP] Japan 62-31782

[52] U.S. Cl. **D29/2**

[58] Field of Search D24/8, 99; D29/2;
169/54, 56, 51, 48, 47, 30, 75, 91; 431/88, 33,
324

FIG. 1 is a front elevational view of a combined housing and fire extinguisher for an alcohol lamp showing my new design;

FIG. 2 is a right side elevational view thereof, the left side view being a mirror image of the right side;

FIG. 3 is a top plan view thereof;

FIG. 4 is a bottom plan view thereof;

FIG. 5 is a rear elevational view thereof; and,

FIG. 6 is a cross-sectional view thereof, taken along line 6—6 of FIG. 1.

[56] References Cited

U.S. PATENT DOCUMENTS

D. 246,325 11/1977 Rakocy et al. D29/2

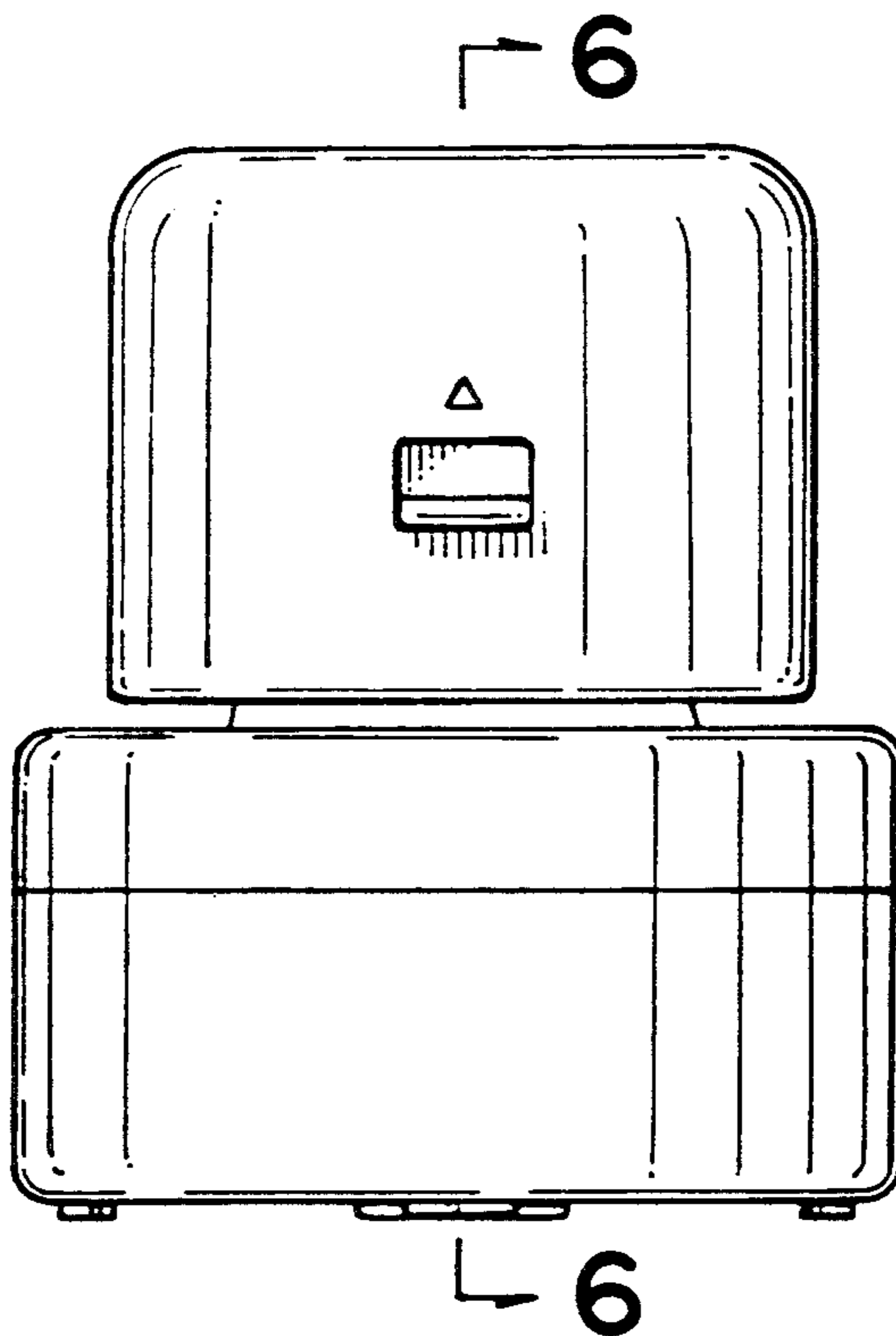
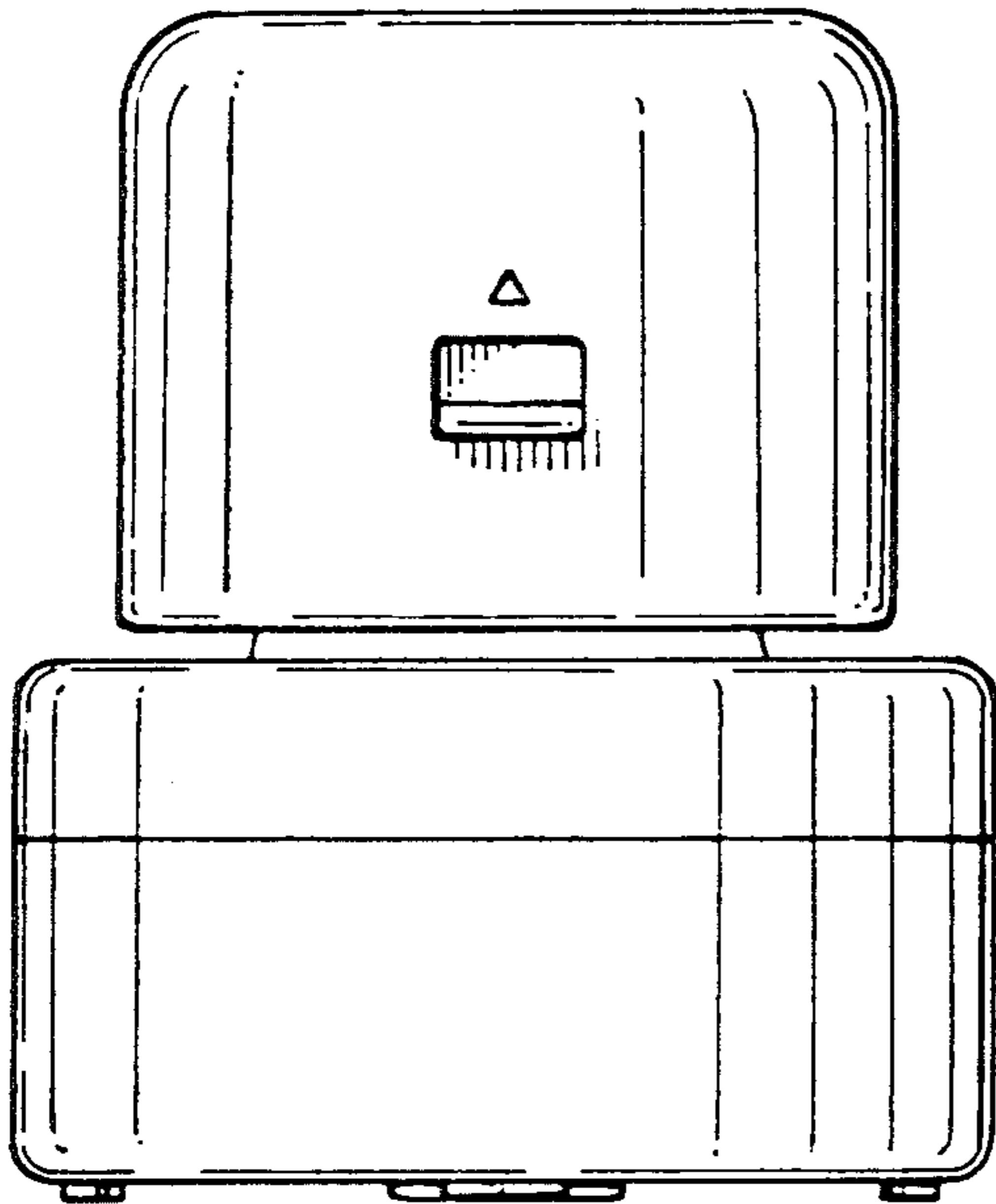


FIG. 1

↗ 6



↘ 6

FIG. 2

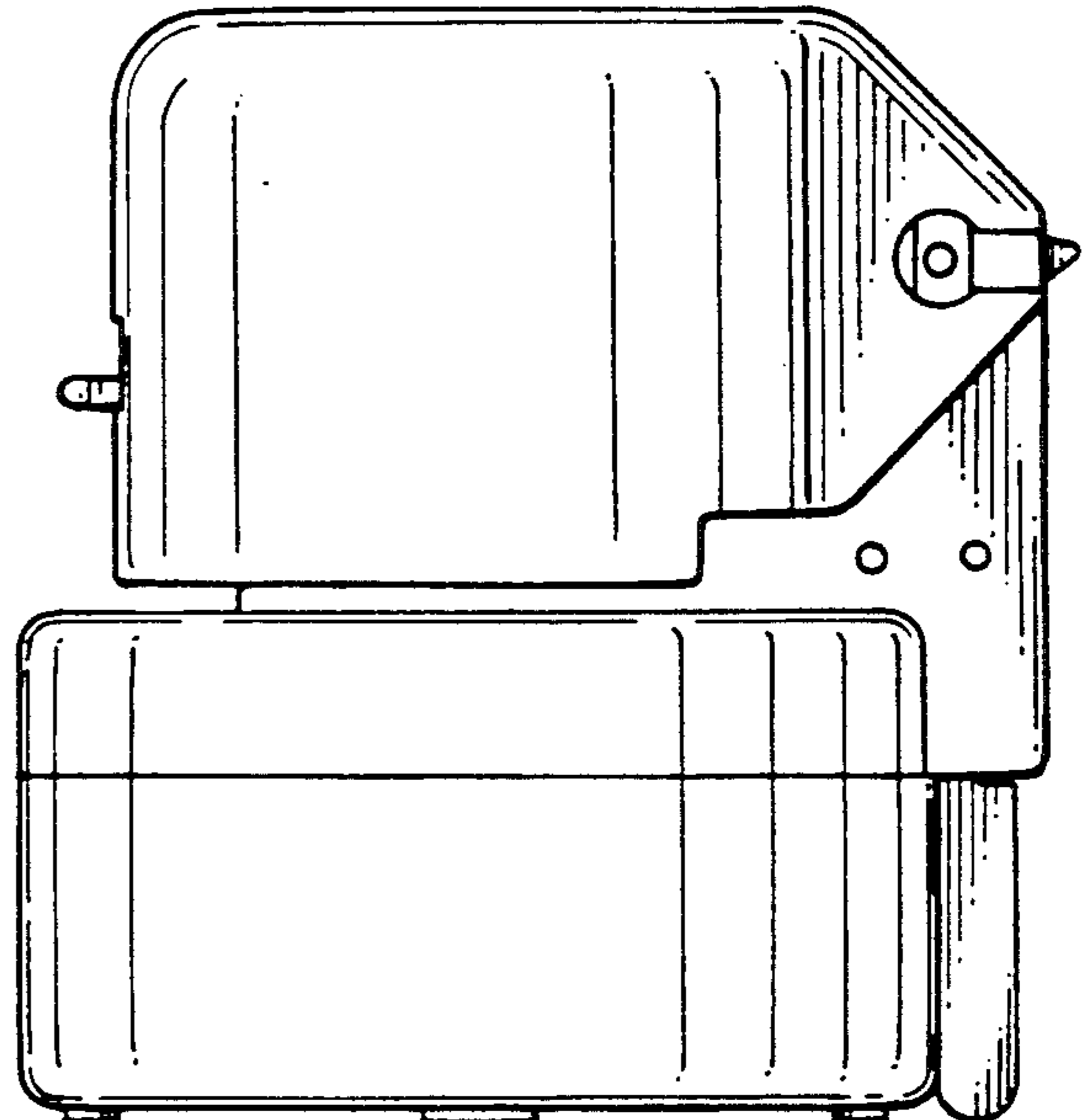


FIG. 3

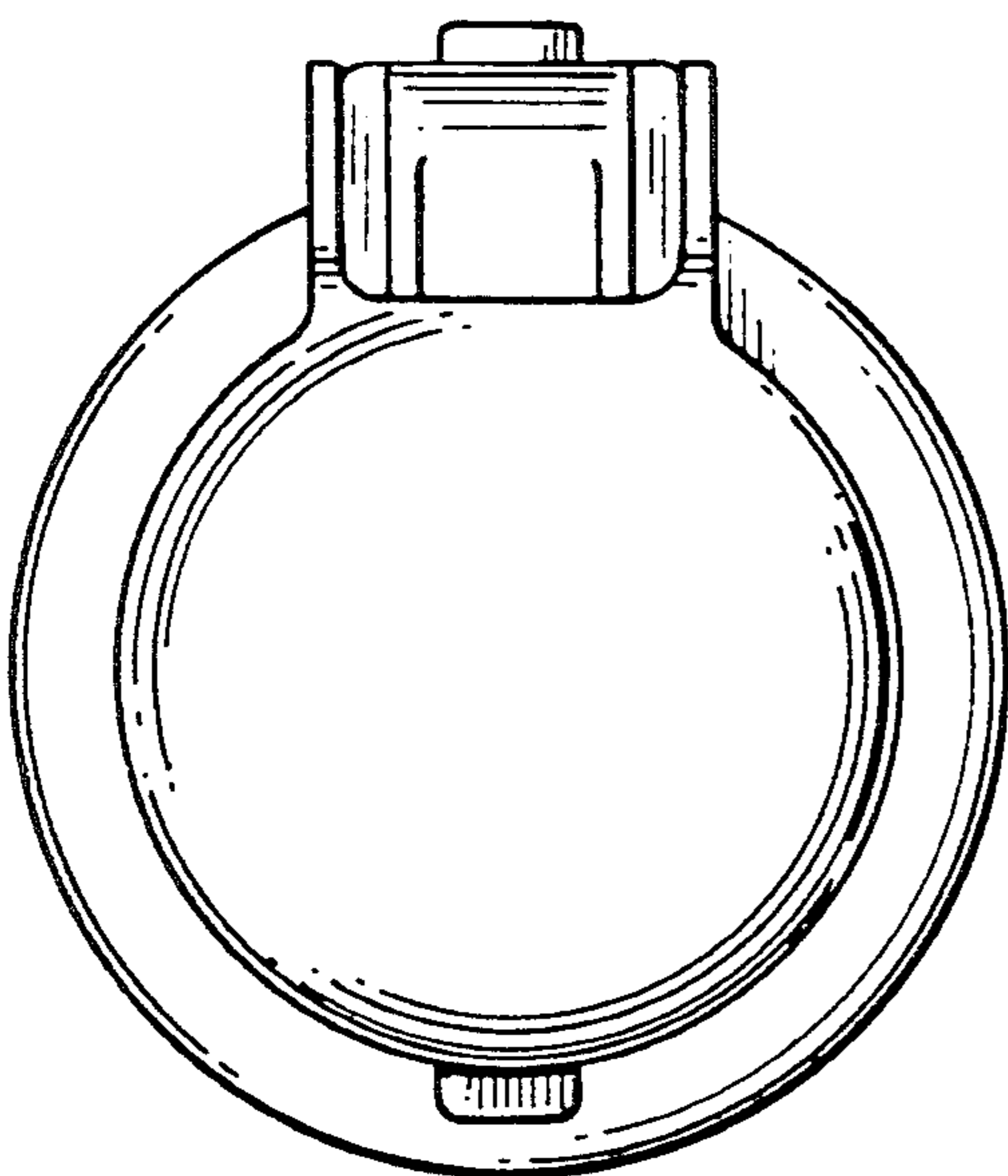


FIG. 4

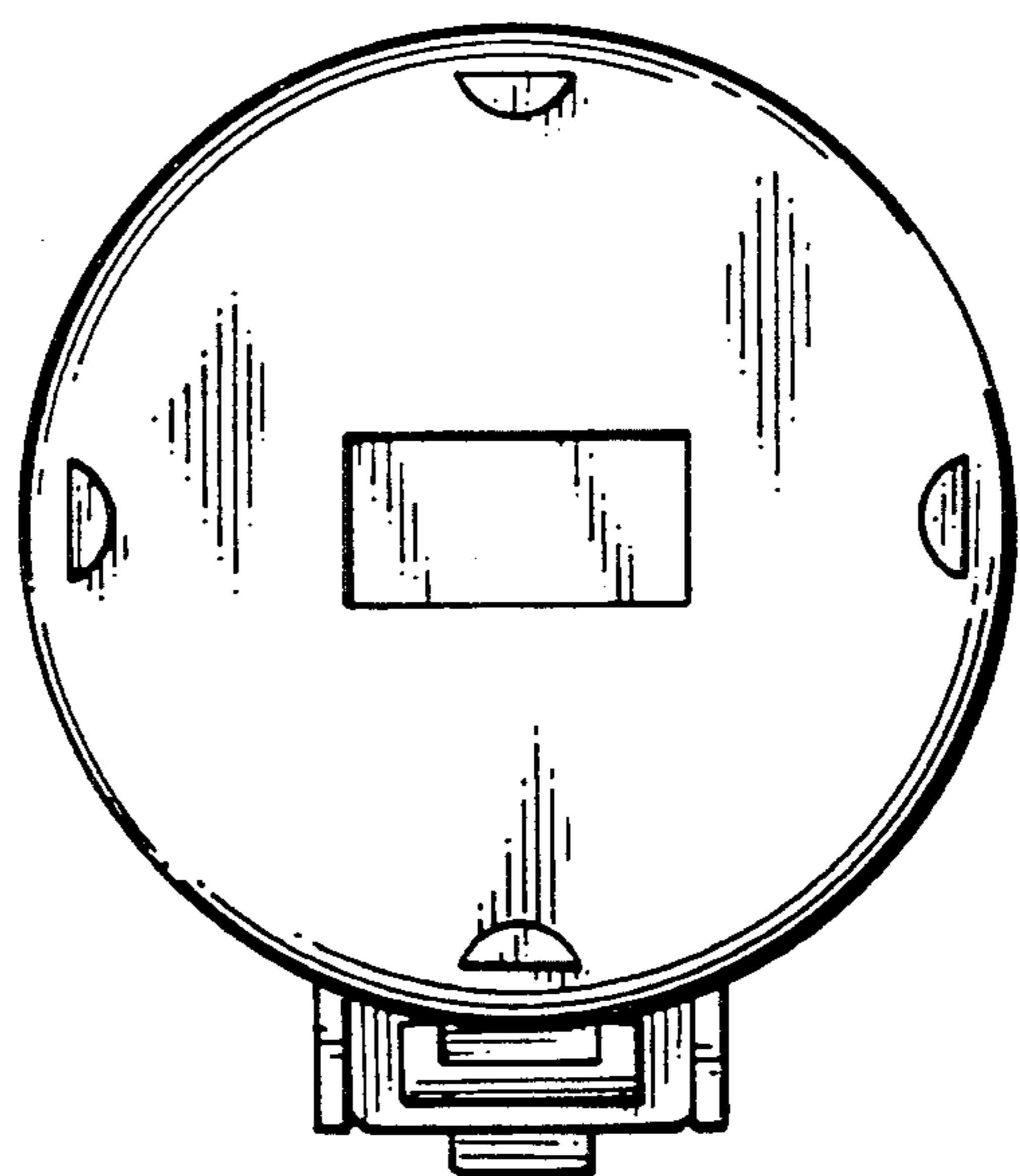


FIG. 5

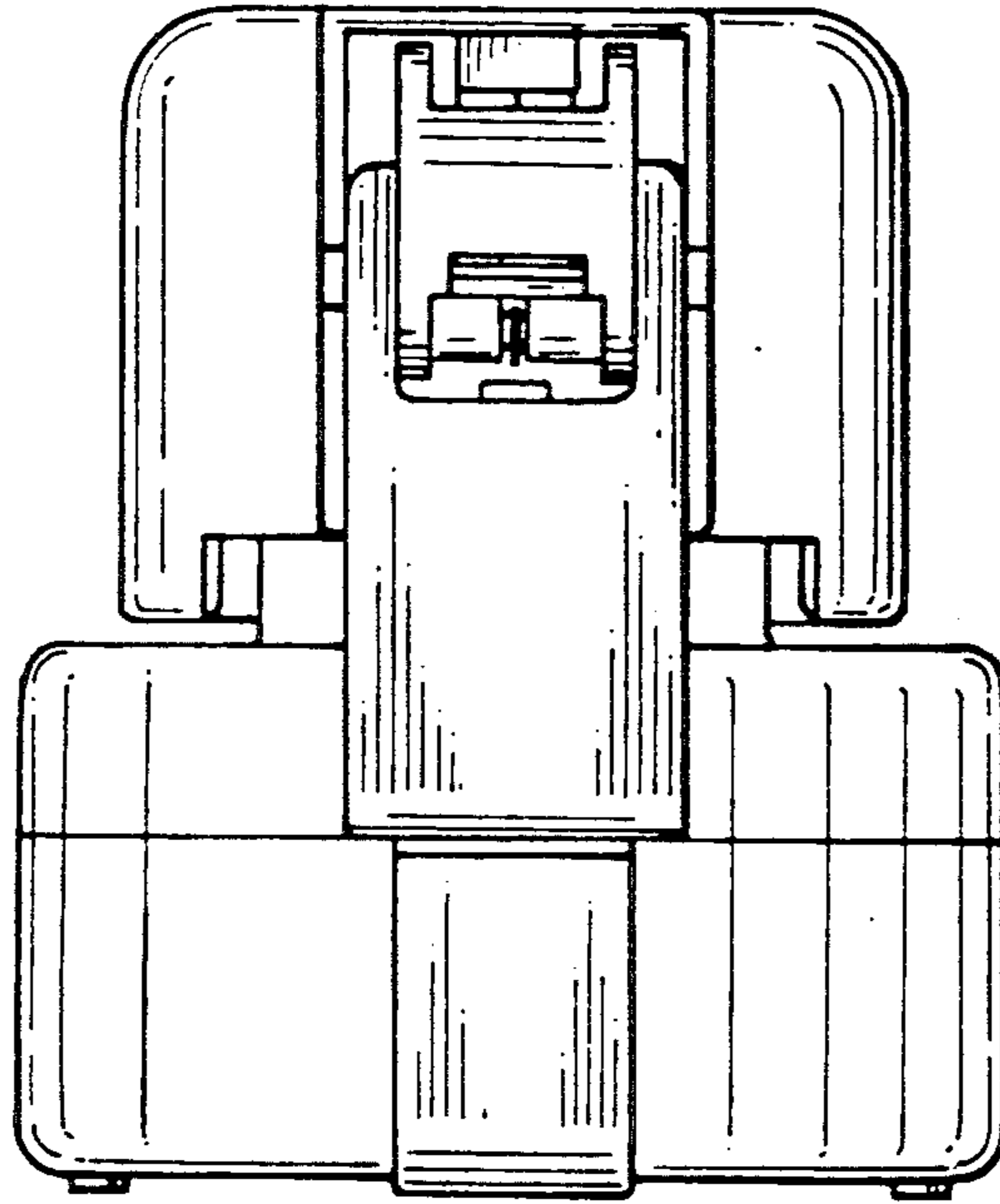


FIG. 6

