



US00D327336S

United States Patent [19]

[11] Patent Number: Des. 327,336

Chen

[45] Date of Patent: ** Jun. 23, 1992

[54] FLEXIBLE RAZOR CARTRIDGE

[75] Inventor: Evan N. Chen, Fairfield, Conn.

[73] Assignee: Warner-Lambert Company, Morris Plains, N.J.

[**] Term: 14 Years

[21] Appl. No.: 508,015

[22] Filed: Apr. 10, 1990

[52] U.S. Cl. D28/47

[58] Field of Search D28/44-48;
30/32, 34.1, 47, 48, 49, 50, 51, 62, 63, 346.58,
346.59

[56] References Cited

U.S. PATENT DOCUMENTS

D. 243,638	3/1977	Poisson	D28/47
D. 250,775	1/1979	Chen	D28/47
D. 255,161	5/1980	Chen	D28/47
D. 298,068	10/1988	Gilder	D28/47
4,146,958	4/1979	Chen et al.	30/50 X
4,624,051	11/1986	Apprille, Jr. et al.	30/50
4,854,043	8/1989	Chen	30/50

Primary Examiner—Bernard Ansher
Assistant Examiner—C. Tuttle
Attorney, Agent, or Firm—Richard S. Bullitt

[57] CLAIM

The ornamental design for a flexible razor cartridge design, as shown and described.

DESCRIPTION

FIG. 1 is a top front perspective view of a flexible razor cartridge showing my new design;
FIG. 2 is a right side elevational view thereof, the side opposite being a mirror image of the side shown;
FIG. 3 is a top plan view thereof;
FIG. 4 is a front elevational view thereof;
FIG. 5 is a rear elevational view thereof;
FIG. 6 is a bottom plan view thereof;
FIG. 7 is a top front perspective view of a second modified embodiment; and,
FIG. 8 is a top plan view thereof.
The undisclosed sides of the embodiment represented in FIGS. 7 and 8 are identical to the first disclosed embodiment.

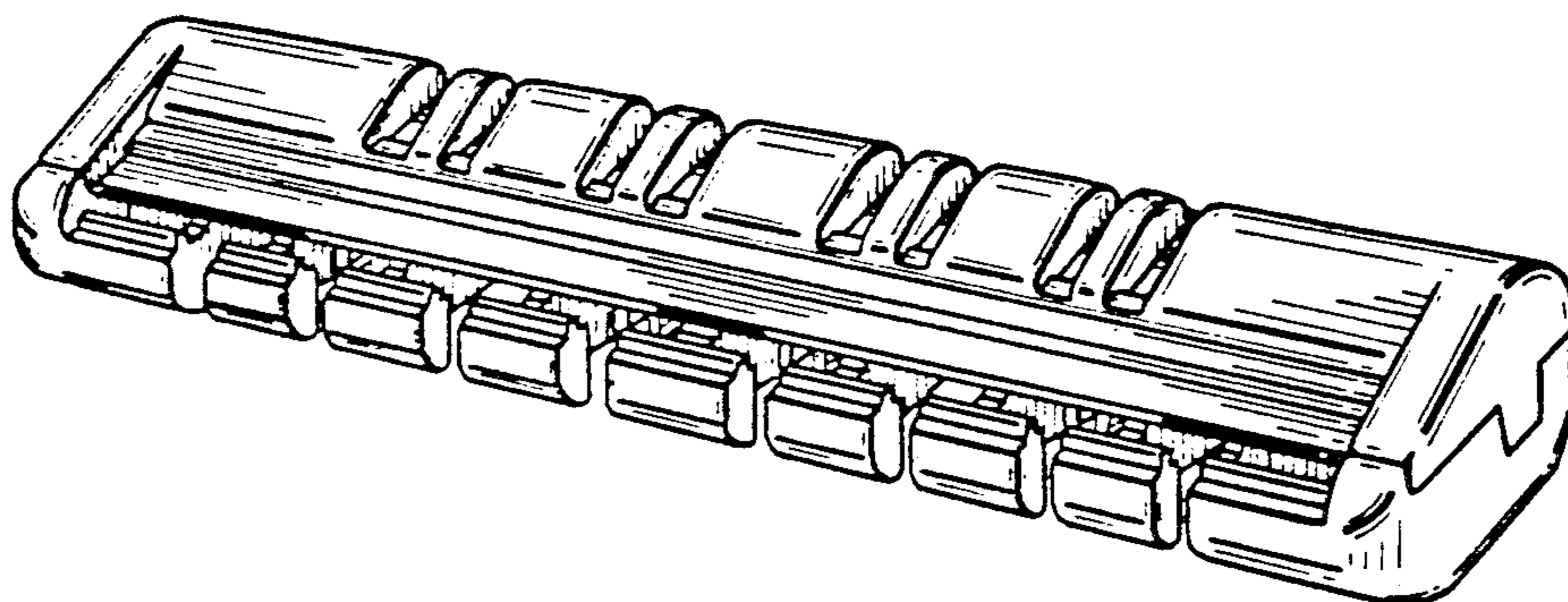
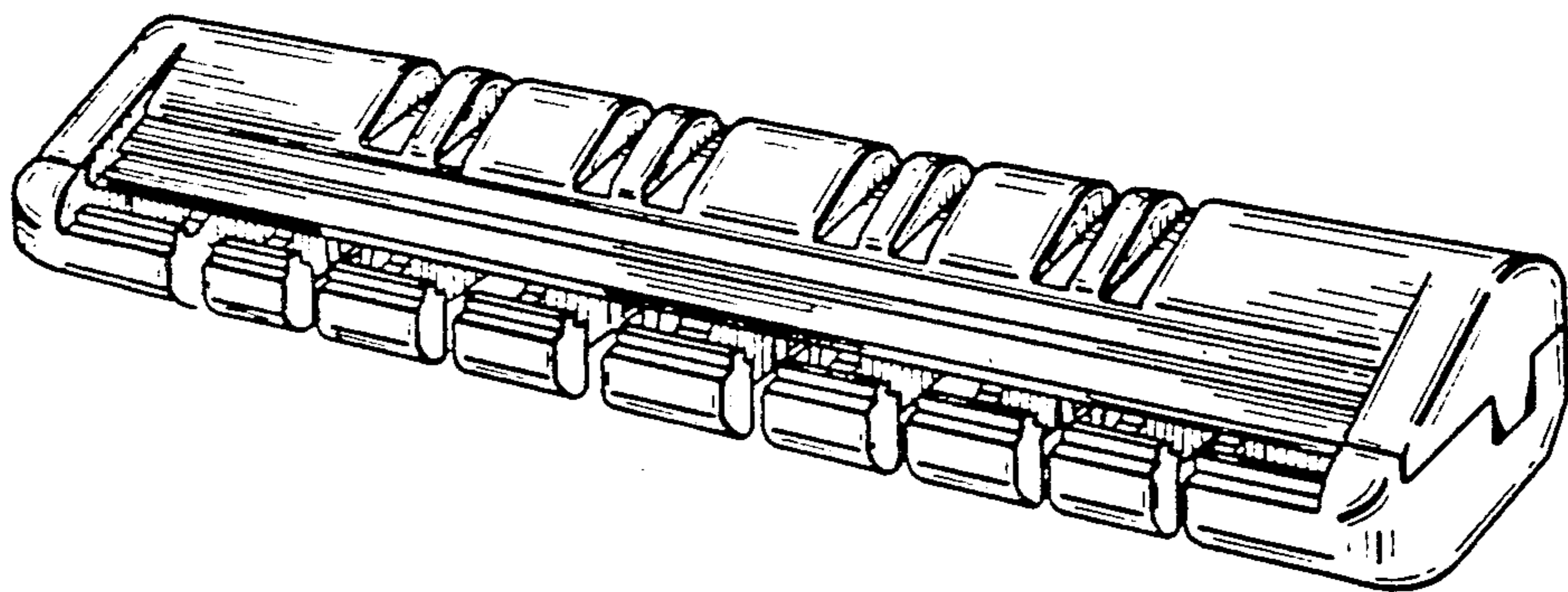


FIG-1

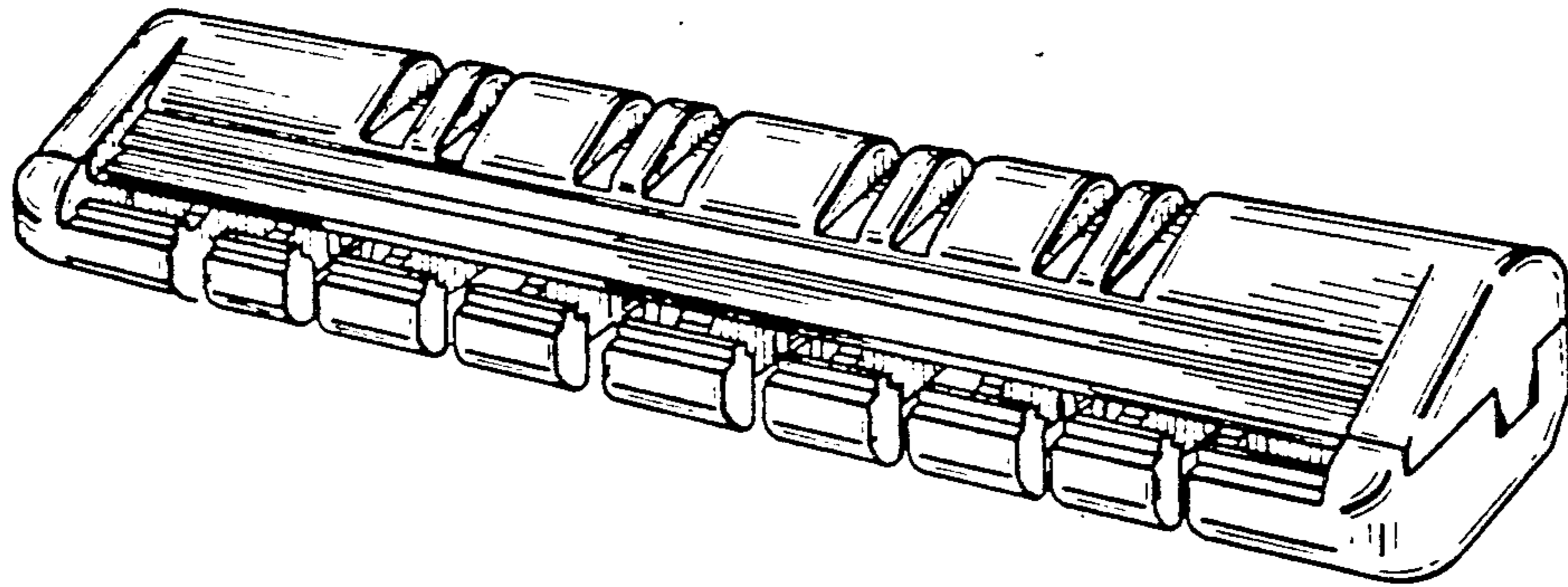


FIG-2

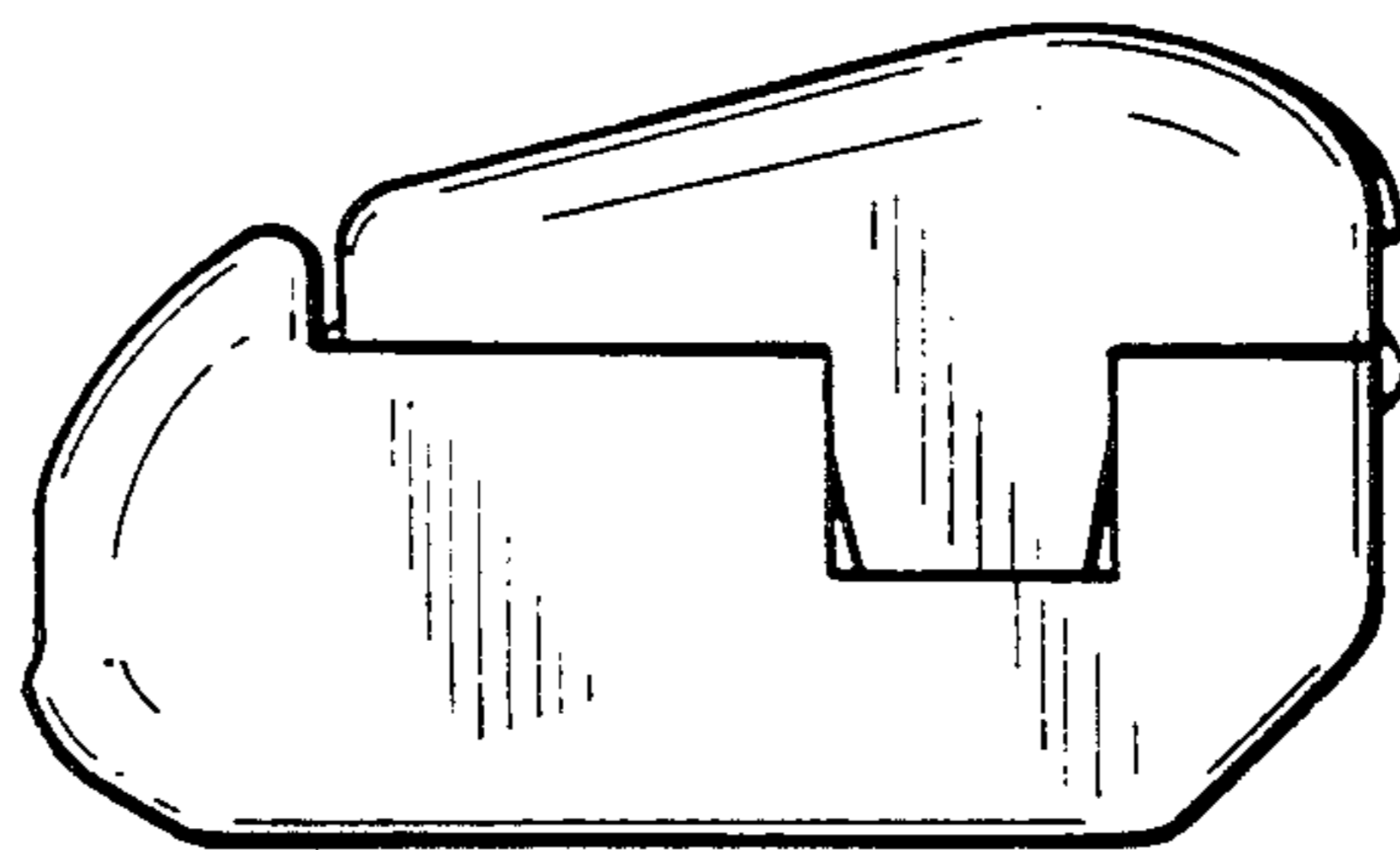


FIG-3

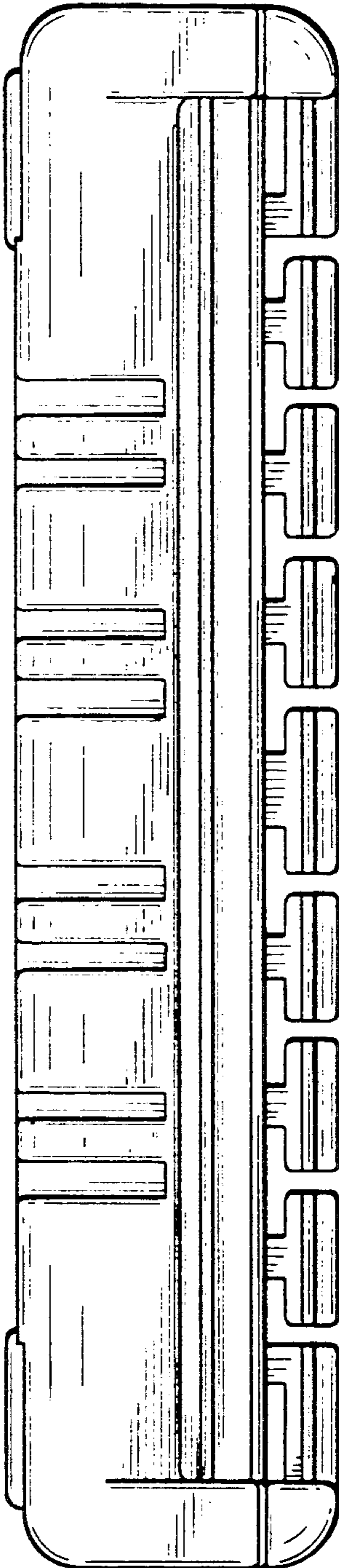


FIG-4

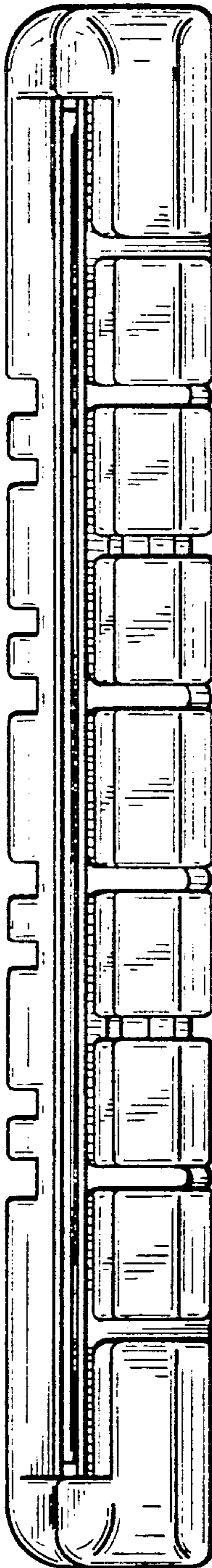


FIG-5

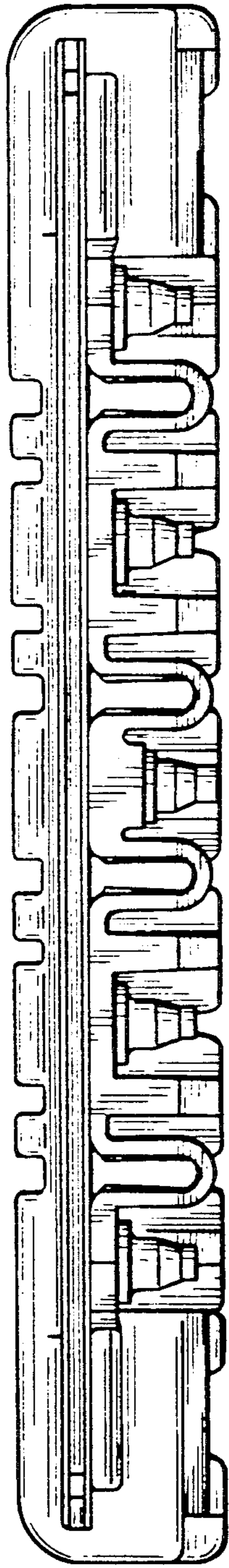
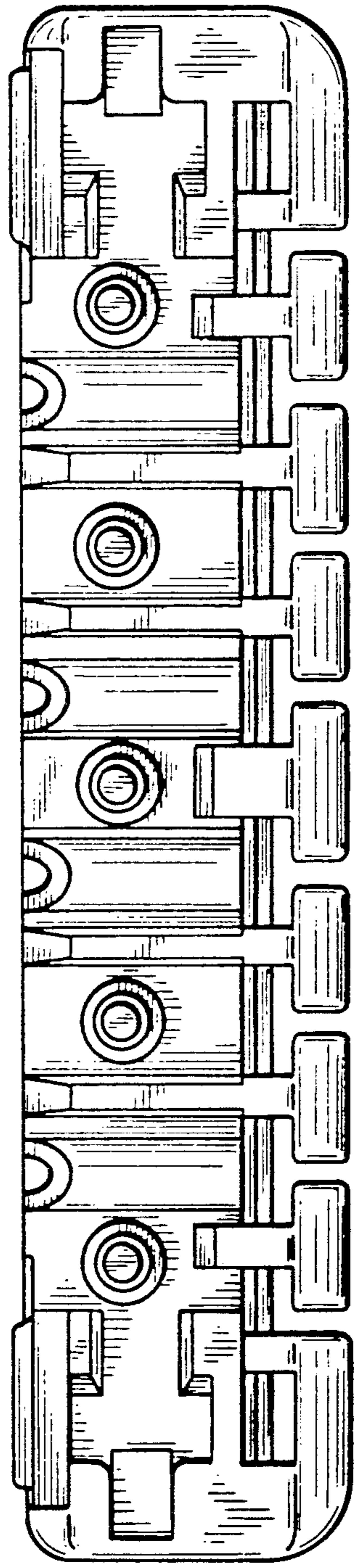


FIG-6



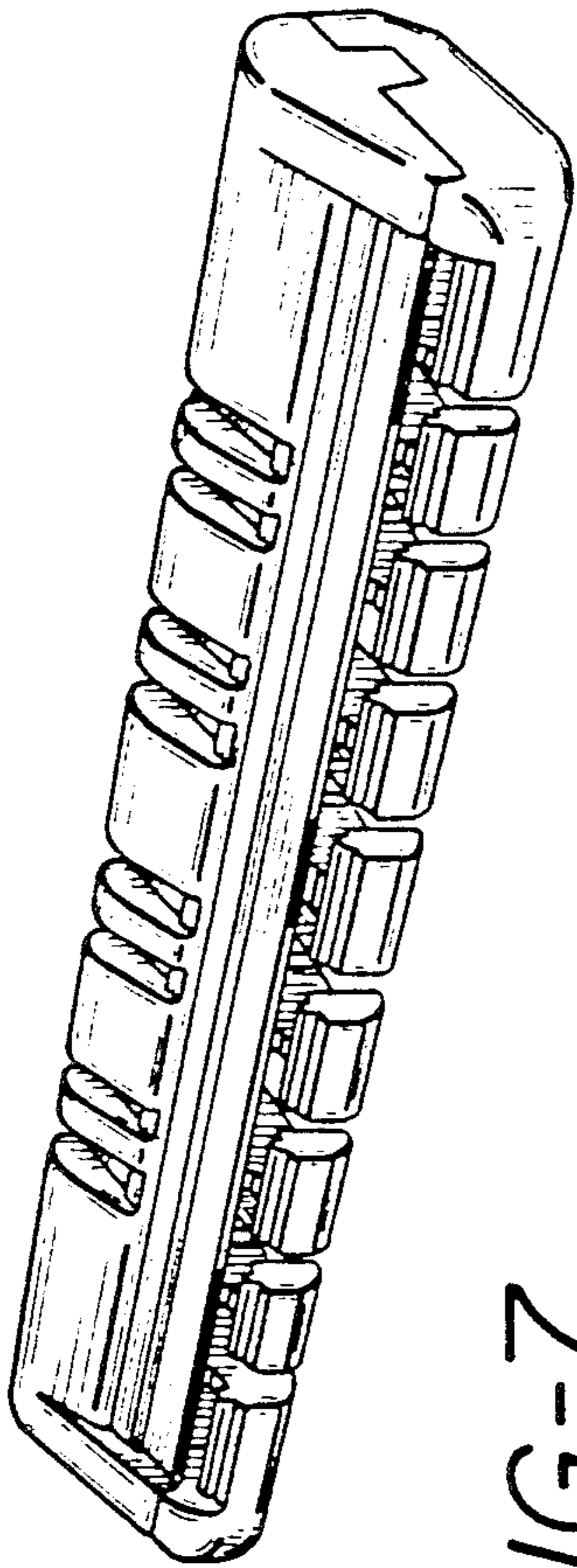


FIG-7

FIG-8

