



US00D327335S

United States Patent [19]

[11] Patent Number: **Des. 327,335**

Takahashi

[45] Date of Patent: **** Jun. 23, 1992**

[54] HAIR STRAIGHTENING DEVICE

5,025,850 6/1991 Simpson 132/233 X

[76] Inventor: **Masami Takahashi**, 1838-8,
Shonanmachi-Ooi,
Higashi-Katsushika-Gun, Chiba-ken,
Japan

FOREIGN PATENT DOCUMENTS

470435 1/1951 Canada 132/223
282623 3/1915 Fed. Rep. of Germany 132/224

[**] Term: **14 Years**

Primary Examiner—Bernard Ansher
Assistant Examiner—C. Tuttle
Attorney, Agent, or Firm—Antonelli, Terry, Stout &
Kraus

[21] Appl. No.: **538,490**

[22] Filed: **Jun. 15, 1990**

[57] CLAIM

[30] Foreign Application Priority Data

The ornamental design for a hair straightening device,
as shown.

Mar. 5, 1990 [JP] Japan 2-7089

[52] U.S. Cl. **D28/35**

DESCRIPTION

[58] Field of Search D28/35, 37, 10;
132/223-226; 219/222-226

FIG. 1 is a front, top and left side perspective view of a hair straightening device showing my new design;
FIG. 2 is a front elevational view thereof;
FIG. 3 is a rear elevational view thereof;
FIG. 4 is a left side elevational view thereof;
FIG. 5 is a right side elevational view thereof;
FIG. 6 is a top plan view thereof;
FIG. 7 is a bottom plan view thereof; and,
FIG. 8 is a cross-sectional view taken on line 8—8 of FIG. 2.

[56] References Cited

U.S. PATENT DOCUMENTS

D. 111,098 8/1938 Wideman D28/35
2,121,058 6/1938 Solomon 132/223
2,466,976 4/1949 Walton et al. D28/37 X
2,526,581 10/1950 Roth 132/223
4,867,185 9/1989 Clingen 132/225

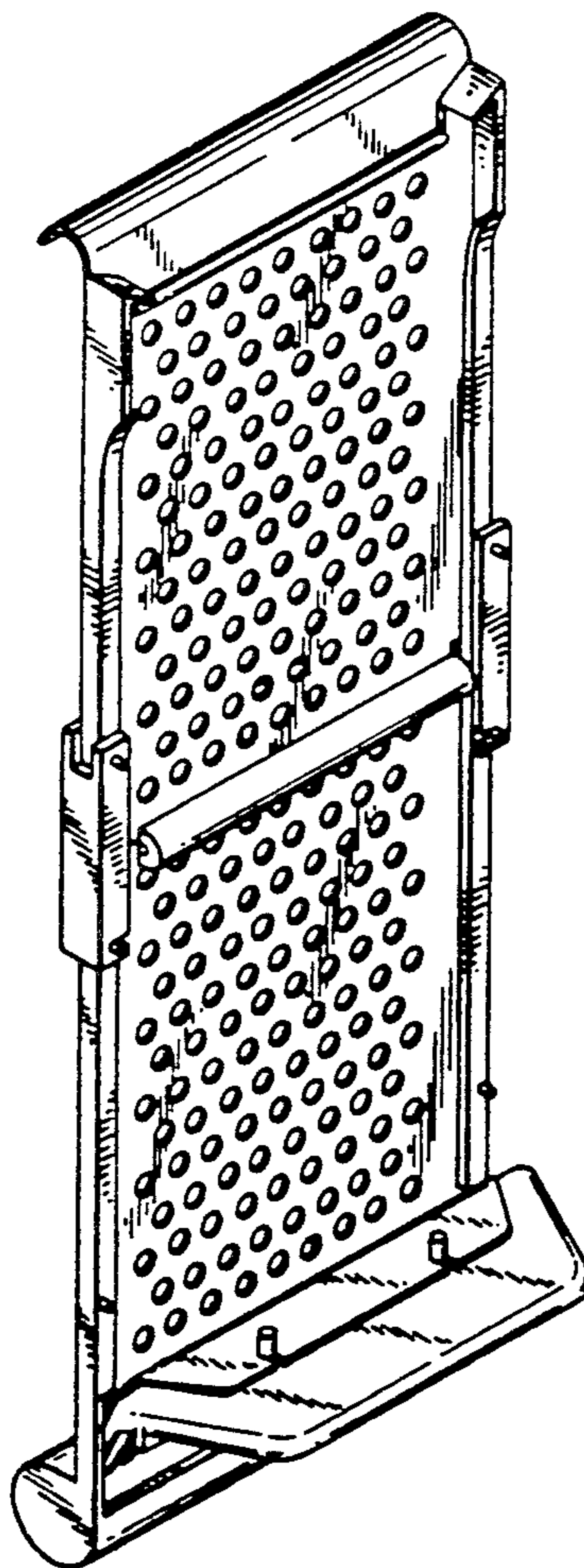


FIG. 1

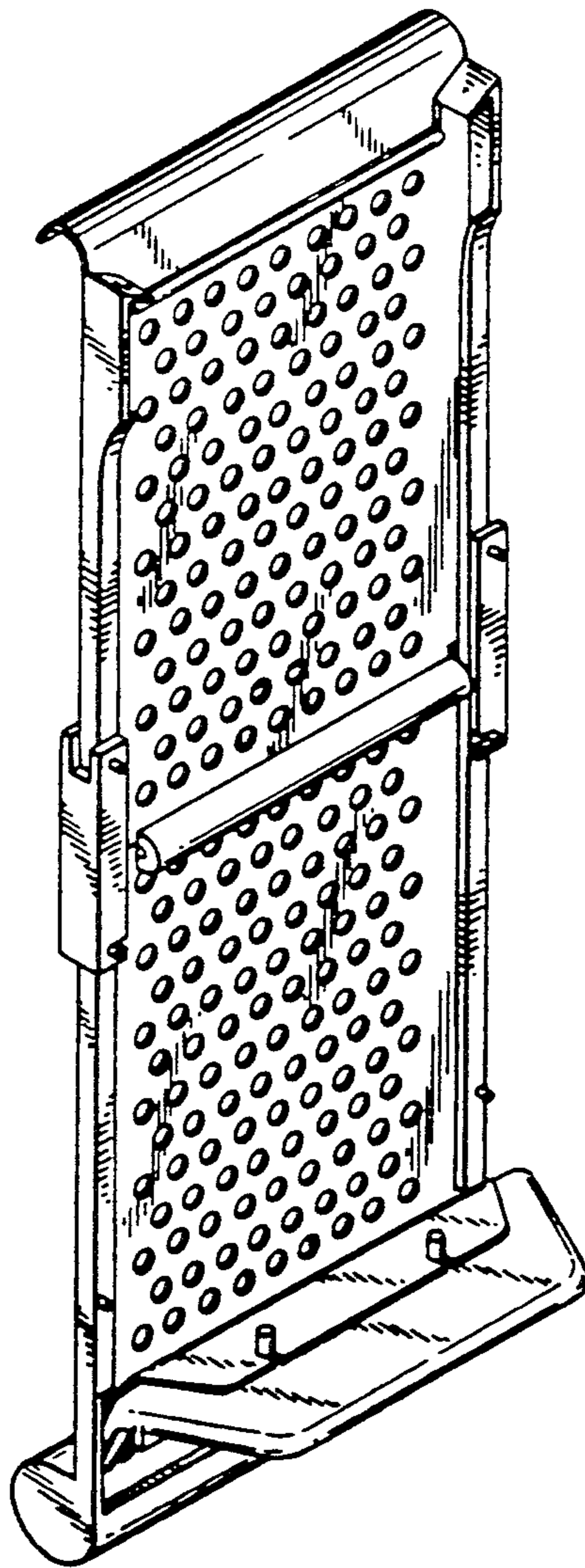


FIG. 2

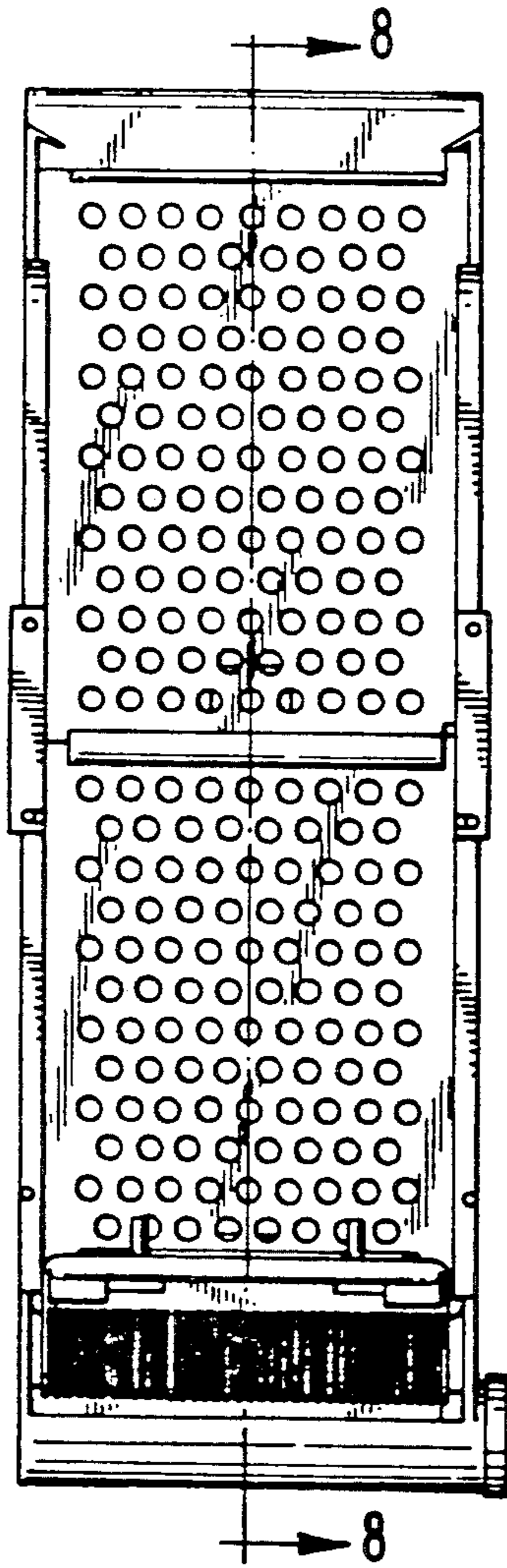


FIG. 3

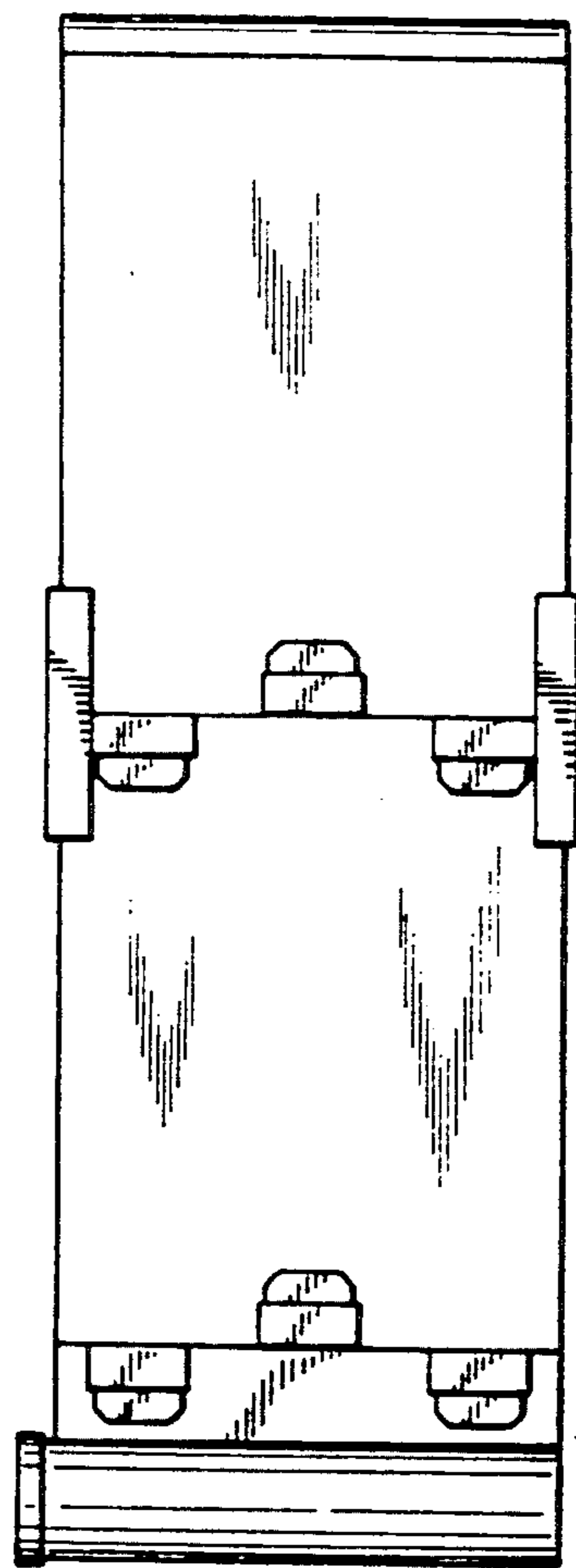


FIG. 4

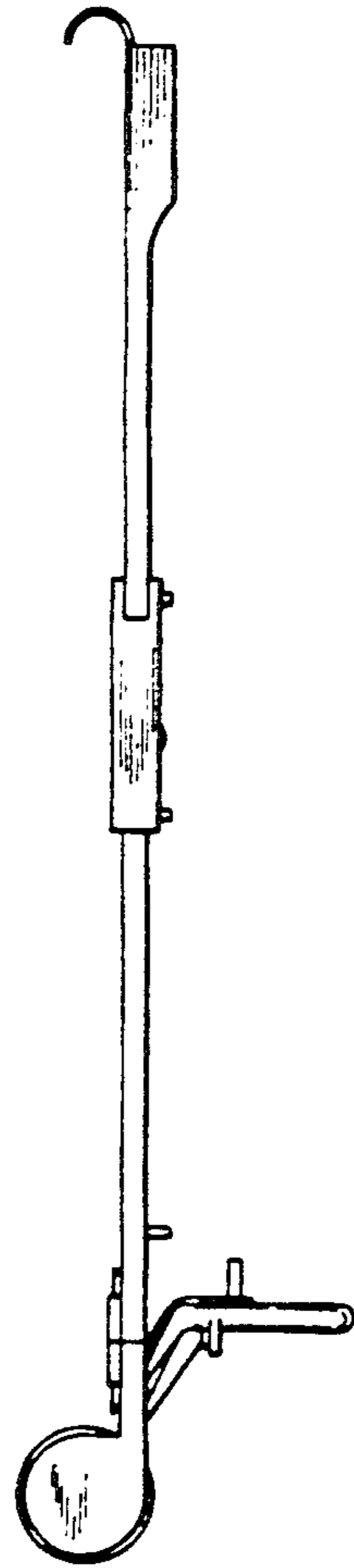


FIG. 5

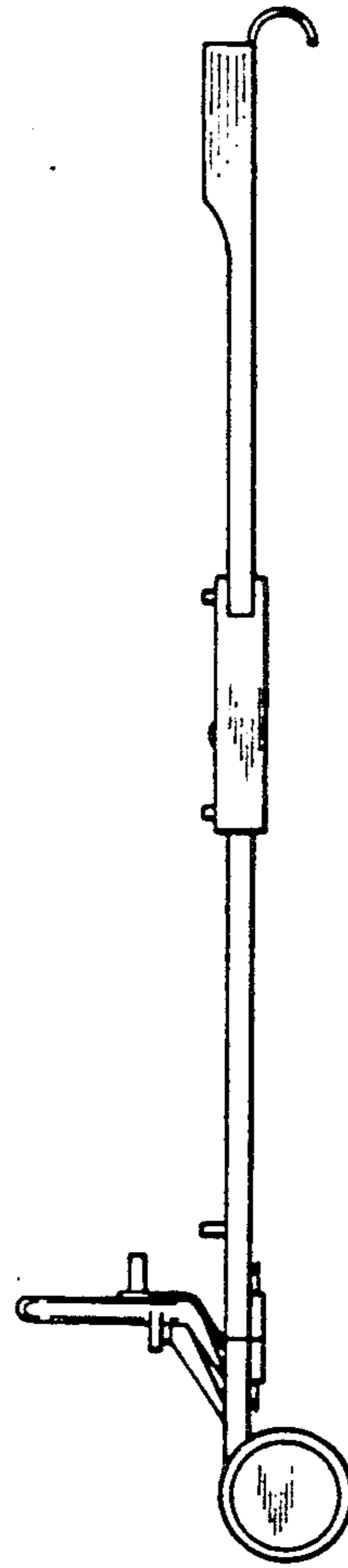


FIG. 6

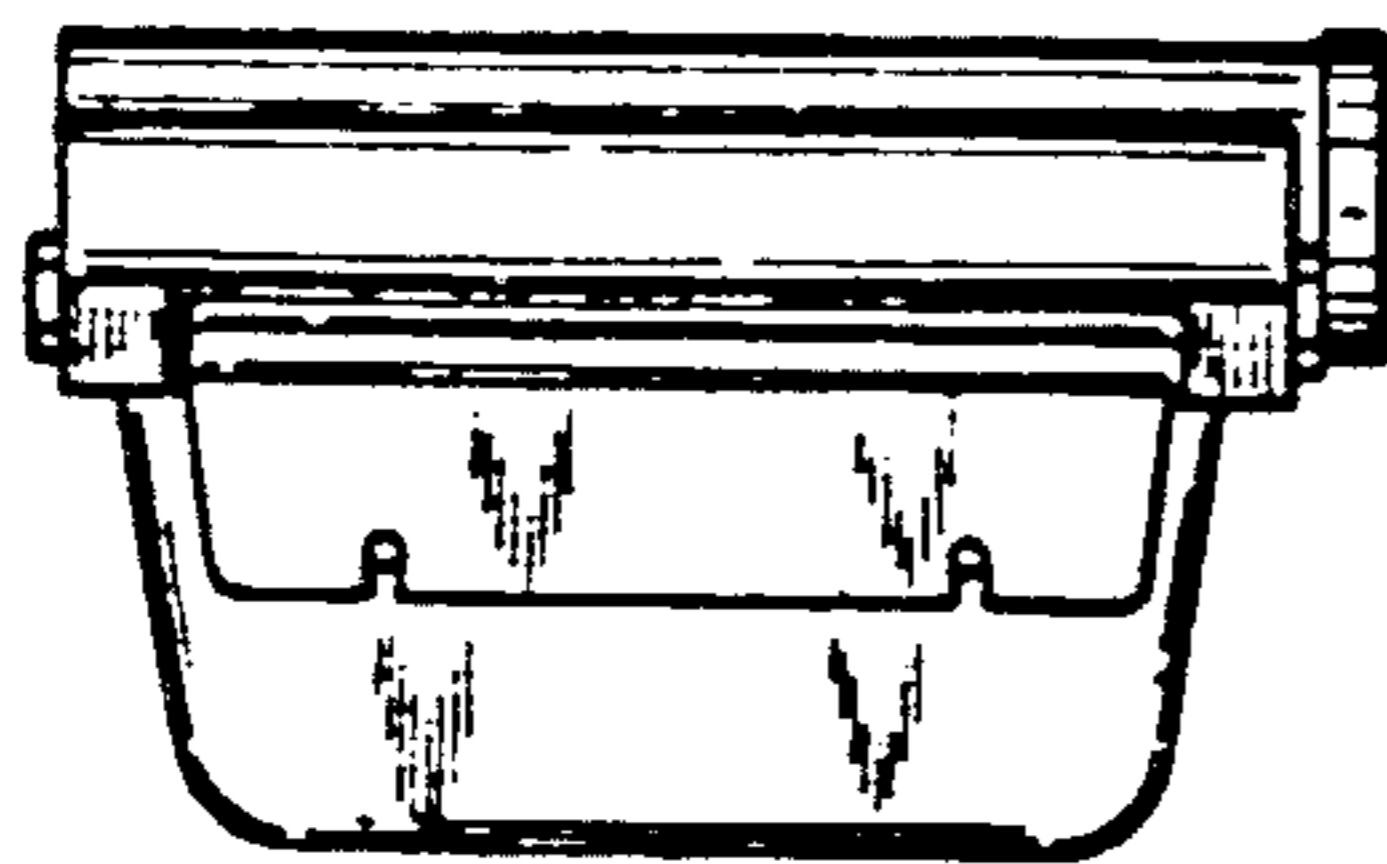


FIG. 7

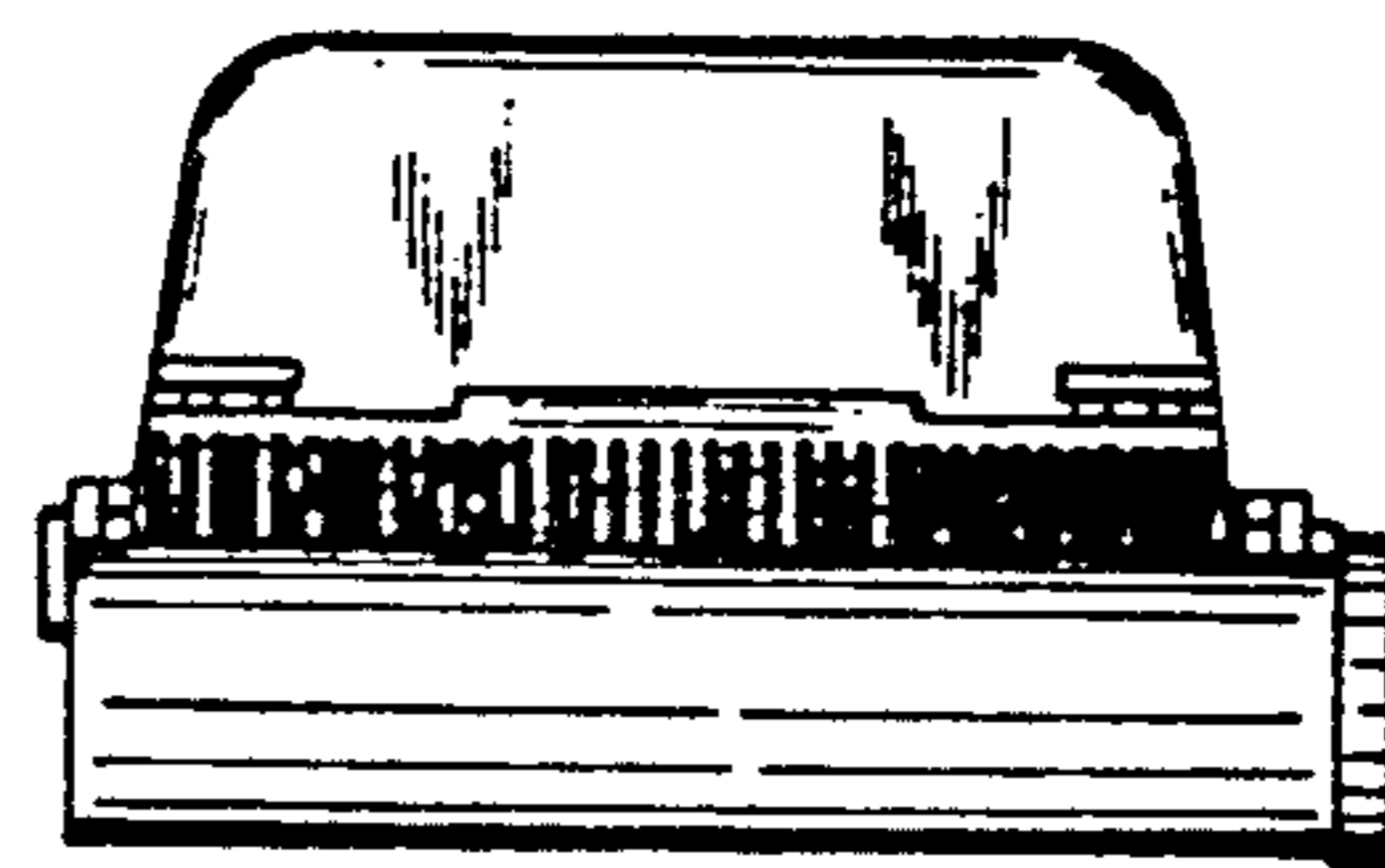


FIG. 8

