



US00D327334S

# United States Patent [19]

[11] Patent Number: **Des. 327,334**

Parker

[45] Date of Patent: **\*\* Jun. 23, 1992**

[54] FOLDING LAMP

D. 303,848 10/1989 Bianchi ..... D26/65  
3,652,848 3/1972 Miller et al. .... 362/410 X

[75] Inventor: **Kim Parker, London, United Kingdom**

### FOREIGN PATENT DOCUMENTS

[73] Assignee: **U.S. Philips Corporation, New York, N.Y.**

76177 11/1946 Czechoslovakia ..... 362/413

[\*\*] Term: **14 Years**

*Primary Examiner*—Susan J. Lucas  
*Attorney, Agent, or Firm*—Jack E. Haken

[21] Appl. No.: **515,159**

### [57] CLAIM

[22] Filed: **Apr. 26, 1991**

The ornamental design for a folding lamp, as shown and described.

### [30] Foreign Application Priority Data

### DESCRIPTION

Nov. 15, 1989 [GB] United Kingdom ..... 2002480  
[52] U.S. Cl. .... **D26/65**  
[58] Field of Search ..... D26/60-66;  
362/410-414, 418, 419, 427, 269, 275, 287;  
D24/210

FIG. 1 is a top, front, right side perspective view of a folding lamp showing my new design in operative condition;

### [56] References Cited

#### U.S. PATENT DOCUMENTS

D. 204,557 4/1966 Bergmans ..... D24/210  
D. 278,461 4/1985 Pepall ..... D26/65 X

FIG. 2 is a front elevational view thereof;

FIG. 3 is a rear elevational plan view thereof;

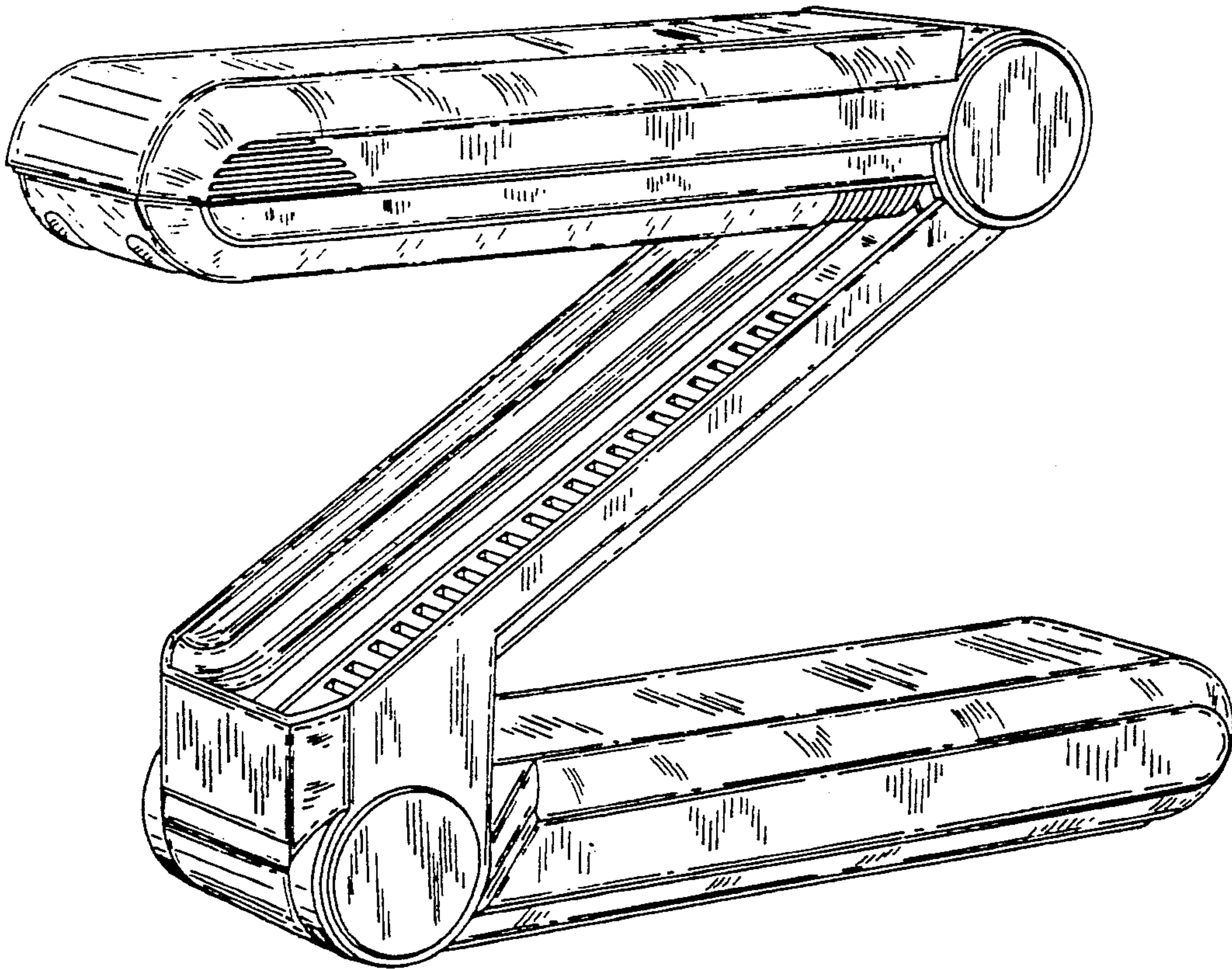
FIG. 4 is a right side elevational view thereof;

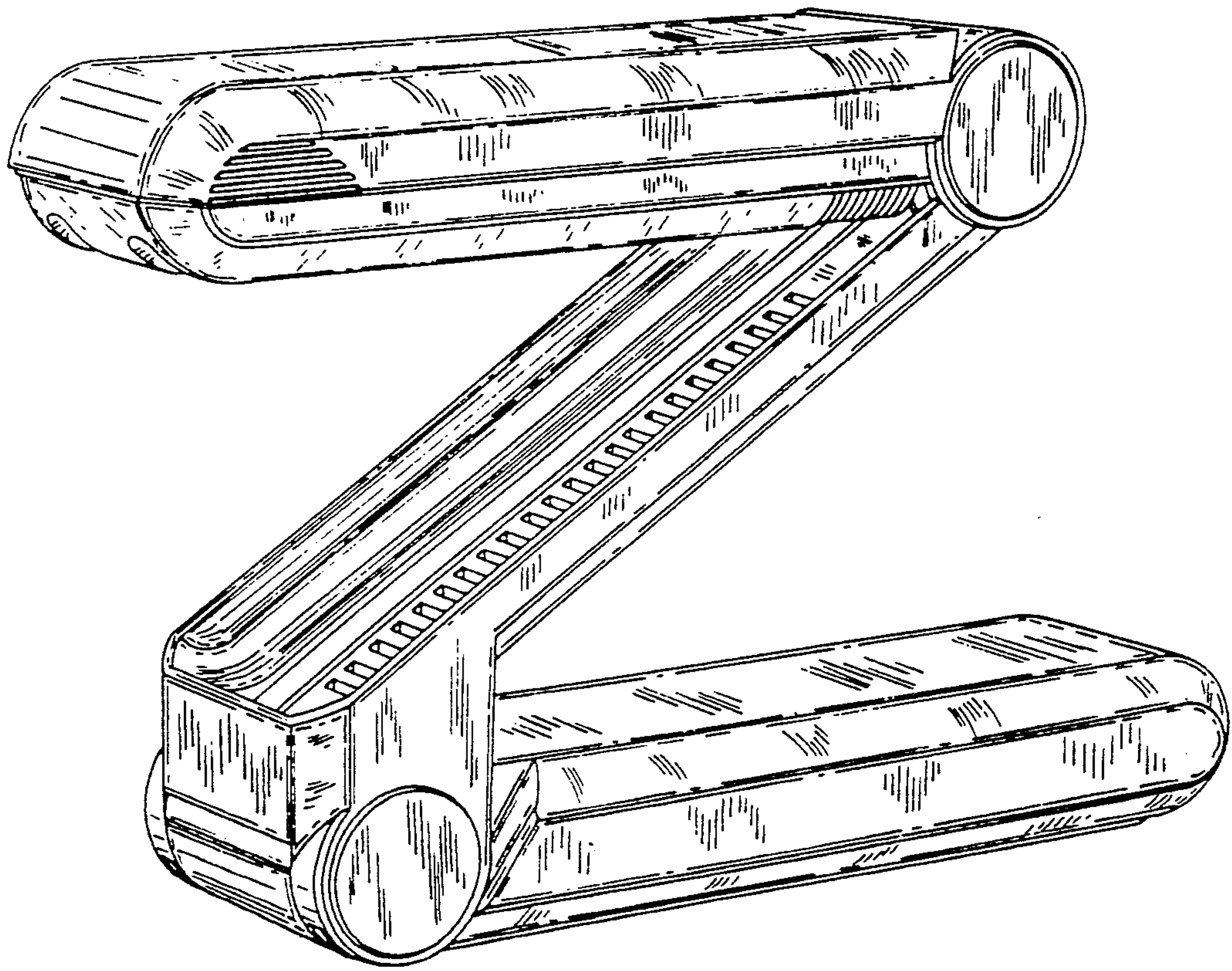
FIG. 5 is a left side elevational view thereof;

FIG. 6 is a bottom plan view thereof;

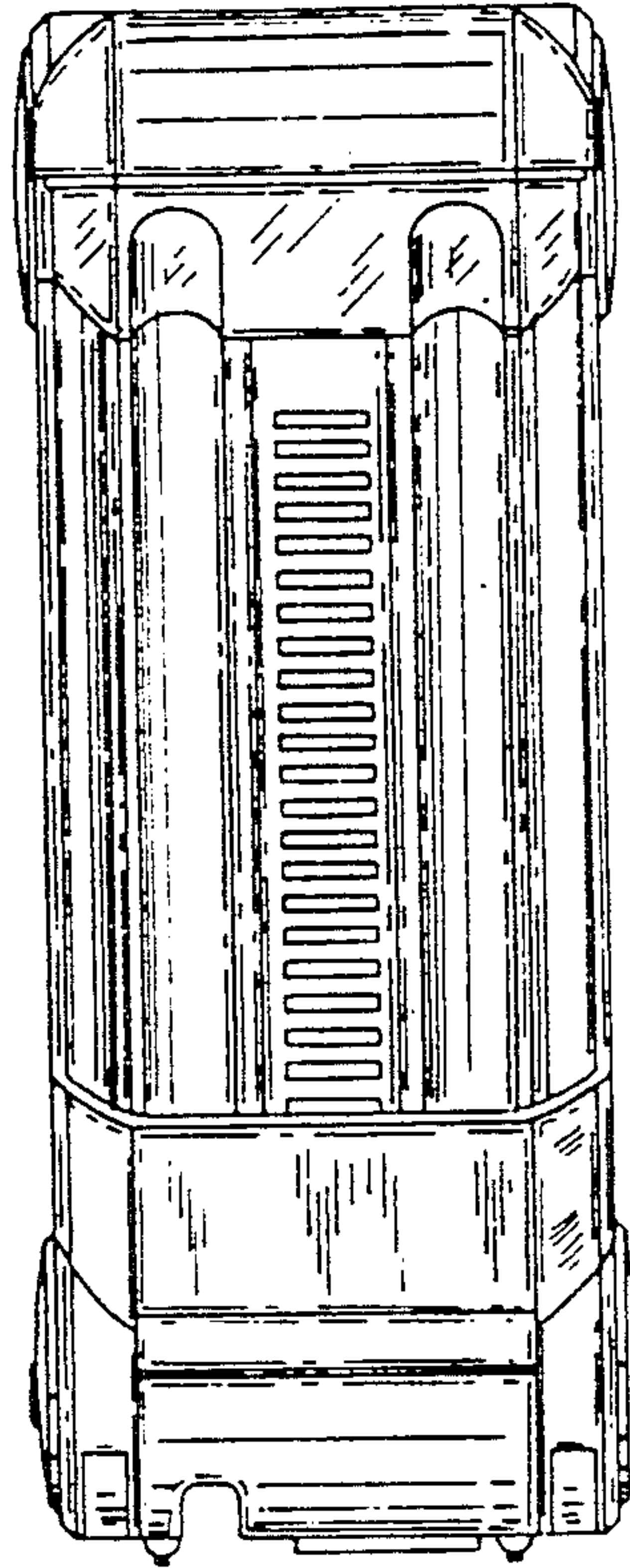
FIG. 7 is a top plan view thereof; and,

FIG. 8 is a perspective view showing our new design in collapsed position.

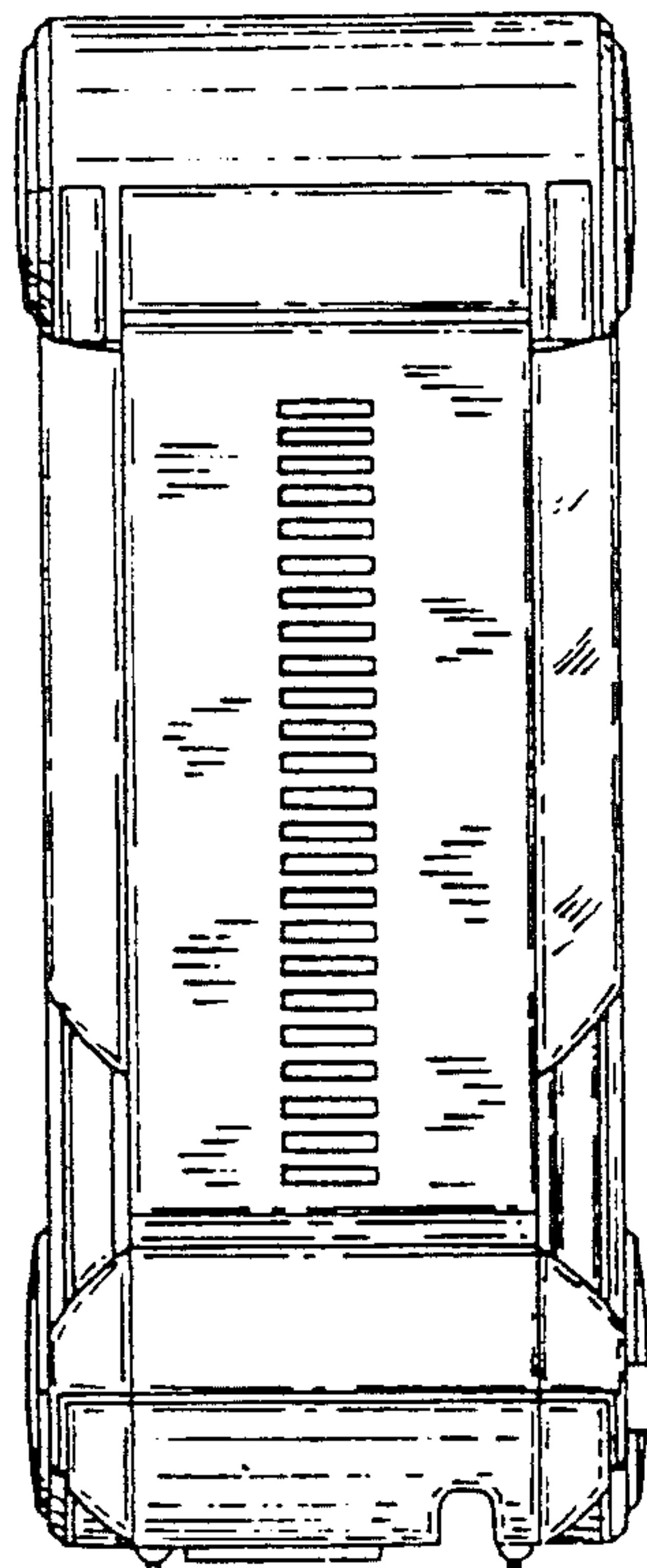




**FIG. 1**

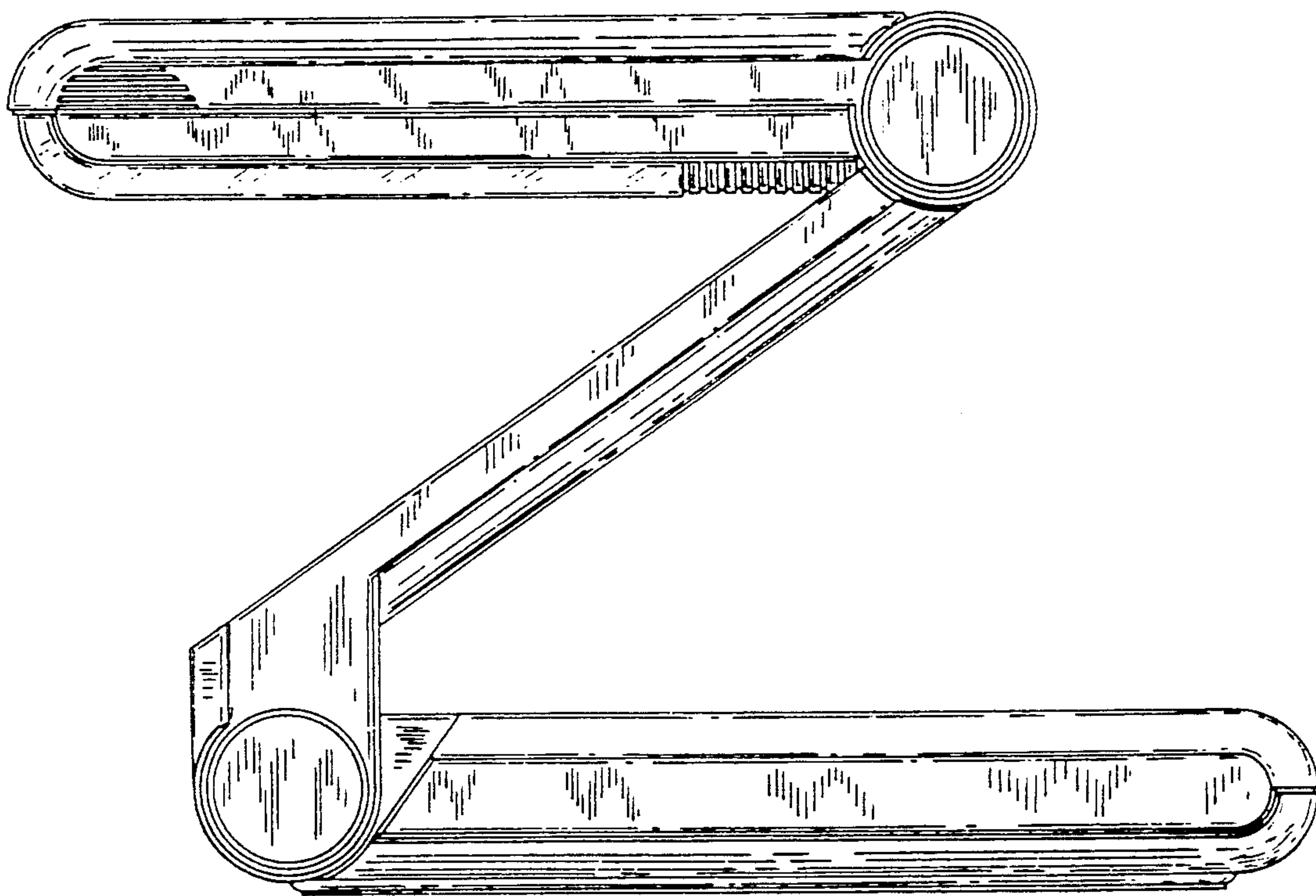


**FIG. 2**

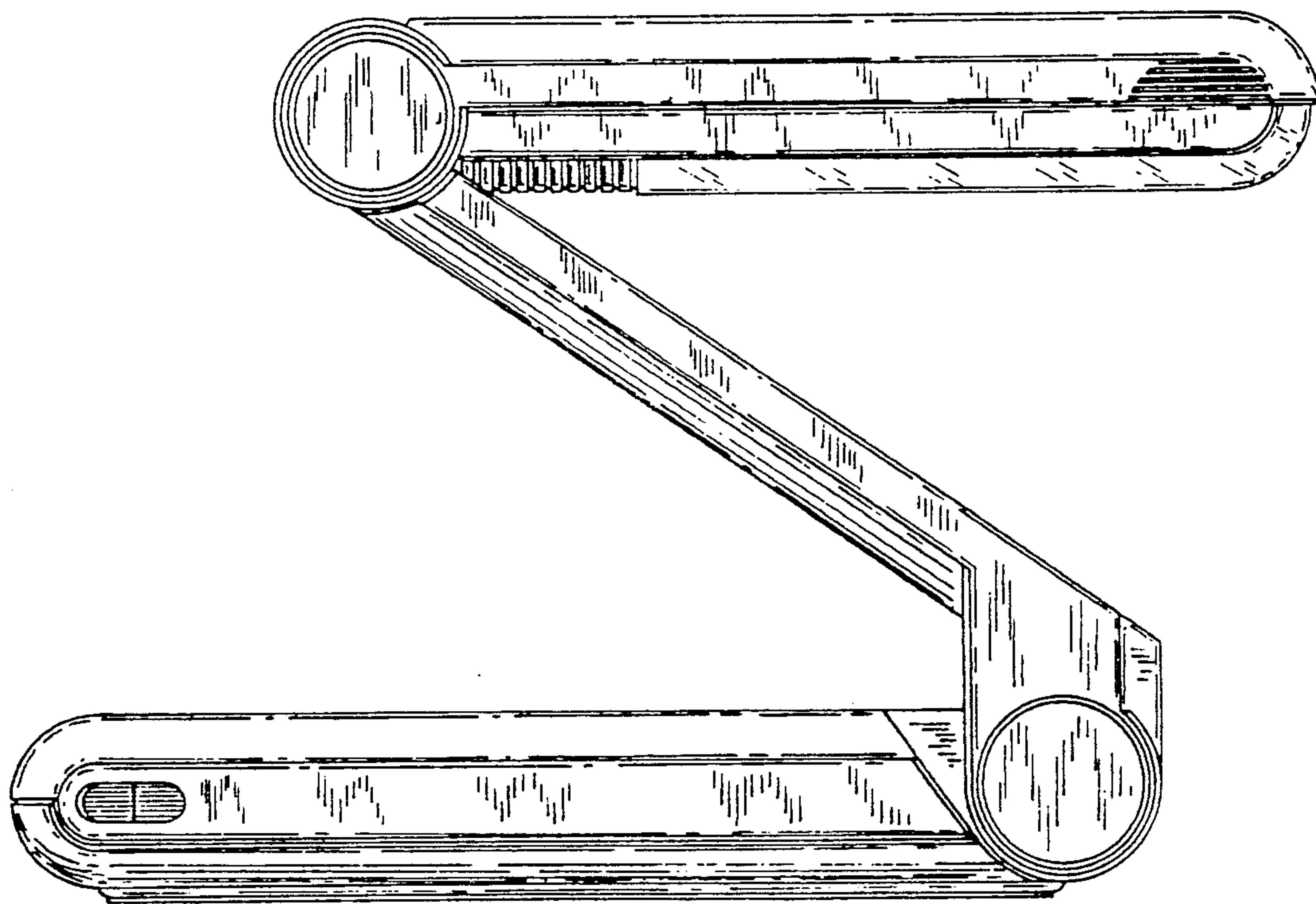


**FIG. 3**

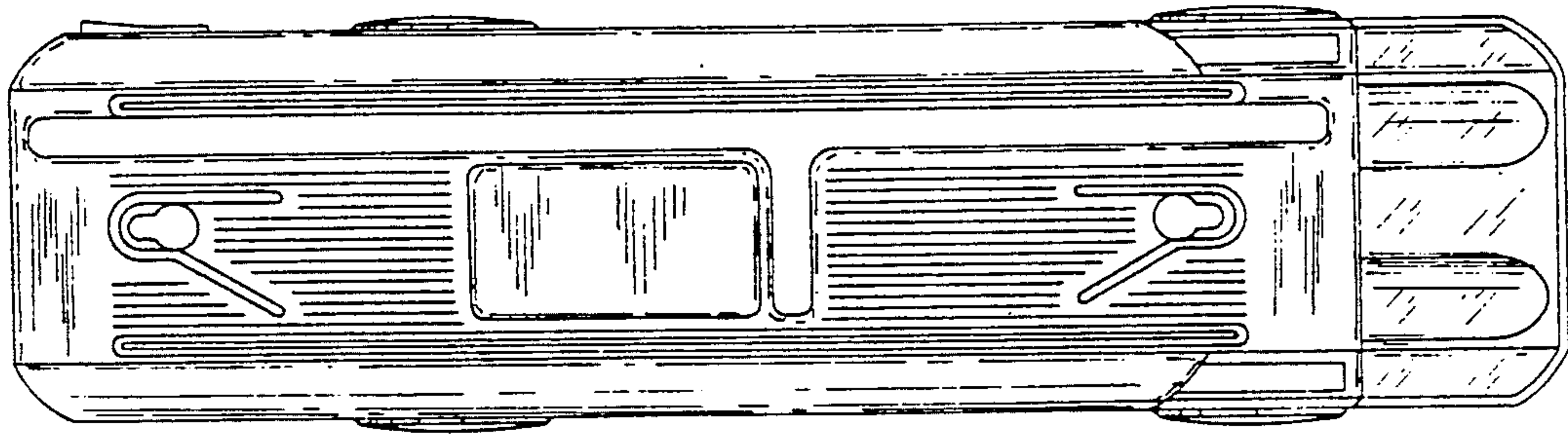




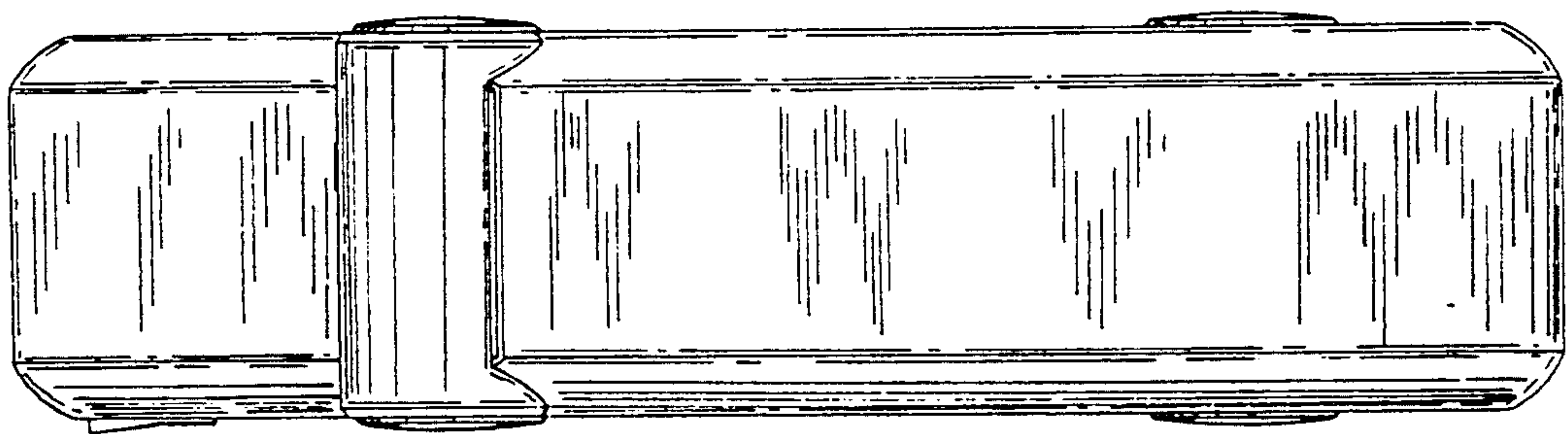
**FIG. 4**



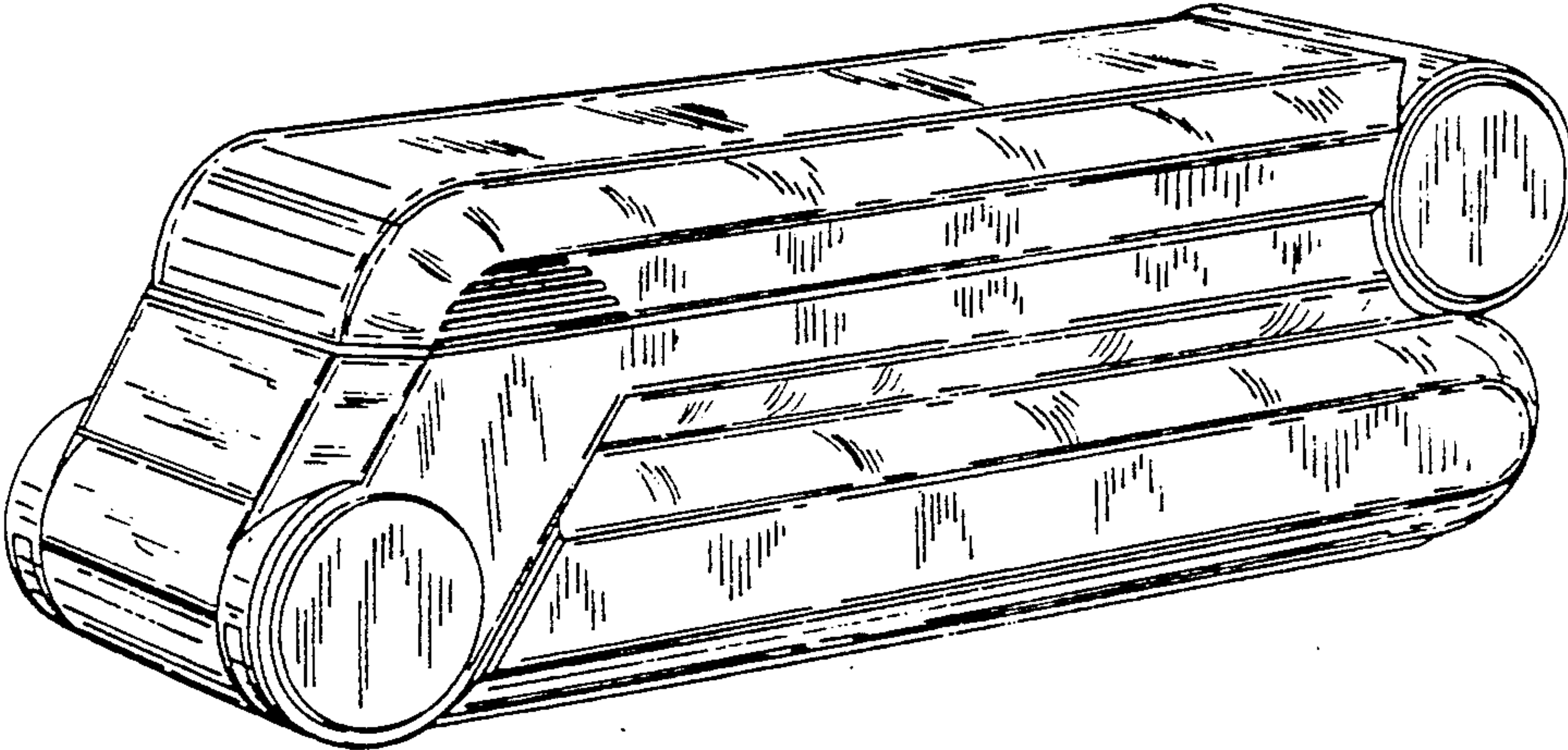
**FIG. 5**



**FIG. 6**



**FIG. 7**



**FIG. 8**