



US00D327333S

United States Patent [19]

[11] Patent Number: **Des. 327,333**

Elmer

[45] Date of Patent: **** Jun. 23, 1992**

[54] **ADVERTISING SIGN HOLDER FOR AUTOMOBILES**

D. 256,419 8/1980 Hom D20/10

[76] Inventor: **William A. Elmer**, 1010 Temple Grove Ct., Winter Park, Fla. 32789

Primary Examiner—Wallace R. Burke
Assistant Examiner—Marcus Jackson
Attorney, Agent, or Firm—Allen, Dyer, Doppelt, Franjola & Milbrath

[**] Term: **14 Years**

[21] Appl. No.: **564,972**

[57] **CLAIM**

[22] Filed: **Aug. 9, 1990**

The ornamental design for an advertising sign holder for automobiles, as shown.

[52] U.S. Cl. **D26/31; D20/10**

[58] Field of Search D20/10, 15, 39, 40; D19/34.1, 34.2, 34.3, 96; D26/31; 40/584, 591, 592, 593, 617, 618, 624

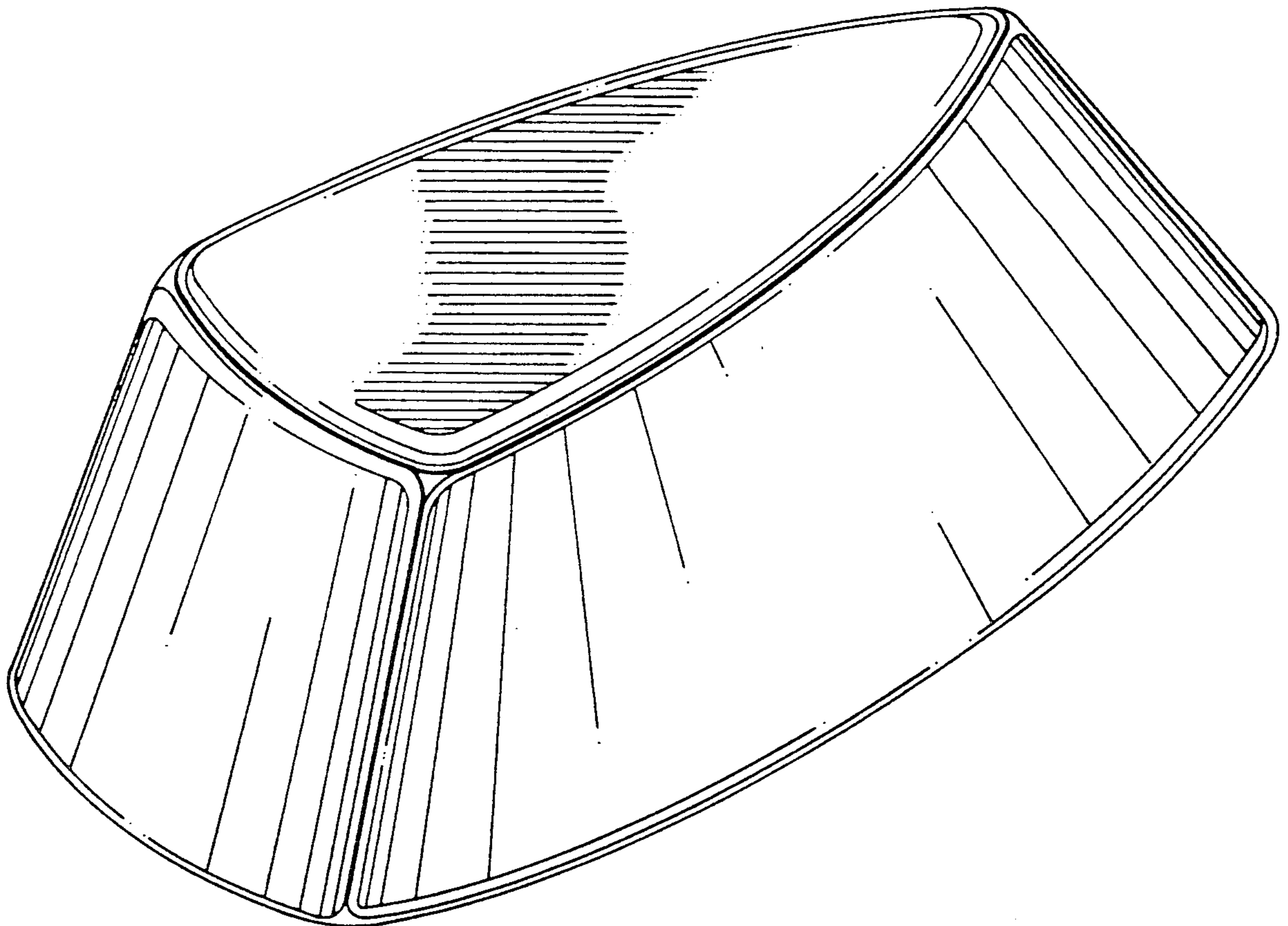
DESCRIPTION

[56] **References Cited**

U.S. PATENT DOCUMENTS

- D. 207,240 3/1967 Stevens et al. D26/31
- D. 246,937 1/1978 Smith D20/10

FIG. 1 is a perspective view of an advertising sign holder for automobiles showing my new design;
FIG. 2 is a top plan view thereof;
FIG. 3 is a bottom plan view thereof;
FIG. 4 is a side elevational thereof;
FIG. 5 is a front elevational thereof; and,
FIG. 6 is a rear elevational thereof.



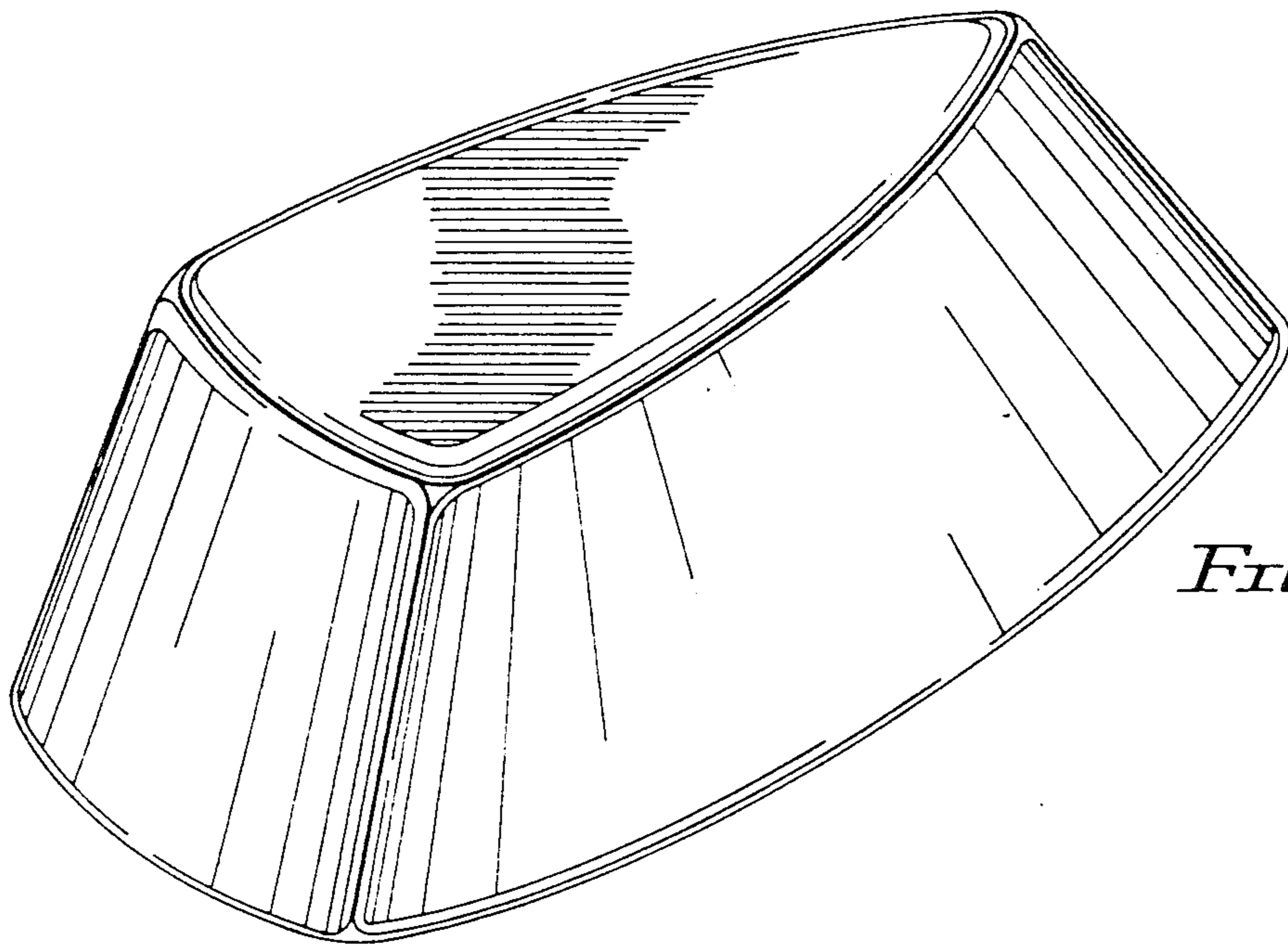


FIG. 1

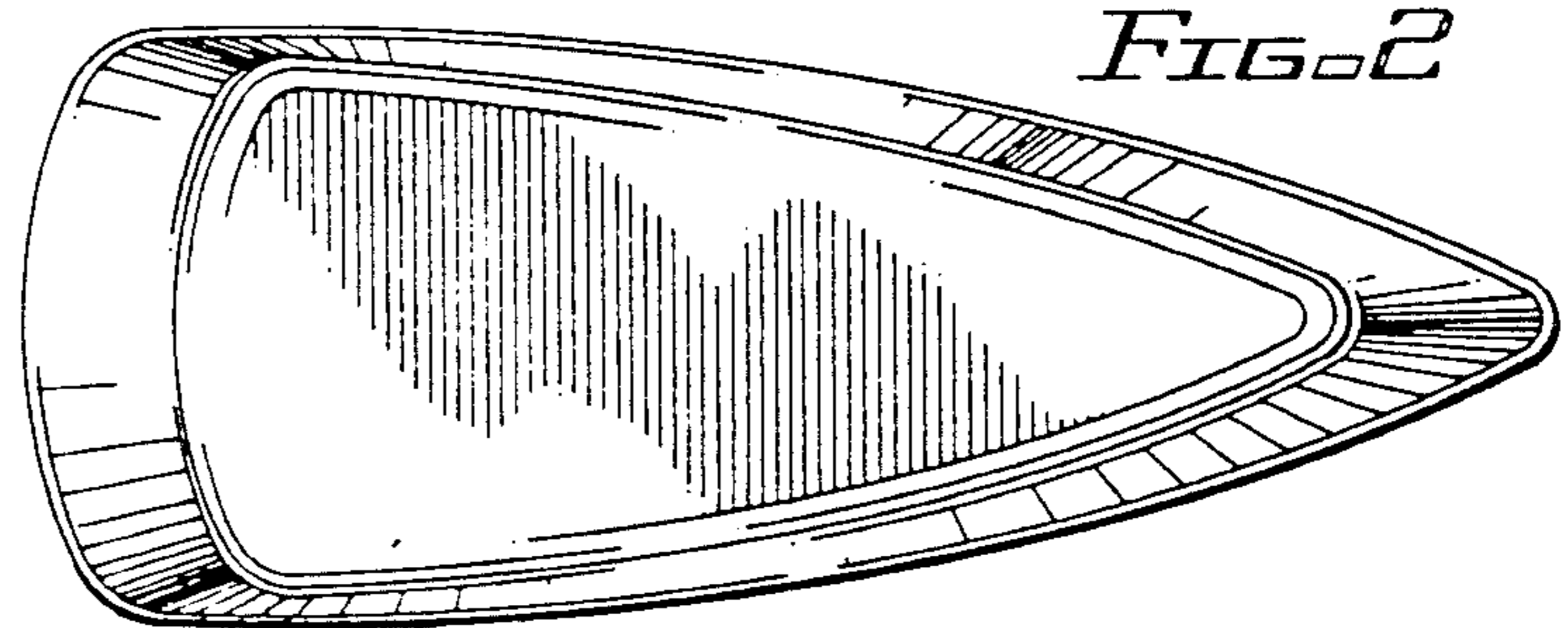


FIG. 2

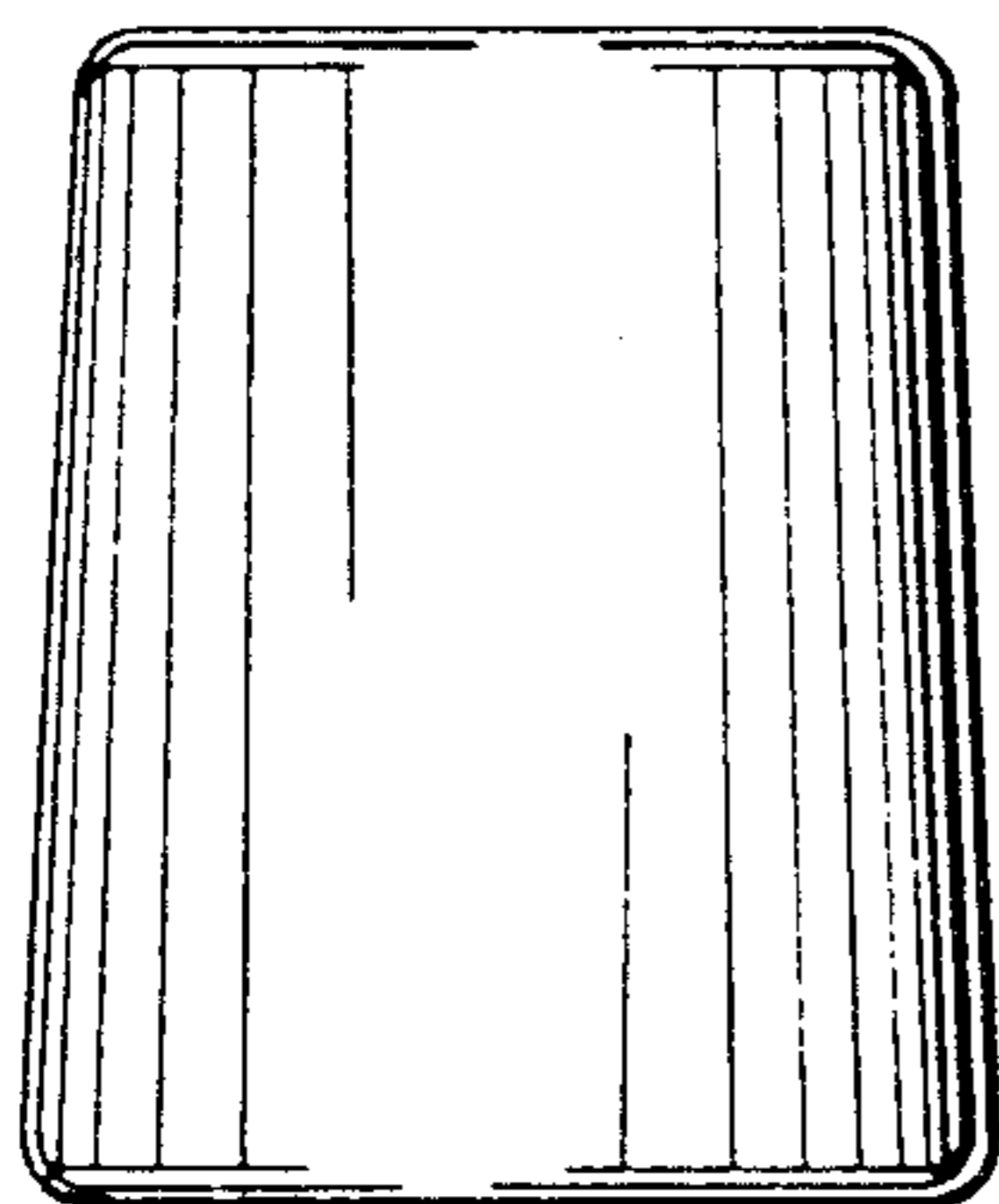


FIG. 5

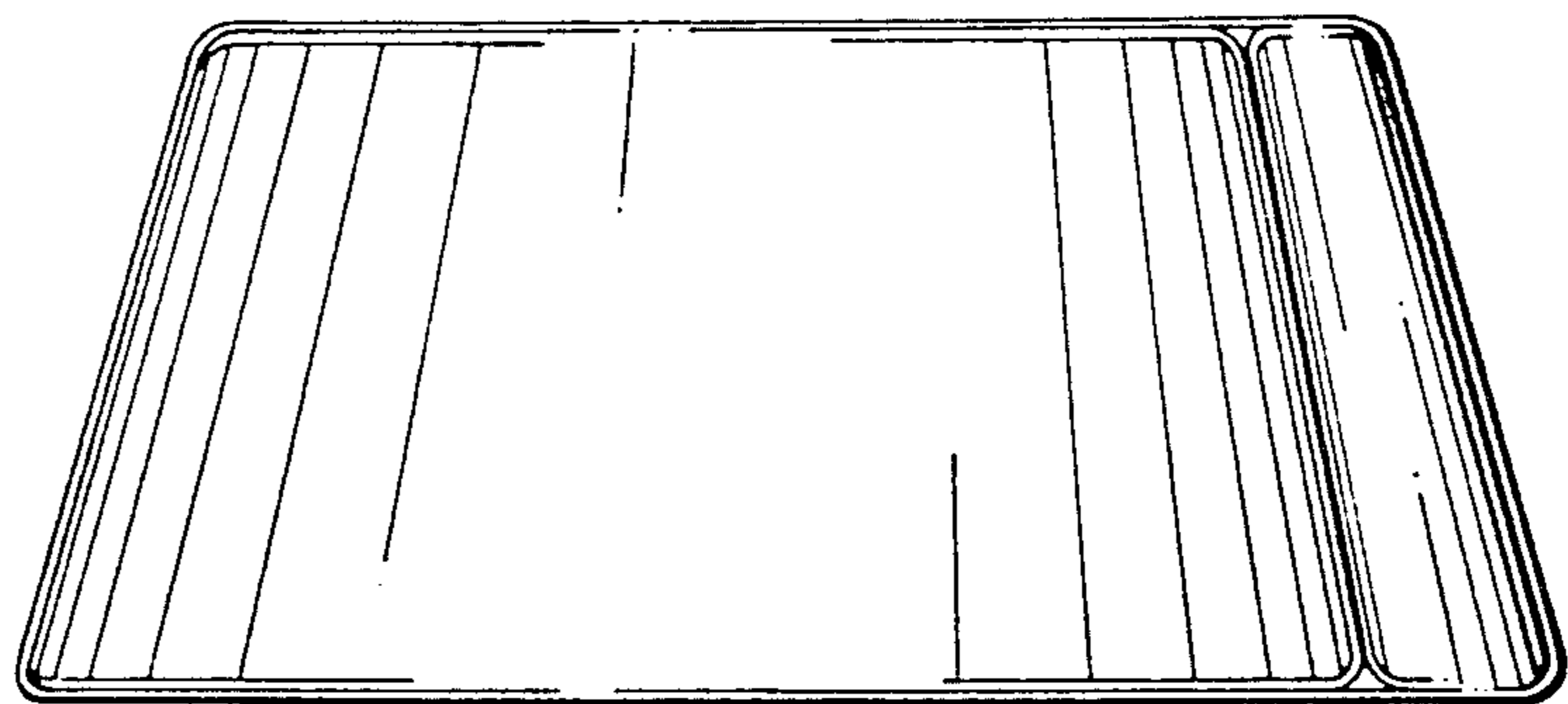


FIG. 4

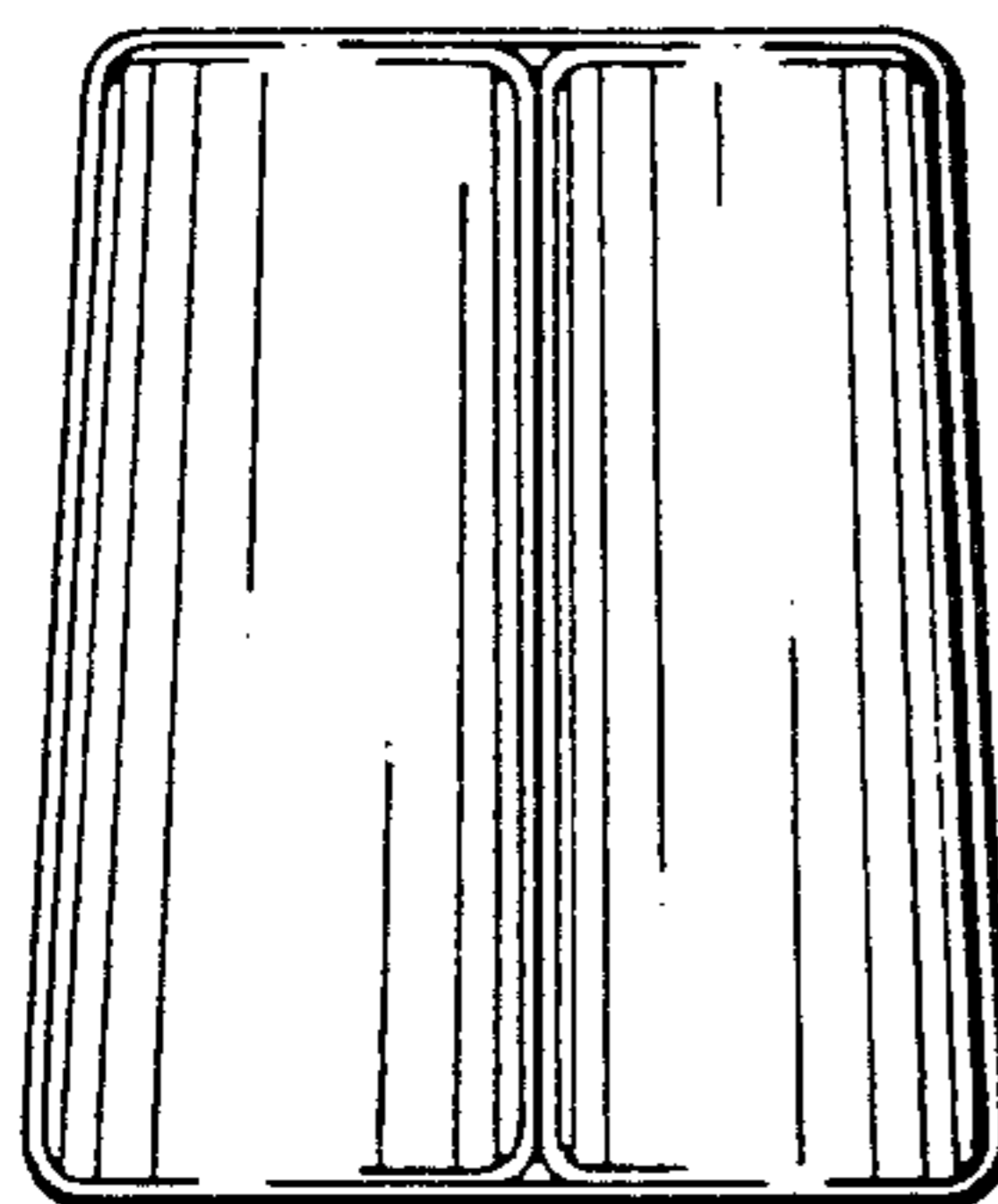


FIG. 6

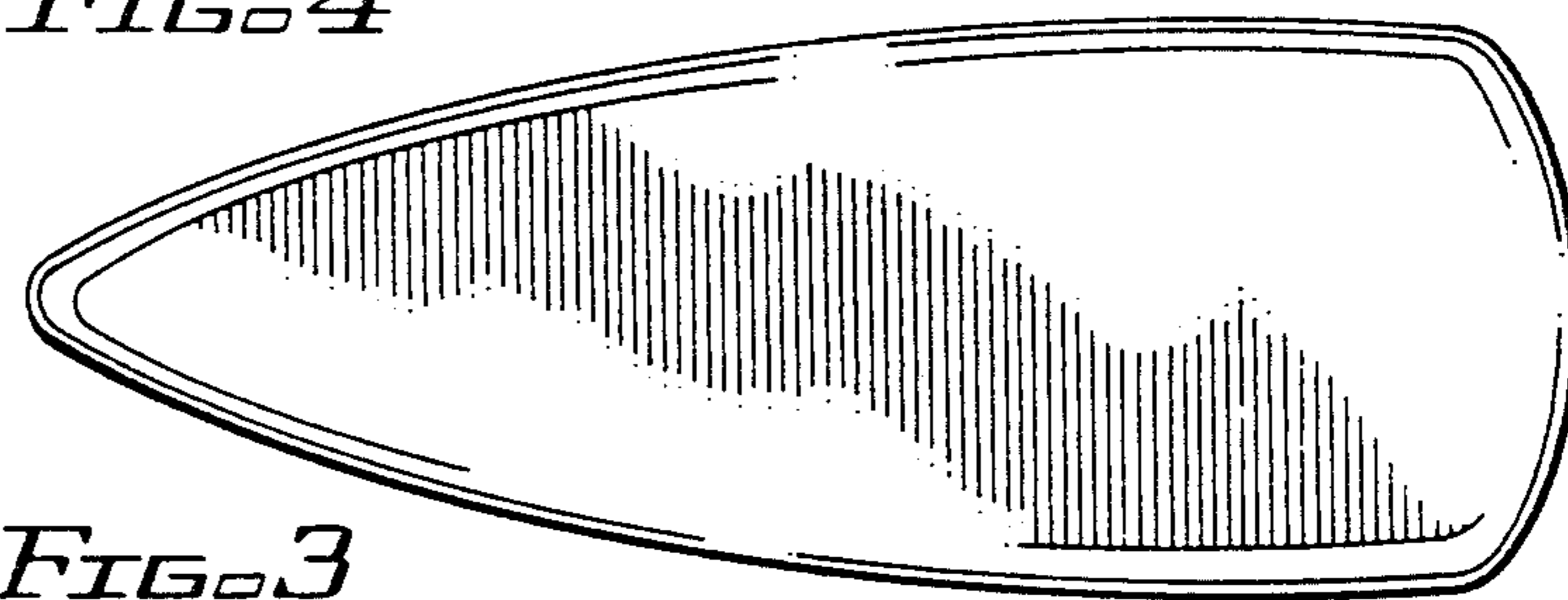


FIG. 3