



US00D327332S

United States Patent [19]
Clark

[11] **Patent Number: Des. 327,332**
[45] **Date of Patent: ** Jun. 23, 1992**

[54] **RIB EXTRUSION**

[75] **Inventor: James E. Clark, Newark, N.J.**

[73] **Assignee: Outwater Plastic Industries, Inc.,
Woodridge, N.J.**

[*] **Notice:** The portion of the term of this patent
subsequent to Jan. 2, 2004 has been
disclaimed.

[**] **Term: 14 Years**

[21] **Appl. No.: 668,318**

[22] **Filed: Mar. 12, 1991**

Related U.S. Application Data

[63] Continuation of Ser. No. 319,552. Mar. 6, 1989, abandoned.

[52] **U.S. Cl. D25/124**

[58] **Field of Search D25/47, 52, 60, 119,
D25/121-124; 49/501, 502, 504, DIG. 1, DIG.
2; 52/730-732, 738**

[56] **References Cited**

U.S. PATENT DOCUMENTS

D. 275,324 8/1984 Wahlin D25/124
3,188,037 6/1965 Hinrichs D25/122

Primary Examiner—A. Hugo Word

Assistant Examiner—Doris Clark

Attorney, Agent, or Firm—Weingram & Zall

[57] **CLAIM**

The ornamental design for a rib extrusion, as shown and described.

DESCRIPTION

FIG. 1 is a fragmentary perspective view of a rib extrusion showing my new design;

FIG. 2 is a right-end elevational view thereof, the left-end elevational view being a mirror image thereof;

FIG. 3 is a fragmentary front elevational view thereof;

FIG. 4 is a fragmentary top plan view thereof;

FIG. 5 is a fragmentary rear elevational view thereof; and,

FIG. 6 is a fragmentary bottom plan view thereof.

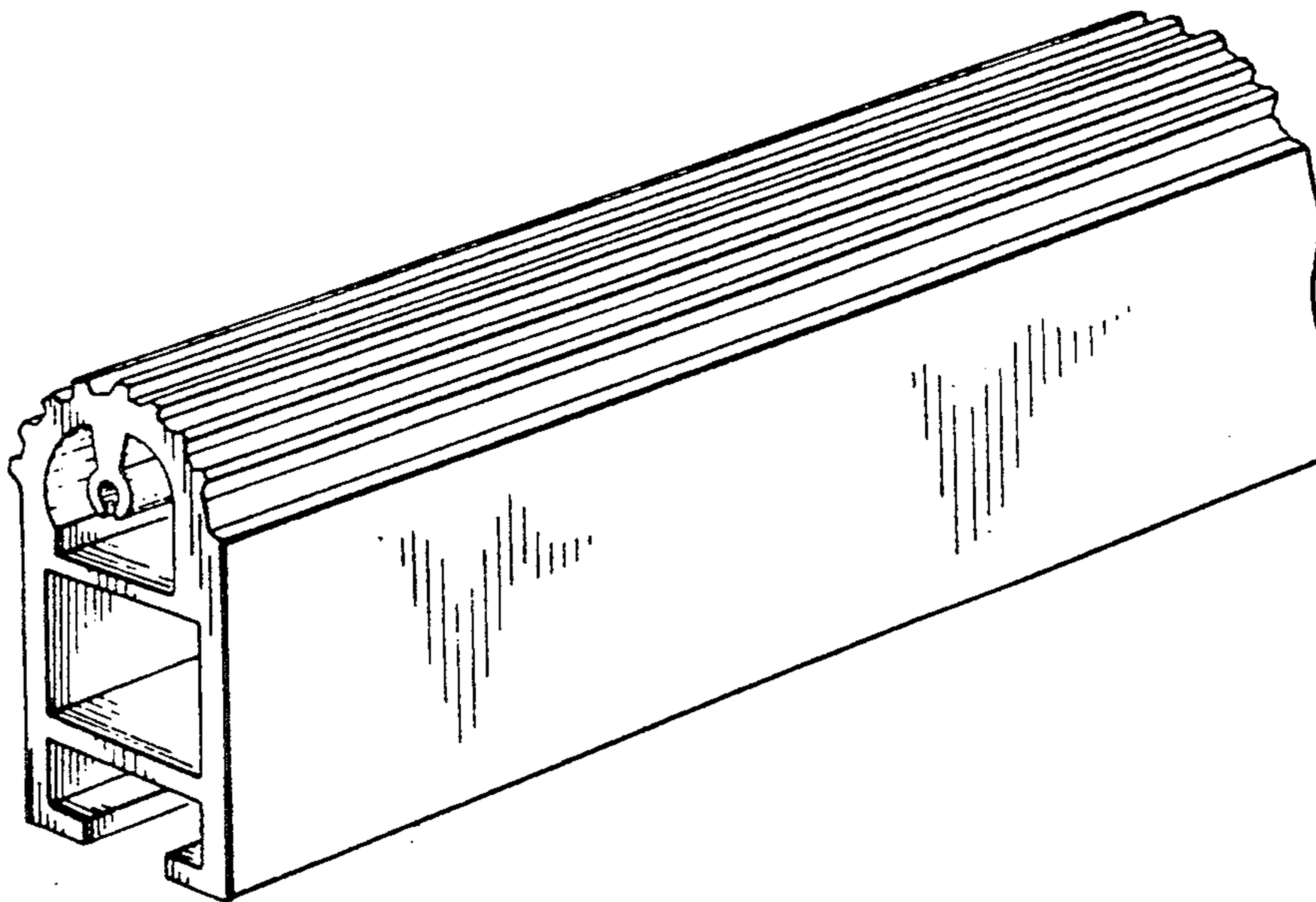


FIG-1

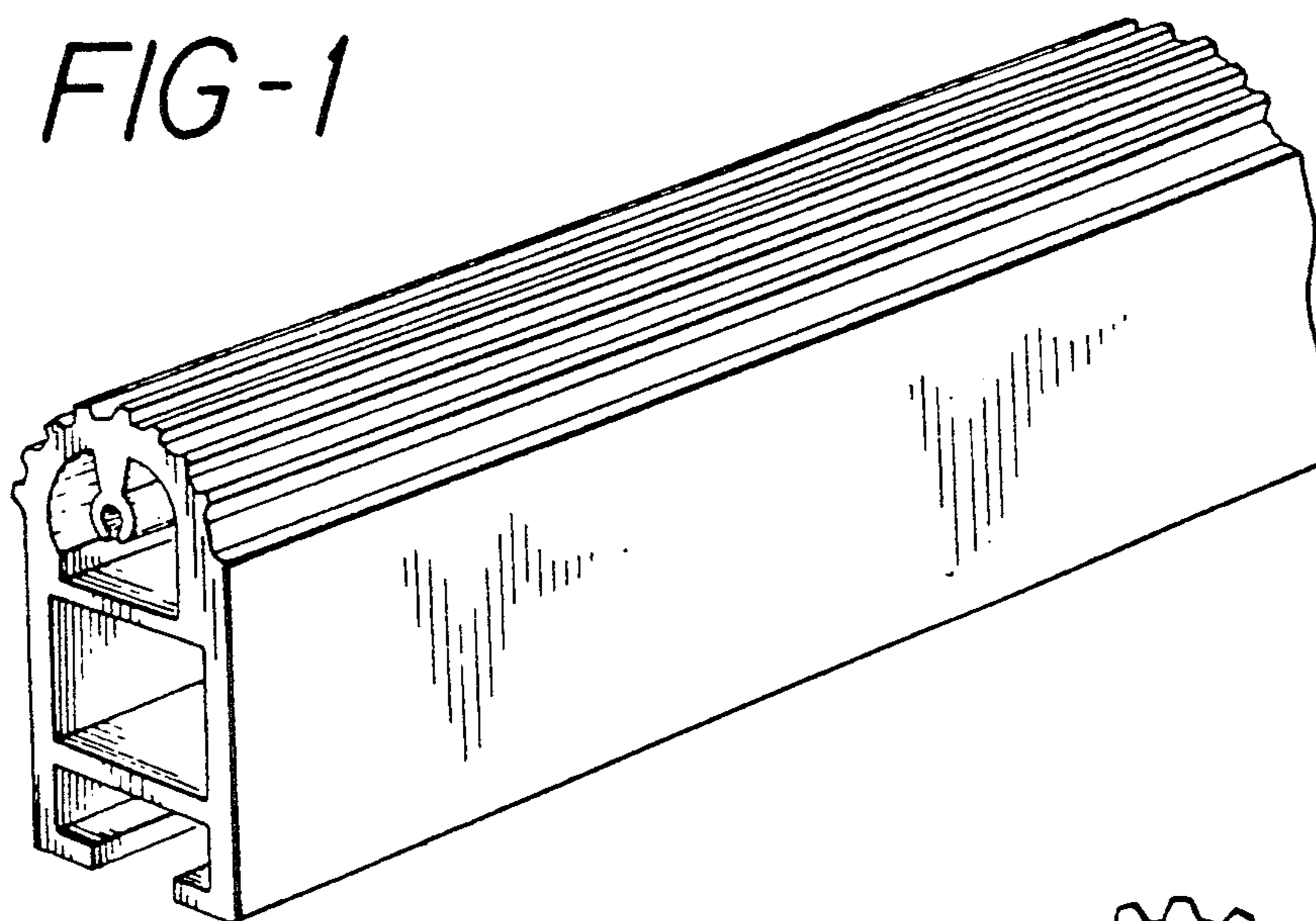


FIG-2

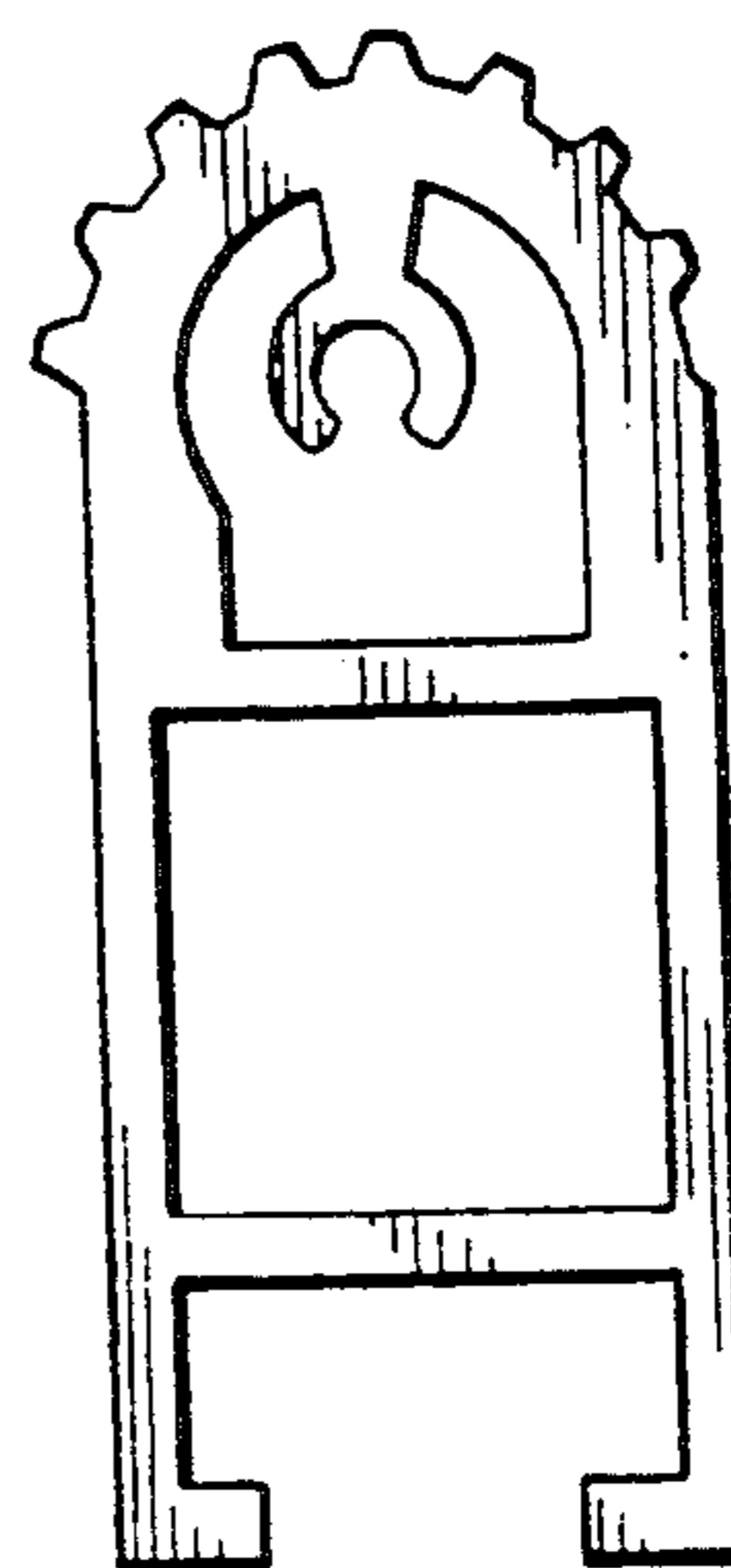


FIG-3

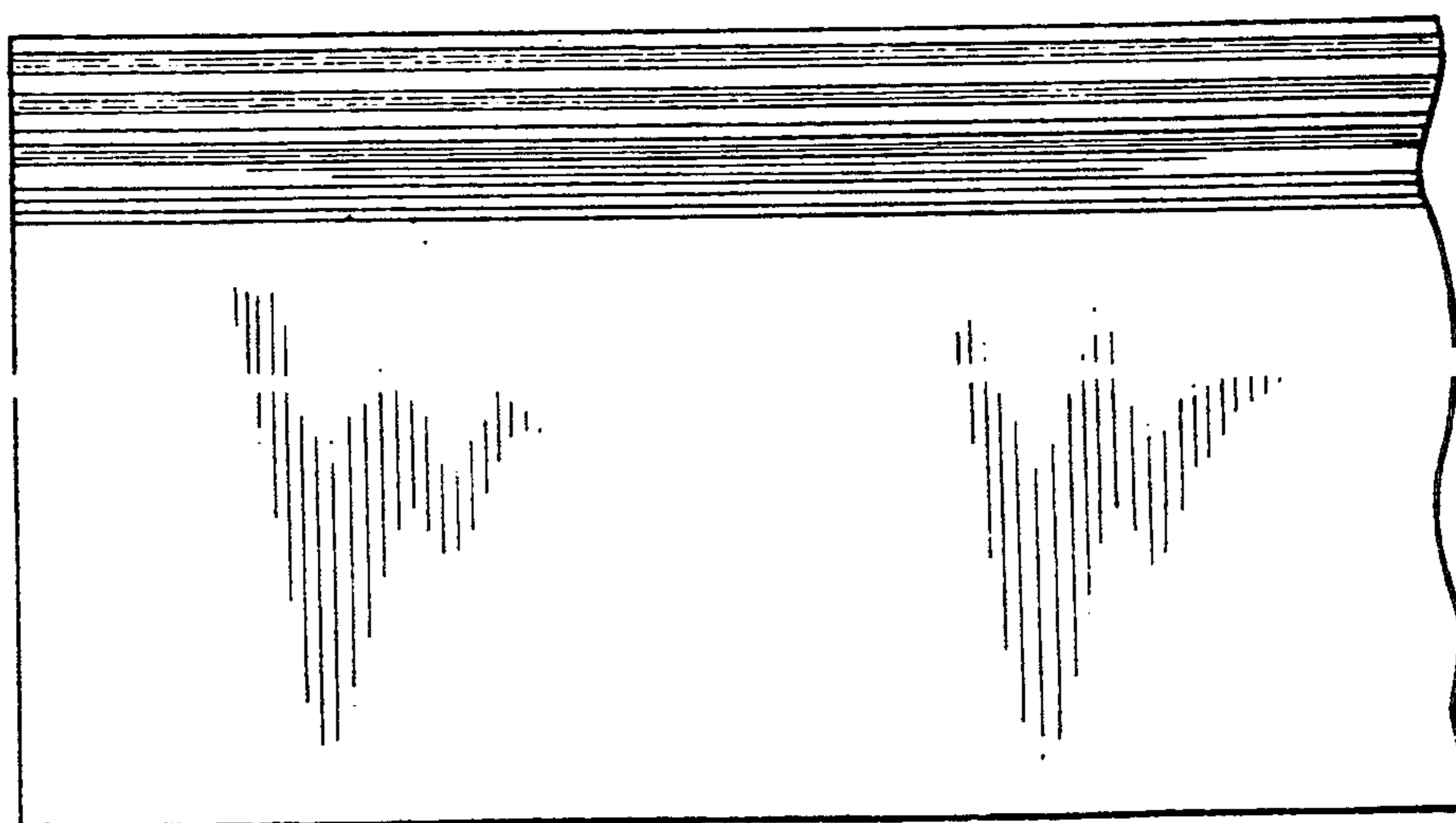


FIG-4

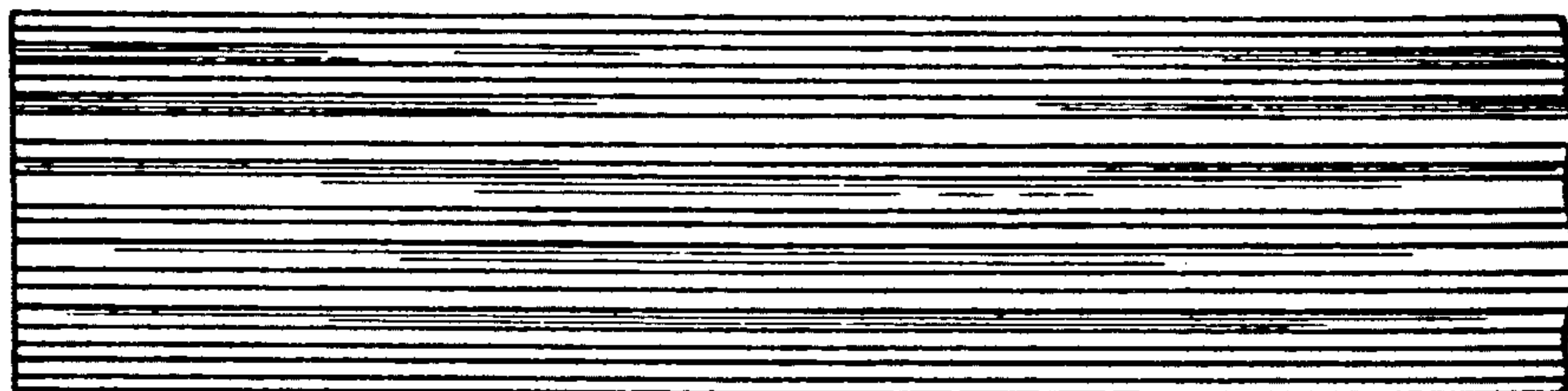


FIG-5

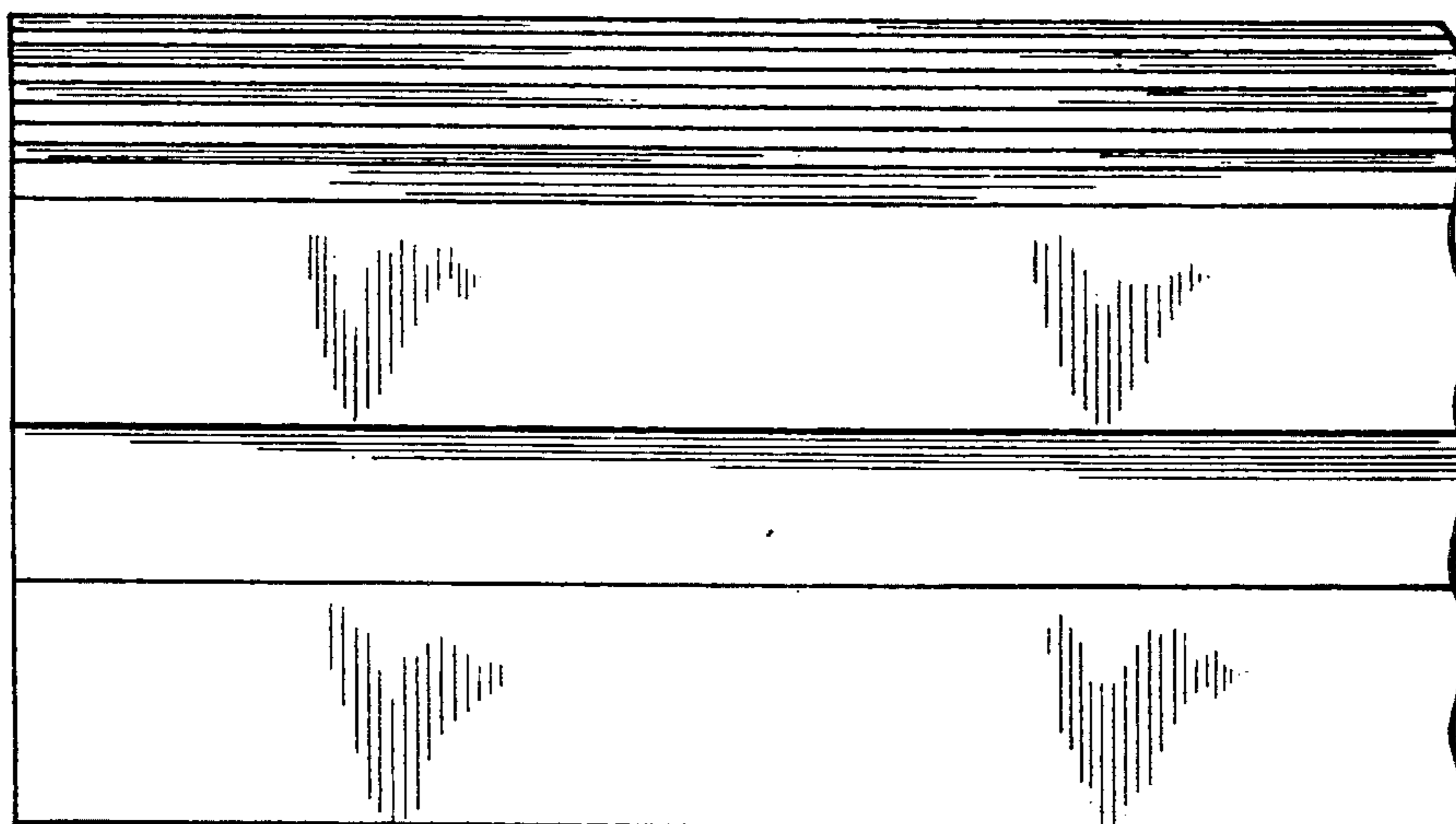
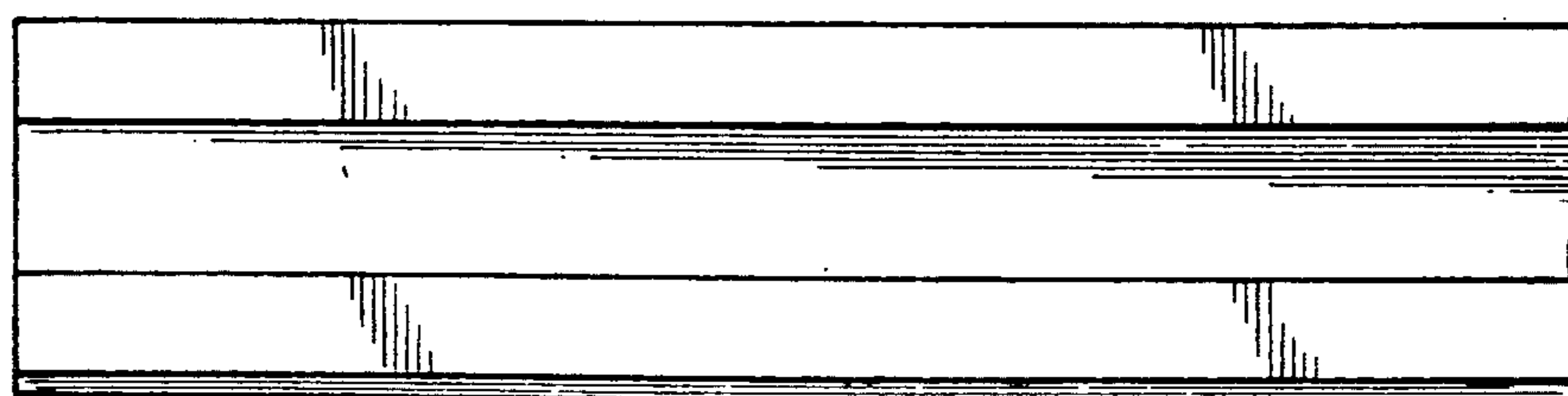


FIG-6



UNITED STATES PATENT AND TRADEMARK OFFICE
CERTIFICATE OF CORRECTION

PATENT NO. : Des. 327,332
DATED : June 23, 1992
INVENTOR(S) : James E. Clark

Page 1 of 3

It is certified that error appears in the above-identified patent and that said Letters Patent is hereby corrected as shown below:

The title page, should be deleted to be replaced with the attached title page.

The drawing sheet, consisting of Figs. 1-3, should be deleted to be replaced with the drawing sheet, consisting of Figs. 1-3, as shown on the attached page.

Signed and Sealed this
Fifteenth Day of November, 1994

Attest:



BRUCE LEHMAN

Attesting Officer

Commissioner of Patents and Trademarks



USC 27332S

United States Patent [19]

Clark

[11] Patent Number: Des. 327,332

[45] Date of Patent: ** Jun. 23, 1992

[54] RIB EXTRUSION

[75] Inventor: James E. Clark, Newark, N.J.

[73] Assignee: Outwater Plastic Industries, Inc., Woodridge, N.J.

[*] Notice: The portion of the term of this patent subsequent to Jan. 2, 2004 has been disclaimed.

[**] Term: 14 Years

[21] Appl. No.: 668,318

[22] Filed: Mar. 12, 1991

Related U.S. Application Data

[63] Continuation of Ser. No. 319,552, Mar. 6, 1989, abandoned.

[52] U.S. Cl. D25/124

[58] Field of Search D25/47, 52, 60, 119, D25/121-124; 49/501, 502, 504, DIG. 1, DIG. 2; 52/730-732, 738

[56] References Cited

U.S. PATENT DOCUMENTS

D. 275,324 8/1984 Wahlin D25/124
3,188,037 6/1965 Hinrichs D25/122

Primary Examiner—A. Hugo Word
Assistant Examiner—Doris Clark
Attorney, Agent, or Firm—Weingram & Zall

[57] CLAIM

The ornamental design for a rib extrusion, as shown and described.

DESCRIPTION

FIG. 1 is a fragmentary perspective view of a rib extrusion showing my new design;
FIG. 2 is a right-end elevational view thereof, the left-end elevational view being a mirror image thereof;
FIG. 3 is a fragmentary front elevational view thereof;
FIG. 4 is a fragmentary top plan view thereof;
FIG. 5 is a fragmentary rear elevational view thereof; and,
FIG. 6 is a fragmentary bottom plan view thereof.

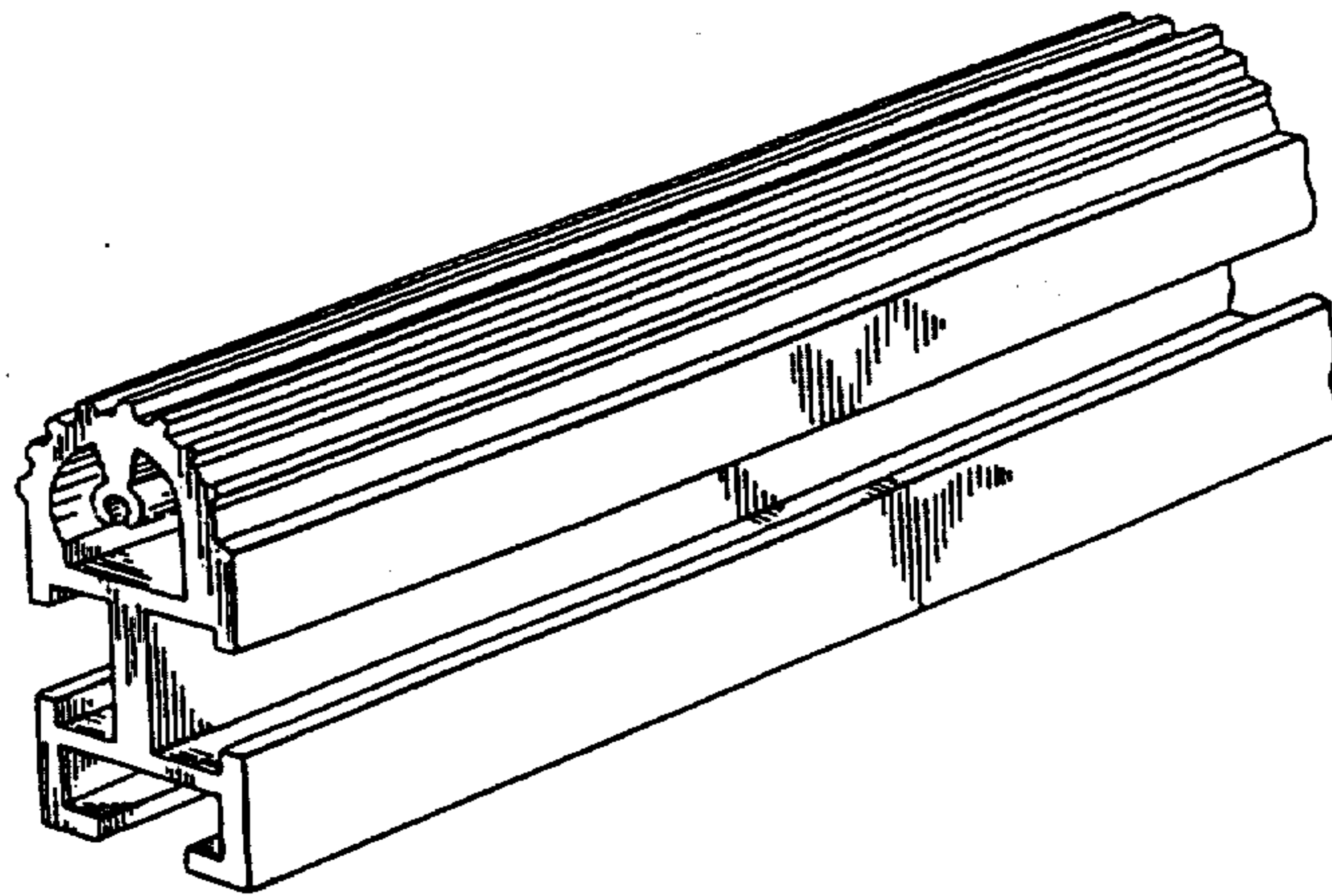


FIG-1

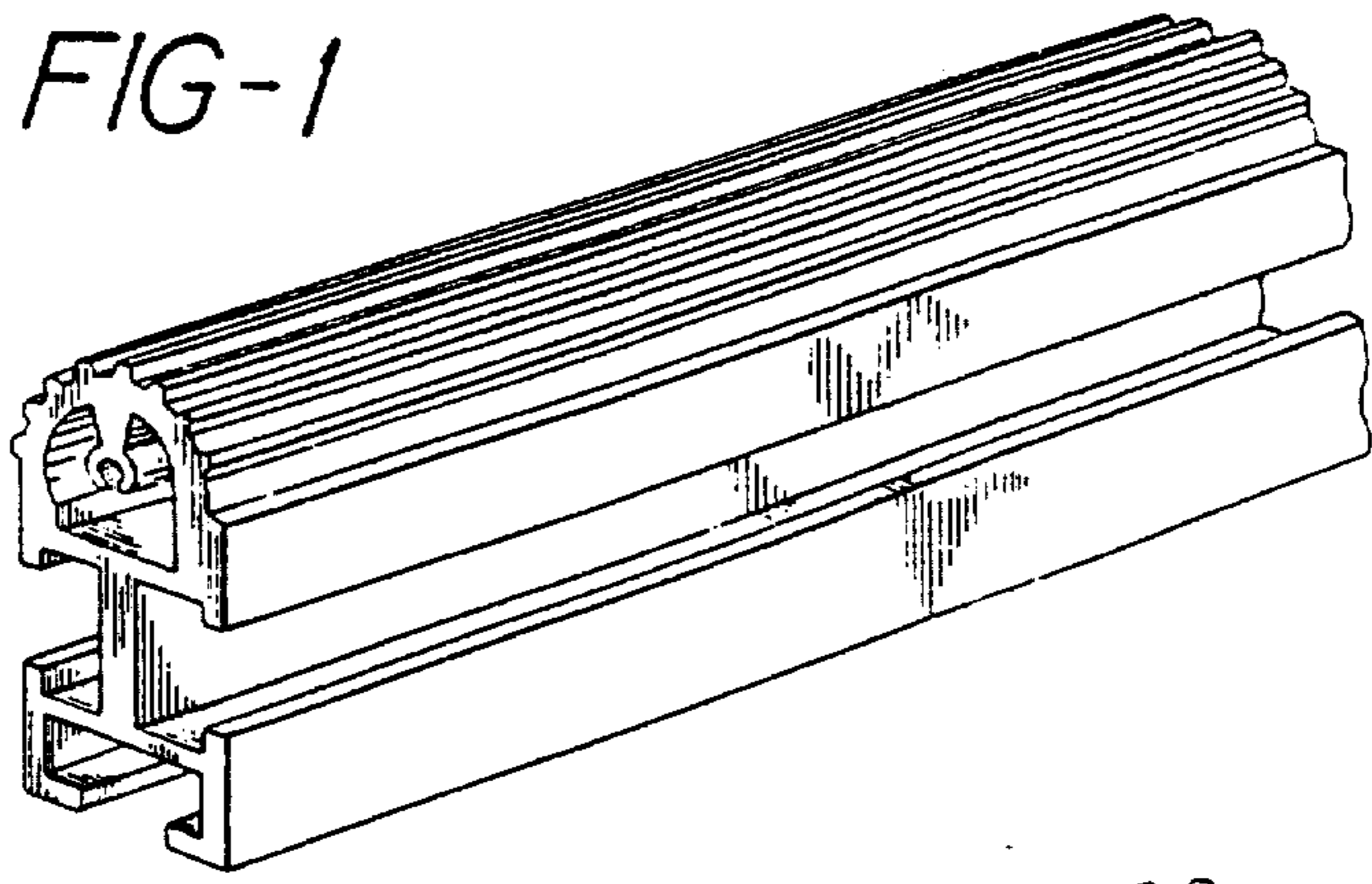


FIG-2

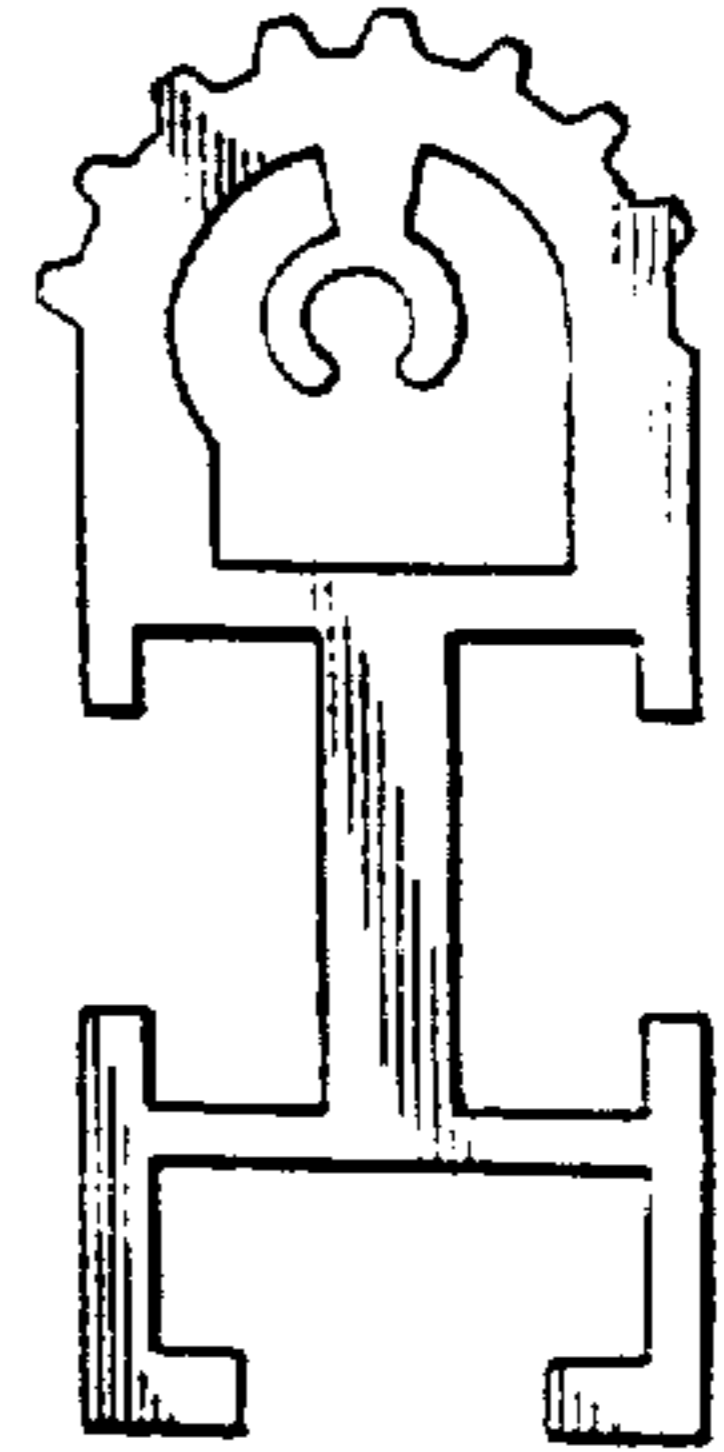


FIG-3

