



US00D327331S

United States Patent [19]

[11] Patent Number: **Des. 327,331**

Dallaire et al.

[45] Date of Patent: **** Jun. 23, 1992**

[54] **DOOR HEADER EXTRUSION**

[56] **References Cited**

[75] Inventors: **Raymond Dallaire; Dominique Dallaire, both of St. David, Canada**

U.S. PATENT DOCUMENTS

D. 263,750	4/1982	Dallaire	D25/124
D. 301,173	5/1989	Dallaire et al.	D25/124
4,922,661	5/1990	Dallaire et al.	49/504

[73] Assignee: **Dallaire Industries Ltd., Levis-Lauzon, Canada**

Primary Examiner—A. Hugo Word
Assistant Examiner—Doris Clark
Attorney, Agent, or Firm—James D. Hall

[**] Term: **14 Years**

[57] **CLAIM**

[21] Appl. No.: **523,135**

The ornamental design for a door header extrusion, as shown and described.

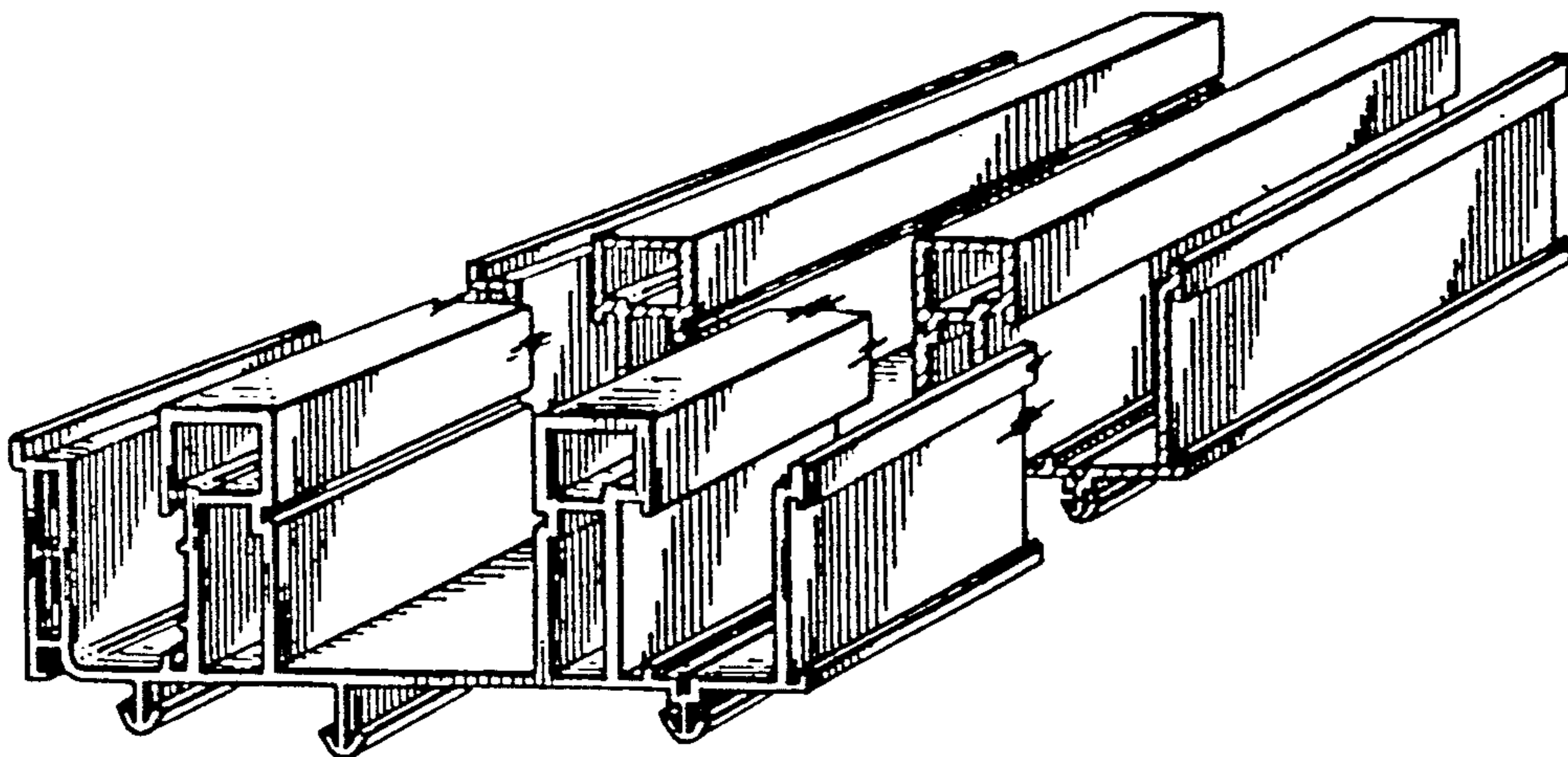
[22] Filed: **May 11, 1990**

DESCRIPTION

[52] U.S. Cl. **D25/124**

[58] Field of Search D25/48, 123, 124;
49/303-305, 314, 419, 472, 473, 485-486, 501,
504

FIG. 1 is a top perspective view of a door header extrusion showing our new design, the extrusion being broken in the center to indicate indeterminate length; and, FIG. 2 is a bottom perspective view thereof.



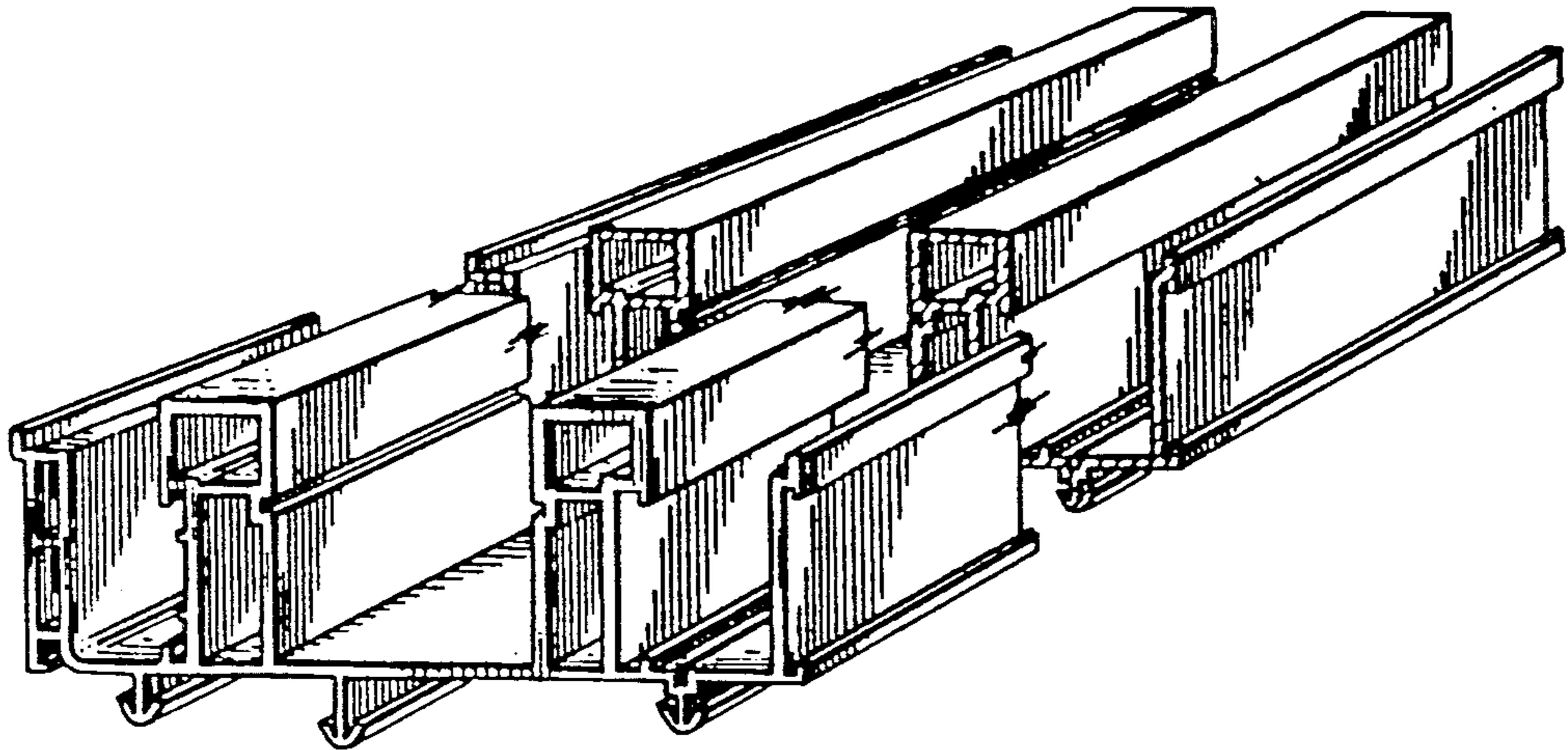


FIG. 1

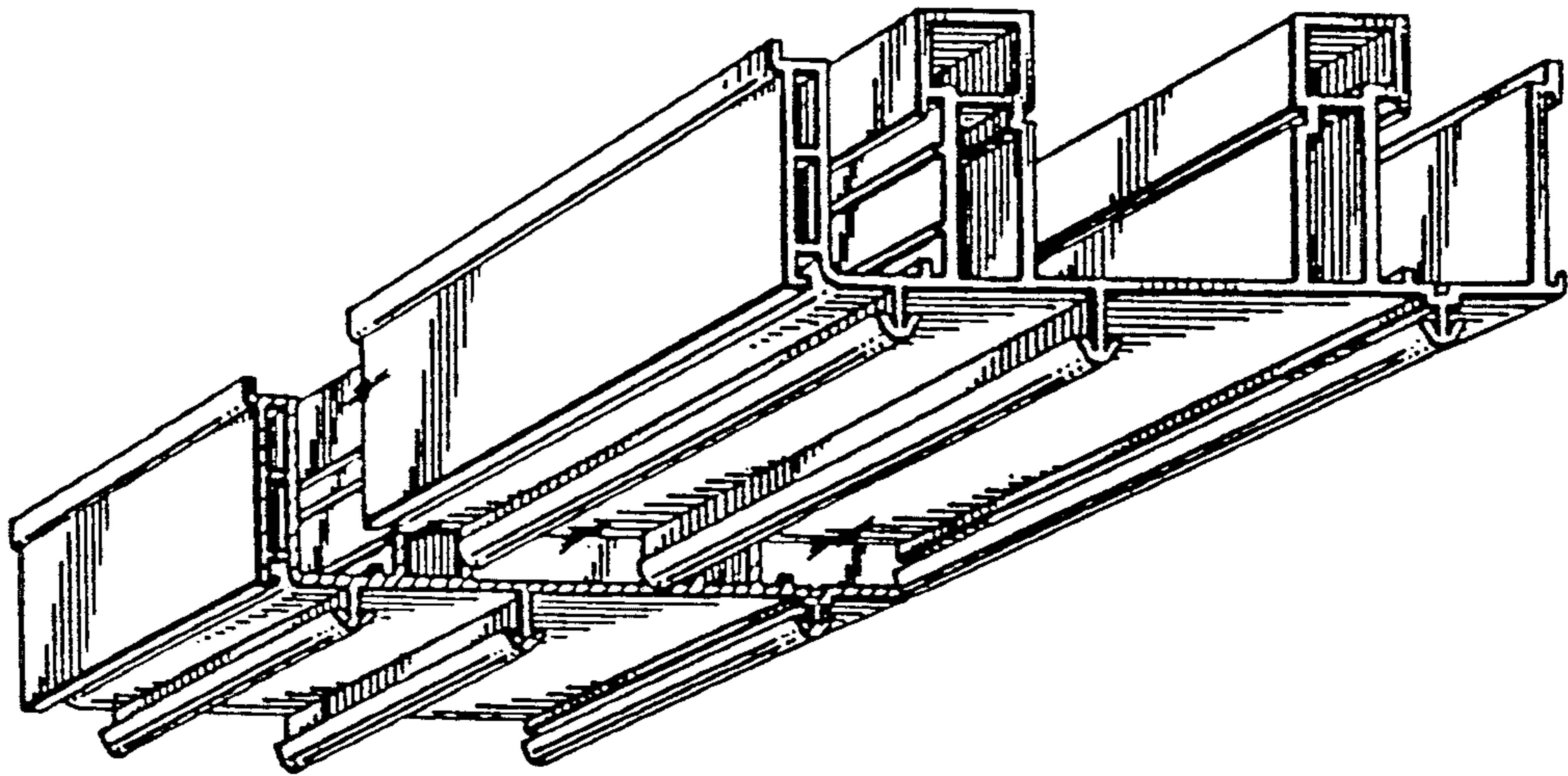


FIG. 2