



US00D327327S

United States Patent [19]

[11] Patent Number: **Des. 327,327**

Deguchi et al.

[45] Date of Patent: **** Jun. 23, 1992**

[54] **PROTECTOR FOR INTRA-VASCULAR CATHETER ASSEMBLY**

Primary Examiner—Stella Reid

Attorney, Agent, or Firm—Frishauf, Holtz, Goodman & Woodward

[75] Inventors: **Hiromi Deguchi, Fujinomiya; Masashi Yoshikawa, Tokyo, both of Japan**

[57] **CLAIM**

The ornamental design for a protector for intra-vascular catheter assembly, as shown and described.

[73] Assignee: **Terumo Kabushiki Kaisha, Tokyo, Japan**

DESCRIPTION

[**] Term: **14 Years**

FIG. 1 is a perspective view of a protector for intra-vascular catheter assembly, showing our new design;

[21] Appl. No.: **455,745**

FIG. 2 is a front elevational view thereof;

[22] Filed: **Dec. 22, 1989**

FIG. 3 is a rear elevational view thereof;

[30] **Foreign Application Priority Data**

Jun. 27, 1989 [JP] Japan 1-23513

FIG. 4 is a top plan view thereof, the bottom plan view being identical thereto;

Jun. 27, 1989 [JP] Japan 1-23514

FIG. 5 is a left side elevational view thereof;

[52] U.S. Cl. **D24/130**

FIG. 6 is a right side elevational view thereof;

[58] Field of Search D24/130; 604/263, 192-198, 604/162, 164, 110, 168

FIG. 7 is a cross-sectional view thereof, taken along line VII-VII of FIG. 2;

[56] **References Cited**

U.S. PATENT DOCUMENTS

D. 320,456 10/1991 Grossman D24/130

FIG. 8 is a perspective view of a second embodiment of the protector for intra-vascular catheter assembly;

4,627,843 12/1986 Raines 604/192 X

FIG. 9 is a front elevational view thereof;

4,717,386 1/1988 Simmons D24/130 X

FIG. 10 is a rear elevational view thereof;

4,799,927 1/1989 Davis et al. D24/130 X

FIG. 11 is a top plan view thereof, the bottom plan view being identical thereto;

FIG. 12 is a left side elevational view thereof;

FIG. 13 is a right side elevational view thereof; and,

FIG. 14 is a cross-sectional view thereof, taken along line XIV-XIV of FIG. 9.

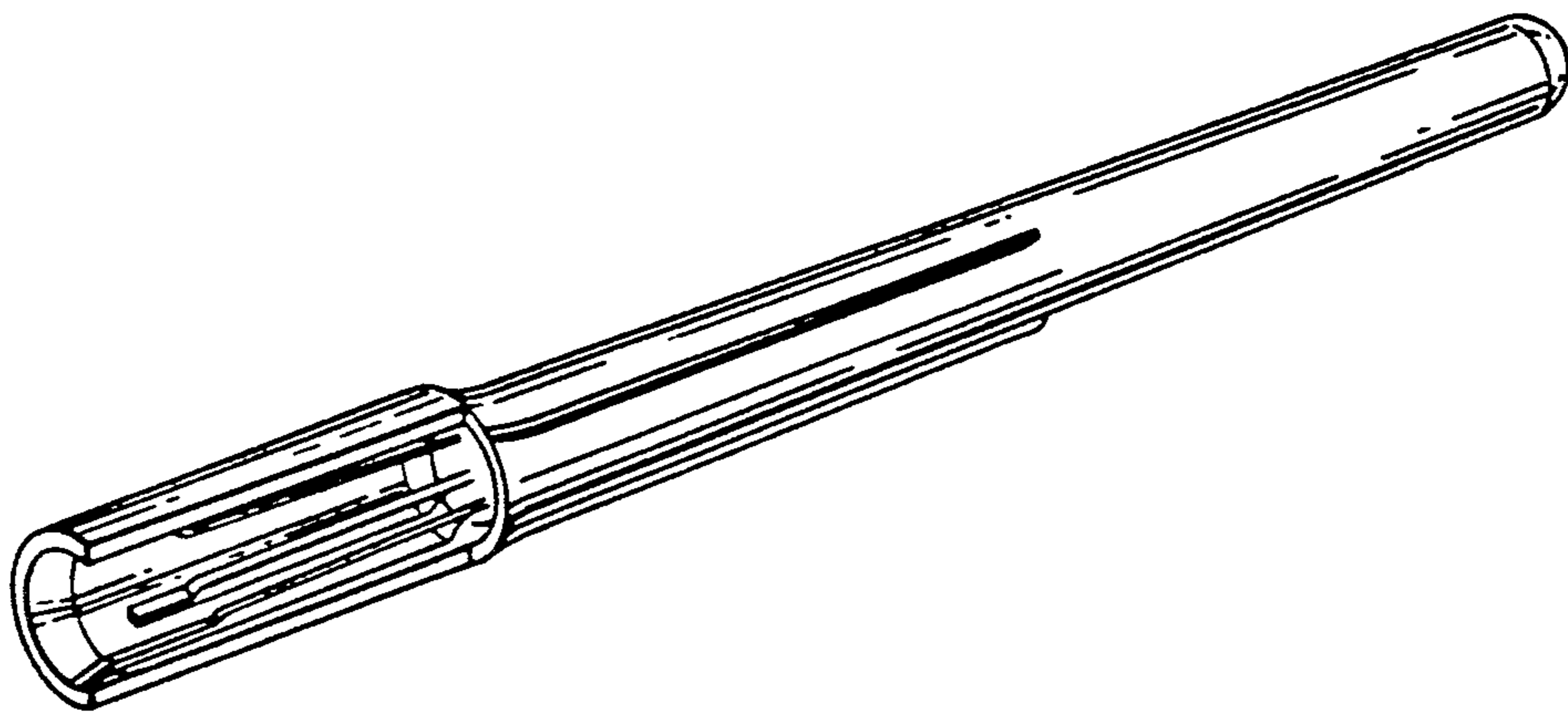


FIG. 1

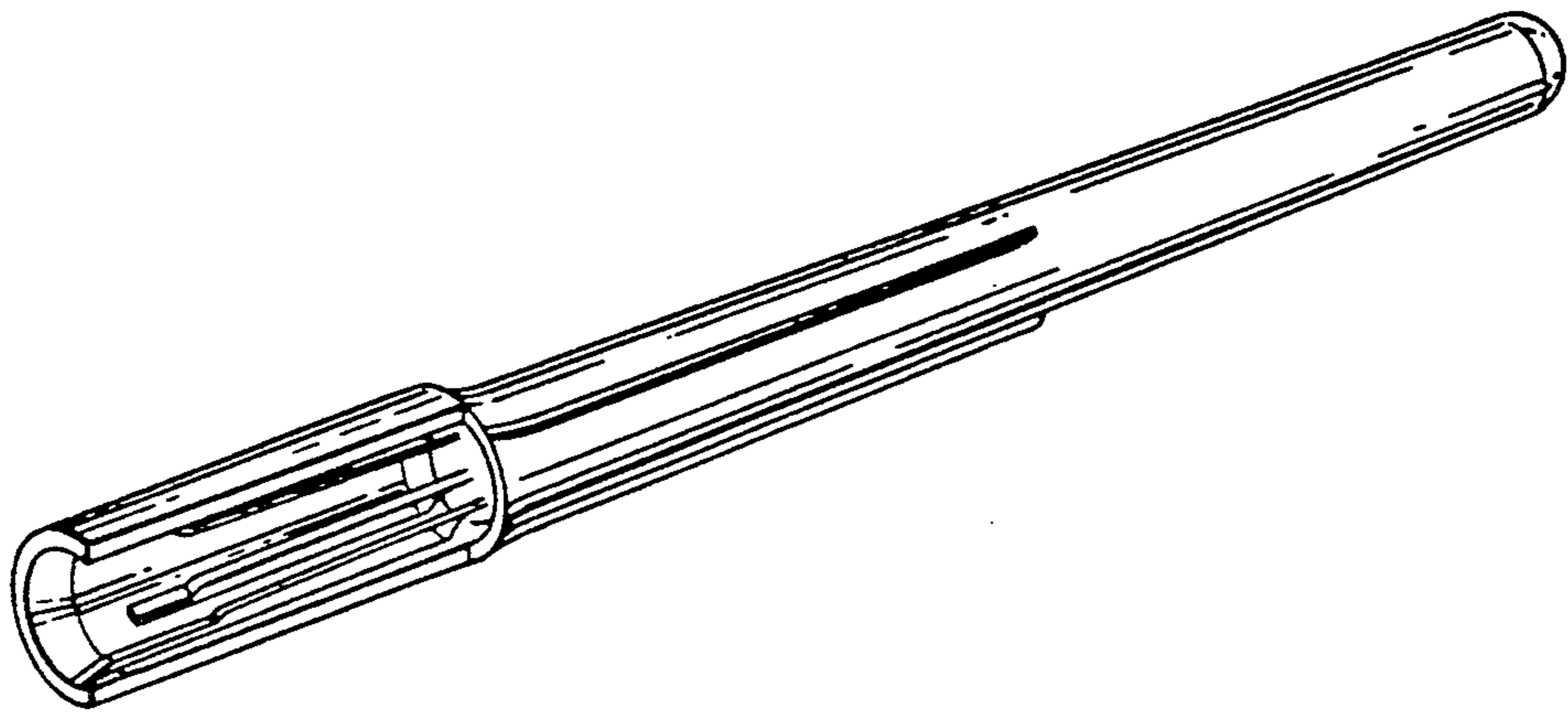


FIG. 2

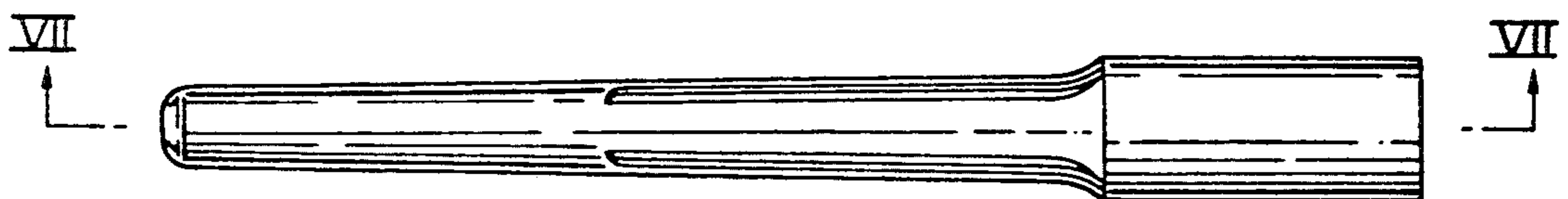


FIG. 3

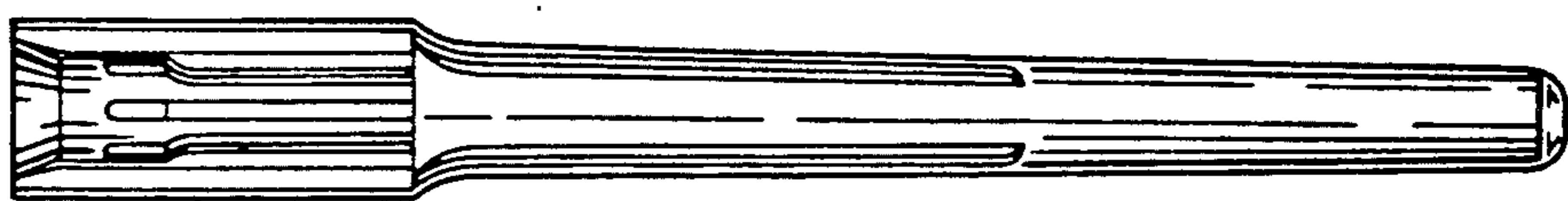


FIG.4

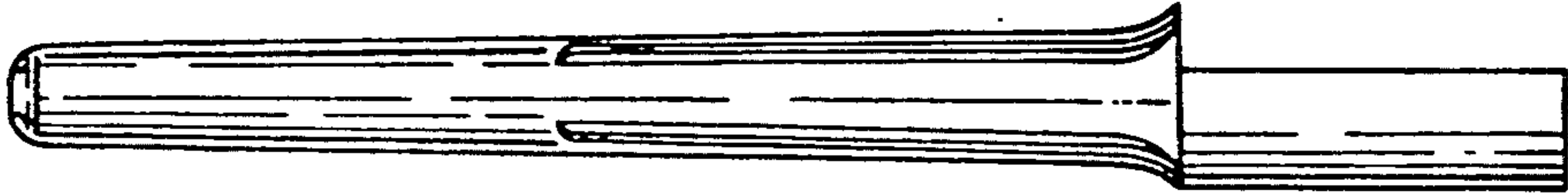


FIG.5



FIG.6

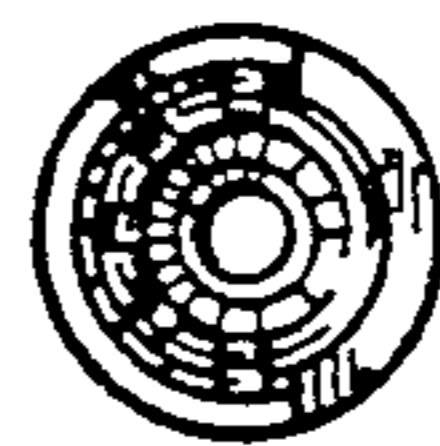


FIG.7

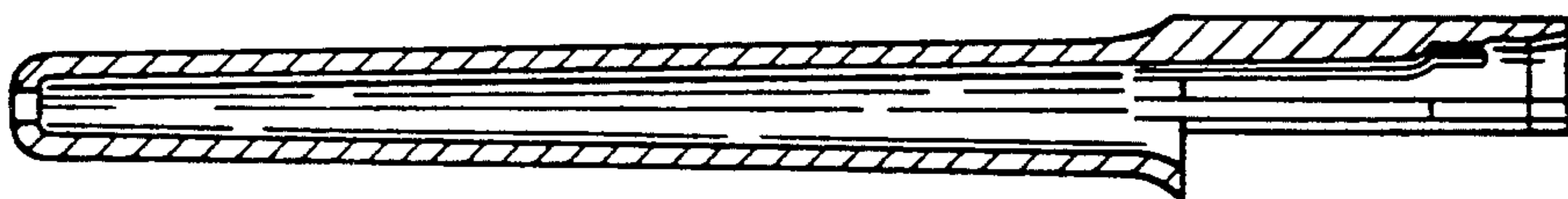


FIG.8

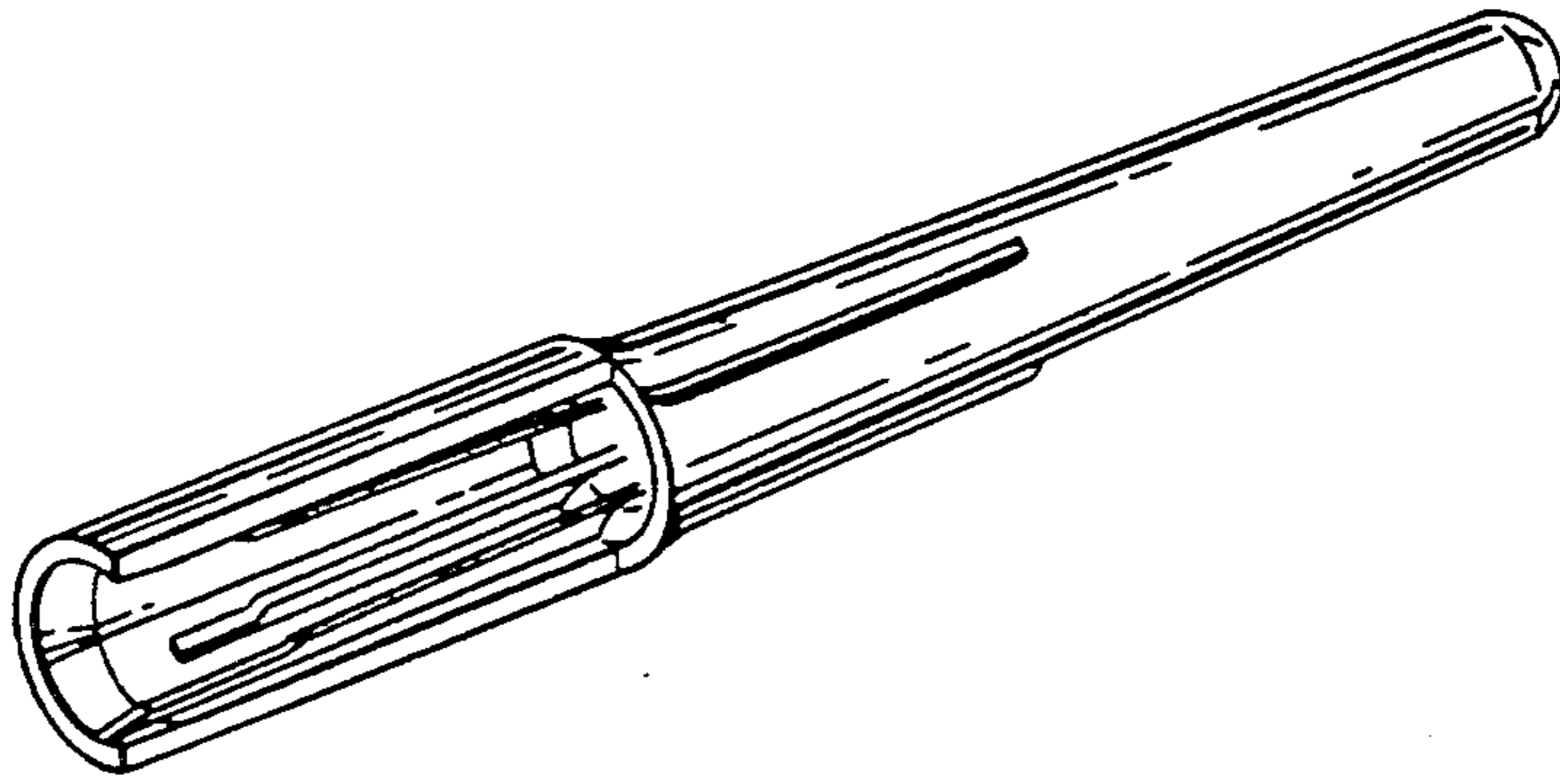


FIG.9

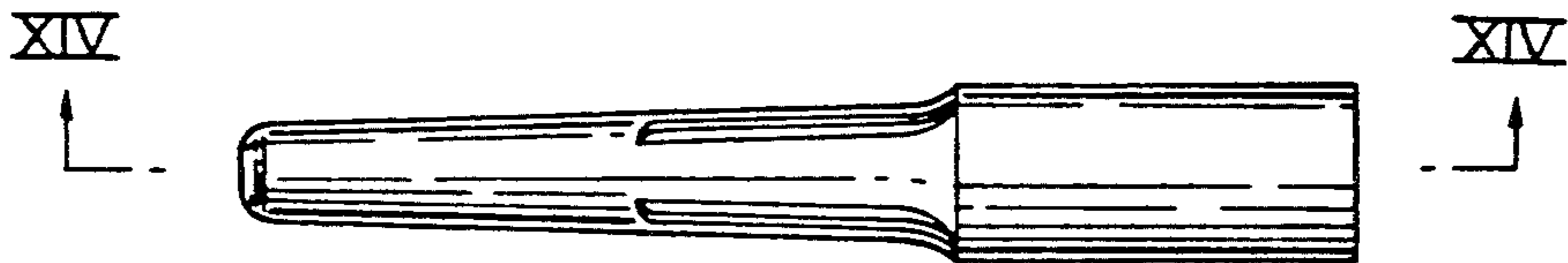


FIG.10

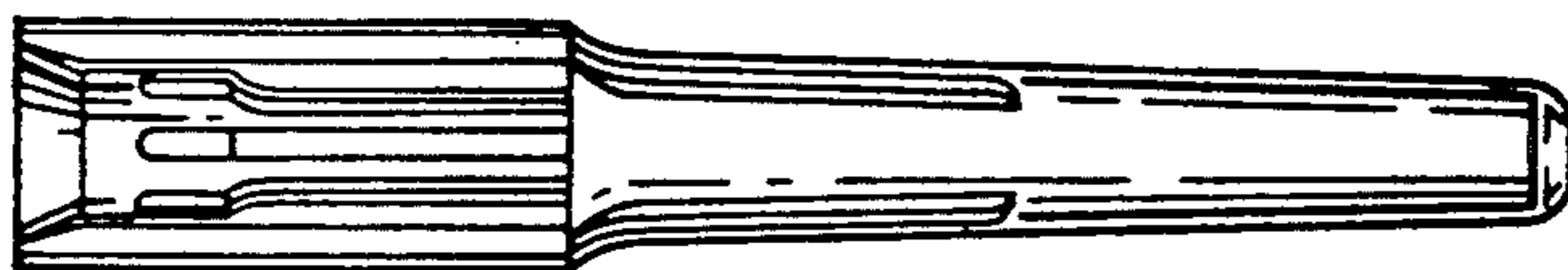


FIG.11

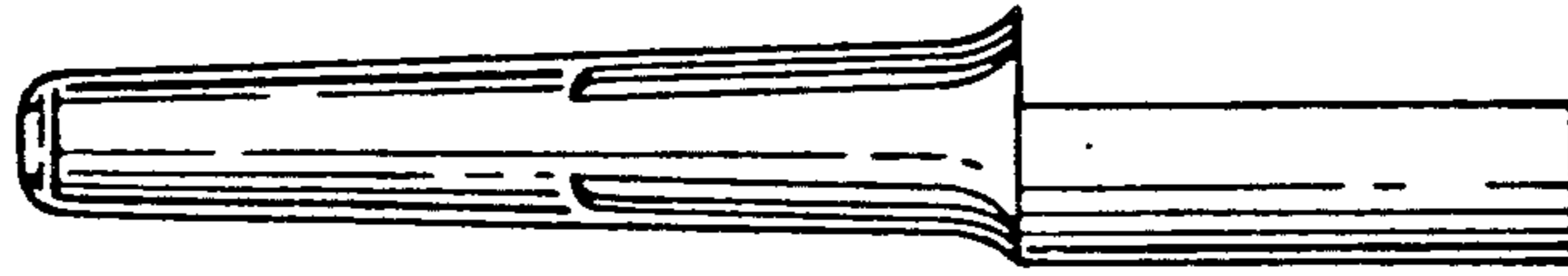


FIG.12



FIG.13



FIG.14

