



US00D327326S

United States Patent [19]

[11] Patent Number: **Des. 327,326**

Elie

[45] Date of Patent: **** Jun. 23, 1992**

[54] **LENS CENTERING INSTRUMENT**

[75] Inventor: **Francois Elie, Paris, France**

[73] Assignee: **Essilor International (Compagnie General d'Optique), Creteil, France**

[**] Term: **14 Years**

[21] Appl. No.: **370,565**

[22] Filed: **Jun. 23, 1989**

[30] **Foreign Application Priority Data**

Jan. 13, 1989 [FR] France 89 0244

[52] U.S. Cl. **D24/172; D16/130; D16/227**

[58] Field of Search **D16/221, 225, 222, 227; D24/150, 172; 356/124, 125, 126, 127**

[56] **References Cited**

U.S. PATENT DOCUMENTS

- D. 150.412 8/1948 Gordon D16/225
- D. 246.987 1/1978 Hawkins D24/172
- D. 253.909 1/1980 Armbruster D24/172

- 2,640,392 6/1953 Freeman 356/126
- 2,683,392 7/1954 Ellis 356/125
- 3,002,285 10/1961 Wright 356/127
- 4,798,459 1/1989 Toncour 356/127

OTHER PUBLICATIONS

American Optical Catalog, Jul. 1981, p. 1.

Primary Examiner—Bernard Ansher

Assistant Examiner—Adir Aronovich

Attorney, Agent, or Firm—Young & Thompson

[57] **CLAIM**

The ornamental design for a lens centering instrument, as shown.

DESCRIPTION

FIG. 1 is a right side elevational view showing my new design;

FIG. 2 is a front elevational view thereof;

FIG. 3 is a rear elevational view thereof;

FIG. 4 is a left side elevational view thereof;

FIG. 5 is a top plan view thereof;

FIG. 6 is a bottom plan view thereof; and,

FIG. 7 is a front and side perspective view thereof.

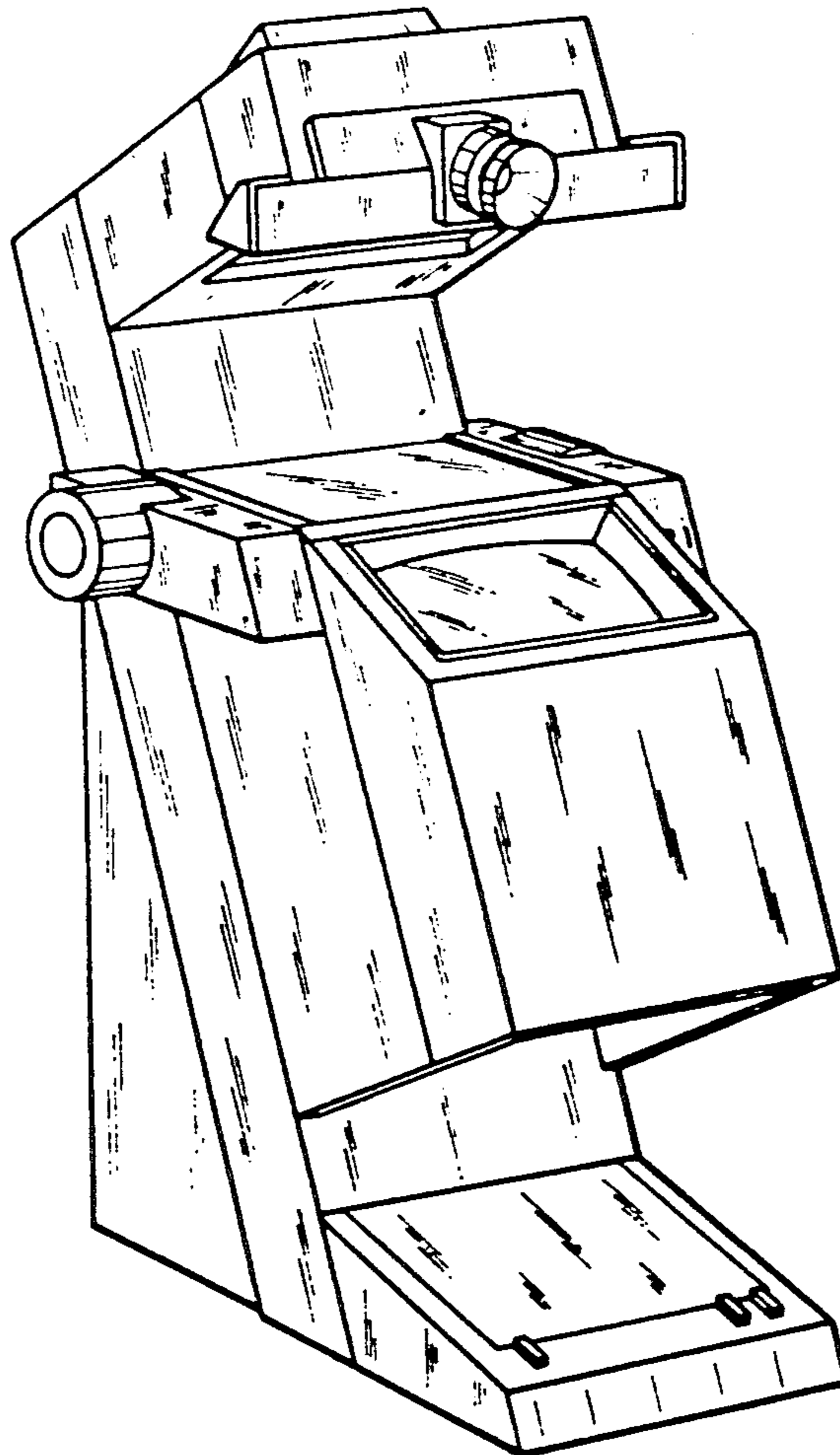


FIG. 2

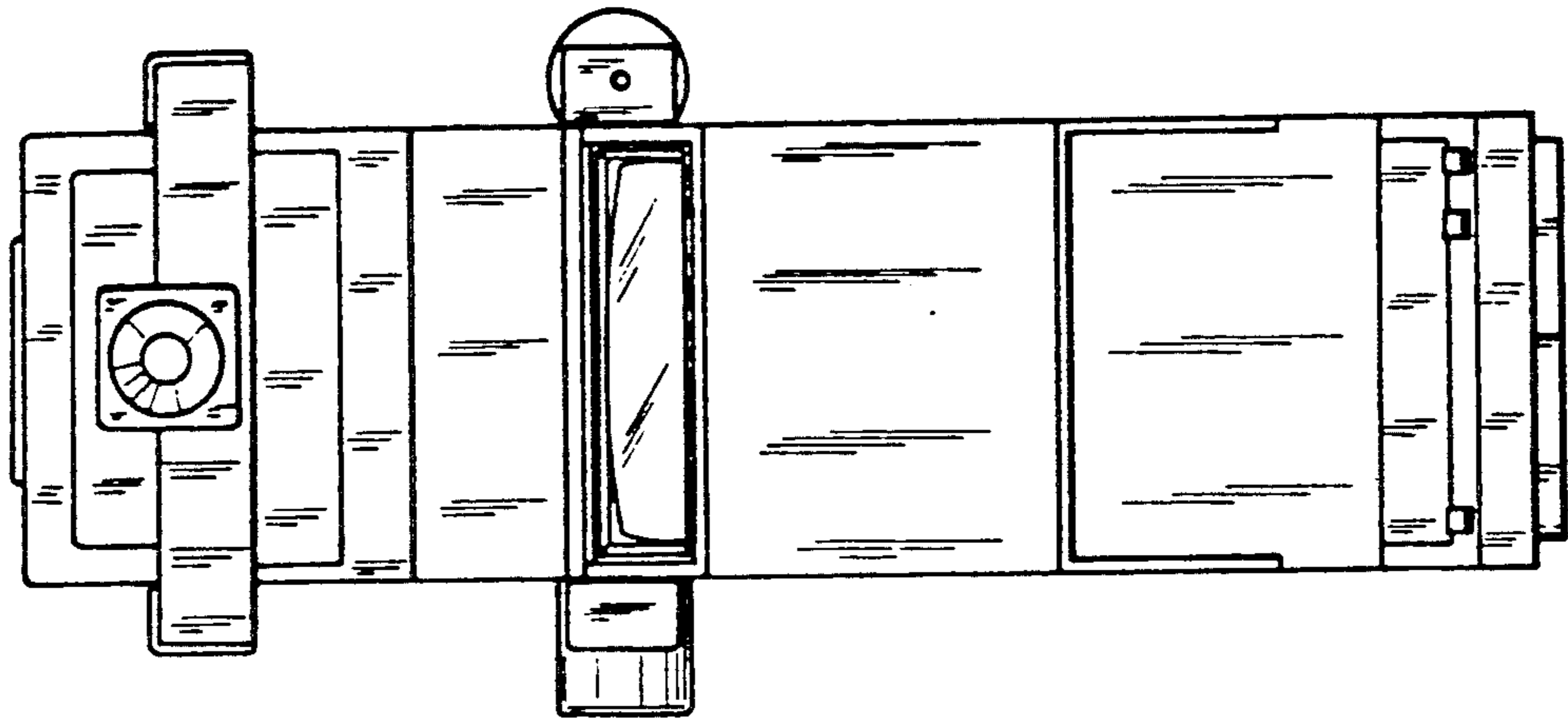


FIG. 1

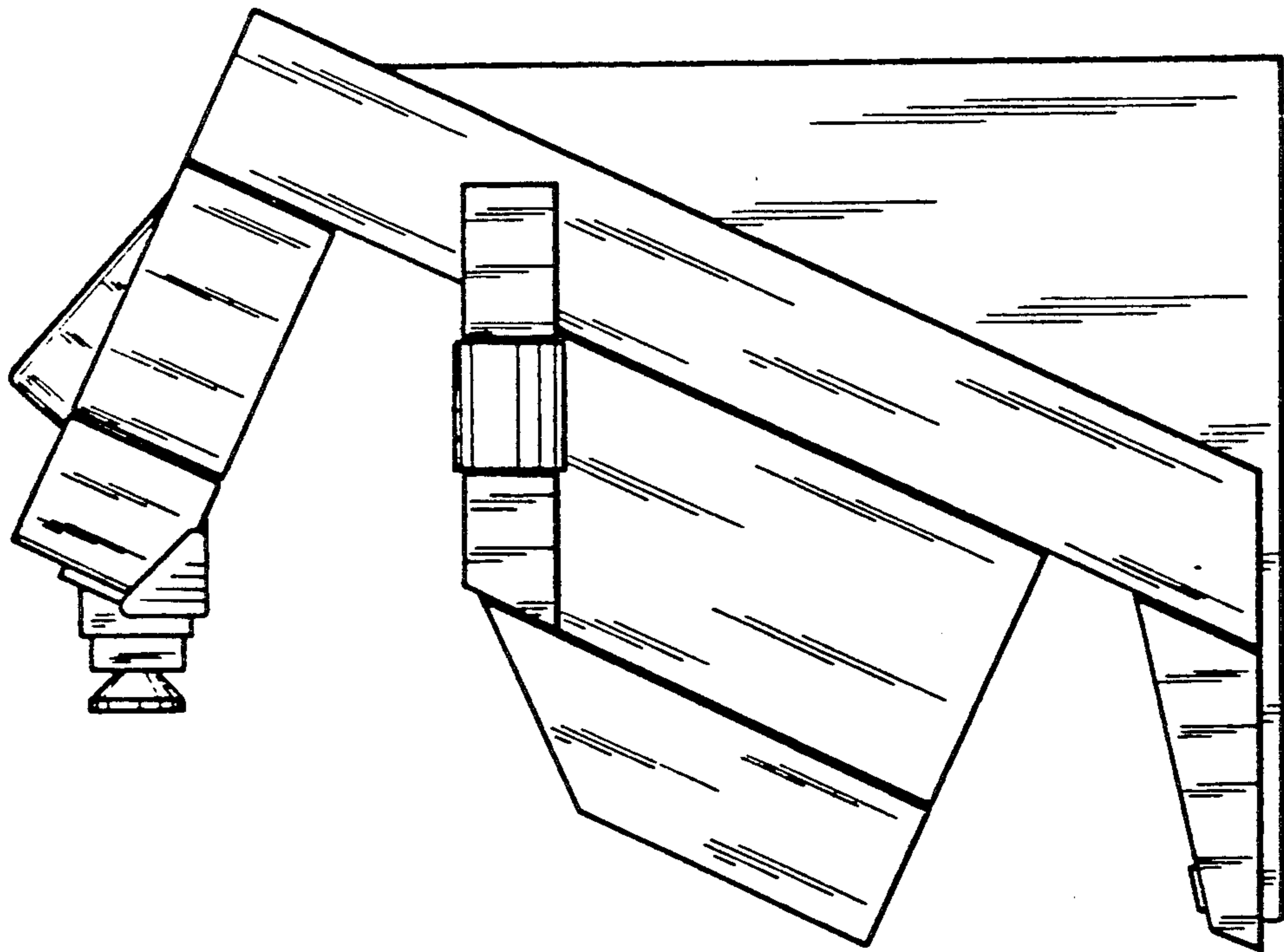


FIG. 4

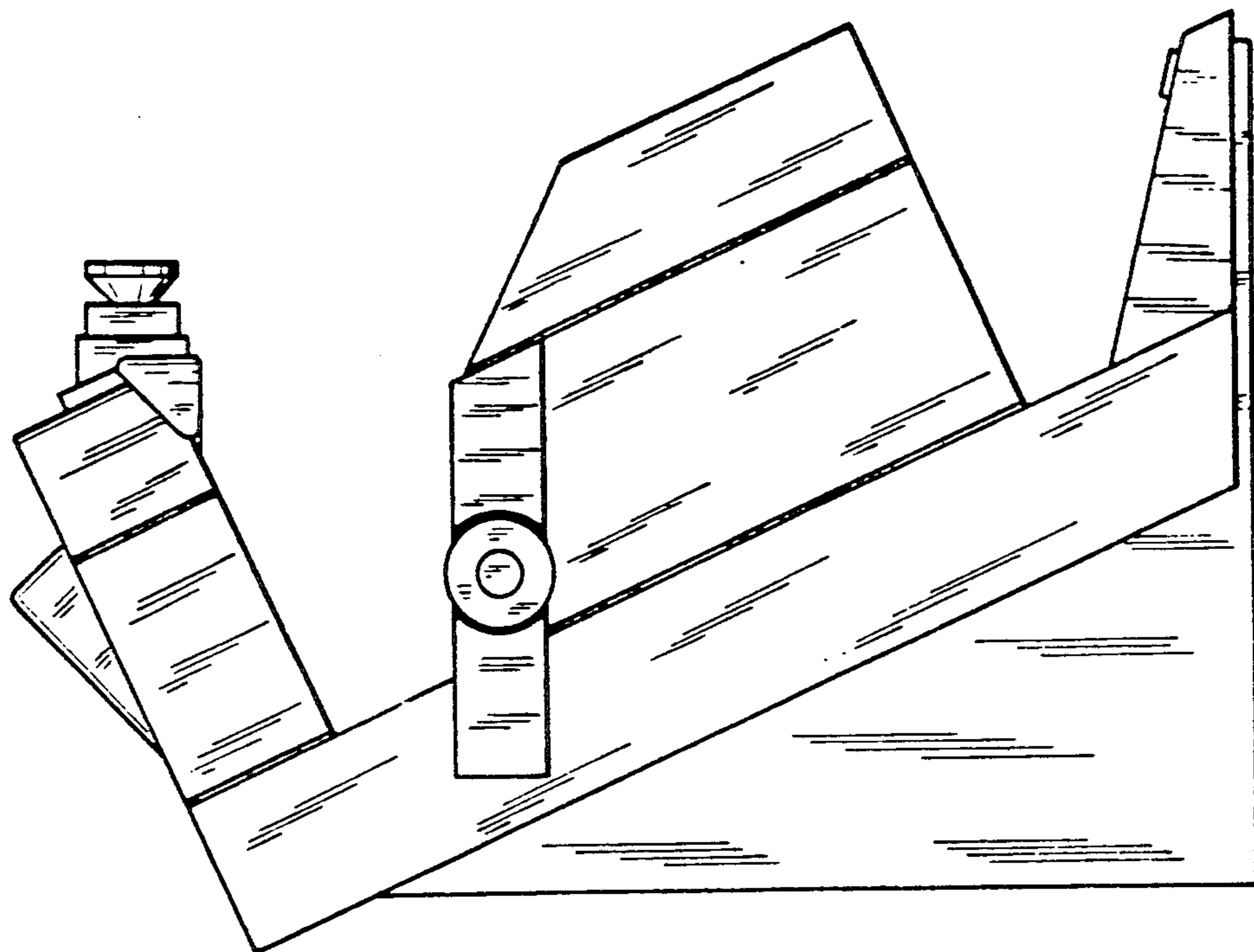


FIG. 3

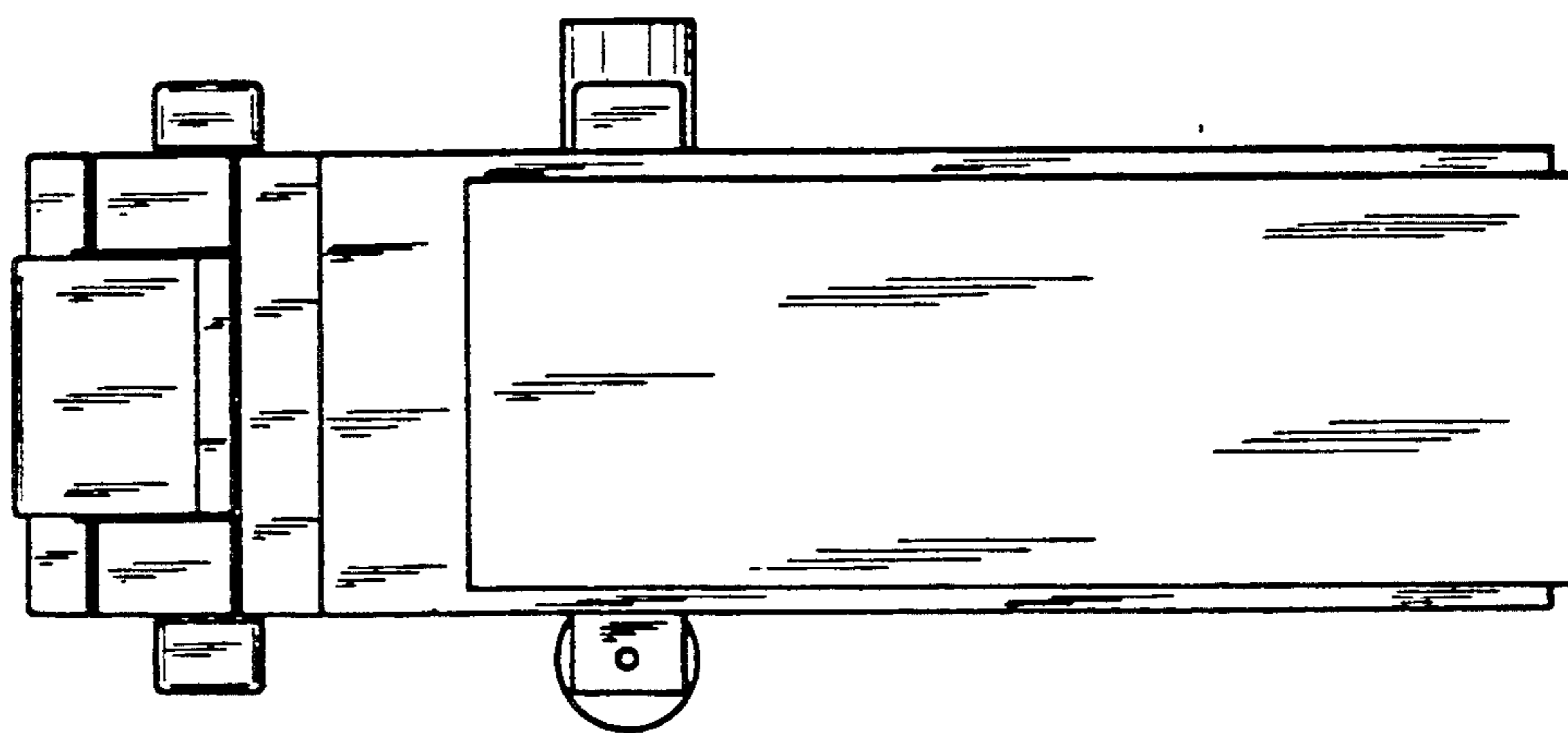


FIG. 6

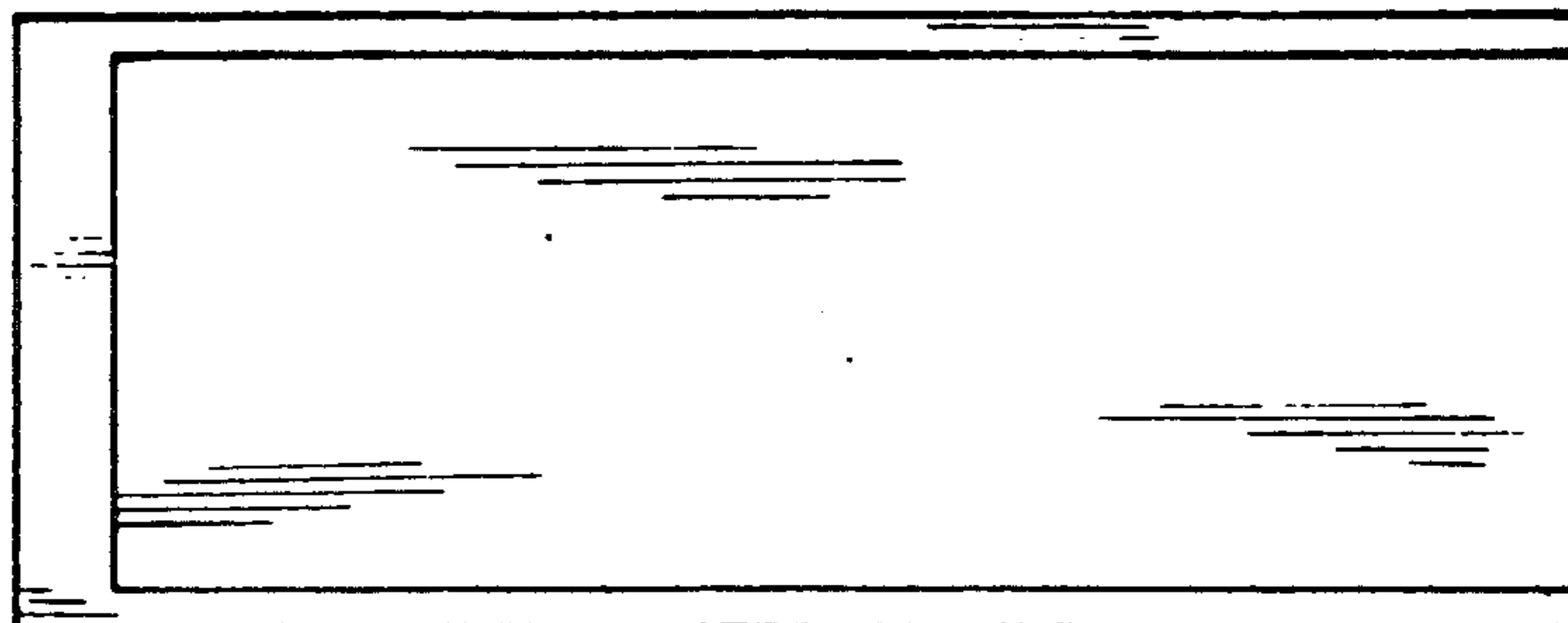
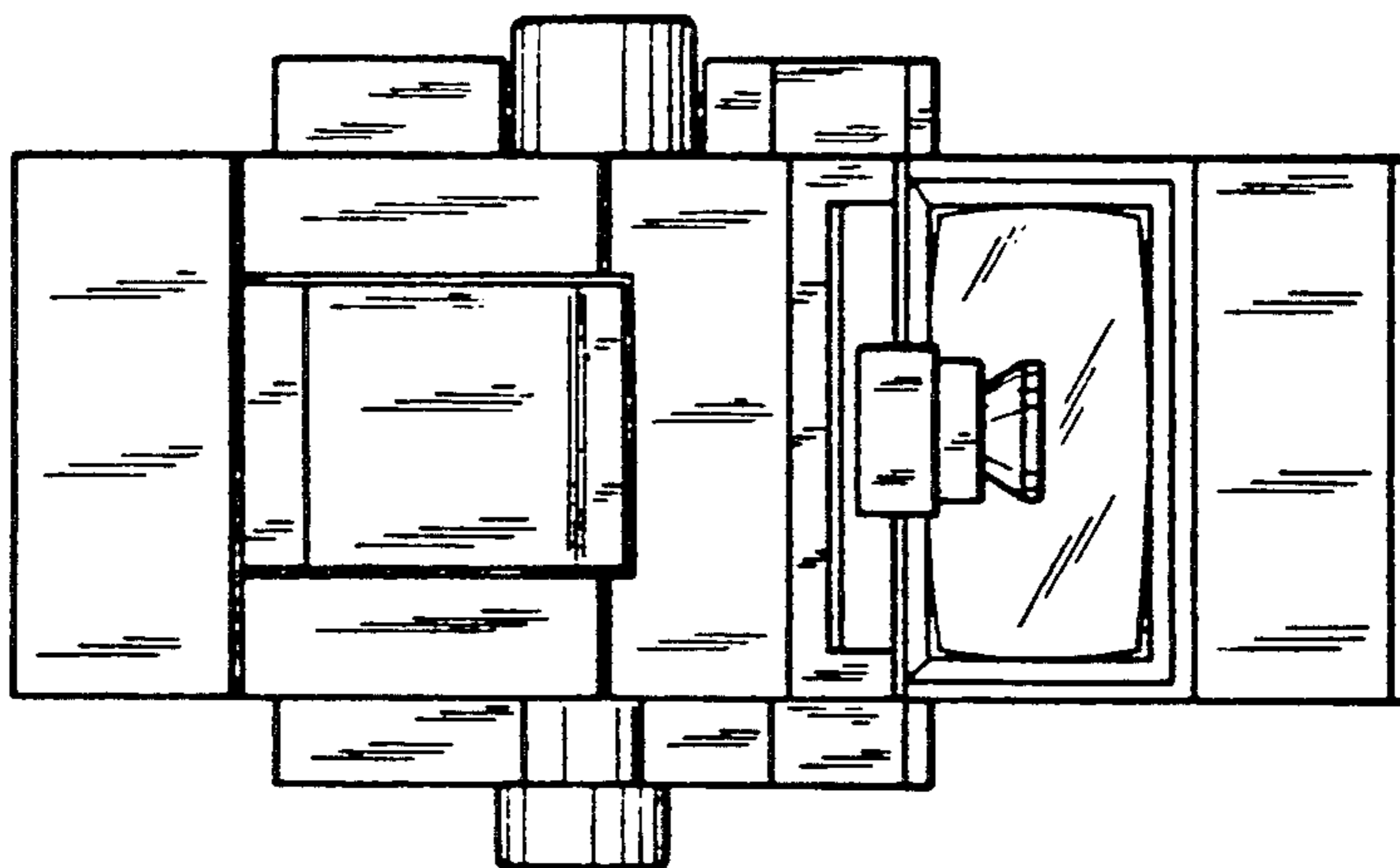


FIG. 5



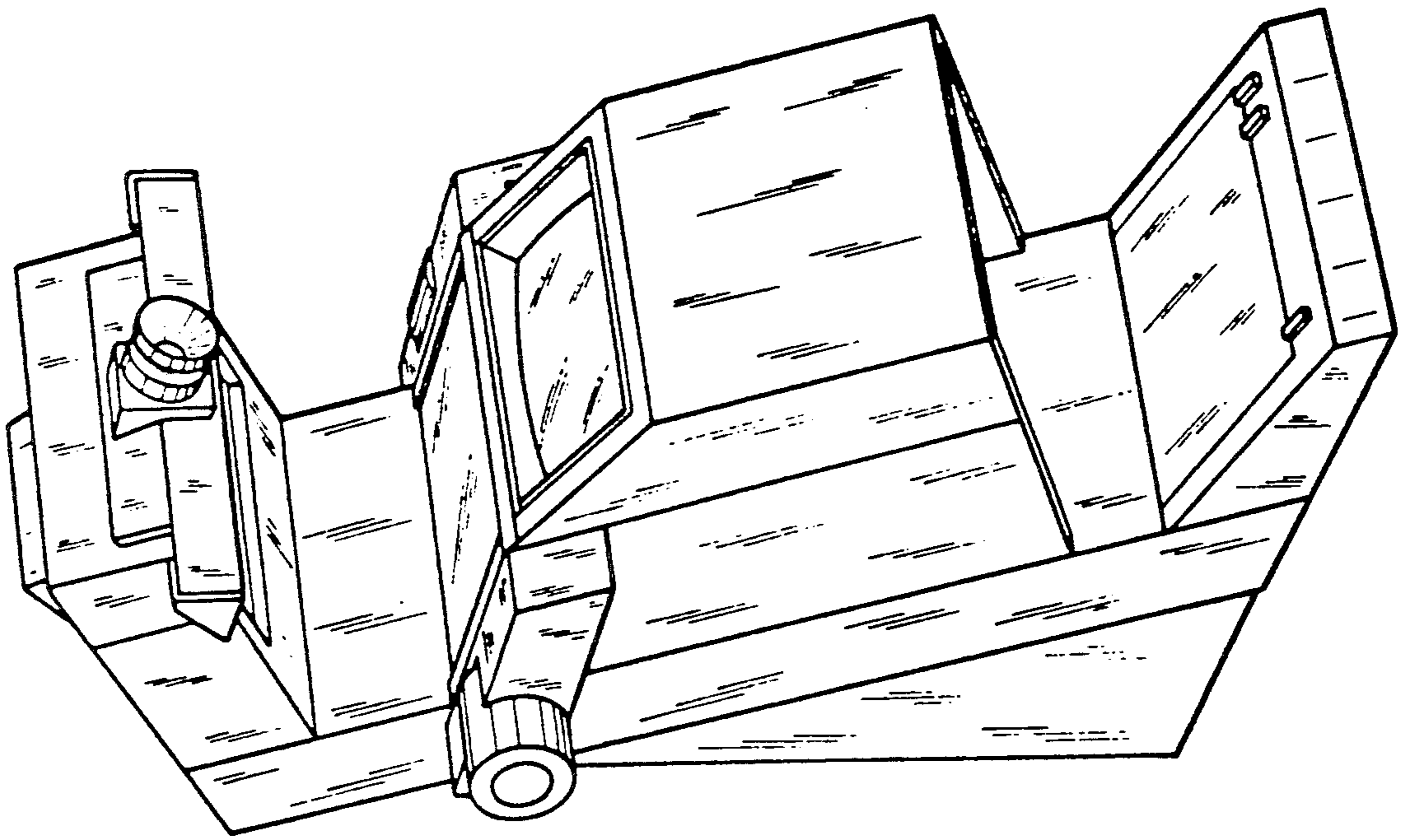


FIG. 7