



US00D327320S

United States Patent [19]

[11] Patent Number: **Des. 327,320**

Bryant

[45] Date of Patent: **** Jun. 23, 1992**

[54] **COMBINED CATHETER ADAPTER AND RETAINER**

4,674,496 6/1987 Svadjian et al. 604/256 X
4,675,007 6/1987 Terry 604/283

[76] Inventor: **Peter L. Bryant**, 1301 N. Western Ave., Apt. 219, Lake Forest, Ill. 60045

Primary Examiner—Donald P. Walsh
Assistant Examiner—M. N. Pandozzi

[**] Term: **14 Years**

[57] **CLAIM**

[21] Appl. No.: **421,455**

The ornamental design for a combined catheter adapter and retainer, as shown.

[22] Filed: **Oct. 13, 1989**

DESCRIPTION

[52] U.S. Cl. **D24/130**

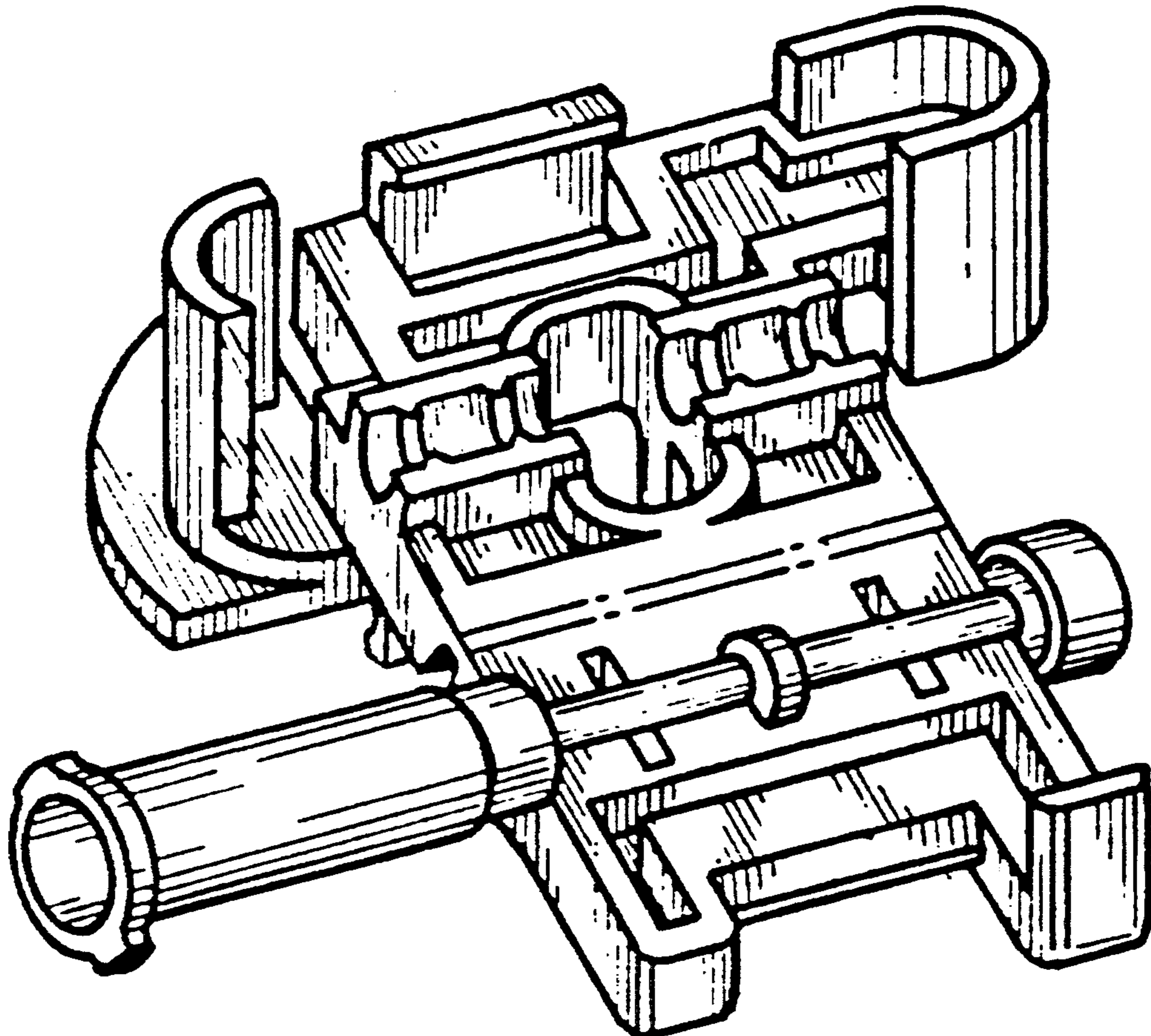
FIG. 1 is a perspective view of combined catheter adapter and retainer showing my new design; FIG. 2 is a right side elevational view thereof; FIG. 3 is a left side elevational view thereof; FIG. 4 is a rear elevational view thereof; FIG. 5 is a front elevational view thereof; FIG. 6 is a top plan view thereof; FIG. 7 is a bottom plan view thereof; FIG. 8 is a perspective view thereof in closed position; FIG. 9 is a right side elevational view thereof; FIG. 10 is a left side elevational view thereof; FIG. 11 is a rear elevational view thereof; FIG. 12 is a front elevational view thereof; FIG. 13 is a top plan view thereof; and, FIG. 14 is a bottom plan view thereof.

[58] Field of Search D24/130; 604/415, 256, 604/283, 243, 240

[56] **References Cited**

U.S. PATENT DOCUMENTS

D. 246.115	10/1977	Citrin	D24/130
D. 247.576	3/1978	Ekberg	D24/130
D. 283.917	5/1986	Moore, Jr.	D24/130
D. 289.435	4/1987	Fischione	D24/130
D. 315.410	3/1991	Aten	D24/130 X
D. 320.456	10/1991	Grossman	D24/130
2,918,063	12/1959	Tucker	D24/130 X
3,840,011	10/1974	Wright	D24/130 X
4,397,442	8/1983	Larkin	D24/129 X



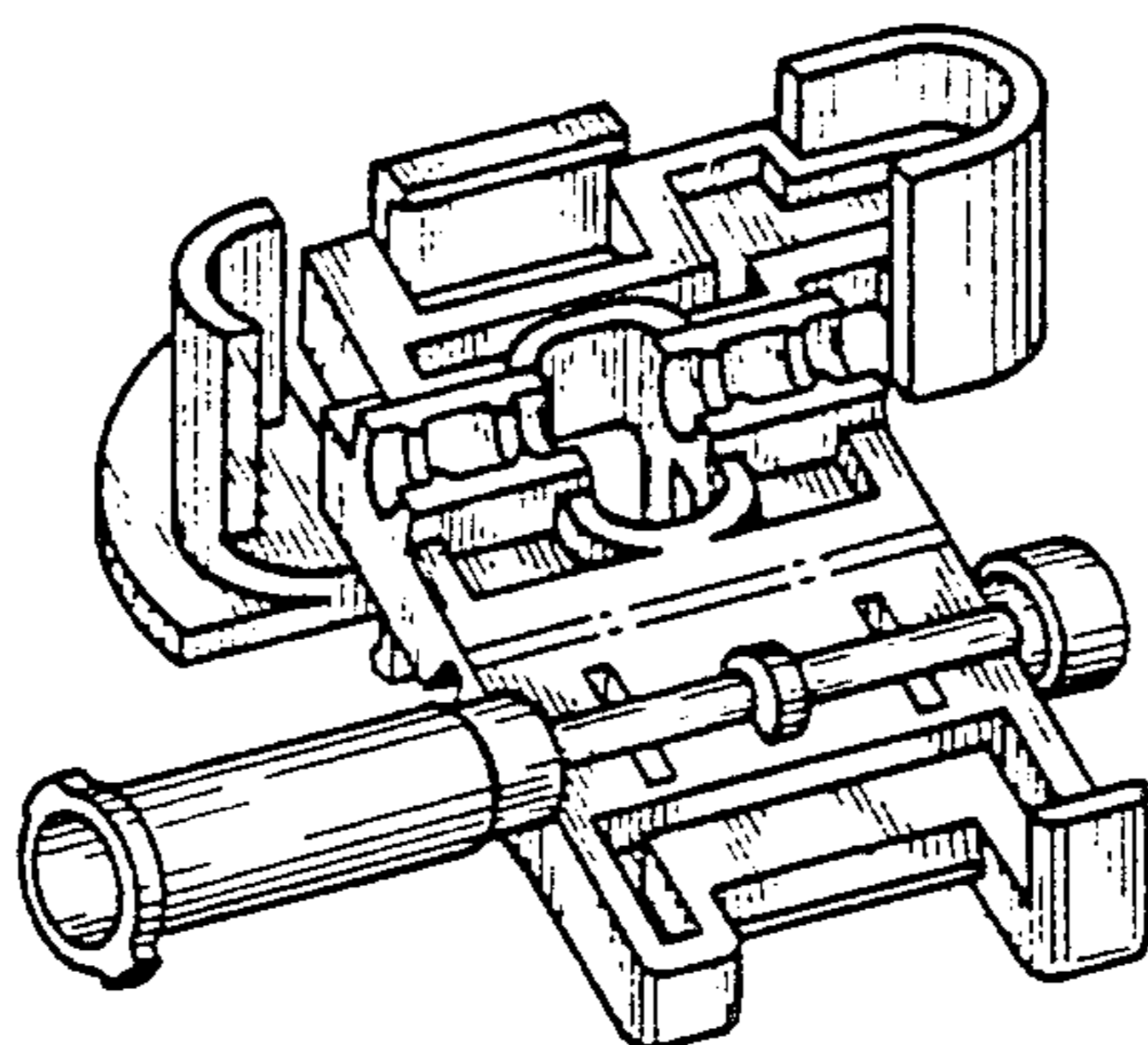


Fig. 1

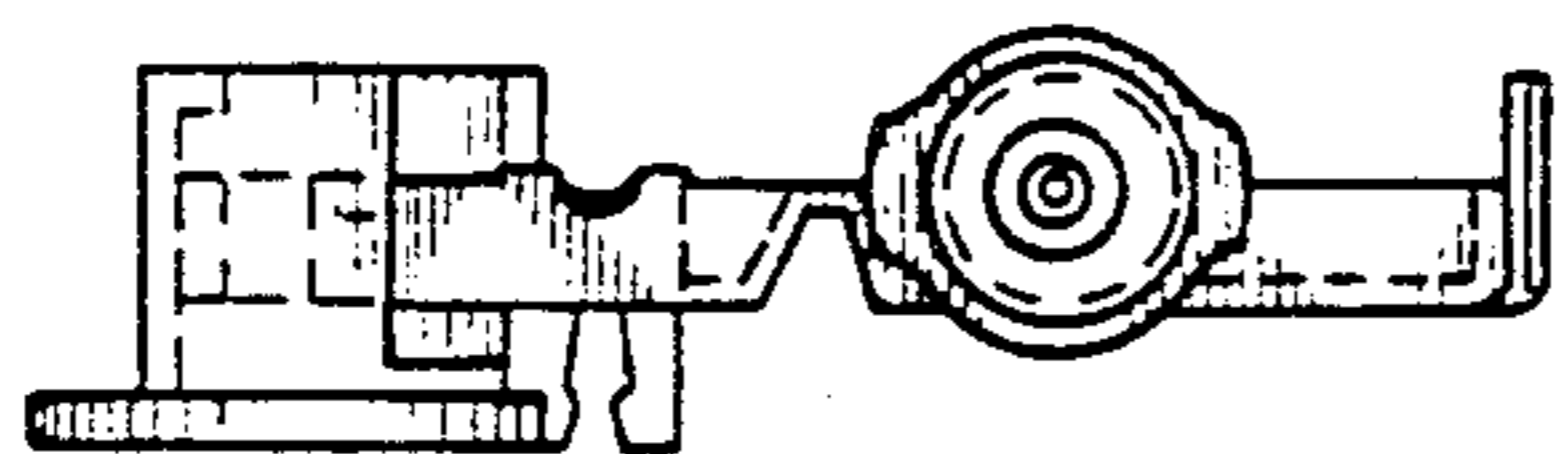


Fig. 2

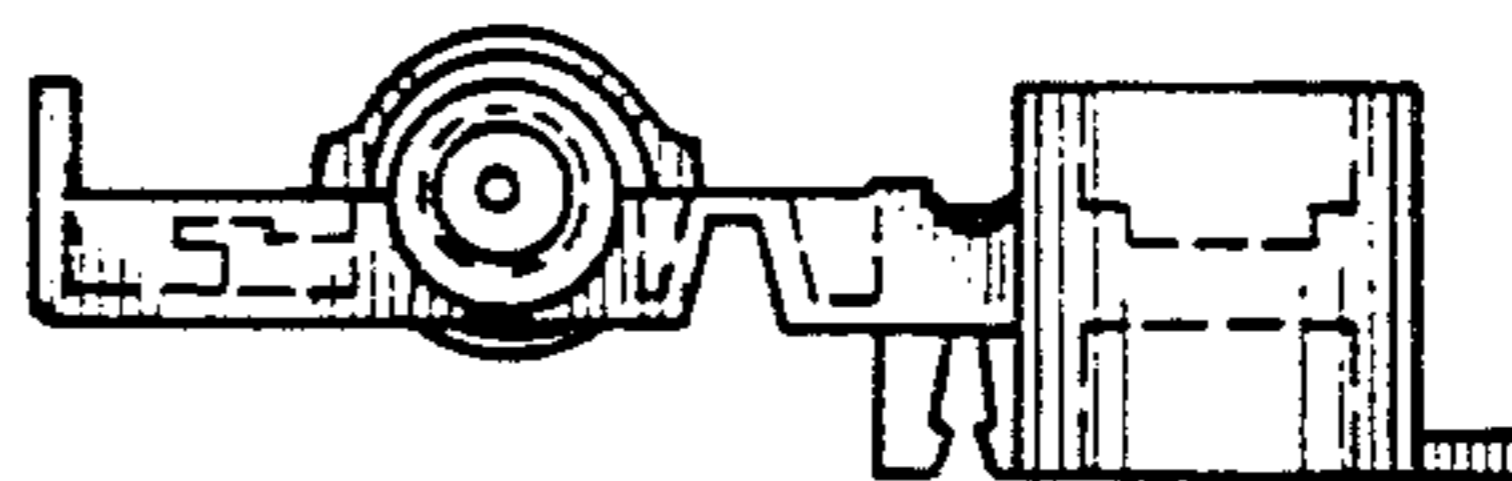


Fig. 3



Fig. 4



Fig. 5

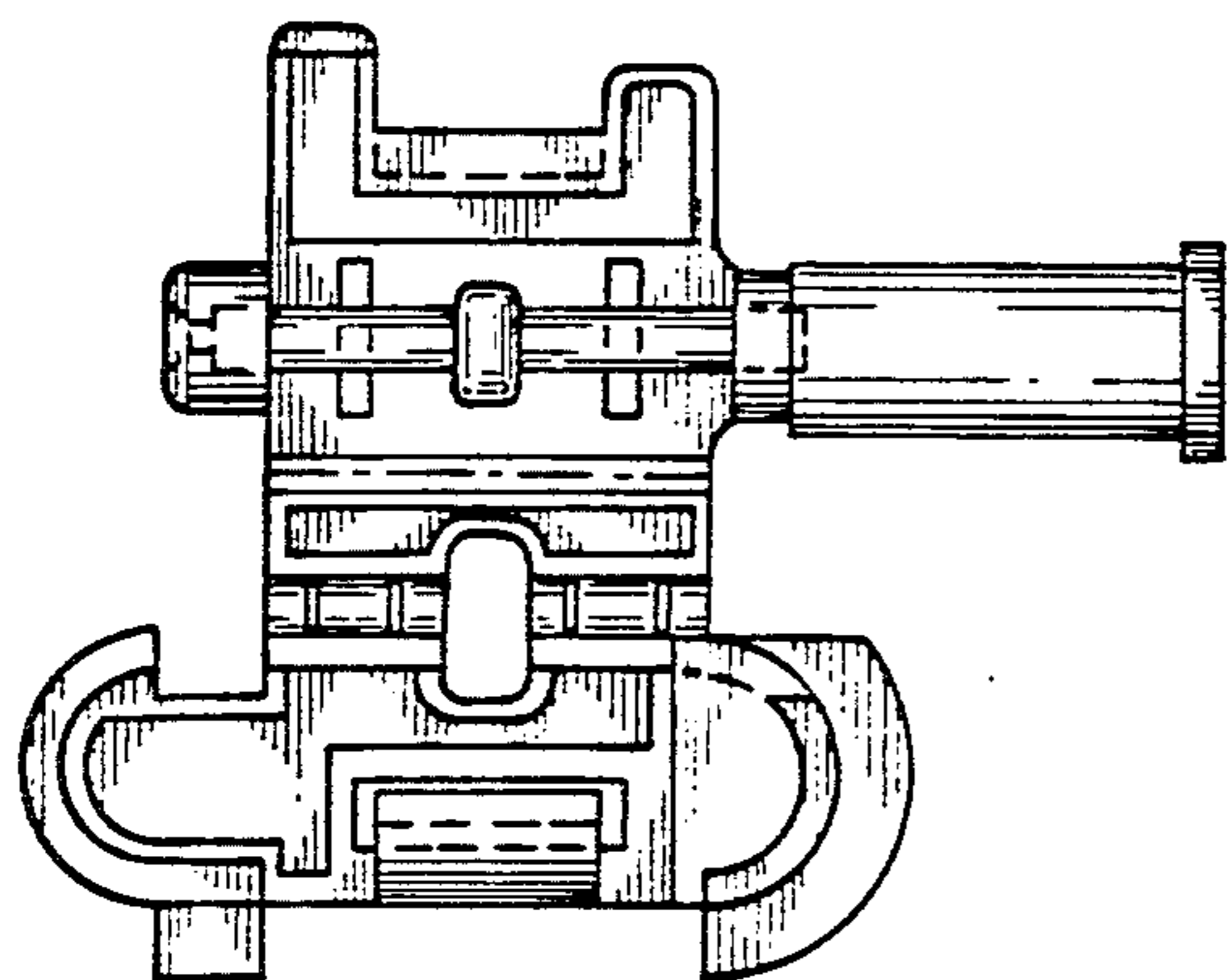


Fig. 6

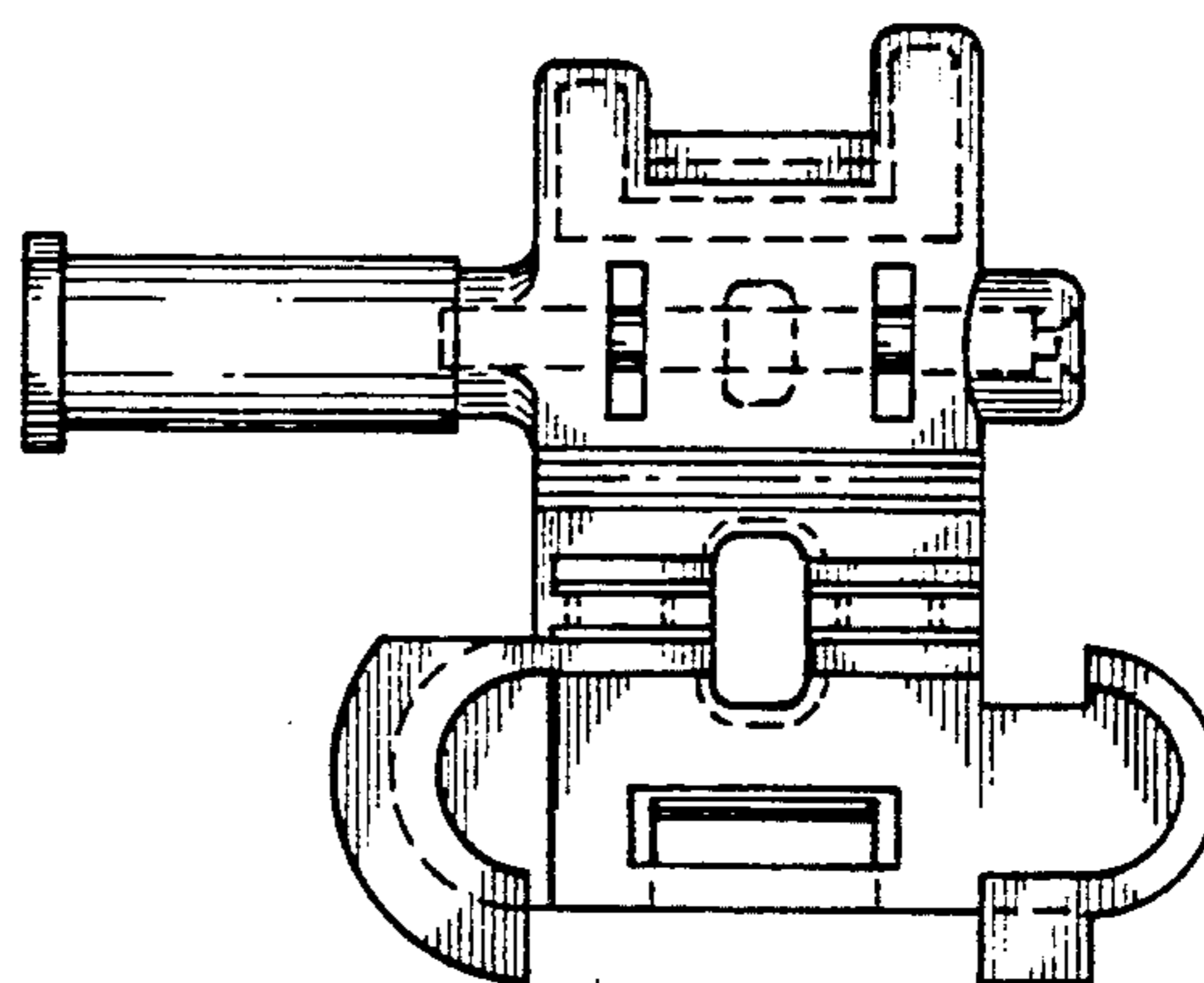


Fig. 7

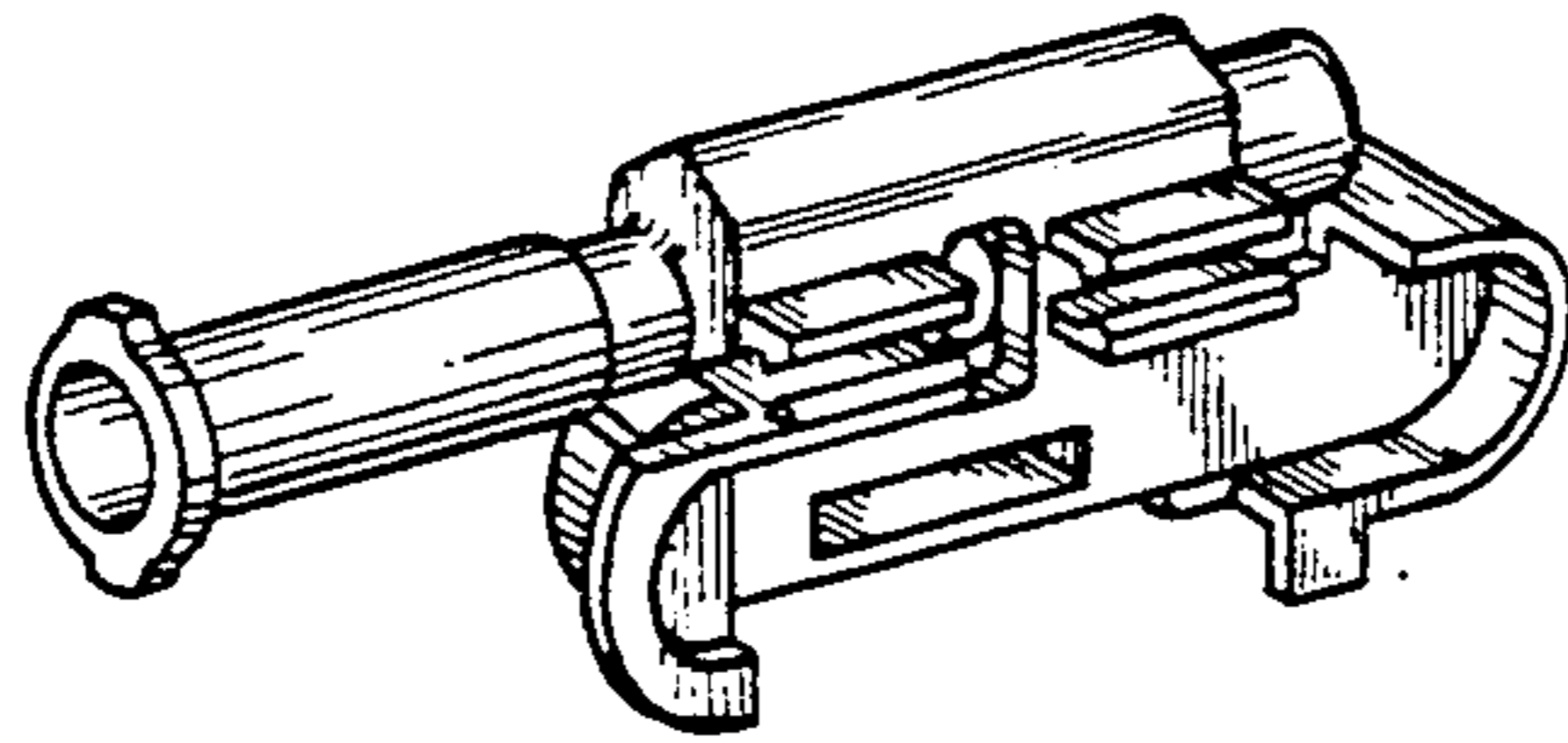


Fig. 8

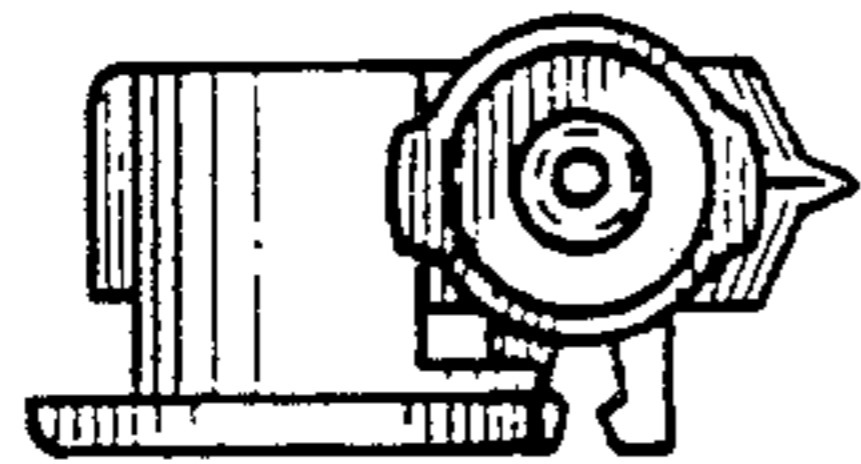


Fig. 9

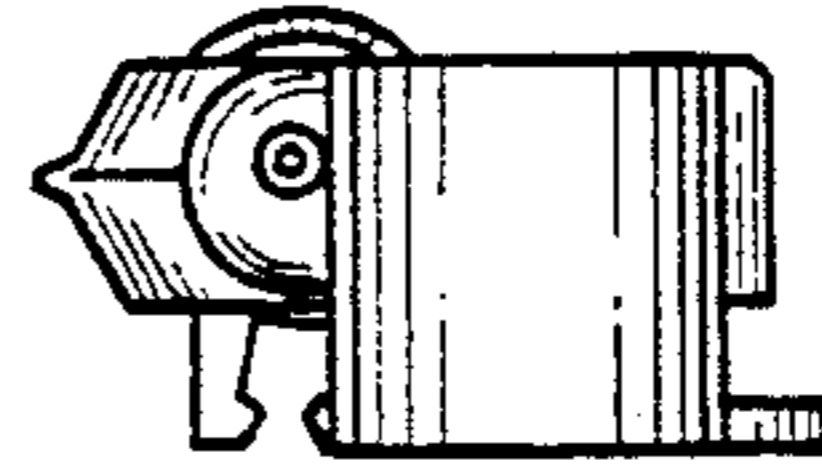


Fig. 10

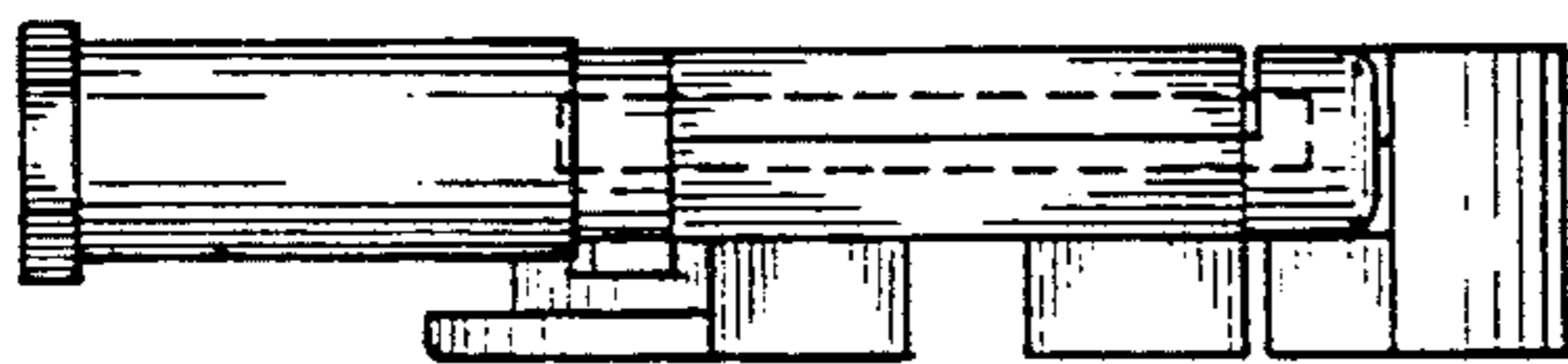


Fig. 11

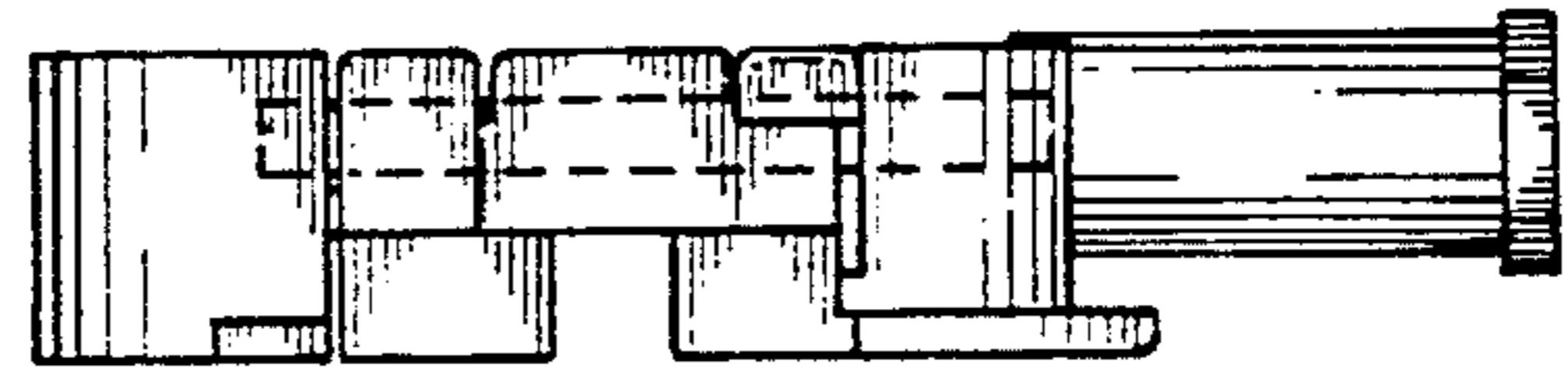


Fig. 12

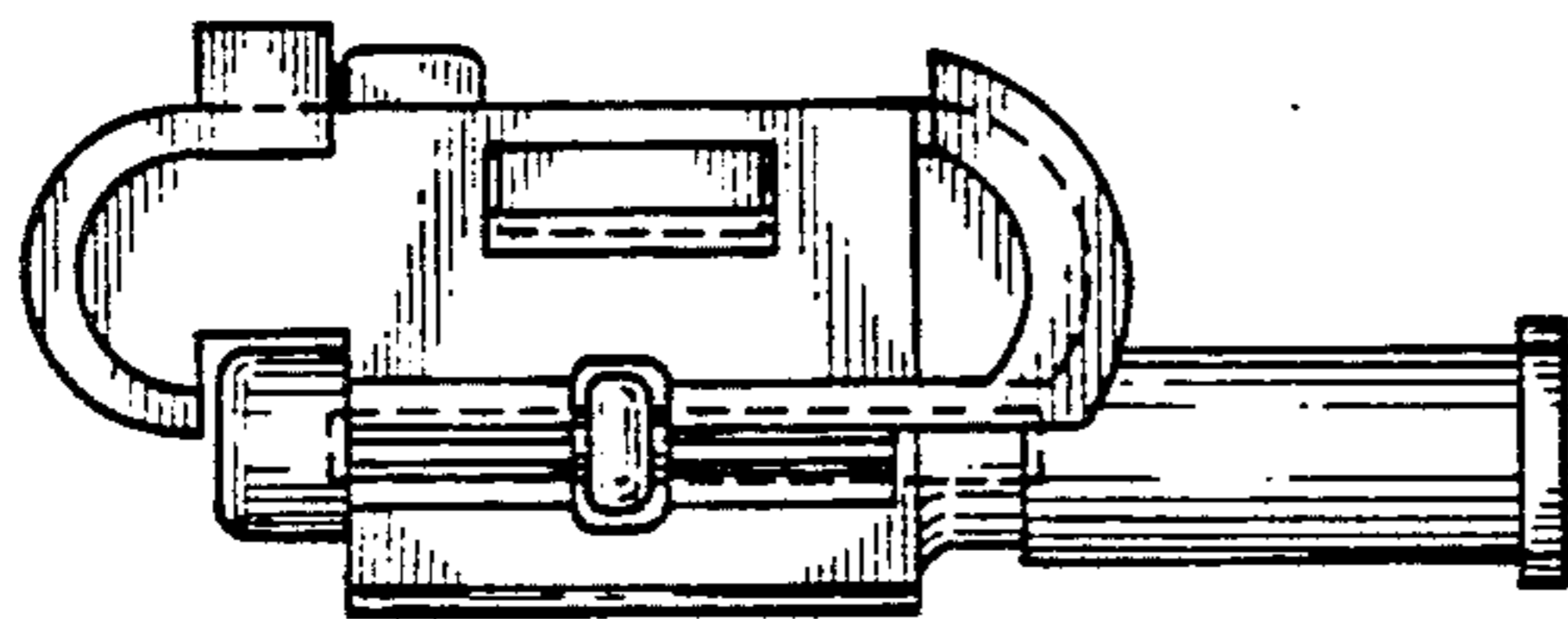


Fig. 13

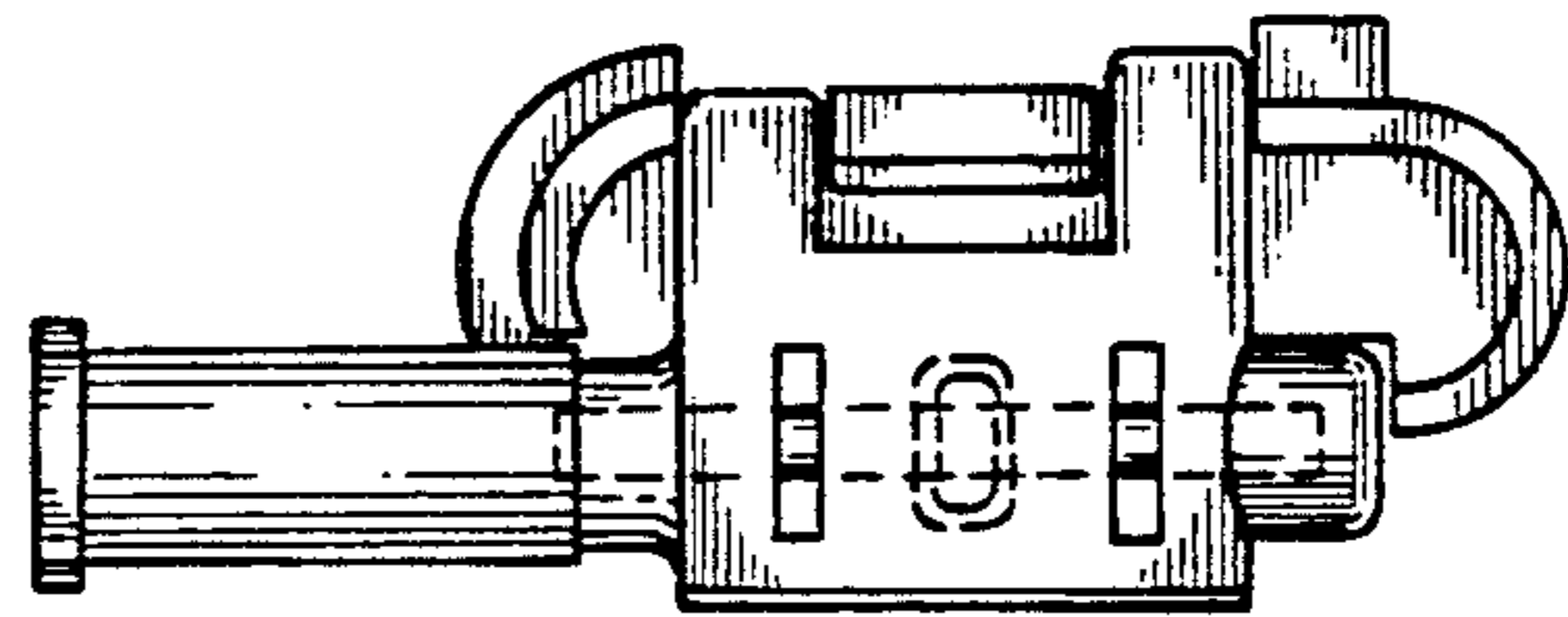


Fig. 14