



US00D327316S

# United States Patent [19]

Yoshidomi et al.

[11] Patent Number: **Des. 327,316**

[45] Date of Patent: **\*\* Jun. 23, 1992**

## [54] VORTEX BLOWER

[75] Inventors: **Toshiharu Yoshidomi, Funabashi; Takeshi Abe, Tokyo; Eiichi Ito, Narashino; Masayuki Fujio, Sakura; Kazuo Kobayashi, Chiba; Kengo Hasegawa, Sakura; Yukio Chihara, Chiba, all of Japan**

[73] Assignee: **Hitachi, Ltd., Tokyo, Japan**

[\*\*] Term: **14 Years**

[21] Appl. No.: **687,535**

[22] Filed: **Apr. 19, 1991**

### [30] Foreign Application Priority Data

Oct. 19, 1990 [JP] Japan ..... 2-34860  
[52] U.S. Cl. .... **D23/383**  
[58] Field of Search ..... D23/383, 370; 415/206

### [56] References Cited

#### U.S. PATENT DOCUMENTS

3,511,578 5/1970 Horst ..... D23/383

## OTHER PUBLICATIONS

American Fan Co. Catalog, p. 3, Blowers A and B, top left and right side of page, p. 5, Blower C, lower left side of page.  
Blower C, lower left side of page.  
New York Blower Co. catalog, Blower I, lower middle of page.

*Primary Examiner*—Wallace R. Burke  
*Assistant Examiner*—Lisa Lichtenstein  
*Attorney, Agent, or Firm*—Antonelli, Terry, Stout & Kraus

## [57] CLAIM

The ornamental design for a vortex blower, as shown.

## DESCRIPTION

FIG. 1 is a front, top and right side perspective view of a vortex blower showing our new design;  
FIG. 2 is a front elevational view thereof;  
FIG. 3 is a right side elevational view thereof;  
FIG. 4 is a top plan view thereof;  
FIG. 5 is a left side elevational view thereof;  
FIG. 6 is a rear elevational view thereof; and,  
FIG. 7 is a bottom plan view thereof.

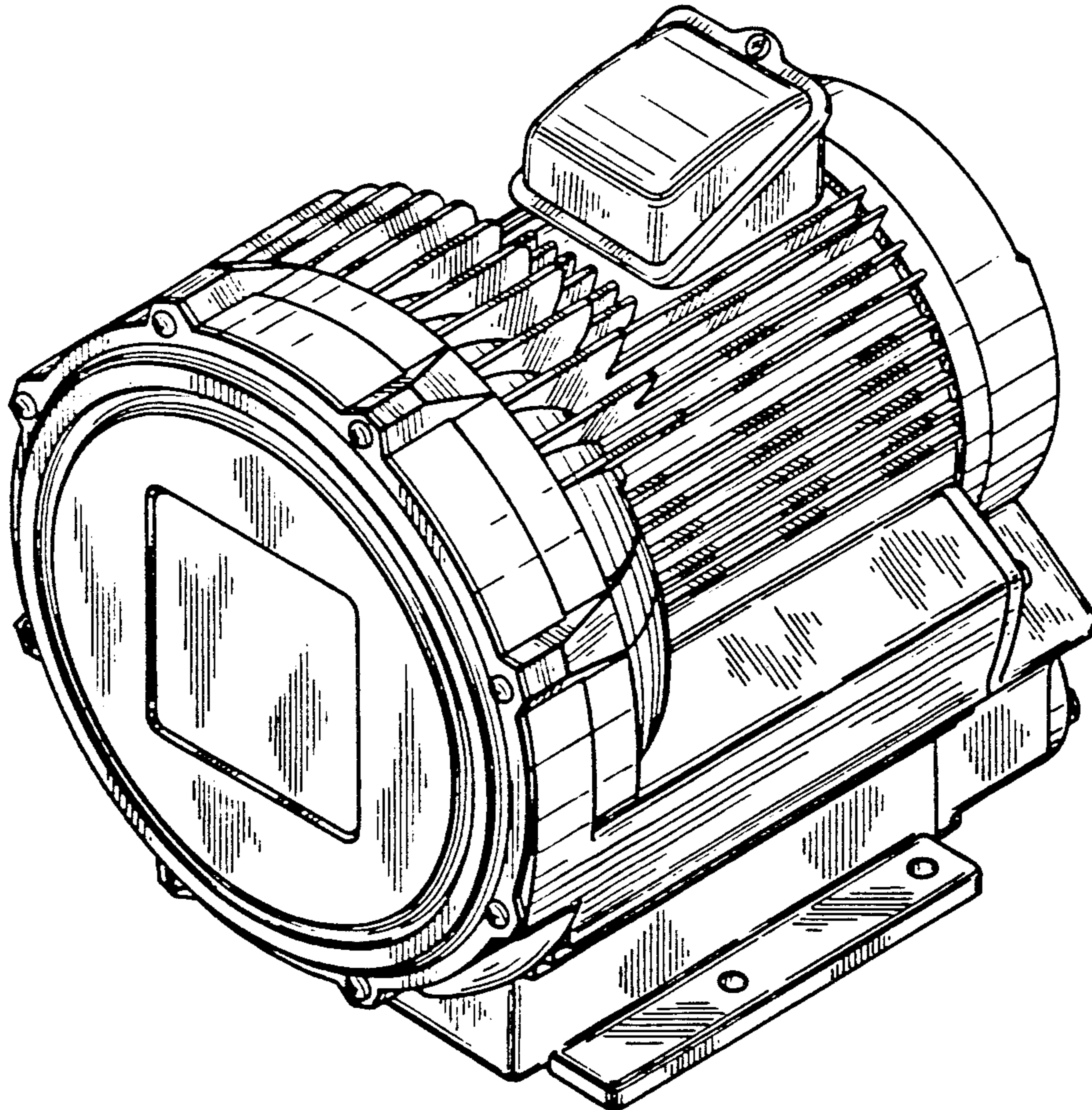




FIG. 1

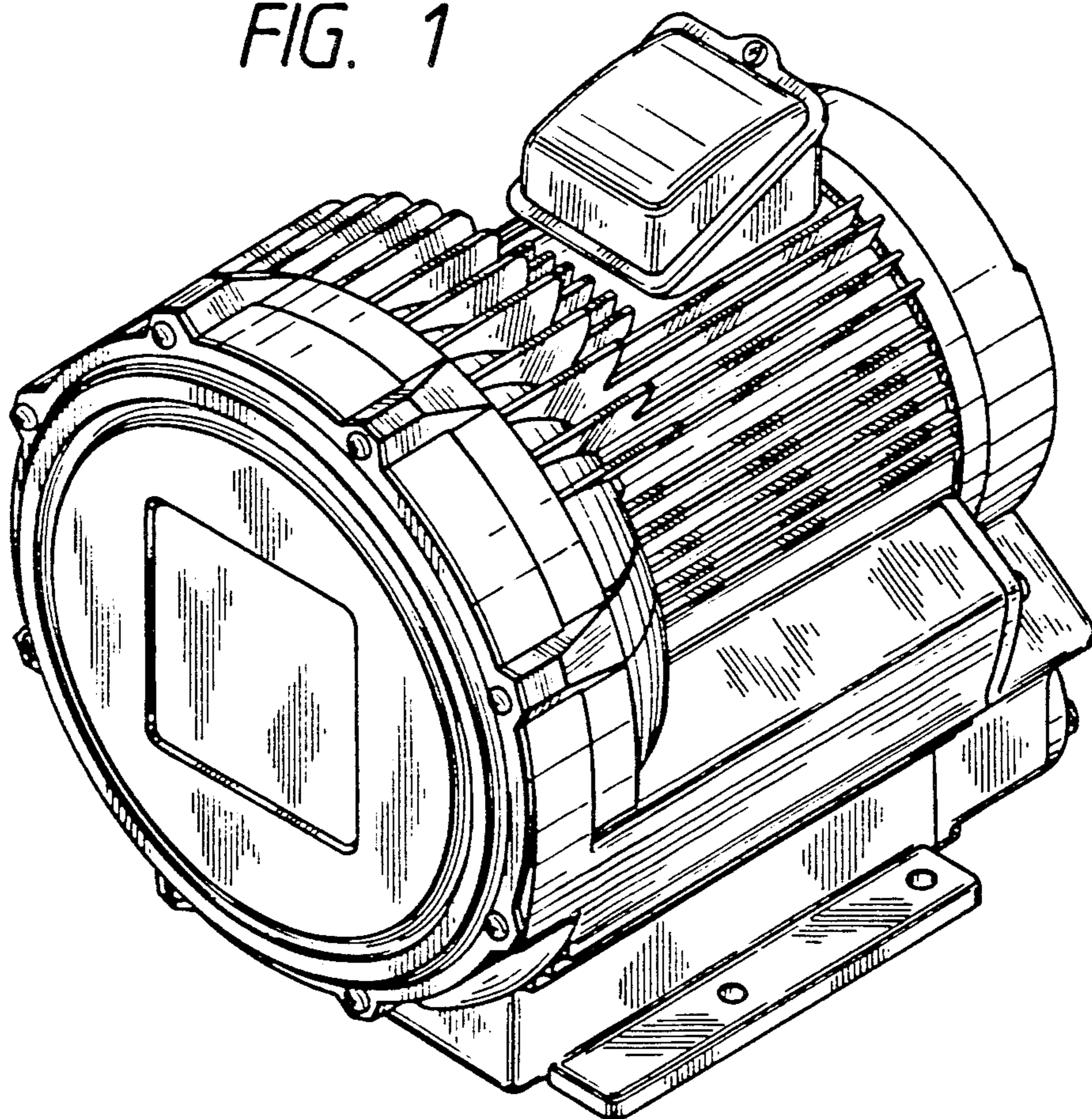


FIG. 2

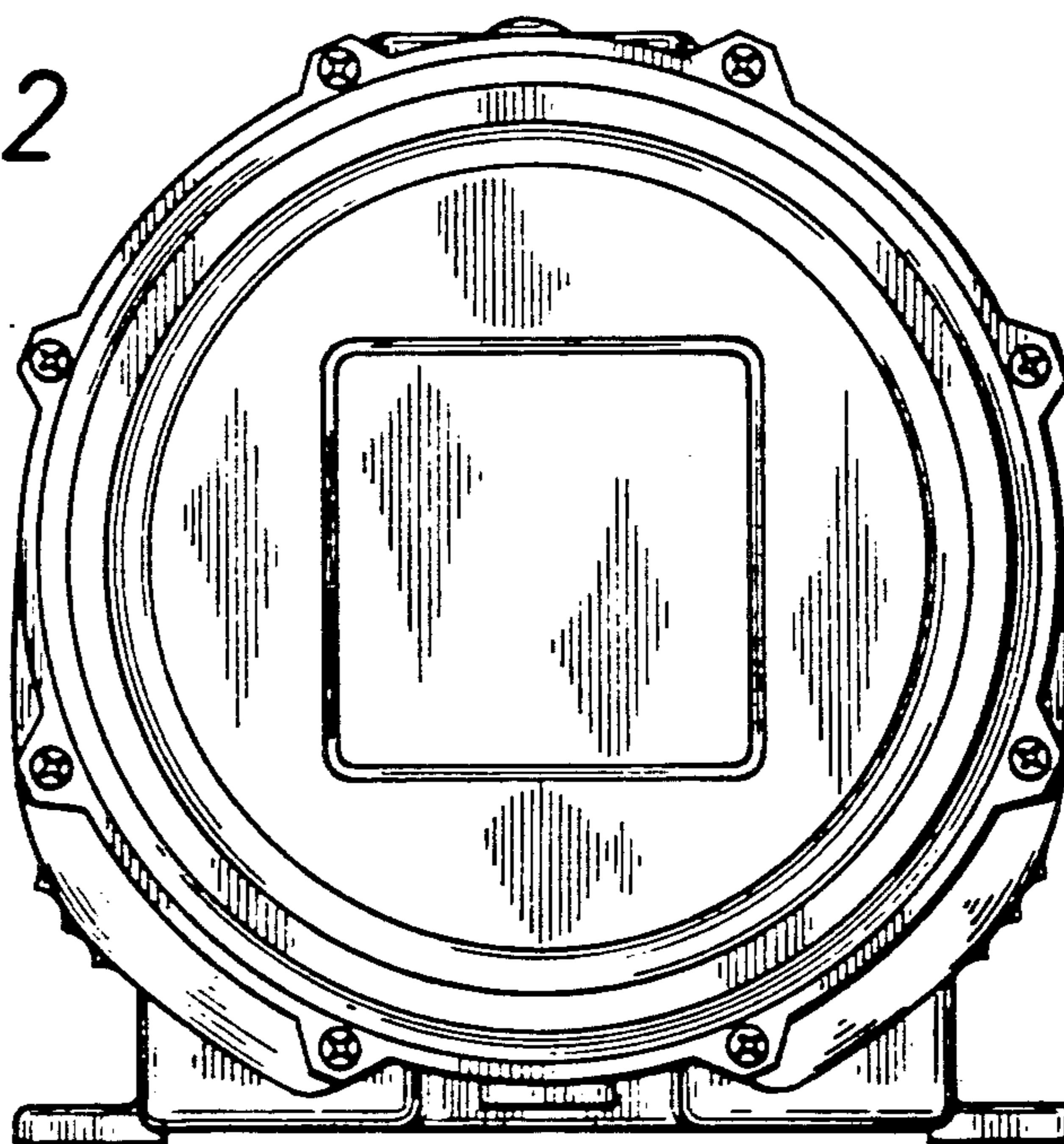


FIG. 3

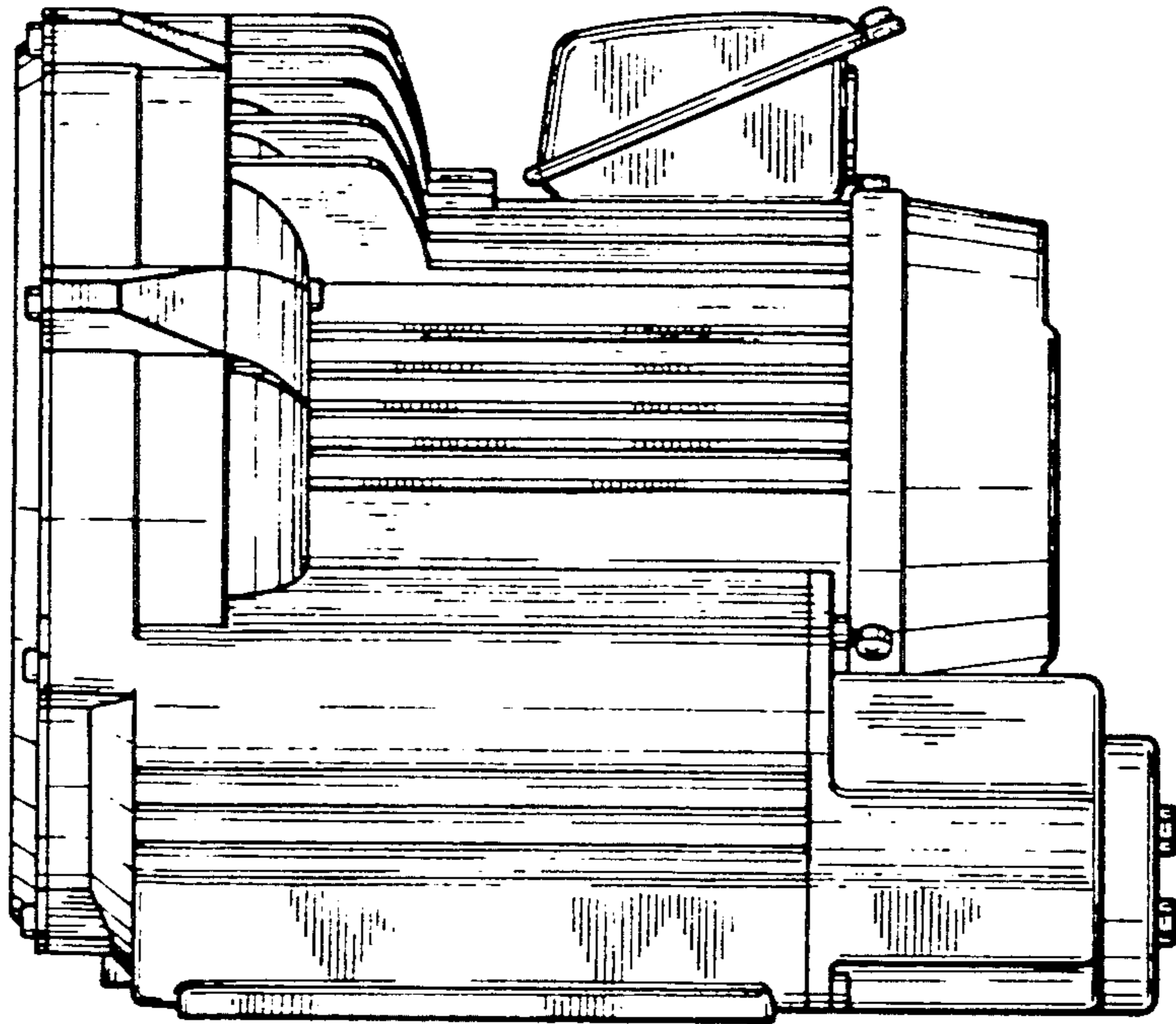


FIG. 4

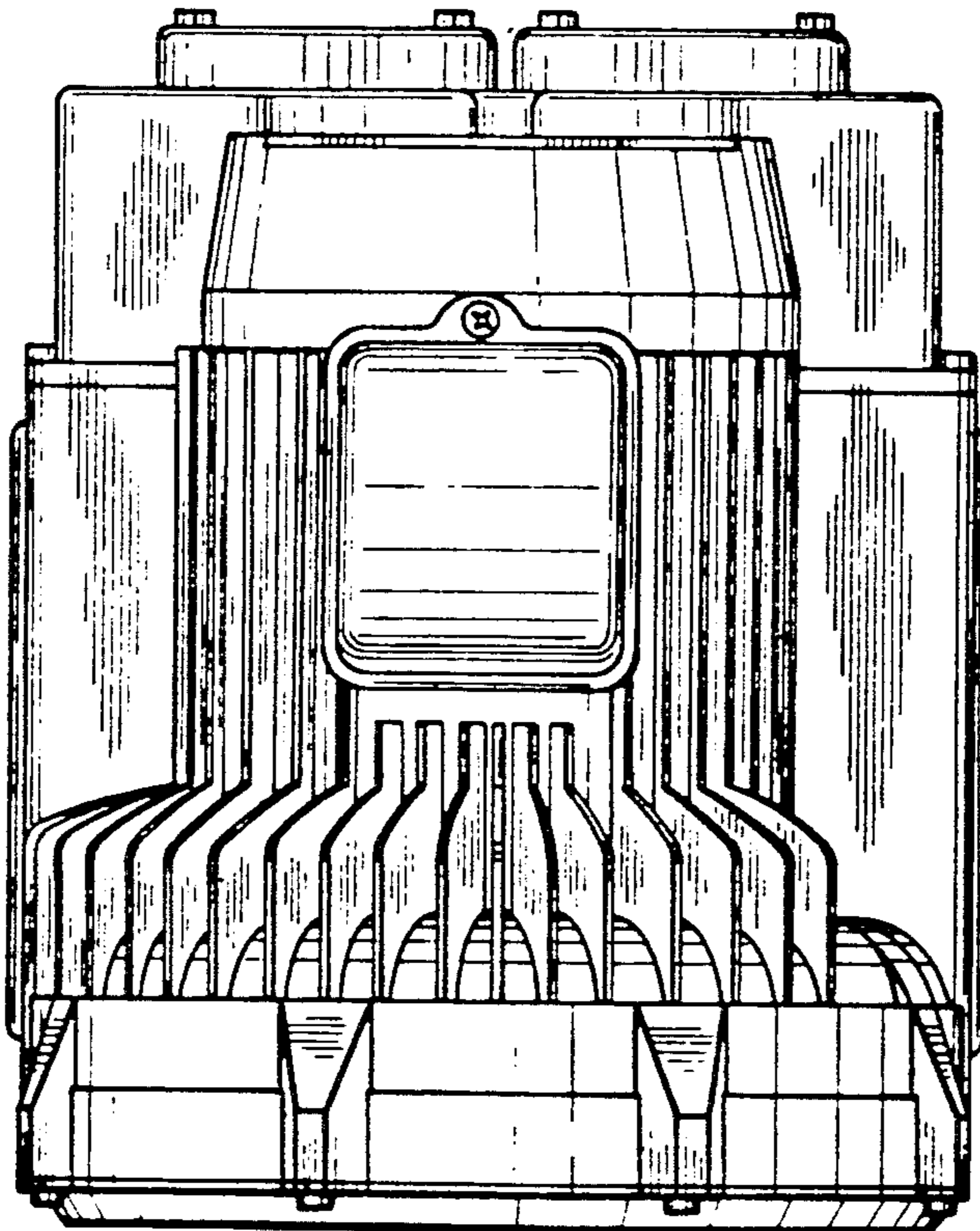




FIG. 5

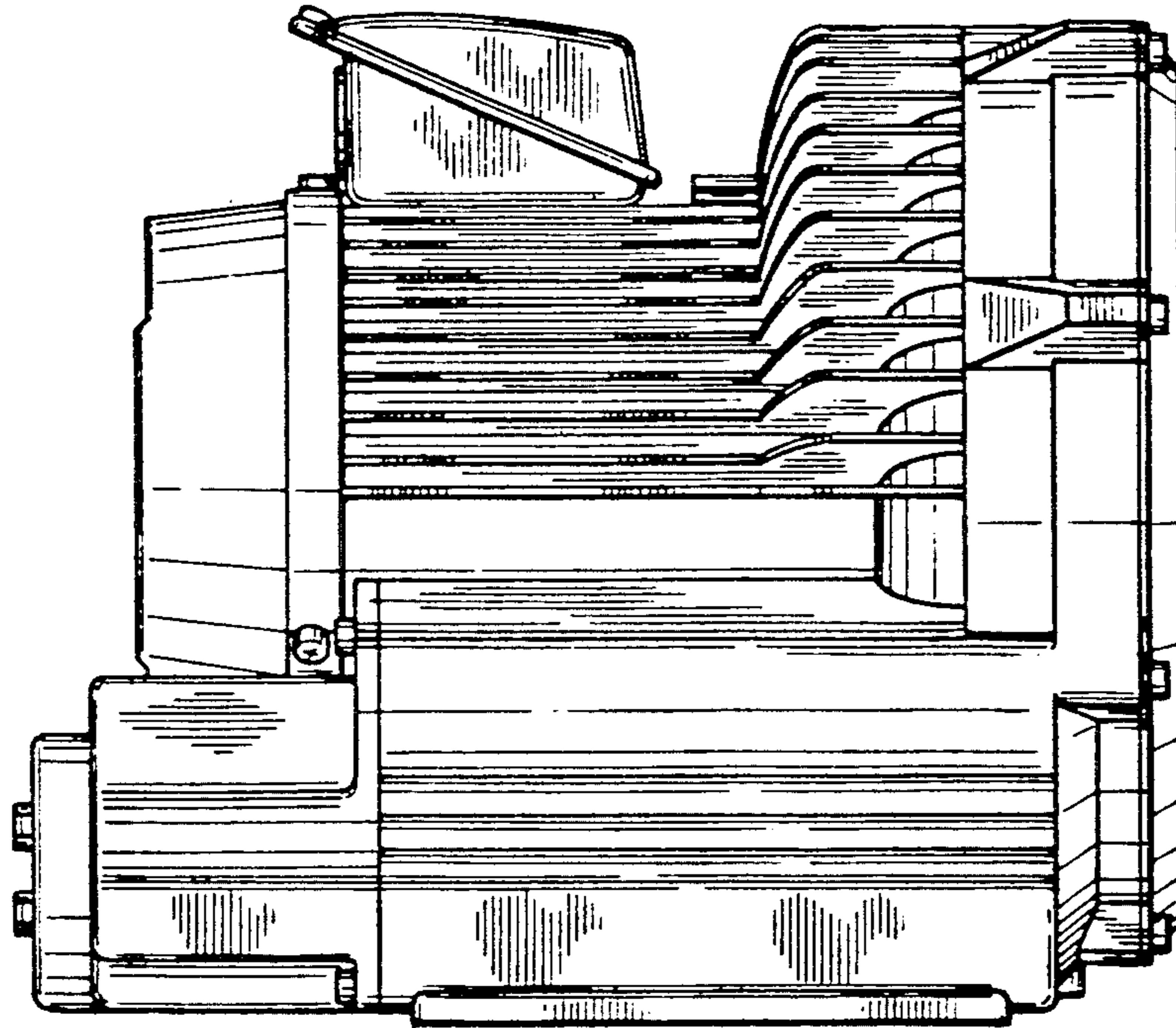


FIG. 6

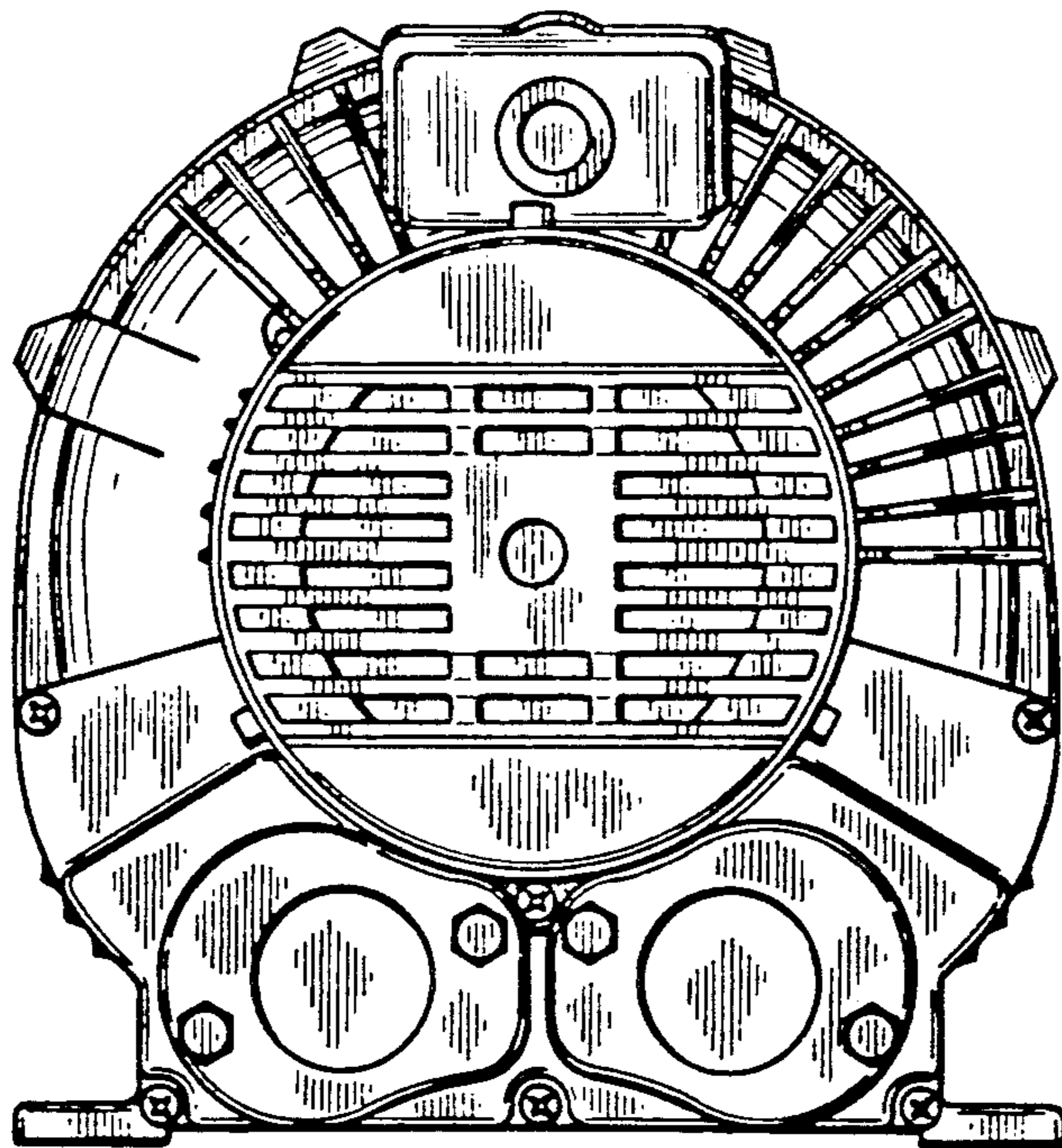


FIG. 7

