



US00D327312S

United States Patent [19]

[11] Patent Number: **Des. 327,312**

Myojo

[45] Date of Patent: **** Jun. 23, 1992**

[54] FISHING REEL

D. 300.054 2/1989 Hiraishi et al. D22/141

[75] Inventor: Seiji Myojo, Sakai, Japan

Primary Examiner—A. Hugo Word

[73] Assignee: Shimano Industrial Co. Ltd., Osaka, Japan

Assistant Examiner—Doris V. Coles

Attorney, Agent, or Firm—Dickstein, Shapiro & Morin

[**] Term: 14 Years

[57] CLAIM

[21] Appl. No.: 471,739

The ornamental design of a fishing reel, as shown and described.

[22] Filed: Jan. 29, 1990

[52] U.S. Cl. D22/141

[58] Field of Search D22/141; 242/224, 230-233, 242/245, 246

DESCRIPTION

FIG. 1 is a left side elevational view of a fishing reel, showing my new design;

FIG. 2 is a right side elevational view thereof;

FIG. 3 is a perspective view thereof;

FIG. 4 is a top plan view thereof;

FIG. 5 is a front elevational view thereof;

FIG. 6 is a rear elevational view thereof; and,

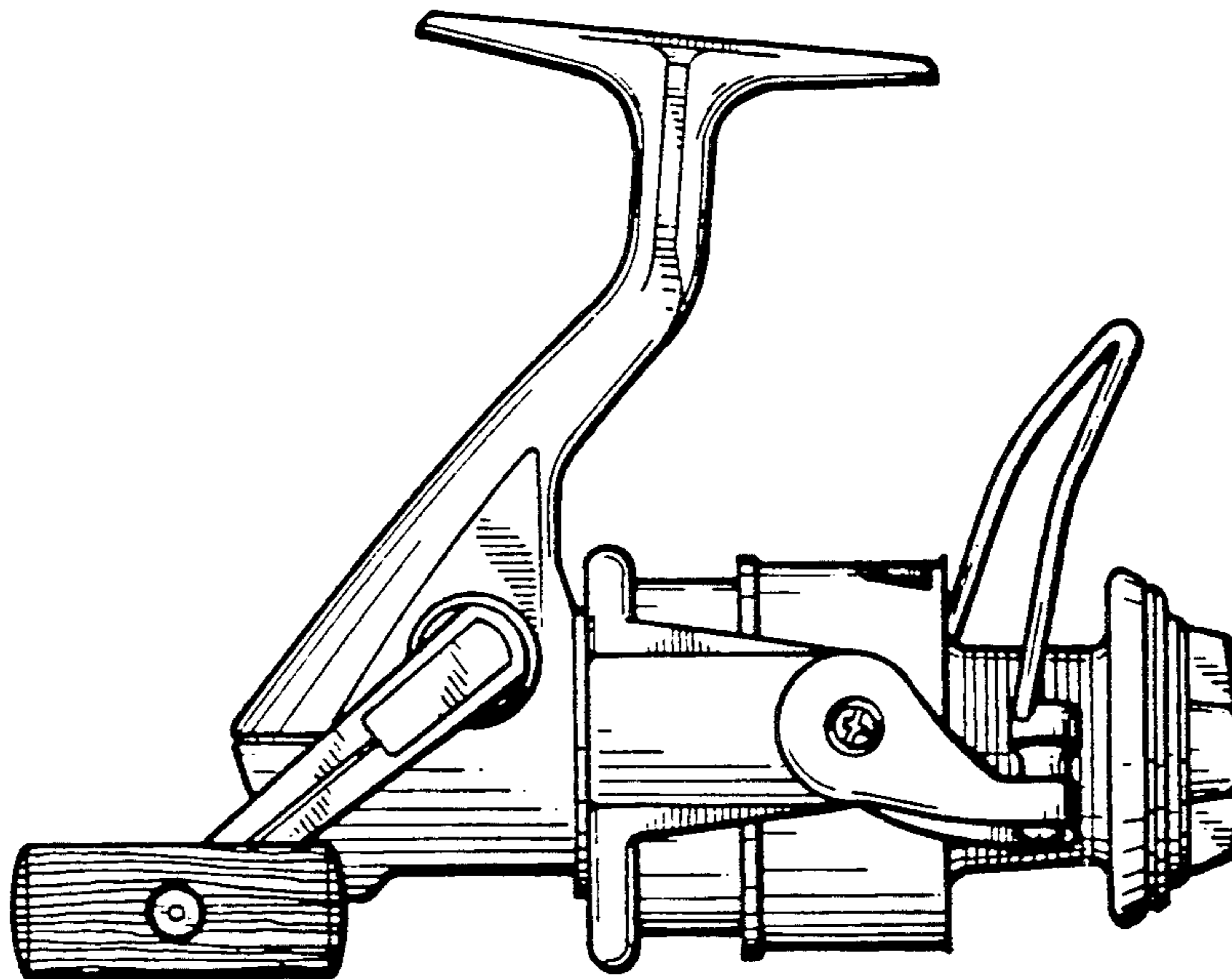
FIG. 7 is a bottom plan view thereof.

[56] References Cited

U.S. PATENT DOCUMENTS

D. 294.621 3/1988 Myojo D22/141

D. 294.728 3/1988 Kameda D22/141



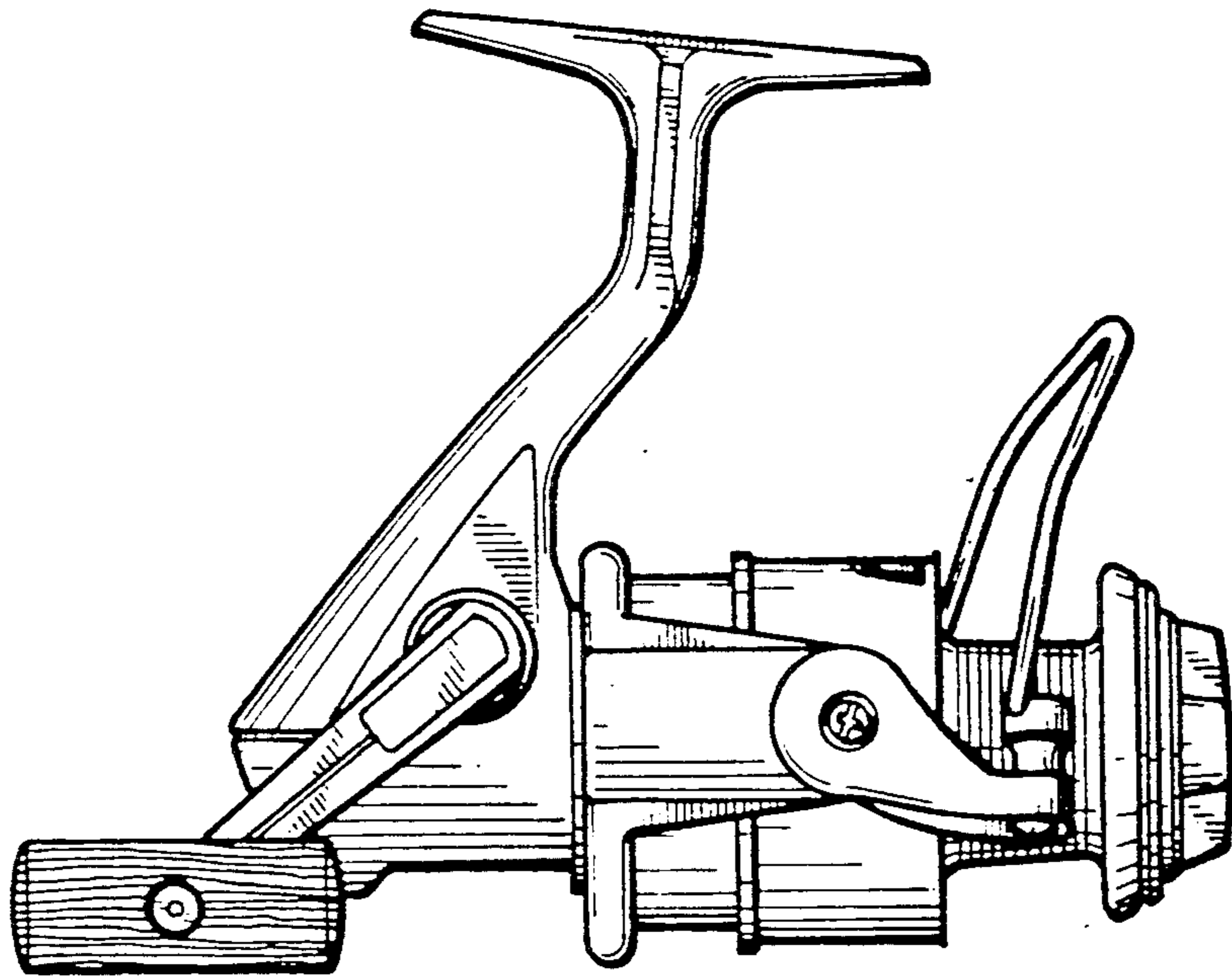


FIG. 1

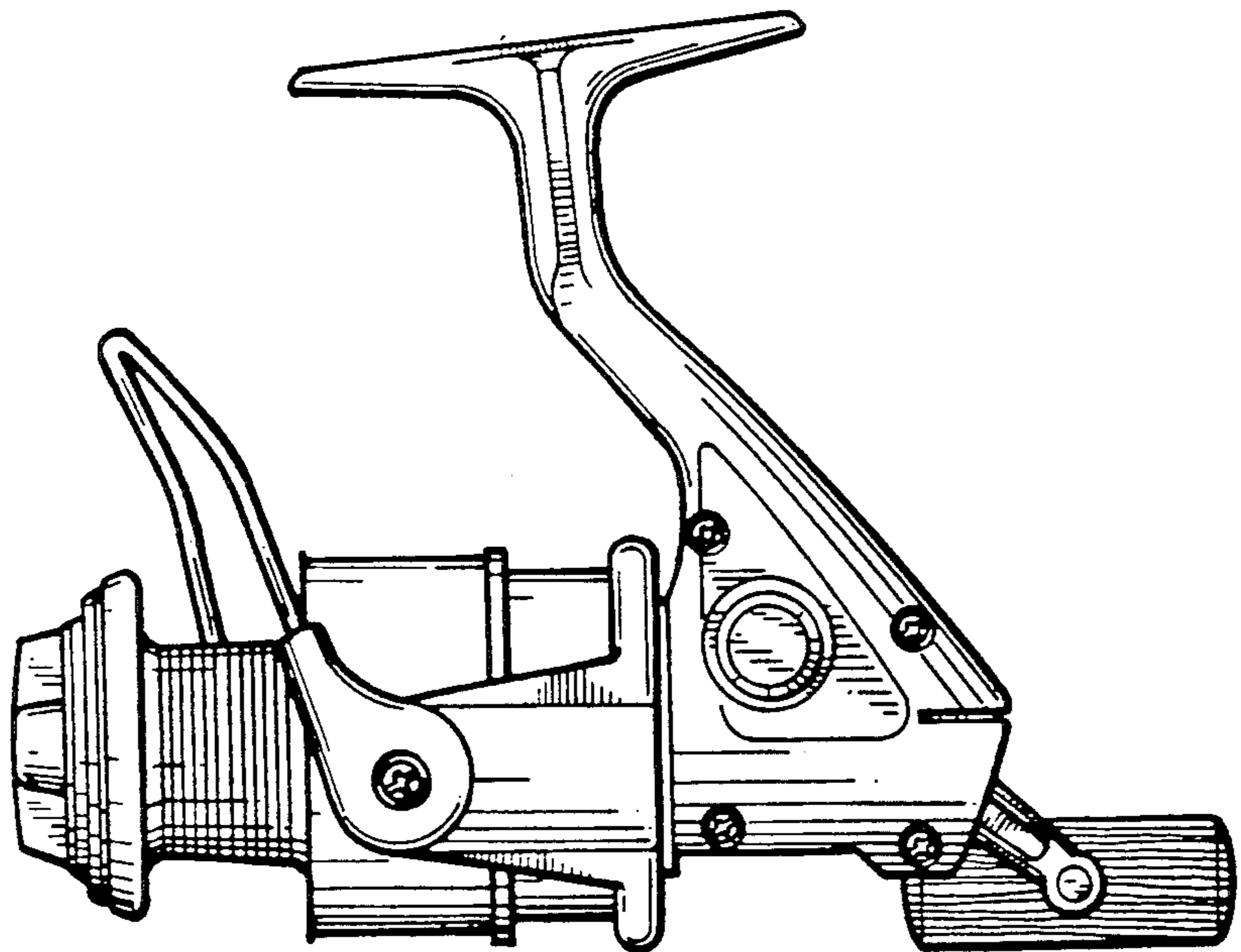


FIG. 2

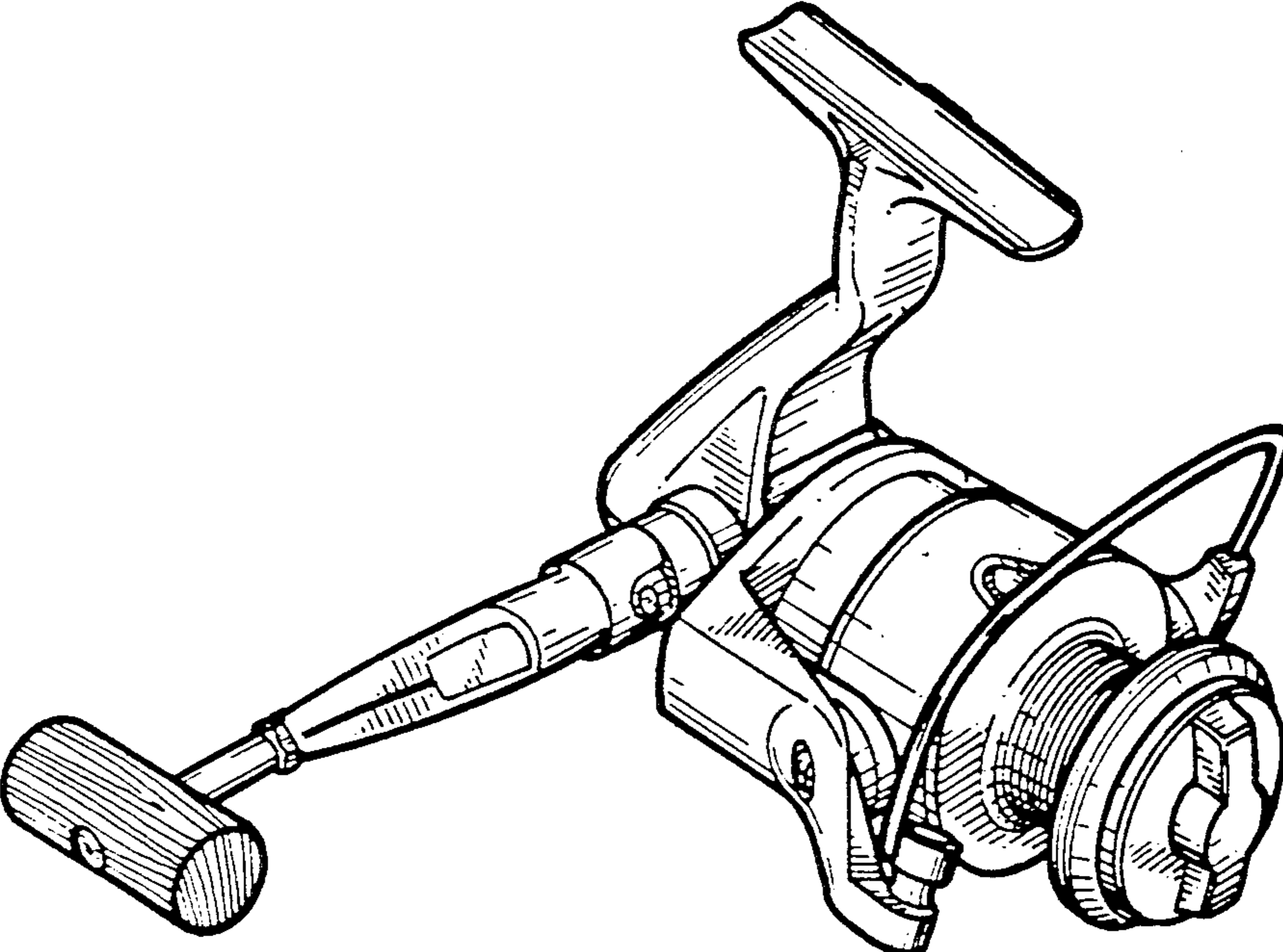


FIG. 3

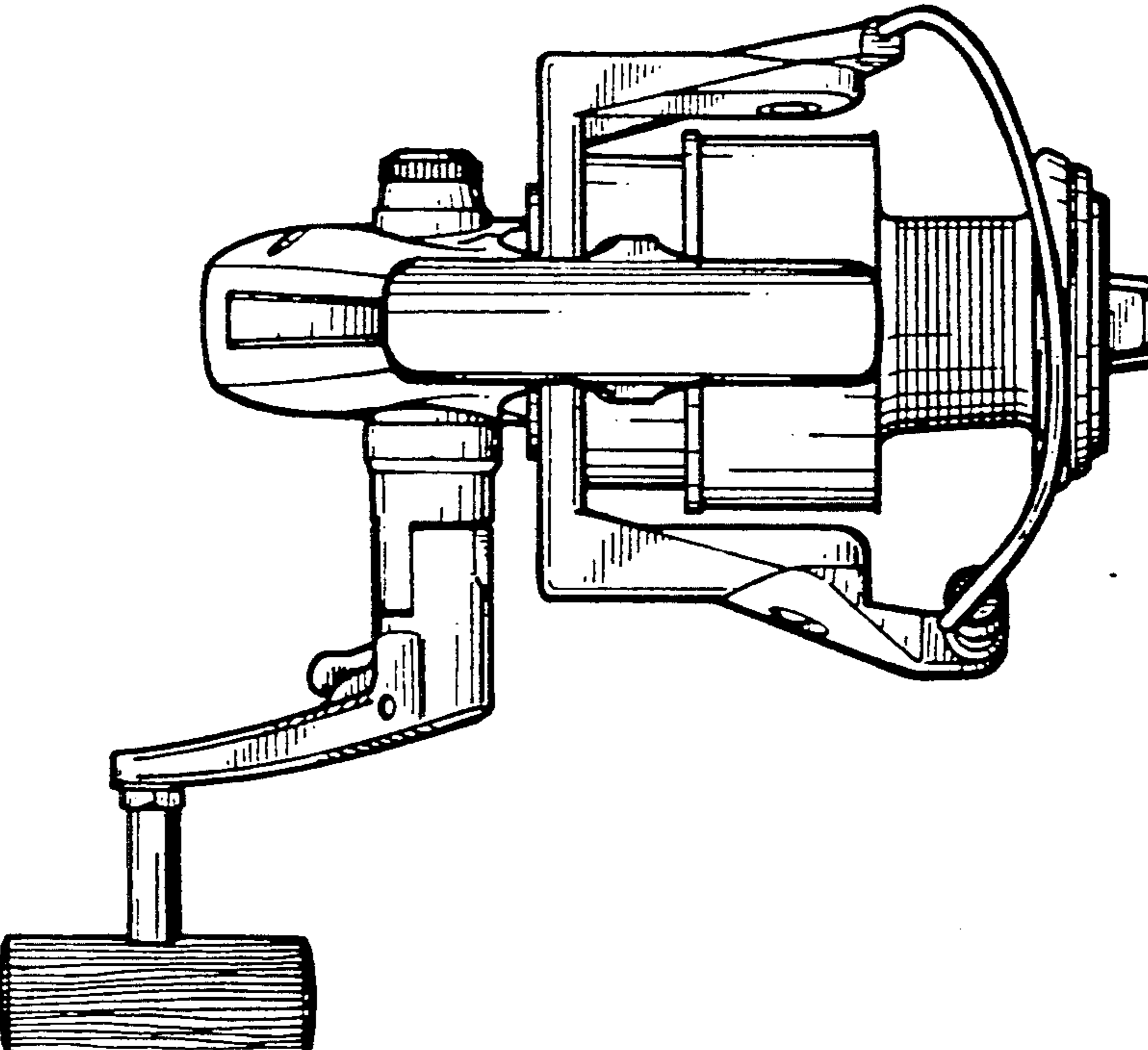


FIG. 4

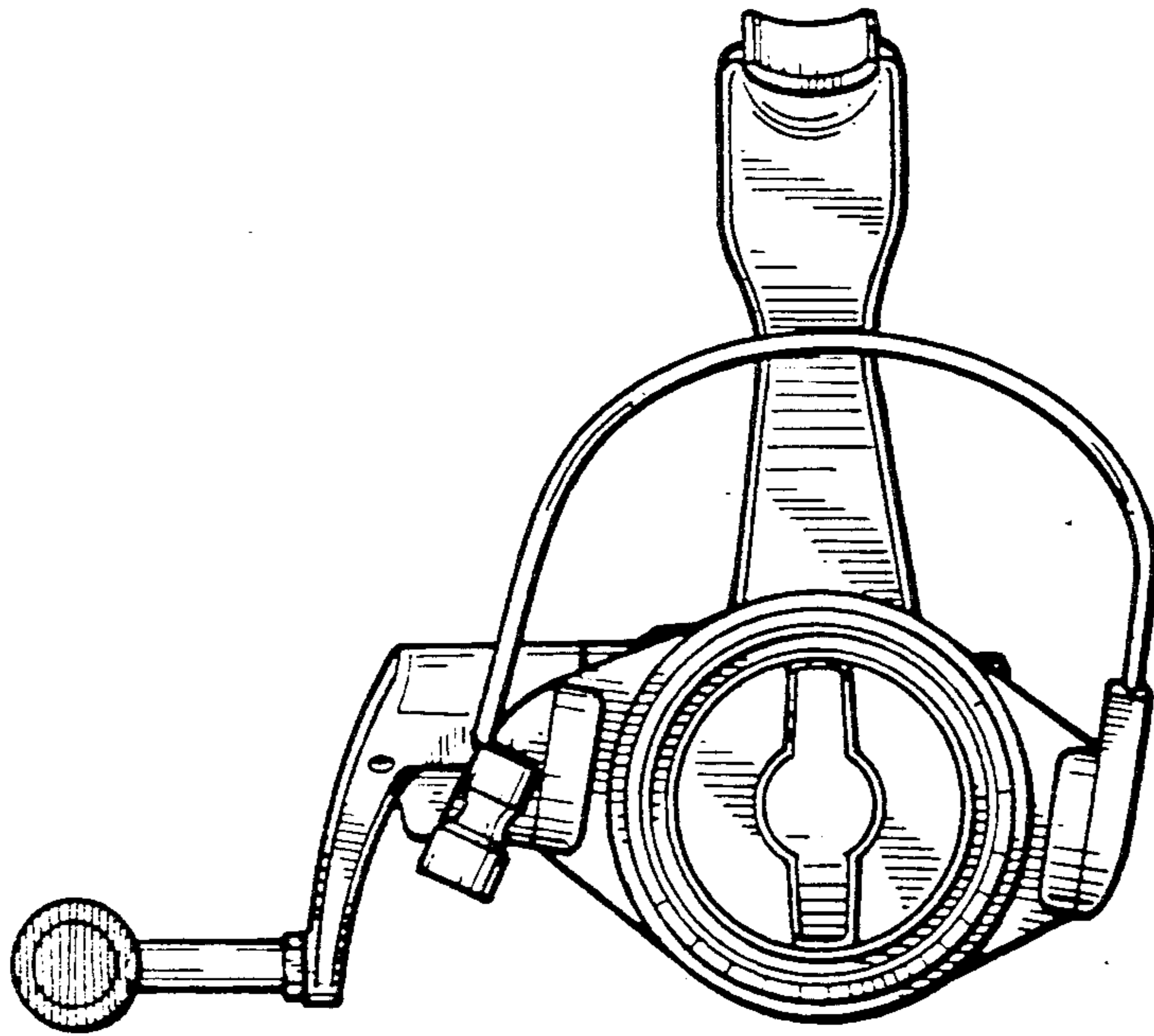


FIG. 5

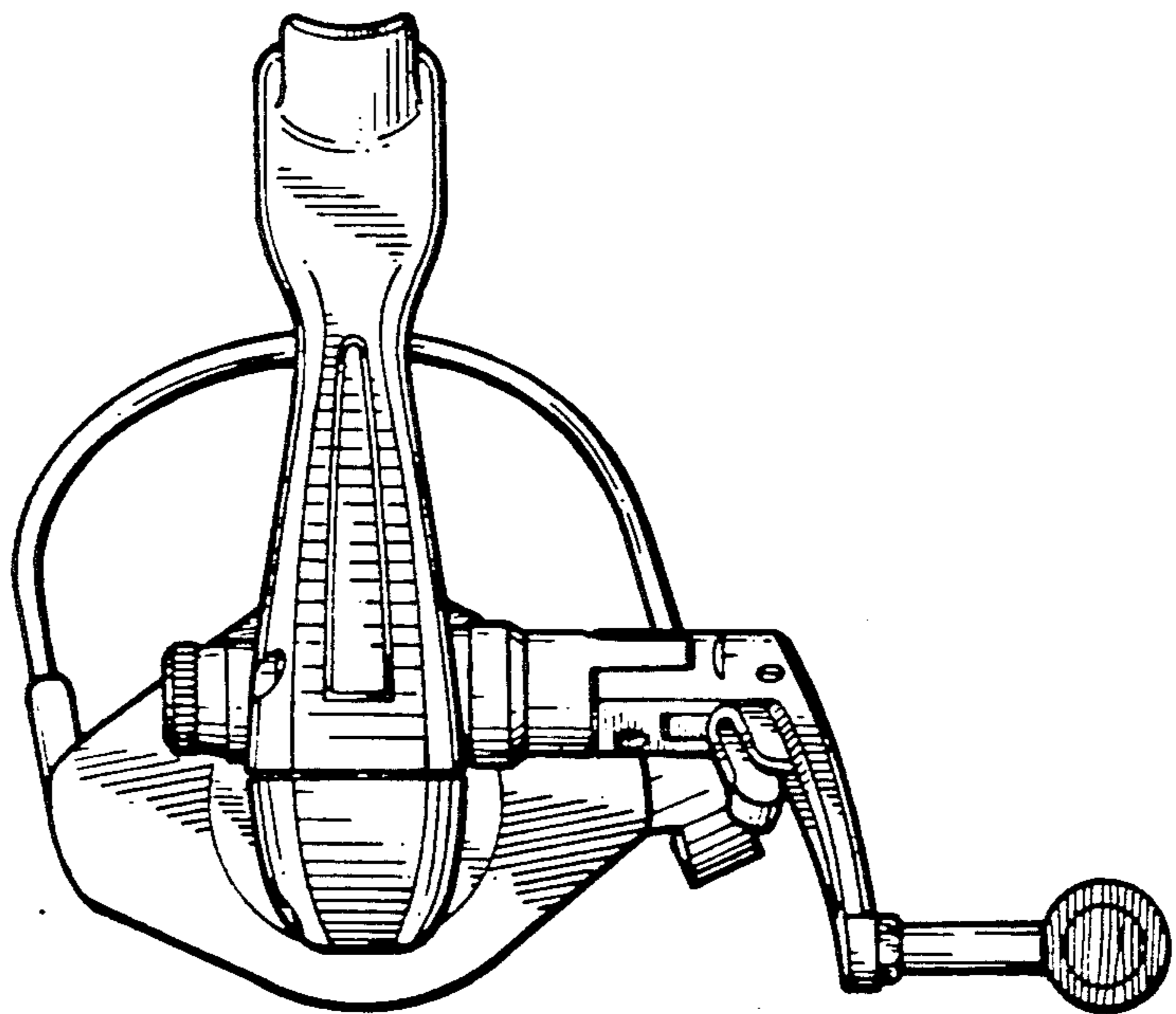


FIG. 6

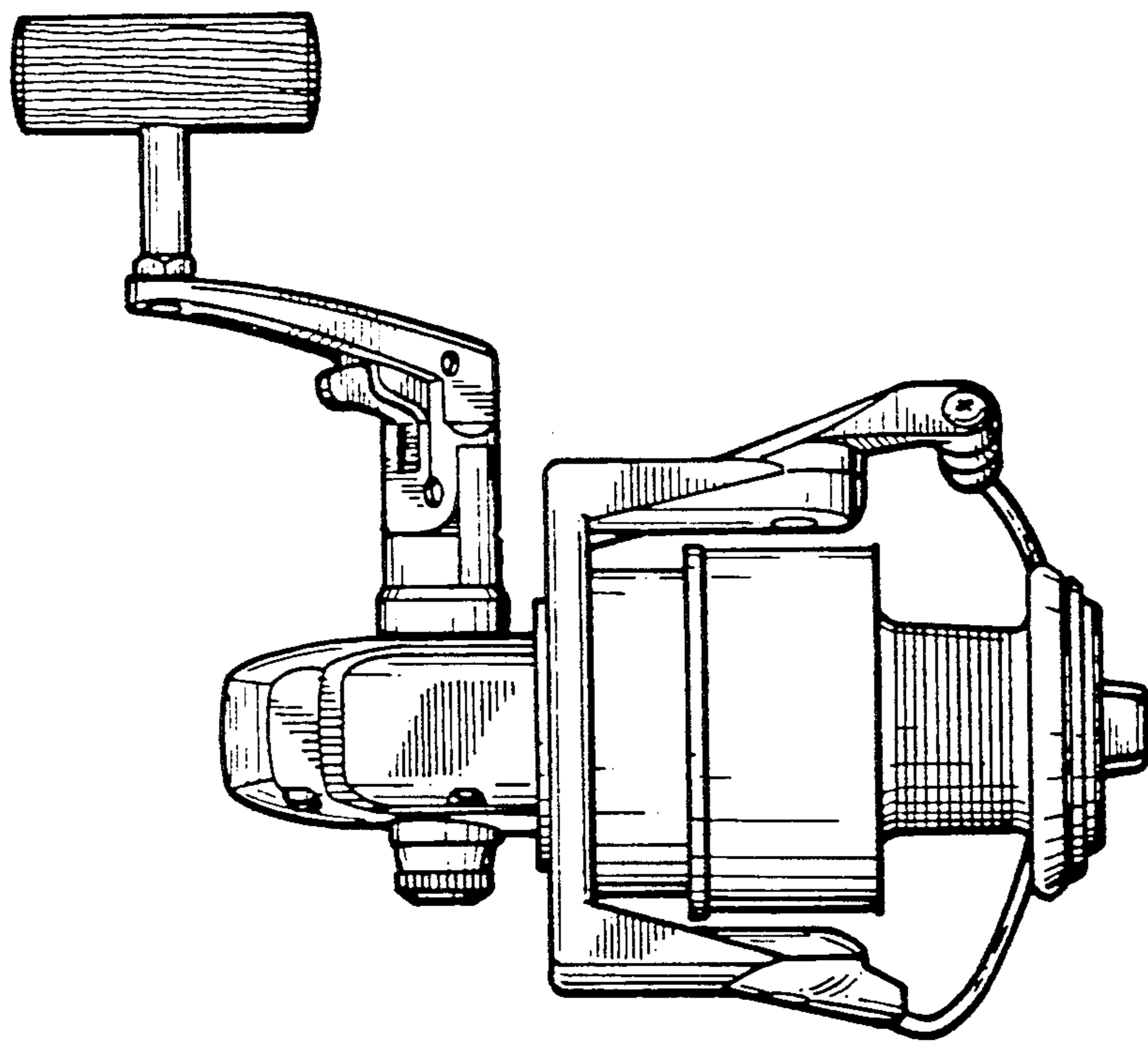


FIG. 7