



US00D327310S

United States Patent [19]

[11] Patent Number: Des. 327,310

Dudley

[45] Date of Patent: ** Jun. 23, 1992

[54] ANIMAL TRAP SPRING COMPRESSOR

3,507,305 4/1970 Crabb D8/58
3,871,078 3/1975 Ogle D8/58 X

[76] Inventor: James D. Dudley, Rte. 1 Box 13,
Bennington, Okla. 74723

FOREIGN PATENT DOCUMENTS

[**] Term: 14 Years

551560 5/1932 Fed. Rep. of Germany 43/97

[21] Appl. No.: 390,262

Primary Examiner—A. Hugo Word
Assistant Examiner—Doris V. Coles
Attorney, Agent, or Firm—Robert K. Rhea

[22] Filed: Aug. 7, 1989

[52] U.S. Cl. D22/119; D8/52

[58] Field of Search D22/119; D8/72, 52,
D8/54, 58; 81/424.5, 426.5; 43/96, 97

[57] CLAIM

The ornamental design for an animal trap spring compressor, as shown.

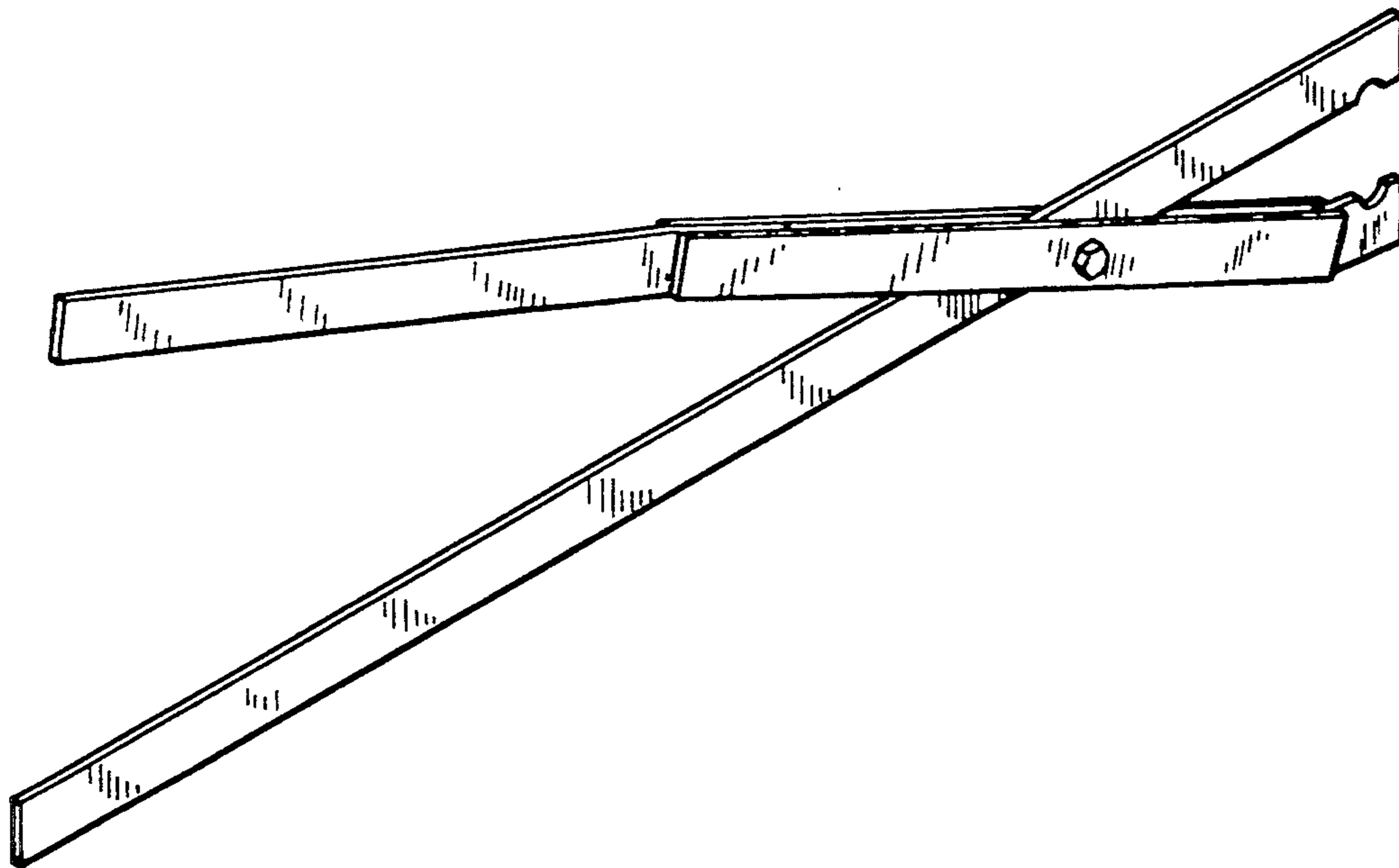
[56] References Cited

U.S. PATENT DOCUMENTS

D. 251,409	3/1979	Smith	D8/58
D. 260,132	8/1981	Shaffer	D8/52
D. 294,220	2/1988	Westhaver	D8/58
1,336,461	4/1920	Yackel	81/424.5 X
1,442,486	1/1923	Looke	81/426.5 X
1,471,531	10/1923	Schorrath	81/426.5
1,891,803	12/1932	Falwell	81/426.5 X
3,161,086	12/1964	Kircher	81/426.5 X

DESCRIPTION

FIG. 1 is a right side elevational view of an animal trap spring compressor, showing my new design; FIG. 2 is a left side elevational view thereof; FIG. 3 is a front elevational view thereof; FIG. 4 is a rear elevational view thereof; FIG. 5 is a top plan view thereof; FIG. 6 is a bottom plan view thereof; and, FIG. 7 is a perspective view thereof.



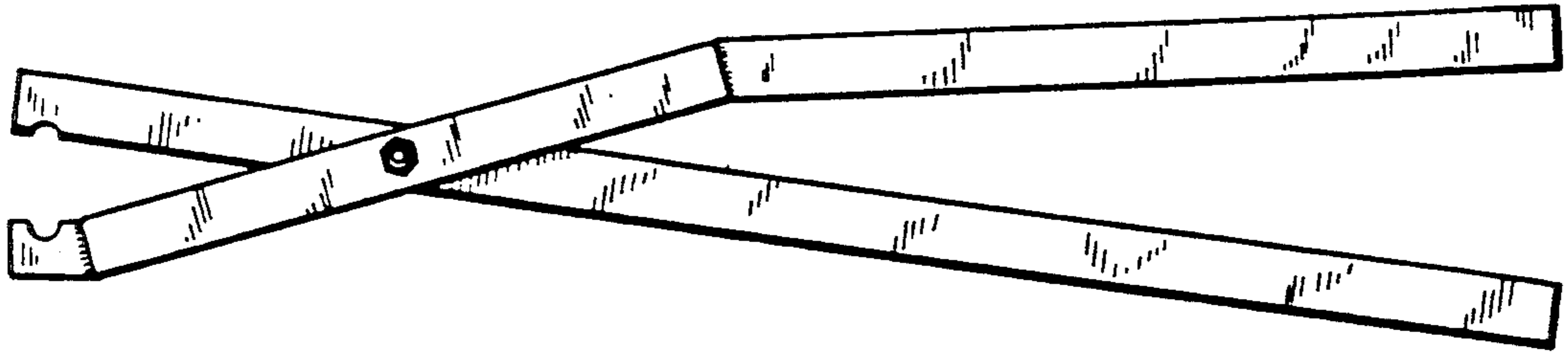


Fig. 1

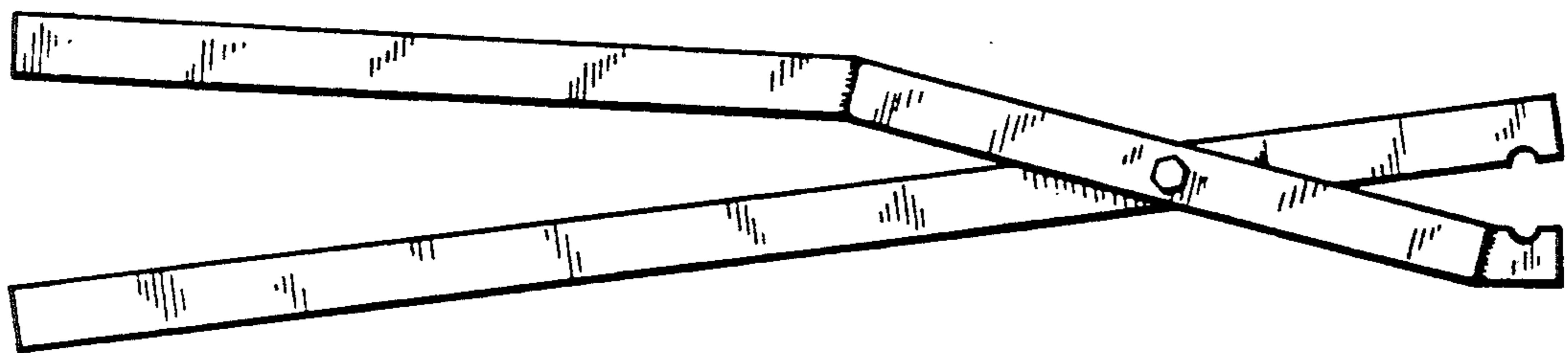


Fig. 2



Fig. 3



Fig. 4



Fig. 5

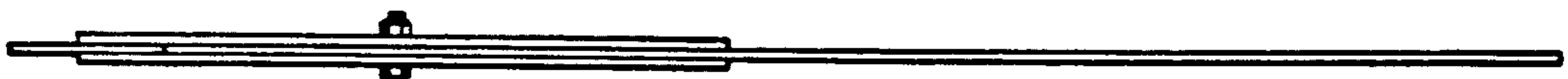


Fig. 6

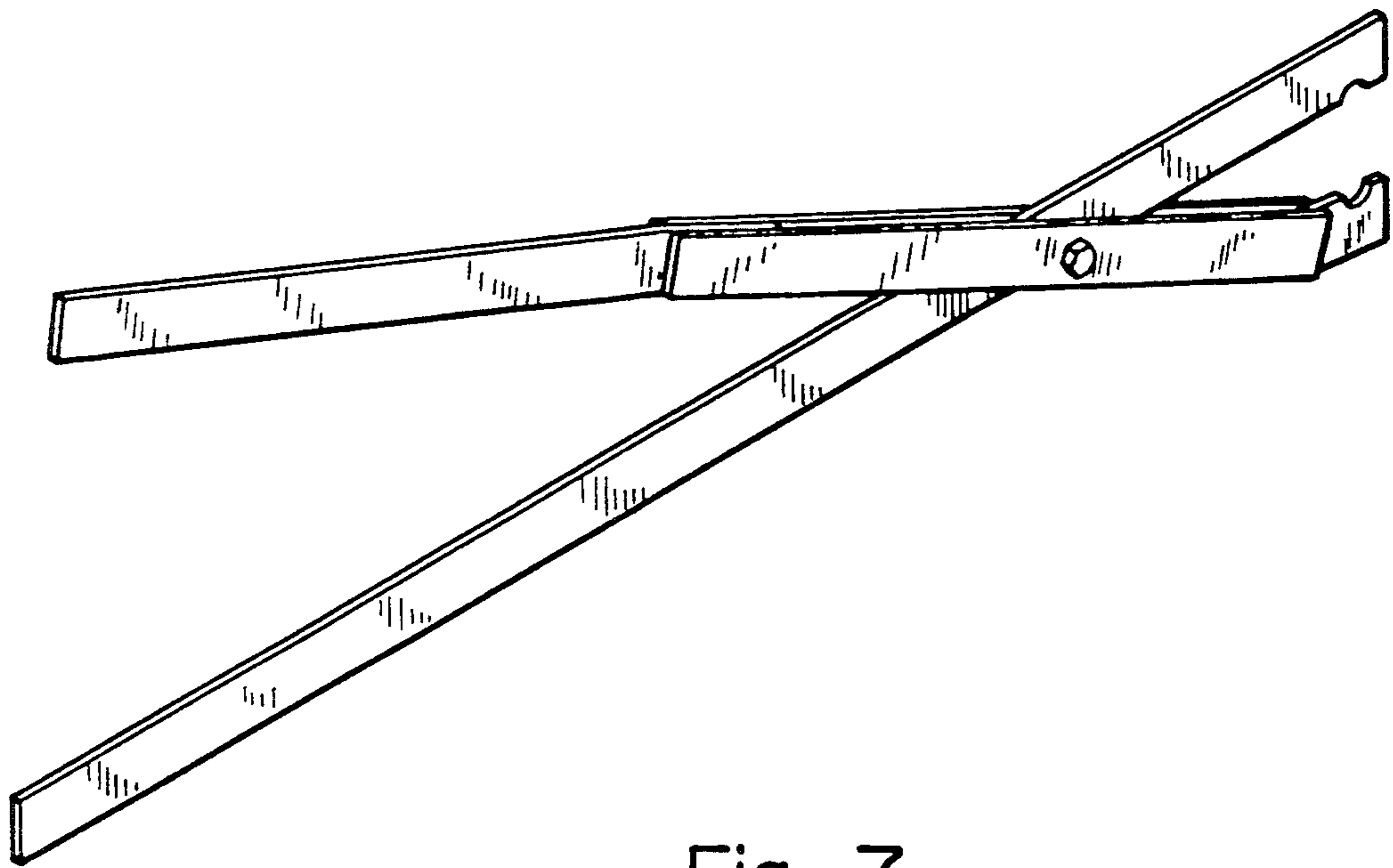


Fig. 7