



US00D327301S

United States Patent [19]

[11] Patent Number: **Des. 327,301**

Kaplan et al.

[45] Date of Patent: **** Jun. 23, 1992**

[54] **PUSH TOY**

718,192	1/1903	Christensen	446/238
1,253,449	1/1918	Wilson	446/238
1,396,109	11/1921	Grimsley	446/238
4,950,199	8/1990	Kaplan et al.	446/238

[75] Inventors: **Andrew J. Kaplan, Portsmouth, N.H.; Edward B. Seldin, Cambridge, Mass.**

Primary Examiner—Bernard Ansher
Assistant Examiner—R. Barkai
Attorney, Agent, or Firm—Reed Smith Shaw & McClay

[73] Assignee: **Kinderworks Corporation, Portsmouth, N.H.**

[**] Term: **14 Years**

[57] CLAIM

[21] Appl. No.: **443,105**

The ornamental design for a push toy, as shown and described.

[22] Filed: **Nov. 28, 1989**

[52] U.S. Cl. **D21/71**

DESCRIPTION

[58] Field of Search **D21/59, 64, 71, 240; 446/238**

FIG. 1 is a front elevational view of a push toy showing my new design, the rear elevational view being substantially a mirror image;

[56] References Cited

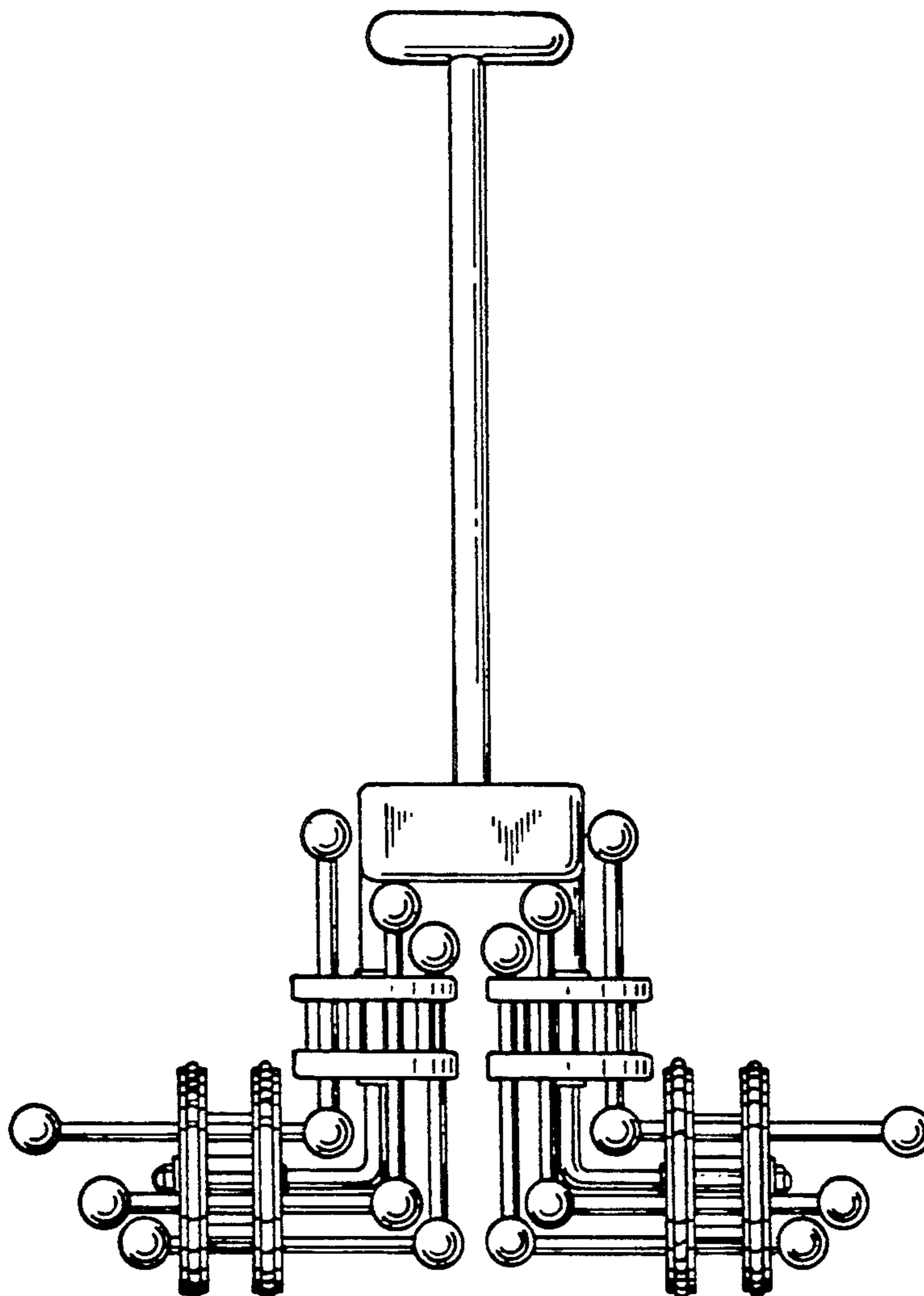
U.S. PATENT DOCUMENTS

D. 256,381	8/1980	Harwood	D21/64
D. 265,577	7/1982	Harmon	D21/240

FIG. 2 is a side elevational view thereof, the side opposite being substantially a mirror image;

FIG. 3 is a top view thereof; and,

FIG. 4 is a bottom view thereof.



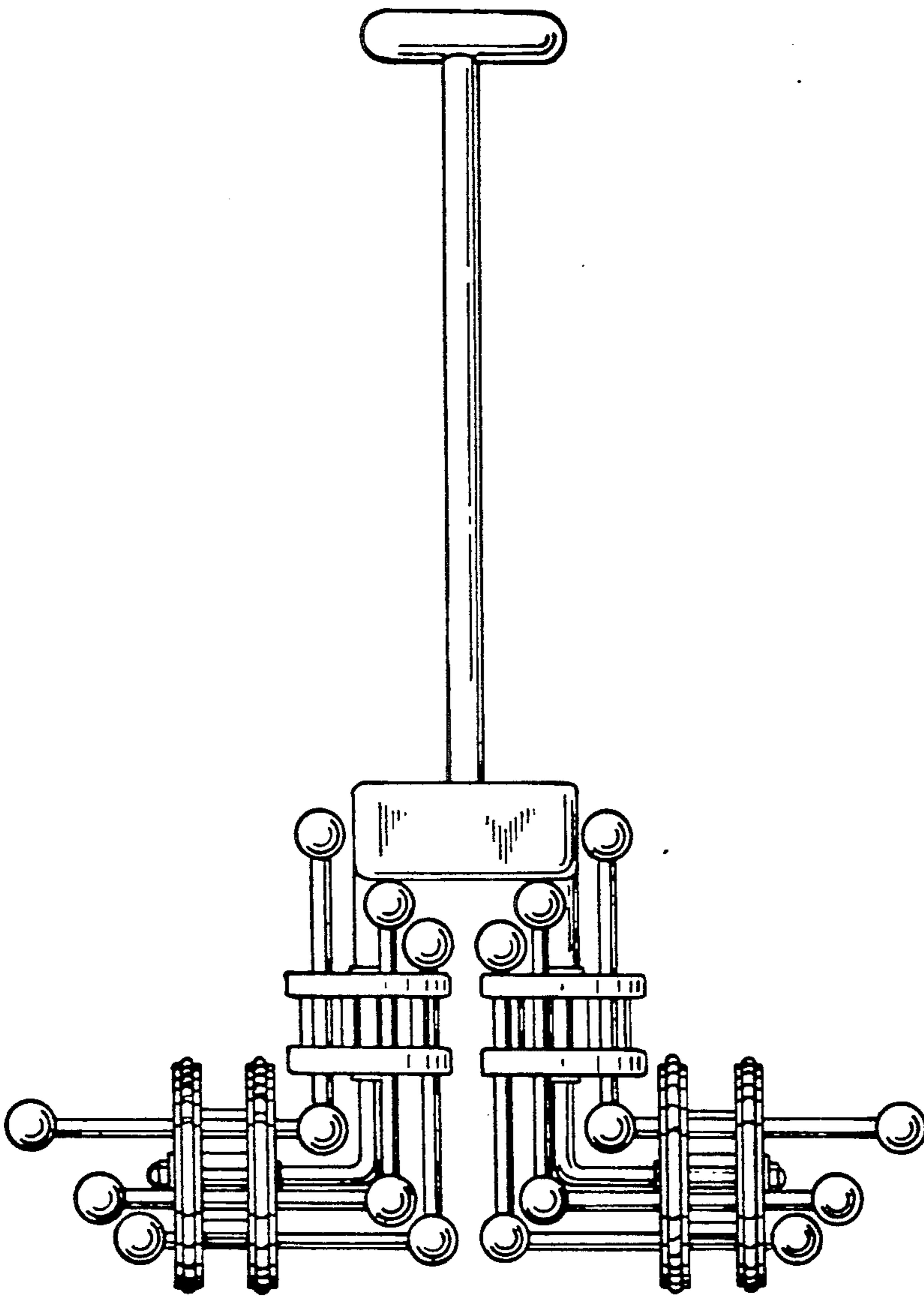


FIG. 1

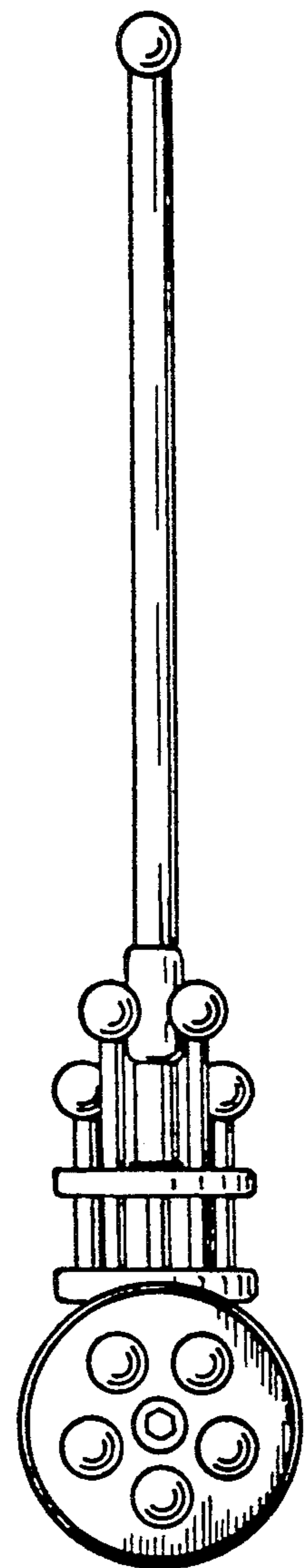


FIG. 2

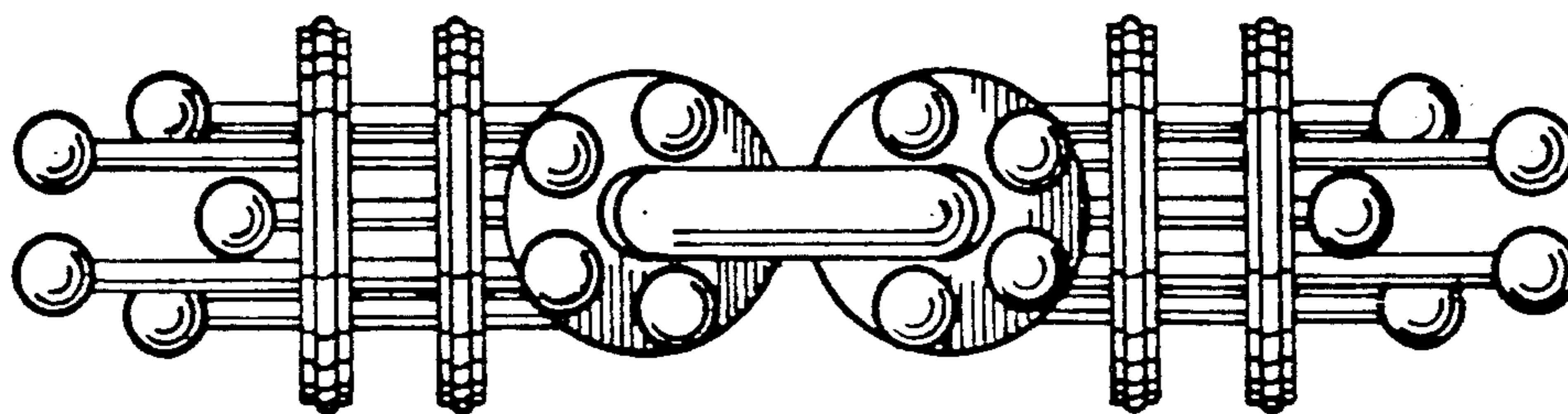


FIG. 3

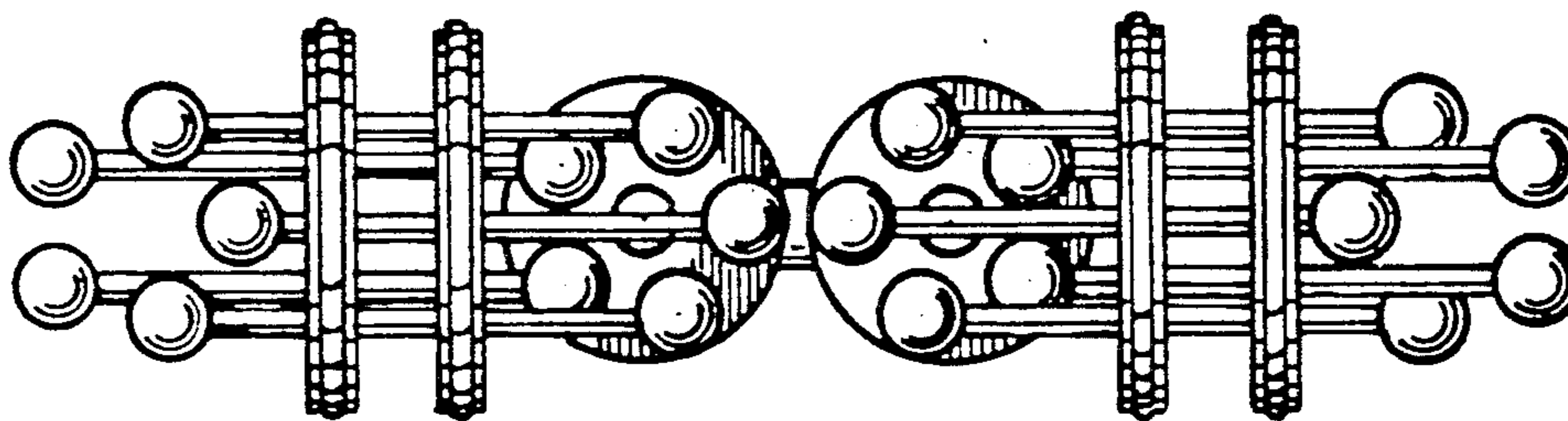


FIG. 4