



US00D327296S

# United States Patent [19]

[11] Patent Number: **Des. 327,296**

Klodt

[45] Date of Patent: **\*\* Jun. 23, 1992**

[54] **HANGER FOR A CLIPBOARD**

[75] Inventor: **Gerald Klodt, Madison, Wis.**

[73] Assignee: **W. T. Rogers Company, Madison, Wis.**

[\*\*] Term: **14 Years**

[21] Appl. No.: **392,505**

[22] Filed: **Aug. 11, 1989**

[52] U.S. Cl. .... **D19/99; D19/90; D19/88; D8/373**

[58] Field of Search ..... **D6/300; D19/34, 65, D19/75, 86, 88, 90, 99, 100; D3/100; D8/373, 354; D9/443, 345; 248/498, 690, 466; 206/806; 24/67.5, 67 AR**

[56] **References Cited**

**U.S. PATENT DOCUMENTS**

D. 275,177	8/1984	Villaneuva .....	D8/373
D. 279,431	7/1985	Sutherland .....	D6/300
D. 288,660	3/1987	Hudson .....	D8/373
D. 300,836	4/1989	Goldstein .....	D19/34 X
D. 304,132	10/1989	Jackson .....	D19/100
D. 306,964	4/1990	Zupancic .....	D8/373 X
D. 318,010	7/1991	Clinkscales .....	D8/373

D. 321,125	10/1991	Gary .....	D8/373
1,343,301	6/1920	Bills .....	248/690
2,548,389	4/1951	Neikirk .....	24/67.5
2,891,295	6/1959	Little .....	248/690 X
3,884,443	5/1975	McMaster .....	24/67 AR
4,016,977	4/1977	Krautsack .....	206/806 X
4,394,000	7/1983	Kurtz .....	248/466
4,693,441	9/1987	Conway .....	206/806 X

**FOREIGN PATENT DOCUMENTS**

70691	8/1893	Fed. Rep. of Germany .....	248/498
2072008	9/1981	United Kingdom .....	248/498

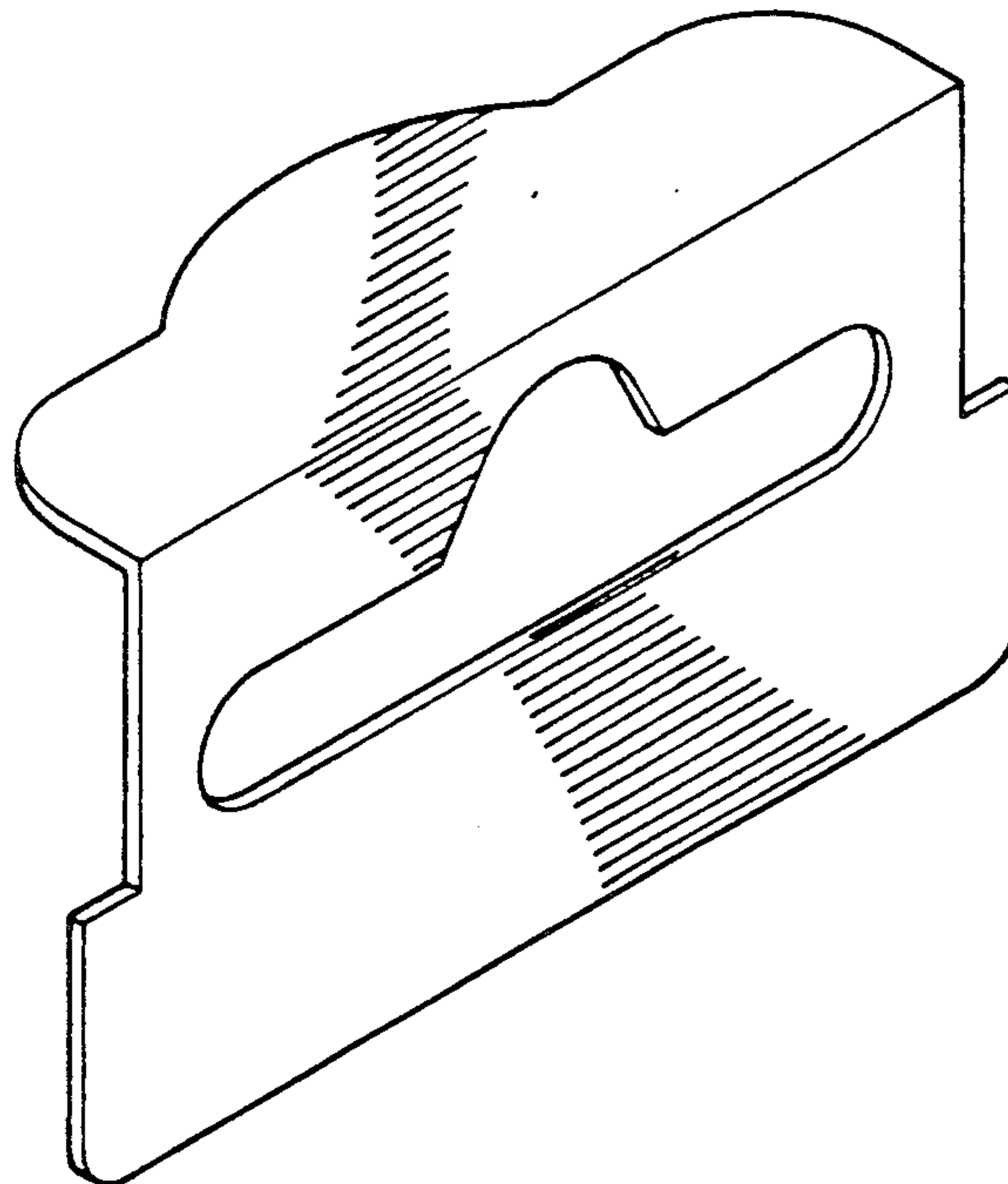
*Primary Examiner*—Bruce W. Dunkins  
*Assistant Examiner*—Martha Thompson  
*Attorney, Agent, or Firm*—Baker & McKenzie

[57] **CLAIM**

The ornamental design for a hanger for a clipboard, as shown and described.

**DESCRIPTION**

FIG. 1 is a top, right rear perspective view of a hanger for a clipboard showing my new design; FIG. 2 is a left side elevational view thereof; FIG. 3 is a front elevational view thereof; and, FIG. 4 is a bottom plan view thereof.



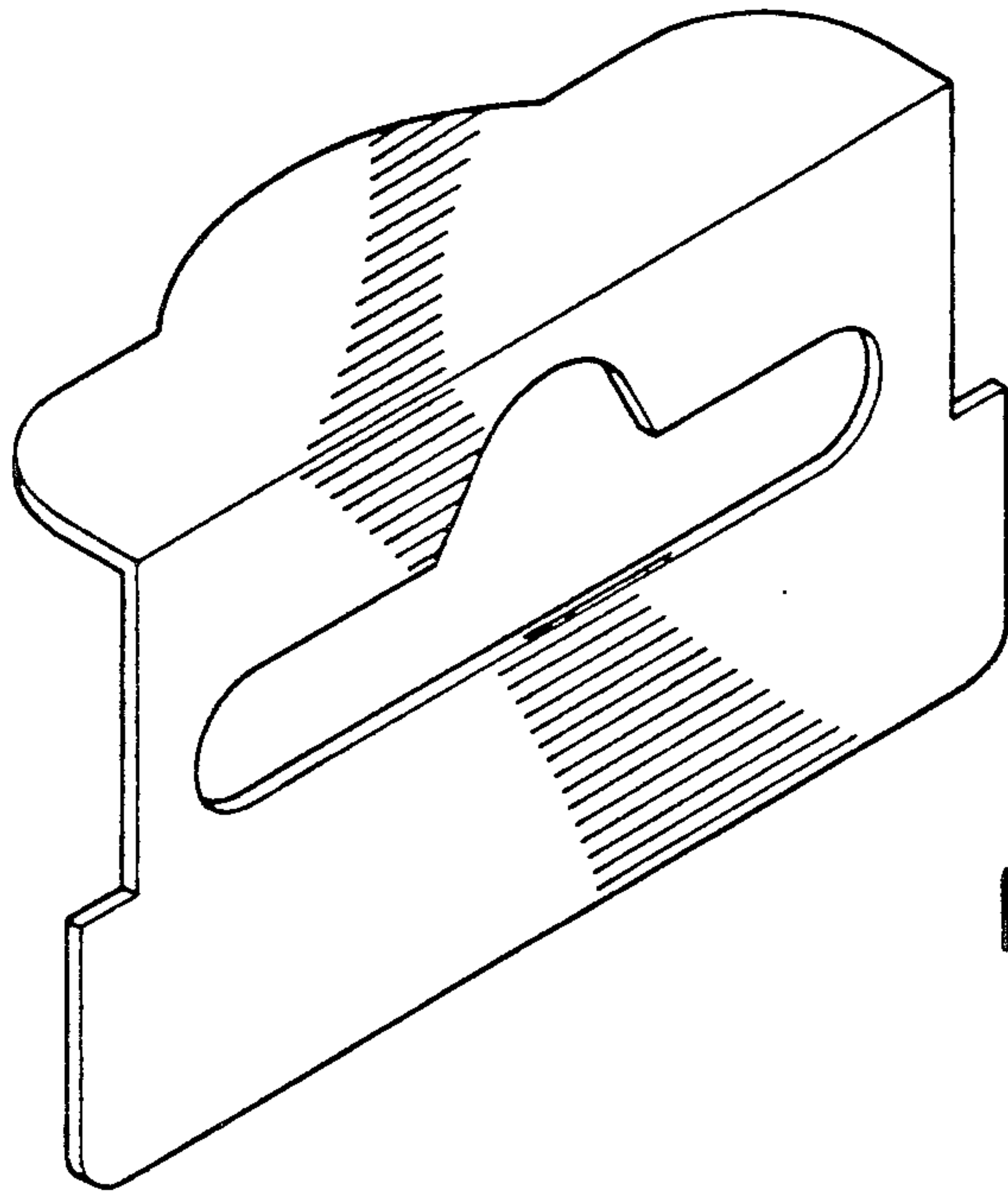


FIG. 1

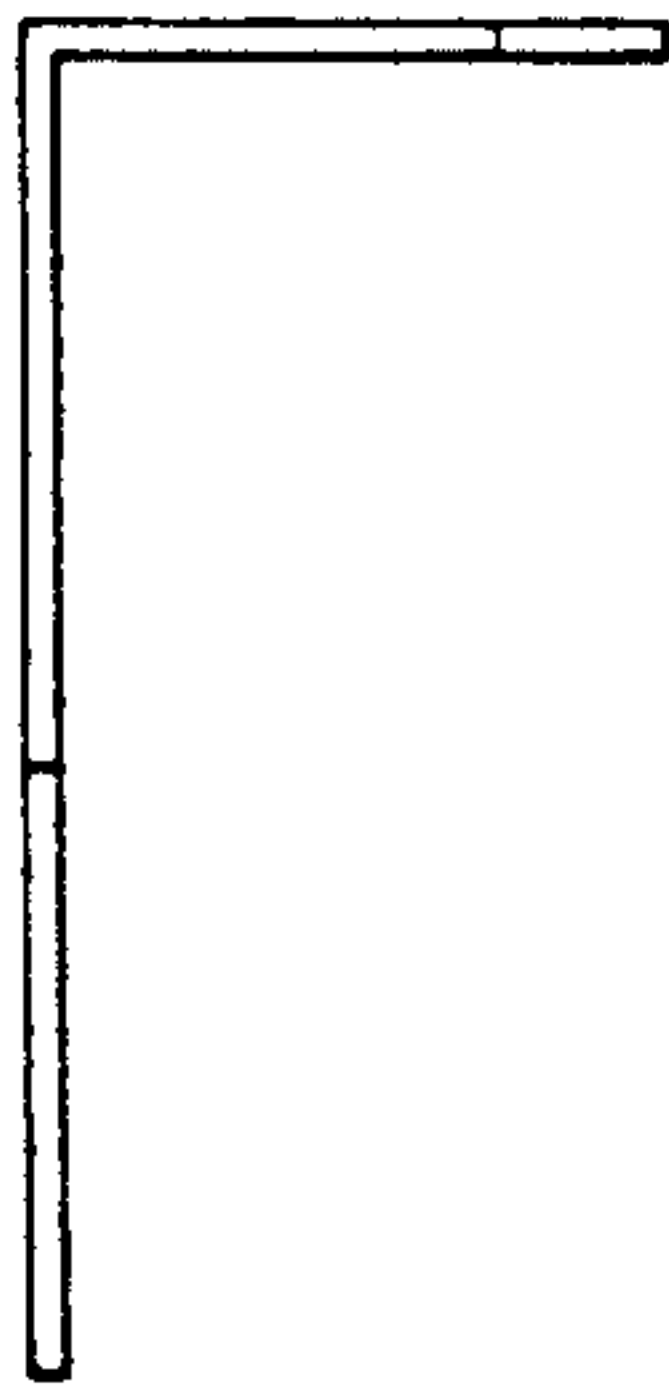


FIG. 2

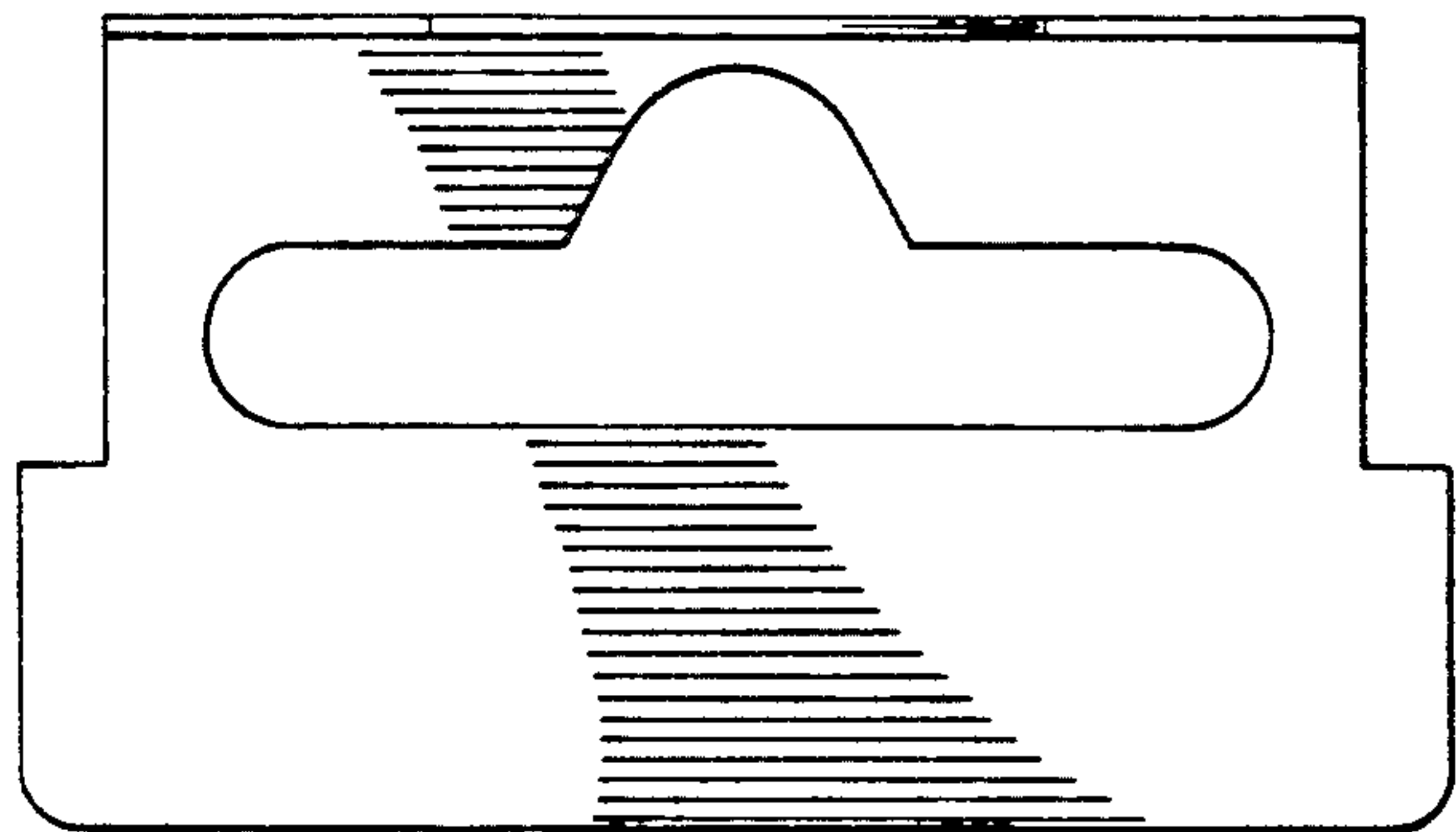


FIG. 3



FIG. 4