



US00D327295S

# United States Patent [19]

[11] Patent Number: **Des. 327,295**

Szablak et al.

[45] Date of Patent: **\*\* Jun. 23, 1992**

[54] **LETTER TRAY**

[75] Inventors: **Michael J. Szablak, Wooster, Ohio; Glen E. Tomblin, Winchester, Va.**

[73] Assignee: **Rubbermaid Incorporated, Wooster, Ohio**

[\*\*] Term: **14 Years**

[21] Appl. No.: **552,609**

[22] Filed: **Jul. 16, 1990**

[52] U.S. Cl. .... **D19/92; D19/86; D19/95**

[58] Field of Search ..... **D7/550, 553, 555; D19/65, 75, 78, 86, 91, 92, 95, 99, 100; 206/555, 449, 503, 215, 557; 211/10, 11, 55, 126, 128; 248/146, 151; 108/92, 93, 101, 111**

[56] **References Cited**

**U.S. PATENT DOCUMENTS**

- D. 158,444 5/1950 Converse .
- D. 188,832 9/1960 Staebell .
- D. 192,036 1/1962 Raymond ..... D7/550
- D. 220,014 2/1971 Rome et al. .... D19/92
- D. 261,904 11/1981 Polhemus .
- D. 267,656 1/1983 Vevirit et al. .... D19/92
- D. 269,017 5/1983 Martin ..... D19/92
- D. 274,066 5/1984 Evenson .
- D. 274,067 5/1984 Evenson .
- D. 284,482 7/1986 Sun ..... D19/92 X
- D. 289,061 3/1987 Klodt .
- D. 294,601 3/1988 Klodt .
- D. 295,638 5/1988 Evenson .
- D. 296,706 7/1988 Evans ..... D19/92
- D. 302,177 7/1989 Evenson .
- D. 302,703 8/1989 Foran et al. .
- D. 309,918 8/1990 Evenson .
- 1,408,026 2/1922 Ochiltree .
- 2,858,016 10/1958 Morano .
- 4,074,810 2/1978 Juergens et al. .
- 4,768,298 9/1988 Polhemus et al. .
- 4,907,703 3/1990 Alger et al. .

**OTHER PUBLICATIONS**

Pages 4, 6, 8, 12, 20, 22, 24, 26 and 30. McDonald Products Corp., 2685 Walden Avenue, Buffalo, New York 14225. Publication date unknown.  
Catalog Page, Park Sherman, a Division of Ketcham &

McDougall, Inc., 465 Eagle Rock Avenue, Roseland, N.J. 07068. Publication date 1987-1988.

Page 12. Eldon Office Products, P.O. Box 22667, Long Beach, Calif. 90801-5667. Publication date unknown.

Sell Sheet. Tenex Corporation, 1850 E. Estes Avenue, Elk Grove Village, Ill. 60007-5471. Publication date unknown.

Page 24. Park Sherman, 465 Eagle Rock Avenue, Roseland, N.J. 07068. Publication date 1985.

Pages 3, 4, 6, 7, 9, 10, 11, 15, 22, 23, 24, 25, 26, 27 and 28. Eldon Office Products, P.O. Box 22667, Long Beach, Calif. 90801-5667. Publication date Jan. 1990.

Page 2. Eldon Office Products, P.O. Box 22667, Long Beach, Calif. 90801-5667. Publication date unknown.

Sell Sheet, Eldon Office Products, P.O. Box 22667, Long Beach, Calif. 90801-5667. Publication date unknown.

Shell Sheet. MicroComputer Accessories, Inc., 5405 Jandy Place, P.O. Box 6911, Los Angeles, Calif. 90066-0911. Publication date Apr. 1989.

Catalog Page, Rubbermaid Incorporated, 1147 Akron Road, Wooster, Ohio 44691. Publication date 1987.

Pages 4, 5, 6, 8 and 10, Rubbermaid Commercial Products Inc., 3124 Valley Avenue, Winchester, Virginia 22601. Publication date 1986.

*Primary Examiner*—Donald P. Walsh

*Assistant Examiner*—Martha Thompson

*Attorney, Agent, or Firm*—Richard B. O'Planick

[57] **CLAIM**

The ornamental design for a letter tray, as shown and described.

**DESCRIPTION**

FIG. 1 is a top, left front perspective view of a letter tray showing our new design;

FIG. 2 is a right side elevational view, the left side being a mirror image thereof;

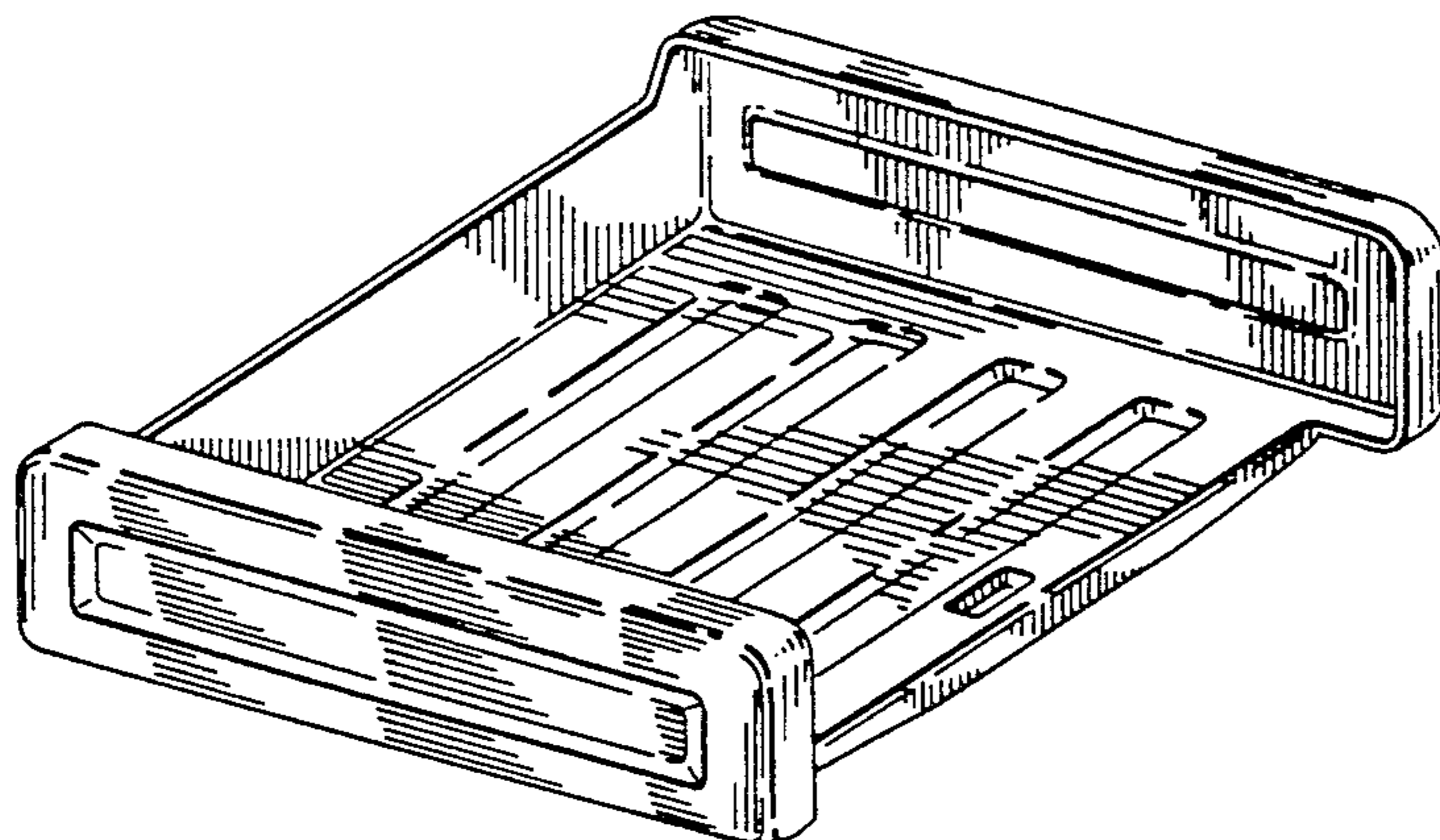
FIG. 3 is a cross-sectional view taken in the direction of arrows 3—3 in FIG. 4;

FIG. 4 is top plan view;

FIG. 5 is a front elevational view;

FIG. 6 is a bottom plan view; and,

FIG. 7 is a rear elevational view thereof.



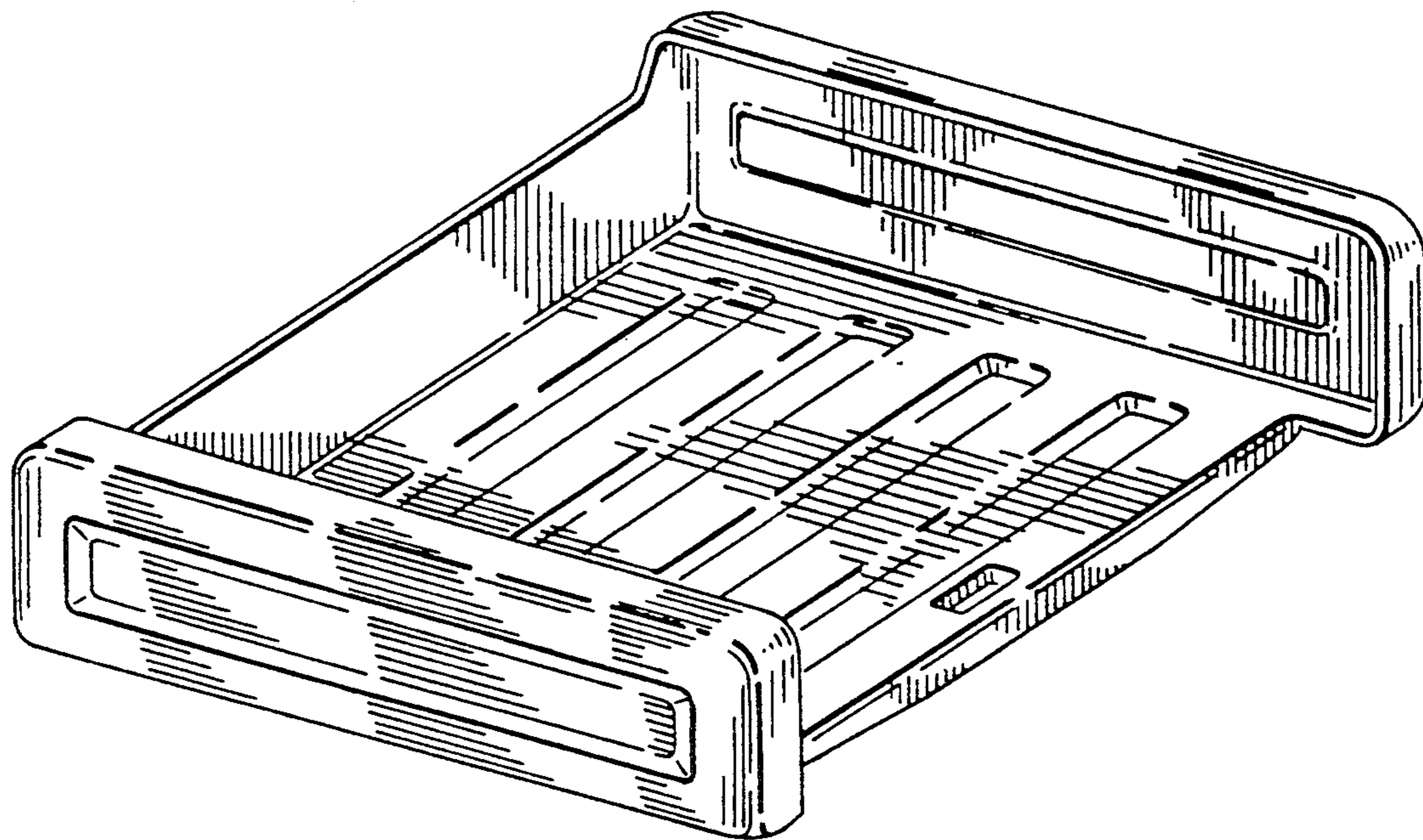


FIG. 1

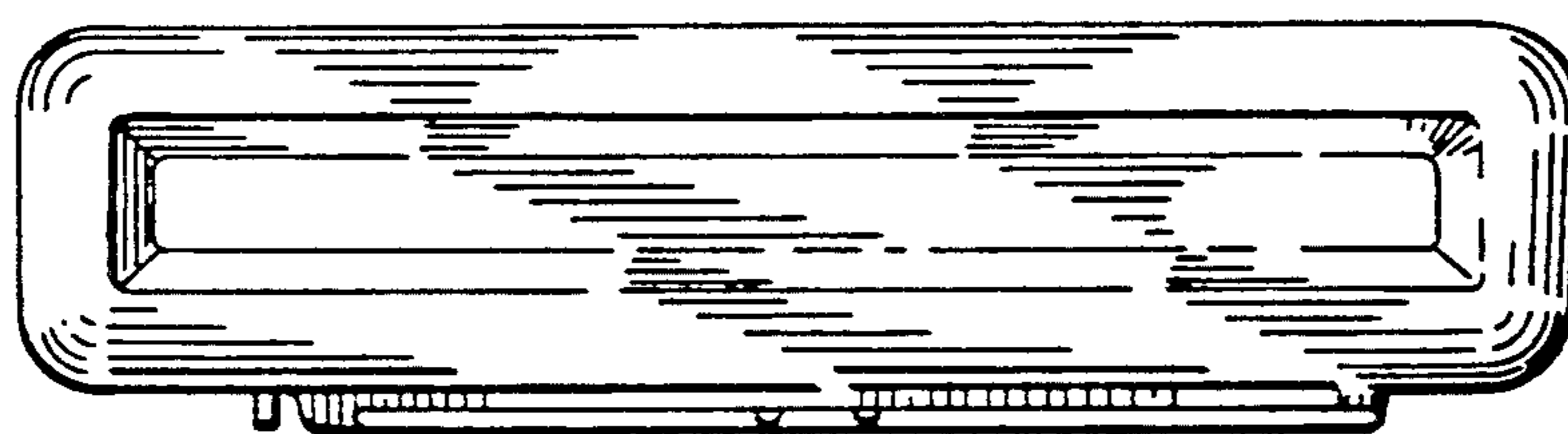


FIG. 2

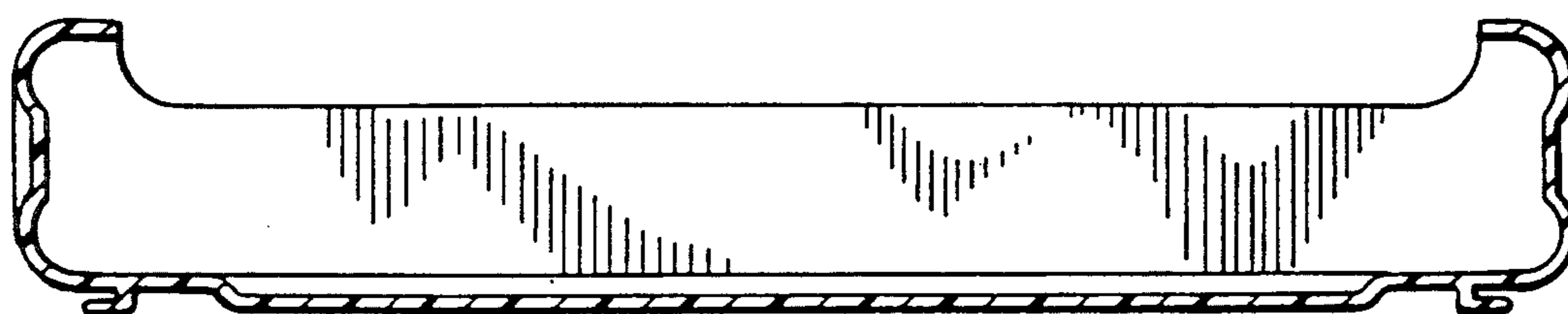


FIG. 3

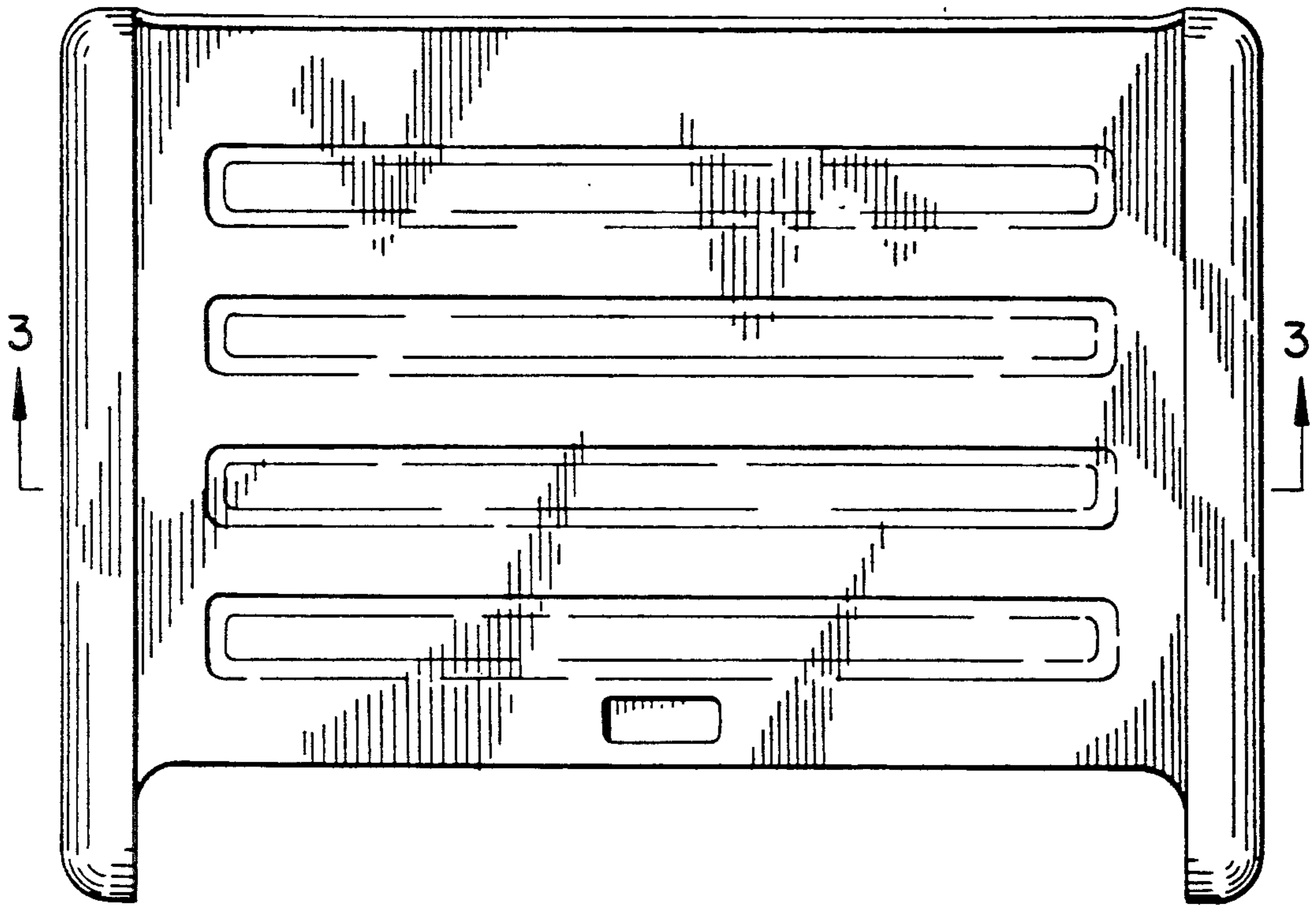


FIG. 4

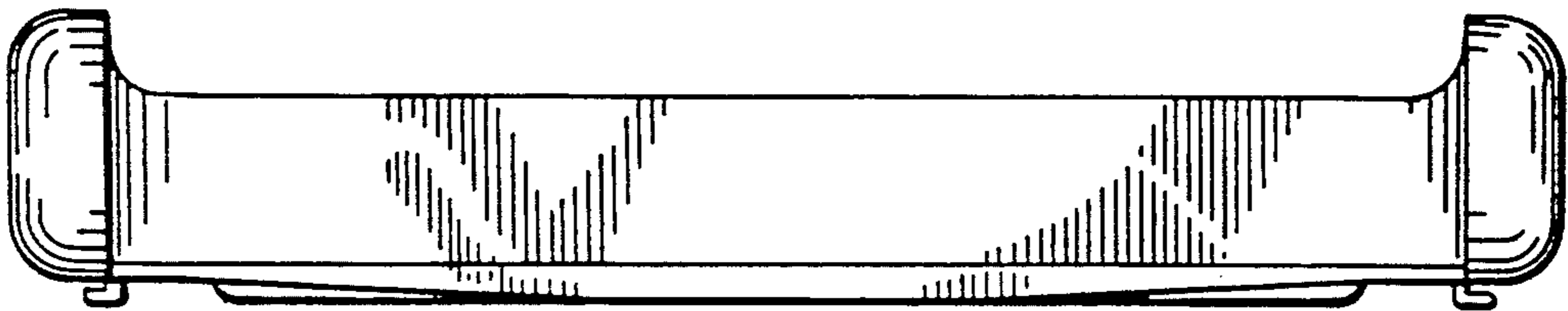


FIG. 5



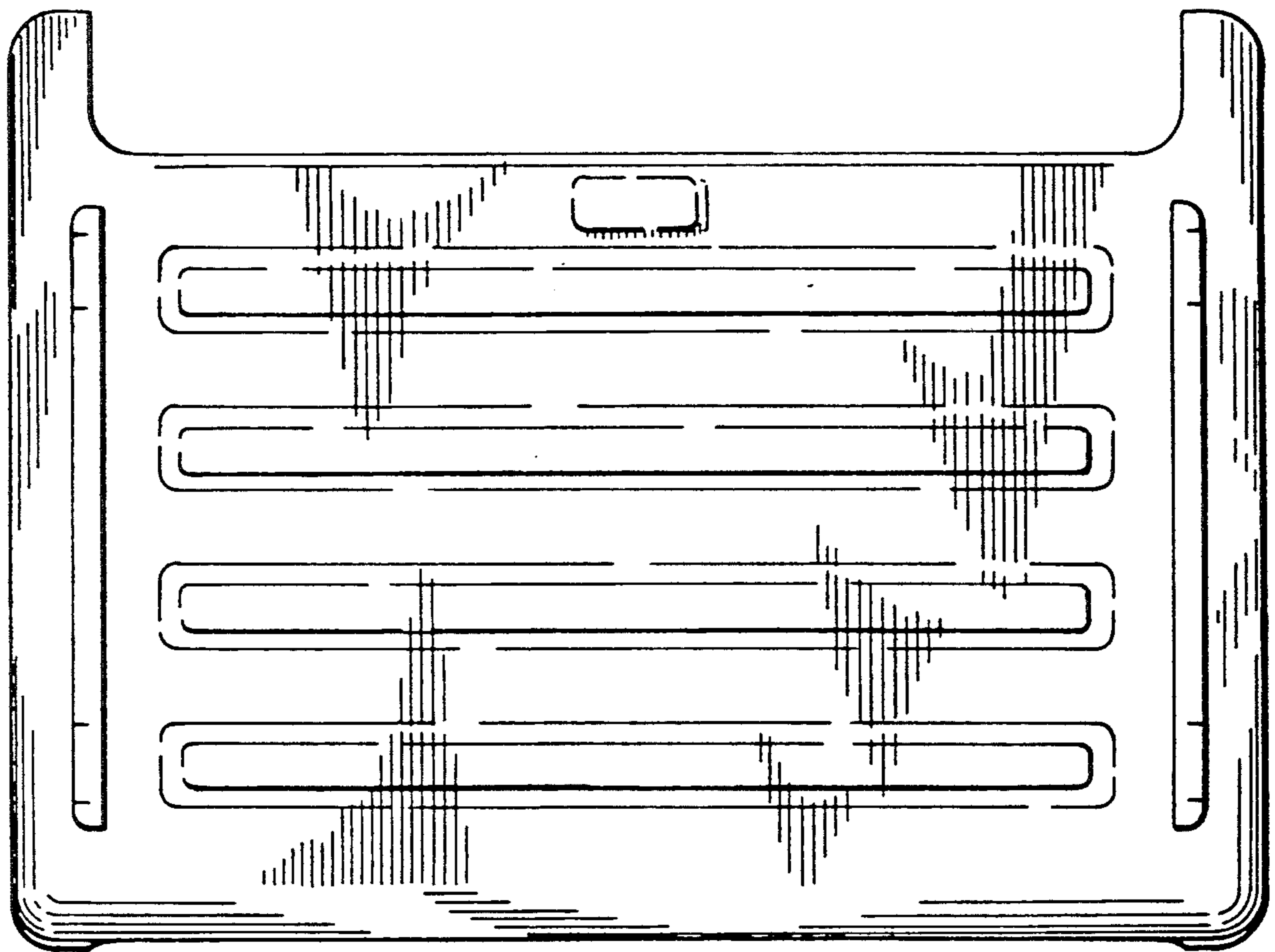


FIG. 6



FIG. 7