



US00D327293S

United States Patent [19]

[11] Patent Number: **Des. 327,293**

Isak

[45] Date of Patent: **** Jun. 23, 1992**

[54] PENCIL CASE

[76] Inventor: **Asher Isak**, PO Box 154, Cote St. Luc, Montreal, Qc, Canada, H4V2Y3

[**] Term: **14 Years**

[21] Appl. No.: **392,848**

[22] Filed: **Aug. 11, 1989**

[52] U.S. Cl. **D19/83; D19/85; D3/74**

[58] Field of Search **D3/30.1, 38, 39, 74; D19/35, 36, 81-85, 78, 99, 100; D14/147; 206/214, 371; 211/69.1-69.9**

[56] **References Cited**

U.S. PATENT DOCUMENTS

- D. 47,350 5/1915 Van Alst D3/74
- D. 199,648 11/1964 Reiner D19/85
- D. 201,715 7/1965 Newlin, Jr. et al. D19/85
- D. 254,435 3/1980 Ferron D14/147

- D. 280,986 10/1985 Kao D14/147
- D. 288,624 3/1987 Hoard D3/74
- D. 291,199 8/1987 Watanabe D14/147
- D. 291,947 9/1987 Nakata D3/74
- D. 306,519 3/1990 Nakata D3/74
- D. 309,983 8/1990 Nakata D19/85 X

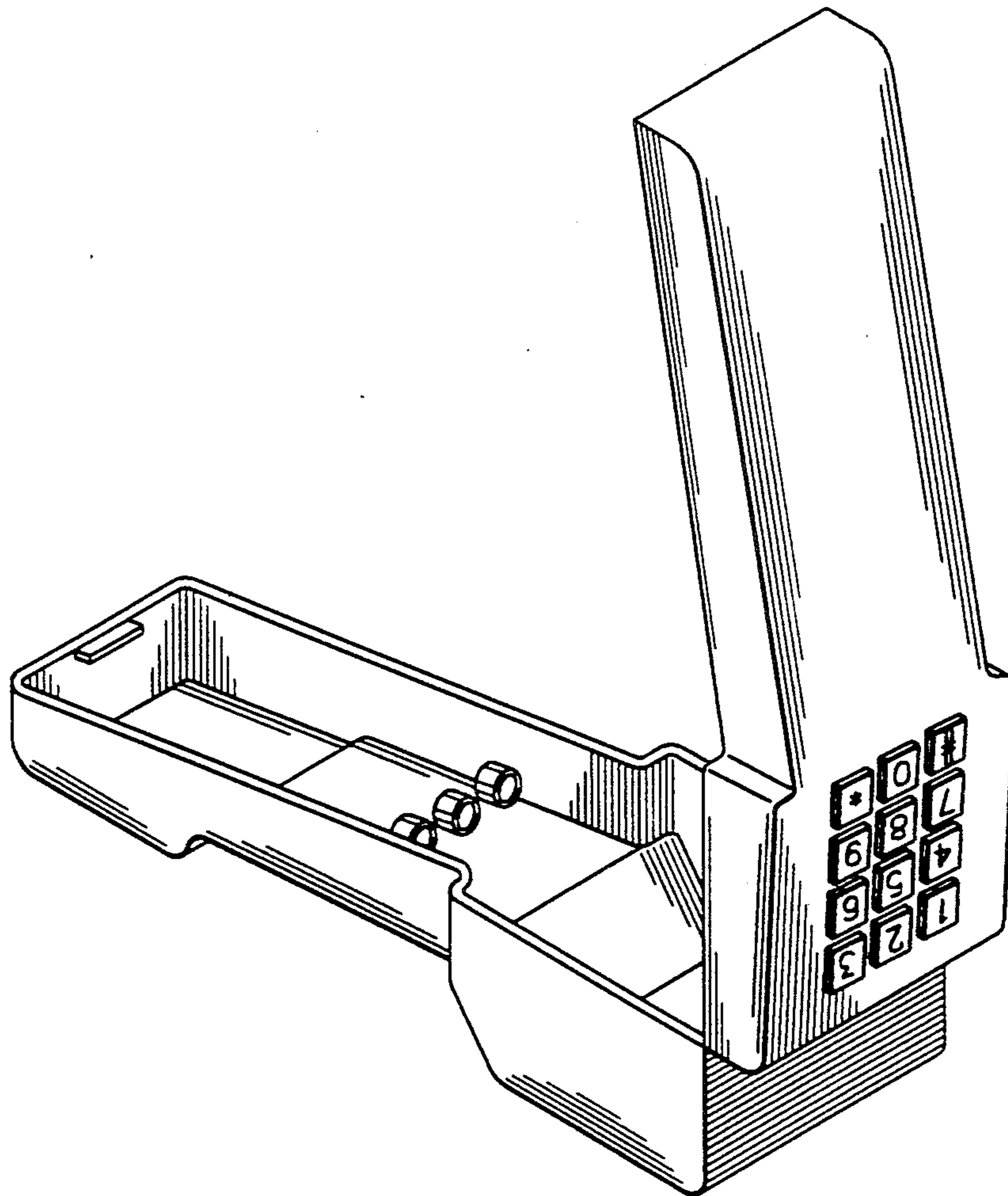
Primary Examiner—Donald P. Walsh
Assistant Examiner—Martha Thompson
Attorney, Agent, or Firm—Leon Gildeen

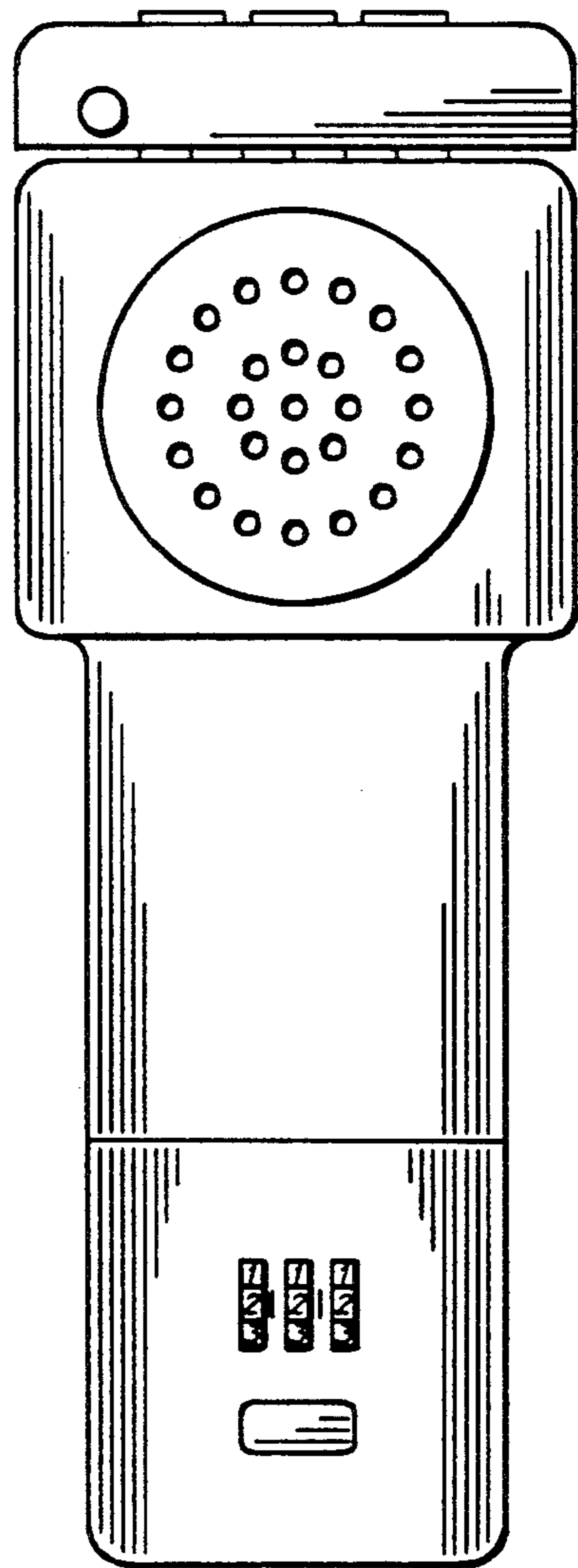
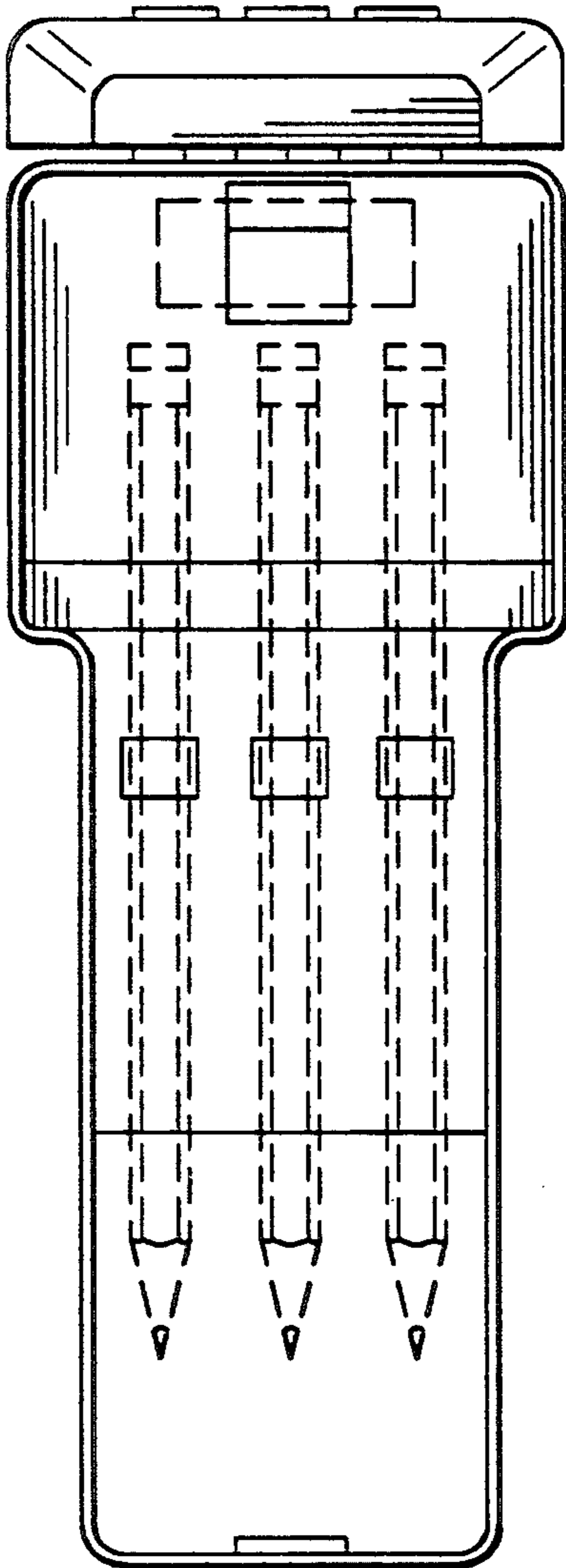
[57] **CLAIM**

The ornamental design for a pencil case, as shown and described.

DESCRIPTION

FIG. 1 is a top plan view of a pencil case showing my new design;
FIG. 2 is a bottom plan view thereof;
FIG. 3 is a right side elevational view thereof;
FIG. 4 is a left side elevational view thereof;
FIG. 5 is a front elevational view thereof;
FIG. 6 is a rear elevational view thereof; and,
FIG. 7 is a top, right rear perspective view thereof.





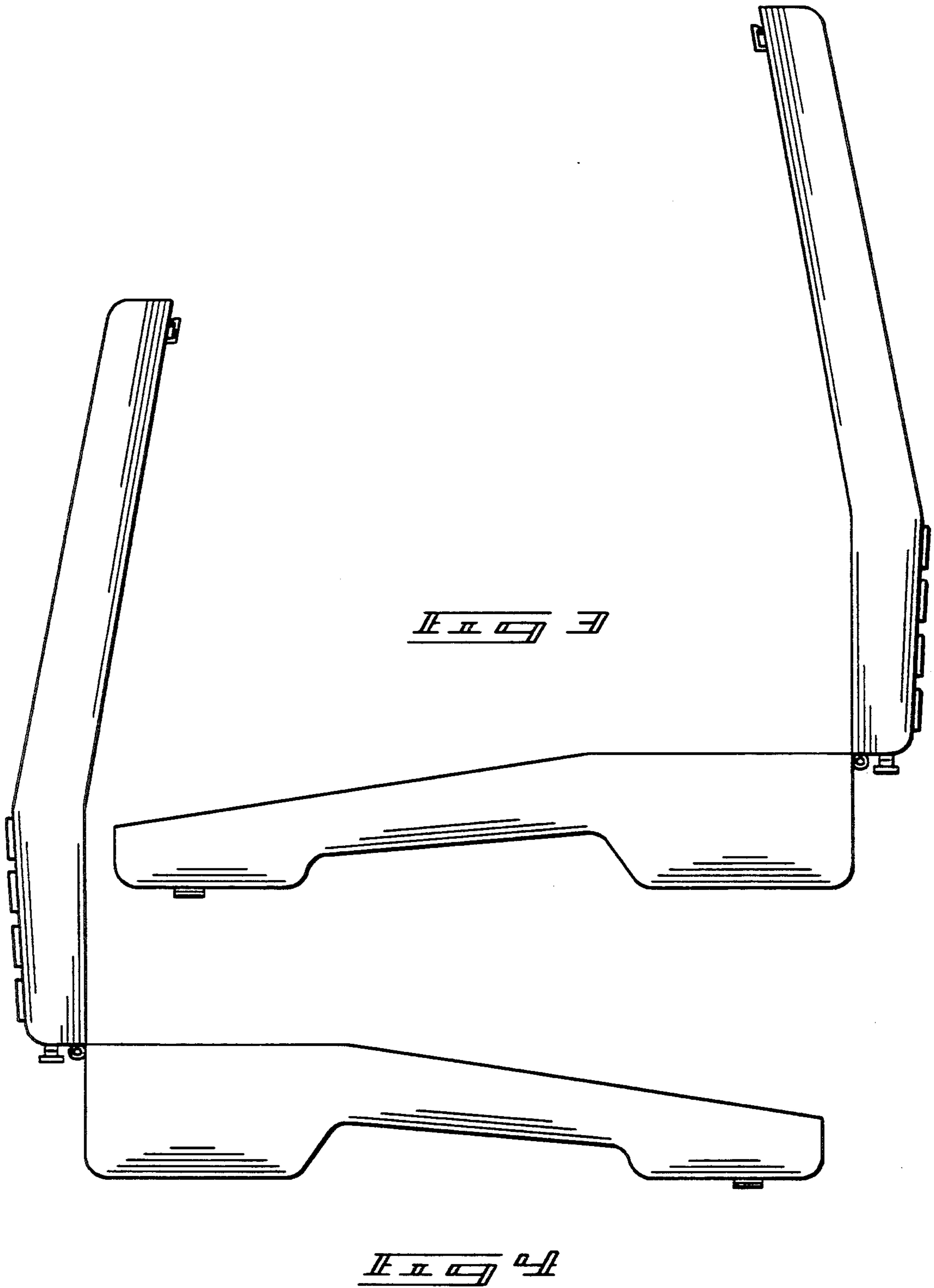


Fig. 1

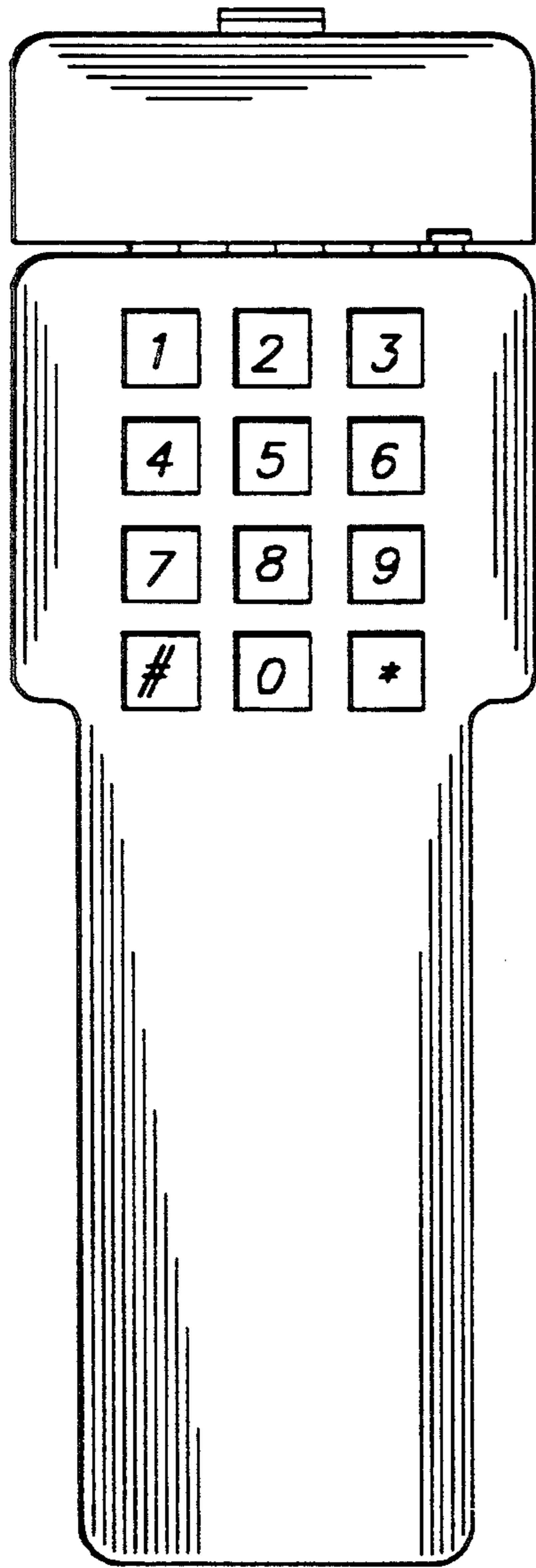
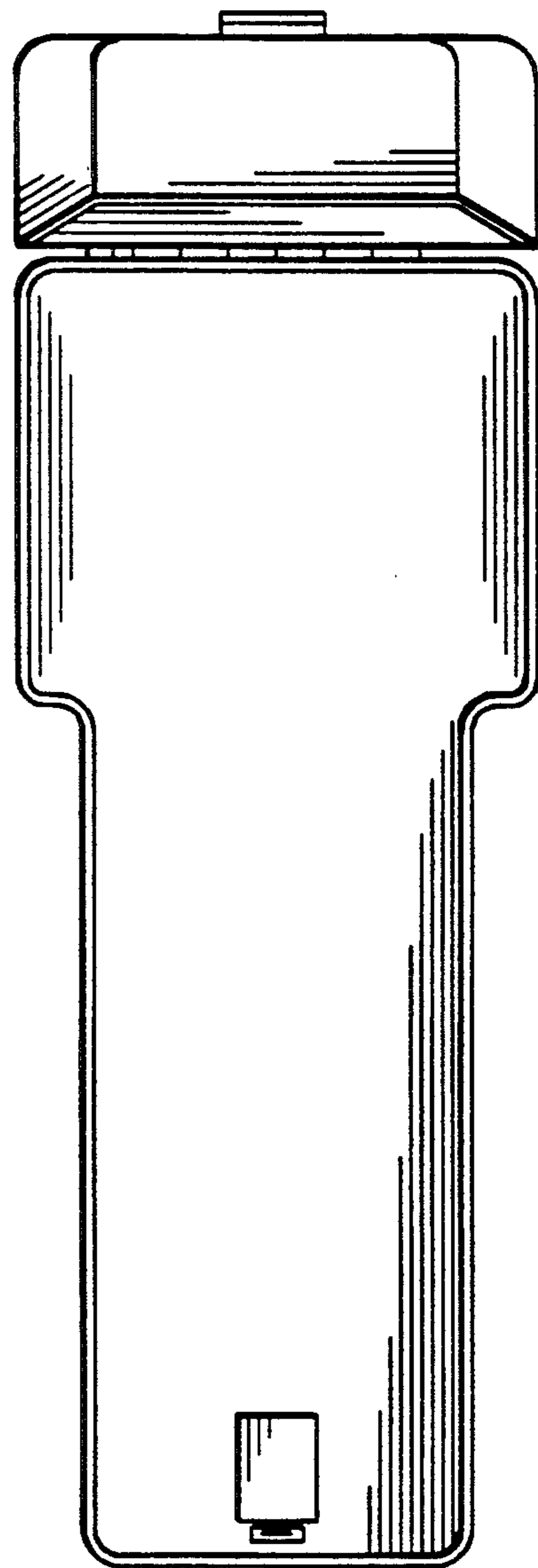


Fig. 2



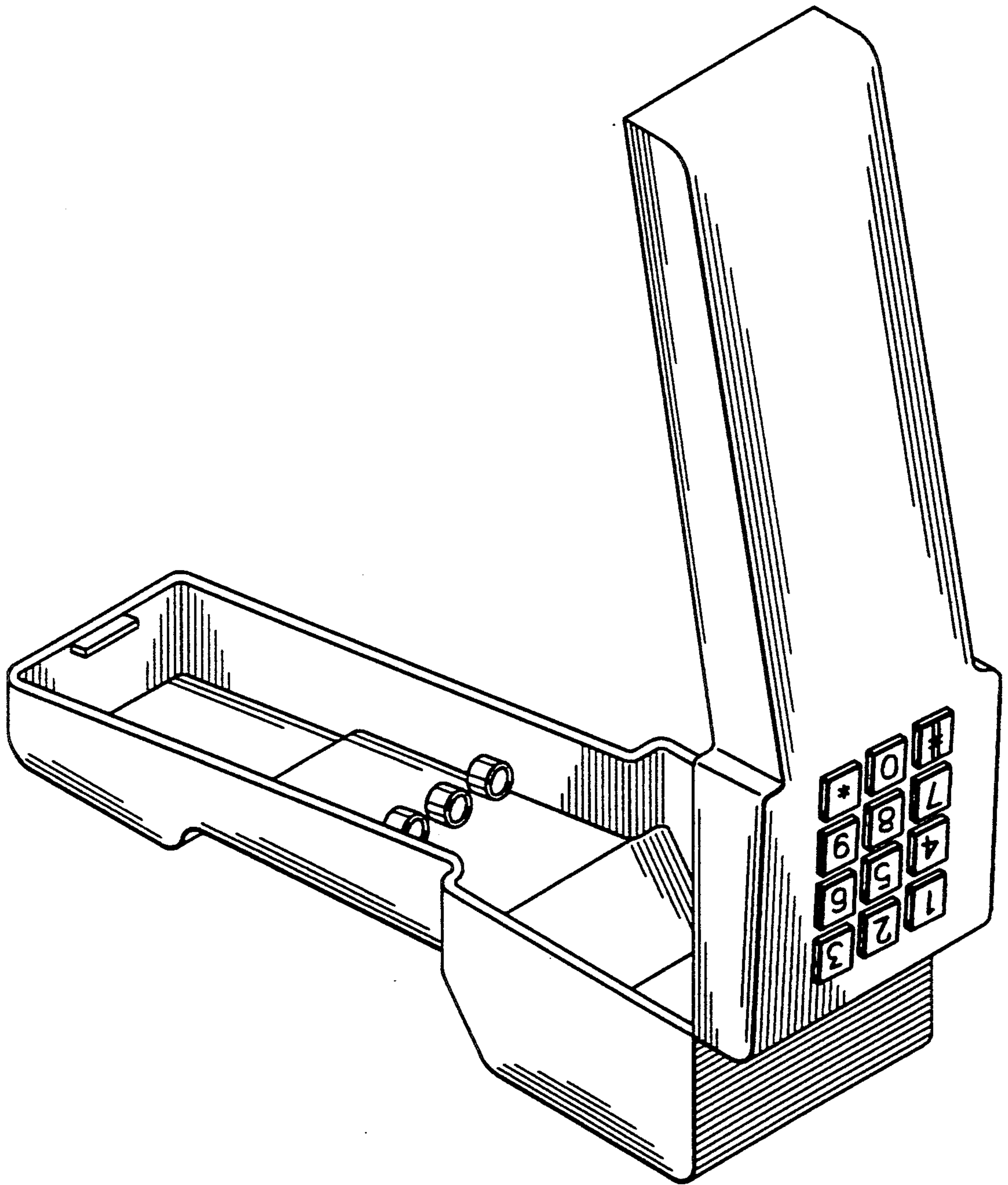


FIG. 4