



US00D327291S

**United States Patent** [19]  
**Bliss, III**

[11] **Patent Number: Des. 327,291**

[45] **Date of Patent: \*\* Jun. 23, 1992**

[54] **INK JET CARTRIDGE**

[75] **Inventor: Henry M. Bliss, III, Marblehead, Mass.**

[73] **Assignee: Dataproducts Corporation, Woodland Hills, Calif.**

[\*\*] **Term: 14 Years**

[21] **Appl. No.: 692,069**

[22] **Filed: Apr. 26, 1991**

**Related U.S. Application Data**

[63] Continuation of Ser. No. 919,306, Oct. 15, 1986, abandoned.

[52] **U.S. Cl. .... D18/56; D18/12**

[58] **Field of Search ..... D18/22, 40; 346/75, 346/14 DR**

[56] **References Cited**

**U.S. PATENT DOCUMENTS**

D. 239,057	3/1976	Utzinger .....	D18/22
4,156,244	5/1979	Erikson .....	346/75
4,530,611	7/1985	Borcenk .....	346/75
4,607,261	8/1986	McCann .....	346/75

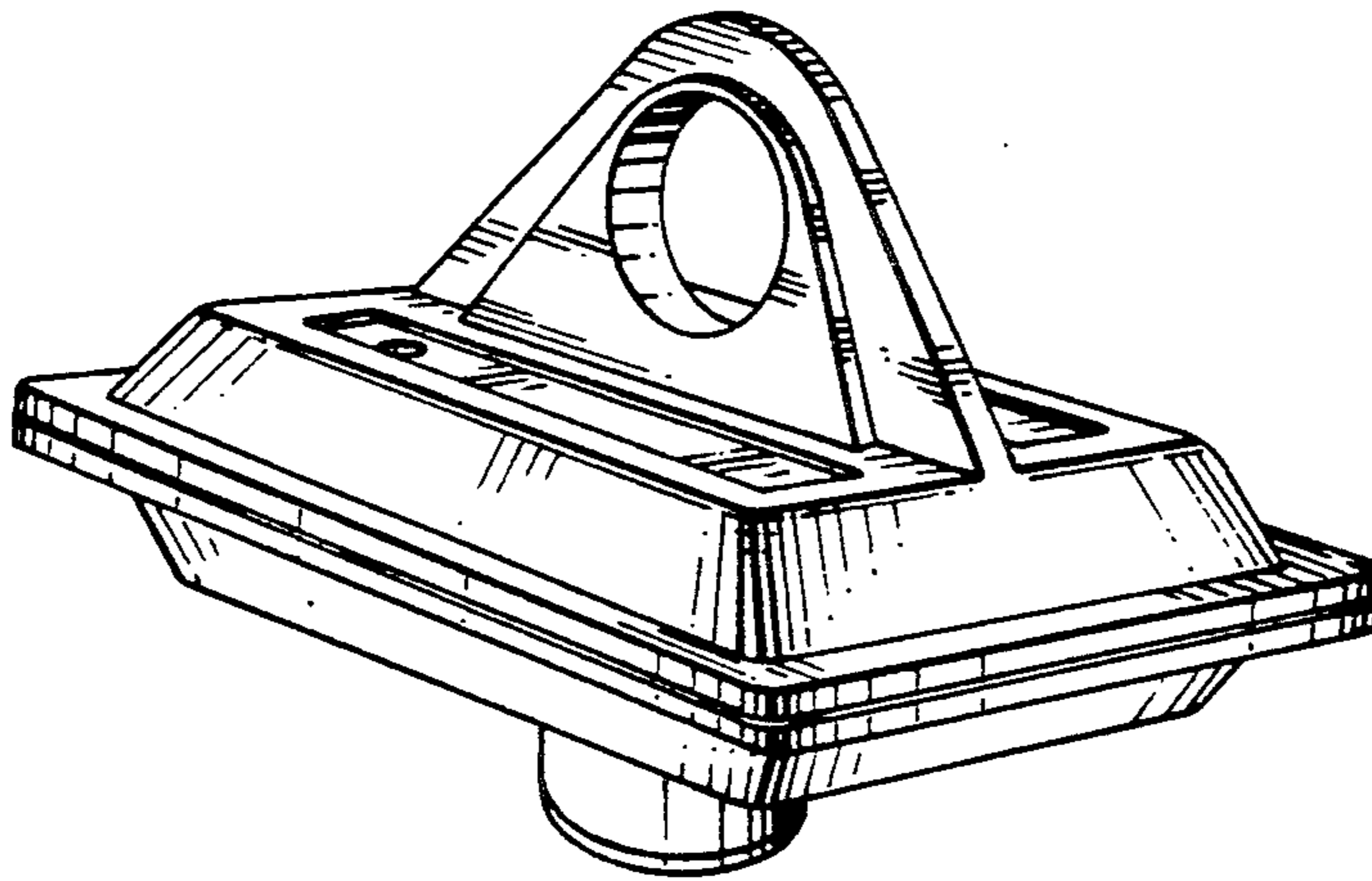
*Primary Examiner*—Donald P. Walsh  
*Assistant Examiner*—Caron D. Veynar  
*Attorney, Agent, or Firm*—Spensley Horn Jubas & Lubitz

[57] **CLAIM**

The ornamental design for an ink jet cartridge, as shown and described.

**DESCRIPTION**

FIG. 1 is a top, front perspective view of an ink jet cartridge showing my new design; FIG. 2 is a top plan view thereof; and, FIG. 3 is a bottom plan view thereof.



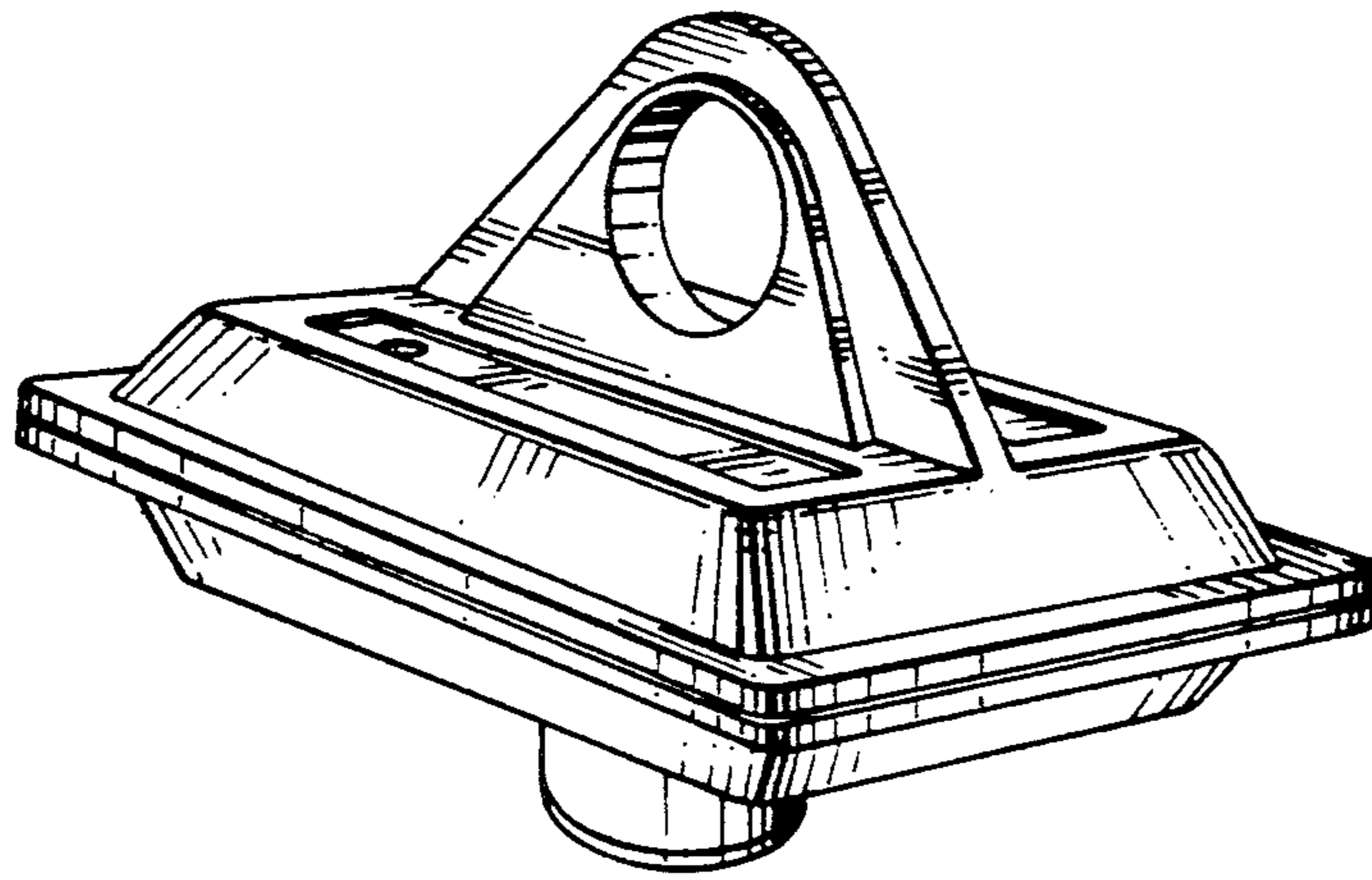


FIG. 1

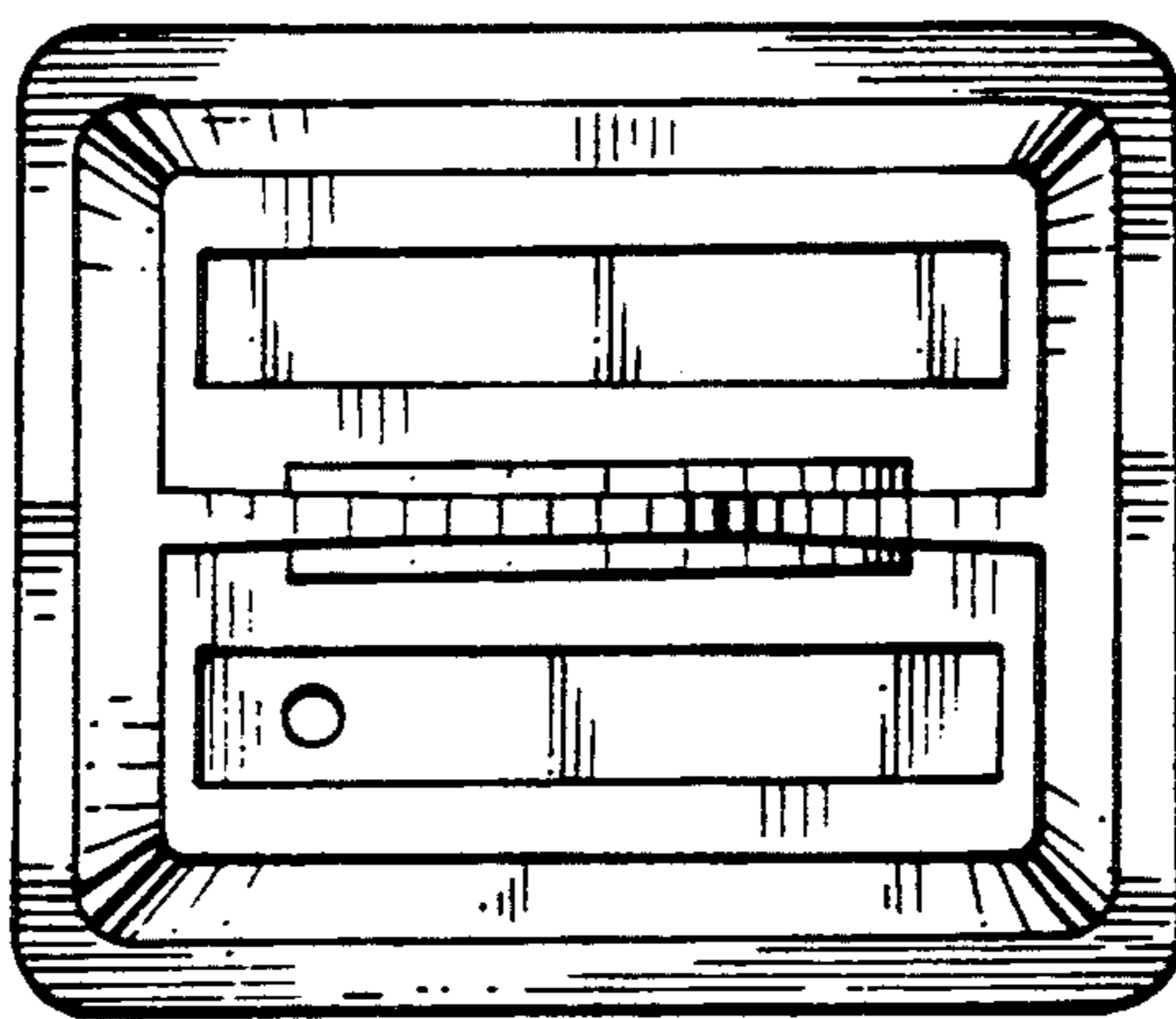


FIG. 2

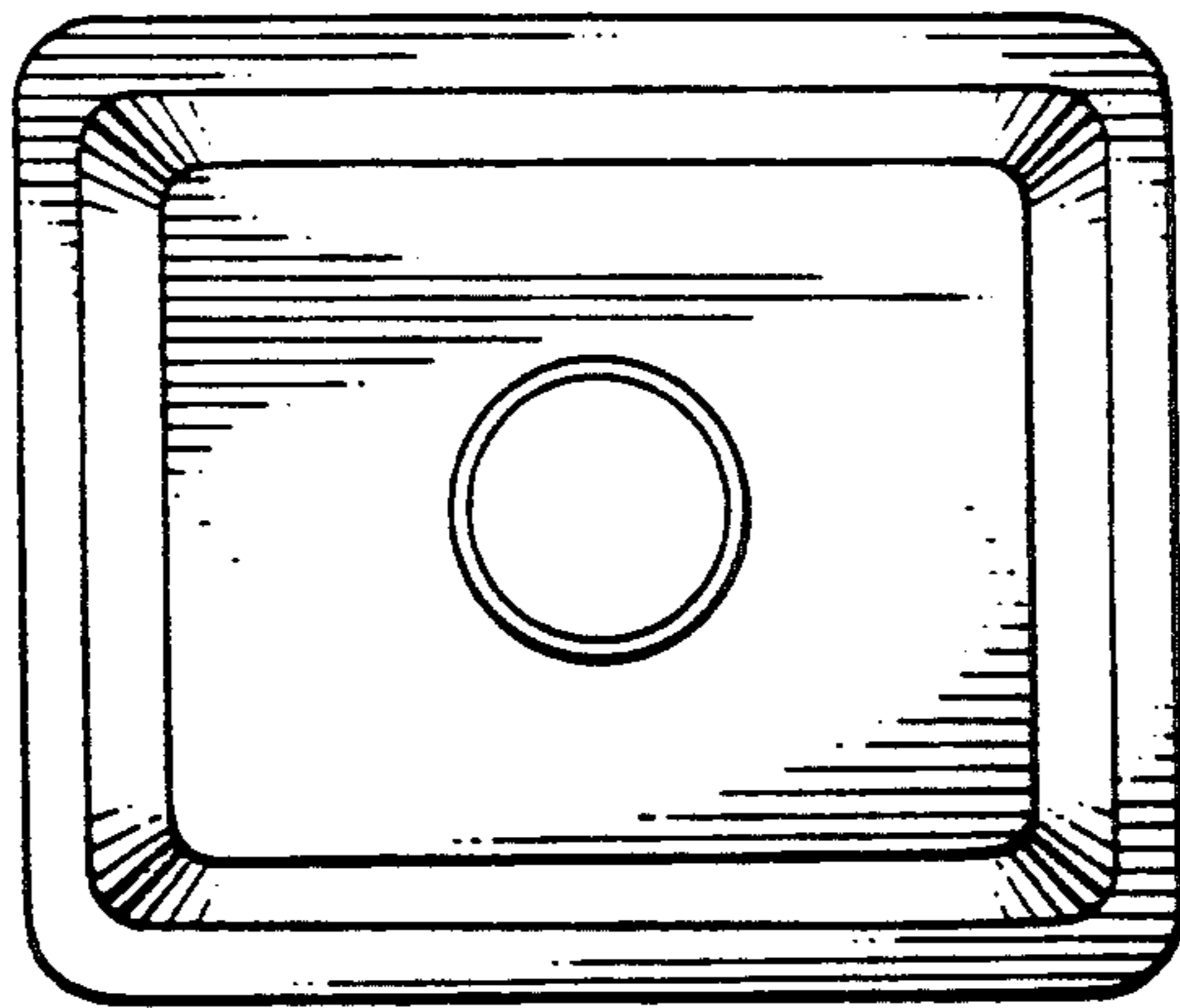


FIG. 3