



US00D327290S

# United States Patent [19]

[11] Patent Number: Des. 327,290

Phillips

[45] Date of Patent: \*\* Jun. 23, 1992

[54] OPTICAL IMAGE BAR FOR AN ELECTROPHOTOGRAPHIC PRINTER

4,829,321 5/1989 Iizuka et al. .... 346/107 R

[75] Inventor: Norman J. Phillips, Penn Hills, Pa.

[73] Assignee: Westinghouse Electric Corp., Pittsburgh, Pa.

[\*\*] Term: 14 Years

[21] Appl. No.: 636,972

[22] Filed: Dec. 31, 1990

[52] U.S. Cl. .... D18/56

[58] Field of Search ..... 346/107 R, 108, 160, 346/76 PH, 155; 271/10; D18/40, 56-58; 400/121; 355/1; 101/333, 334, 97-98, 101

[56] References Cited

U.S. PATENT DOCUMENTS

4,025,178	5/1977	Yokozawa et al. ....	271/10
4,535,341	8/1985	Kun et al. ....	346/107 R
4,549,784	10/1985	Inokuchi ....	355/1
4,633,271	12/1986	Segawa et al. ....	346/107 R
4,660,053	4/1987	Tsutsumi et al. ....	346/76 PH
4,703,334	10/1987	Mochimaru et al. ....	346/160
4,709,632	12/1987	Samuels et al. ....	400/121
4,734,714	3/1988	Takasu et al. ....	346/107 R
4,734,723	3/1988	Ishitobi ....	346/160
4,821,051	4/1989	Hediger ....	346/160

OTHER PUBLICATIONS

Westinghouse Electronic Systems Group Scientific Paper; Jan. 16, 1991; p. 15; Exhibits B & C.

Primary Examiner—A. Hugo Word

Assistant Examiner—Cathy Anne MacCormac

Attorney, Agent, or Firm—John K. Williamson; David G. Maire

[57] CLAIM

The ornamental design for an optical image bar for an electrophotographic printer, as shown and described.

DESCRIPTION

FIG. 1 is an enlarged partial perspective view of an optical image bar for an electrophotographic printer shown in FIG. 2;

FIG. 2 is a top plan view of an optical image bar for an electrophotographic printer showing my new design;

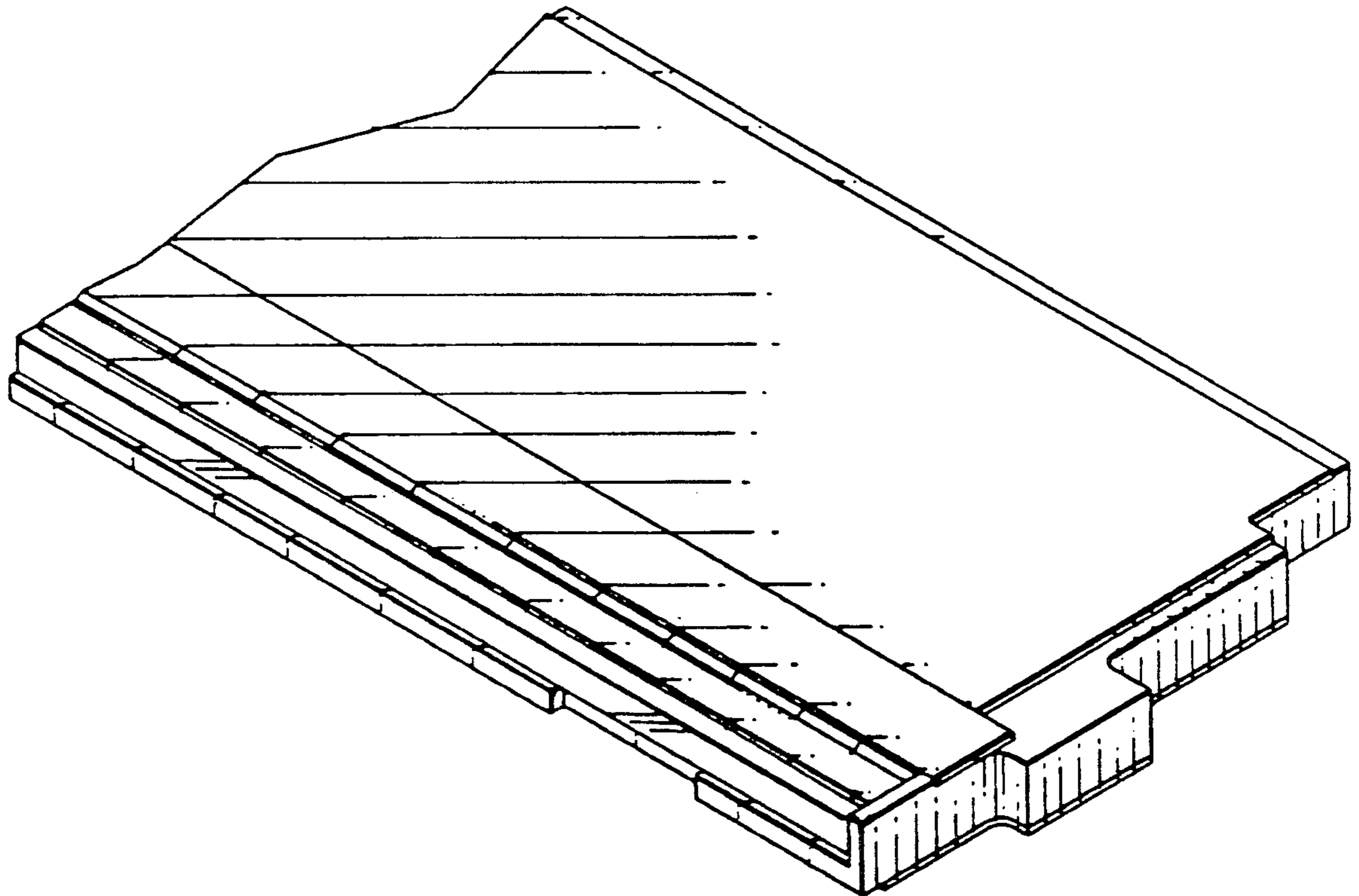
FIG. 3 is a front elevational view thereof;

FIG. 4 is a side elevational view thereof, the opposite side being a mirror image of the side shown;

FIG. 5 is a rear elevational view thereof; and,

FIG. 6 is a bottom plan view thereof.

FIGS. 2, 3, 5 and 6 are broken away to show indeterminate length.



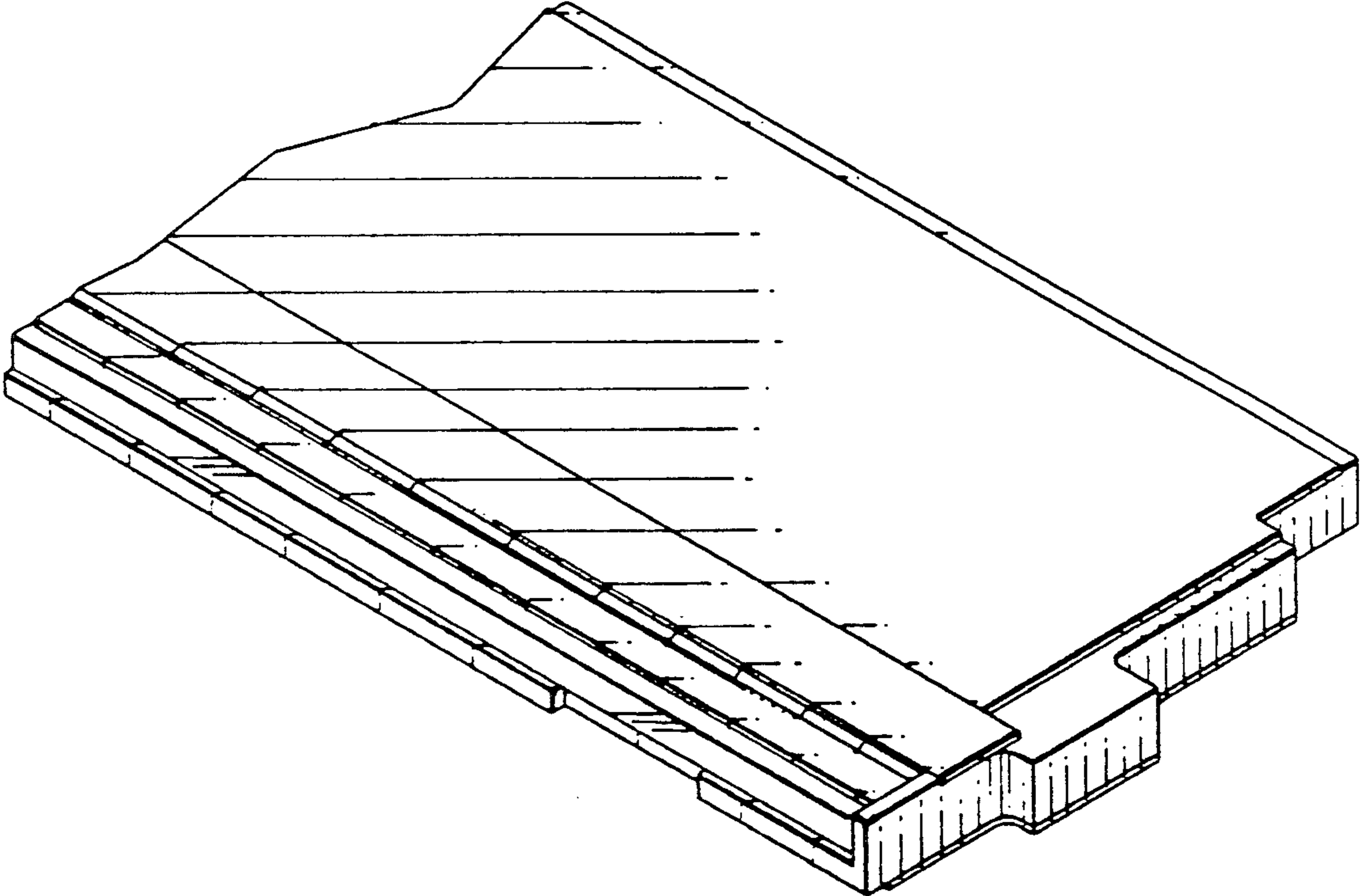


FIG. 1

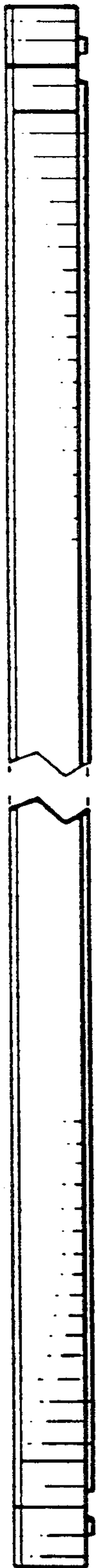


FIG. 5

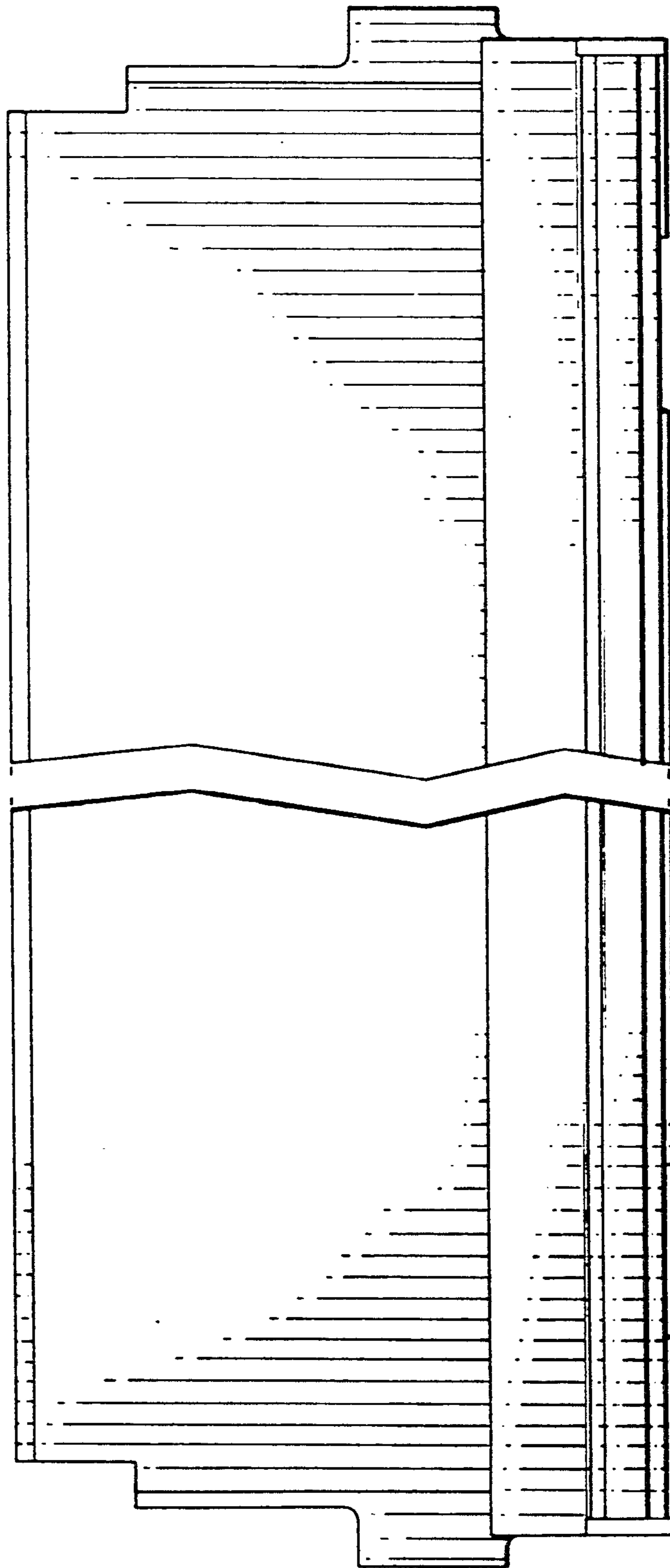


FIG. 2



FIG. 3



FIG. 4

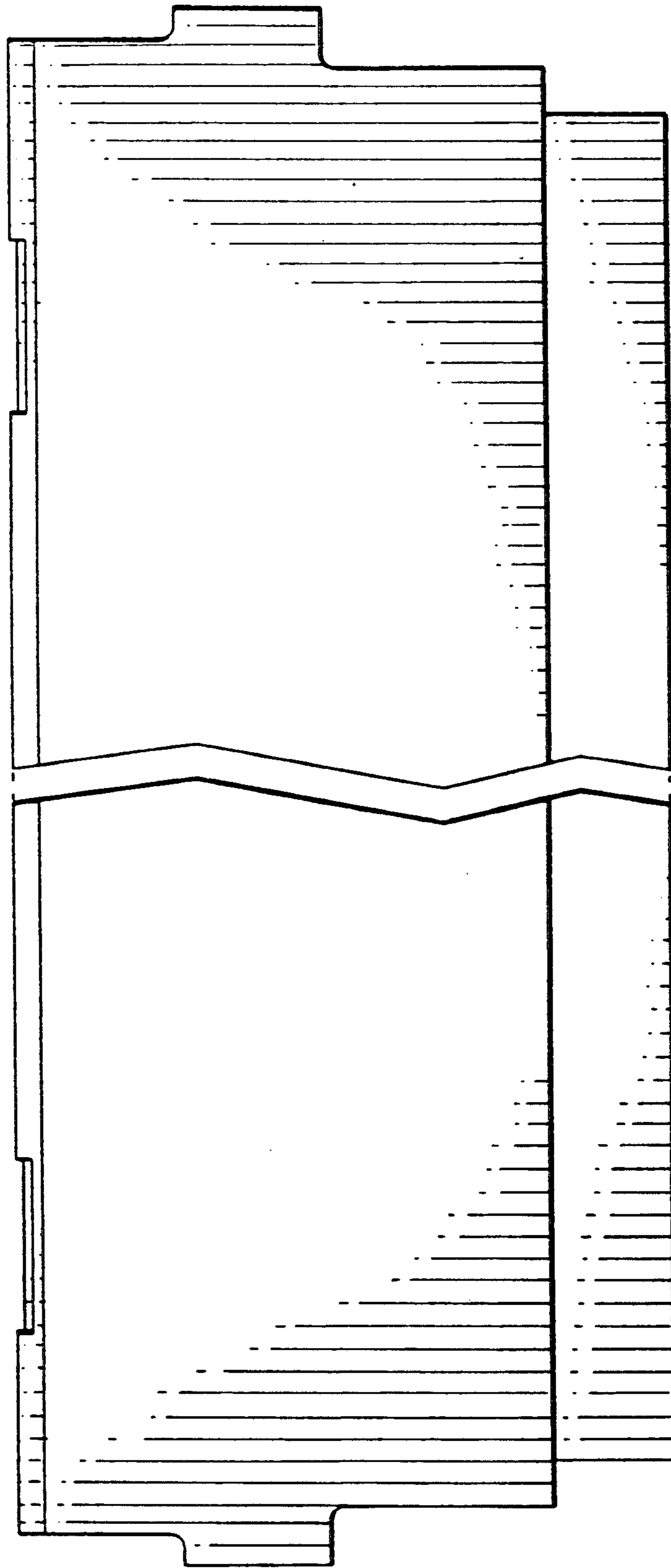


FIG. 6