



US00D327287S

United States Patent [19]

[11] Patent Number: **Des. 327,287**

Fukuda et al.

[45] Date of Patent: **** Jun. 23, 1992**

[54] GRIP FOR A VIDEO CAMERA

4,097,883	6/1978	Adamski et al.	354/293
4,545,660	10/1985	Rudolf	354/82
4,600,284	7/1986	Kondoh et al.	352/243

[75] Inventors: Hiroshi Fukuda; Takao Ina, both of Kanagawa, Japan

Primary Examiner—Bernard Ansher
Assistant Examiner—Adir Aronovich
Attorney, Agent, or Firm—Young & Thompson

[73] Assignee: Fuji Photo Film Co., Ltd., Kanagawa, Japan

[**] Term: 14 Years

[57] CLAIM

[21] Appl. No.: 521,563

The ornamental design for a grip for a video camera, as shown and described.

[22] Filed: May 10, 1990

DESCRIPTION

[30] Foreign Application Priority Data

Jan. 31, 1990 [JP] Japan 2-2709

[52] U.S. Cl. **D16/243**

[58] Field of Search D16/237, 242, 243, 245;
224/270, 271, 908; 294/139; 248/171, 176, 177,
187; 354/81, 82, 293; 358/229, 906, 909

FIG. 1 is a bottom perspective view of a grip for a video camera showing our new design;
 FIG. 2 is a left side elevational view thereof;
 FIG. 3 is a right side elevational view thereof;
 FIG. 4 is a bottom plan view thereof;
 FIG. 5 is a top plan view thereof;
 FIG. 6 is a side elevational view thereof;
 FIG. 7 is a side elevational view opposite of that shown in FIG. 6;
 FIG. 8 is a bottom perspective view thereof, the grip being in an unfolded position; and,
 FIG. 9 is a bottom perspective view, the legs being in an extended position.

[56] References Cited

U.S. PATENT DOCUMENTS

D. 196,010	8/1963	Kubnick	D16/243
D. 311,198	10/1990	Kosugi et al.	D16/243
2,617,142	11/1952	Cadwell et al.	294/139

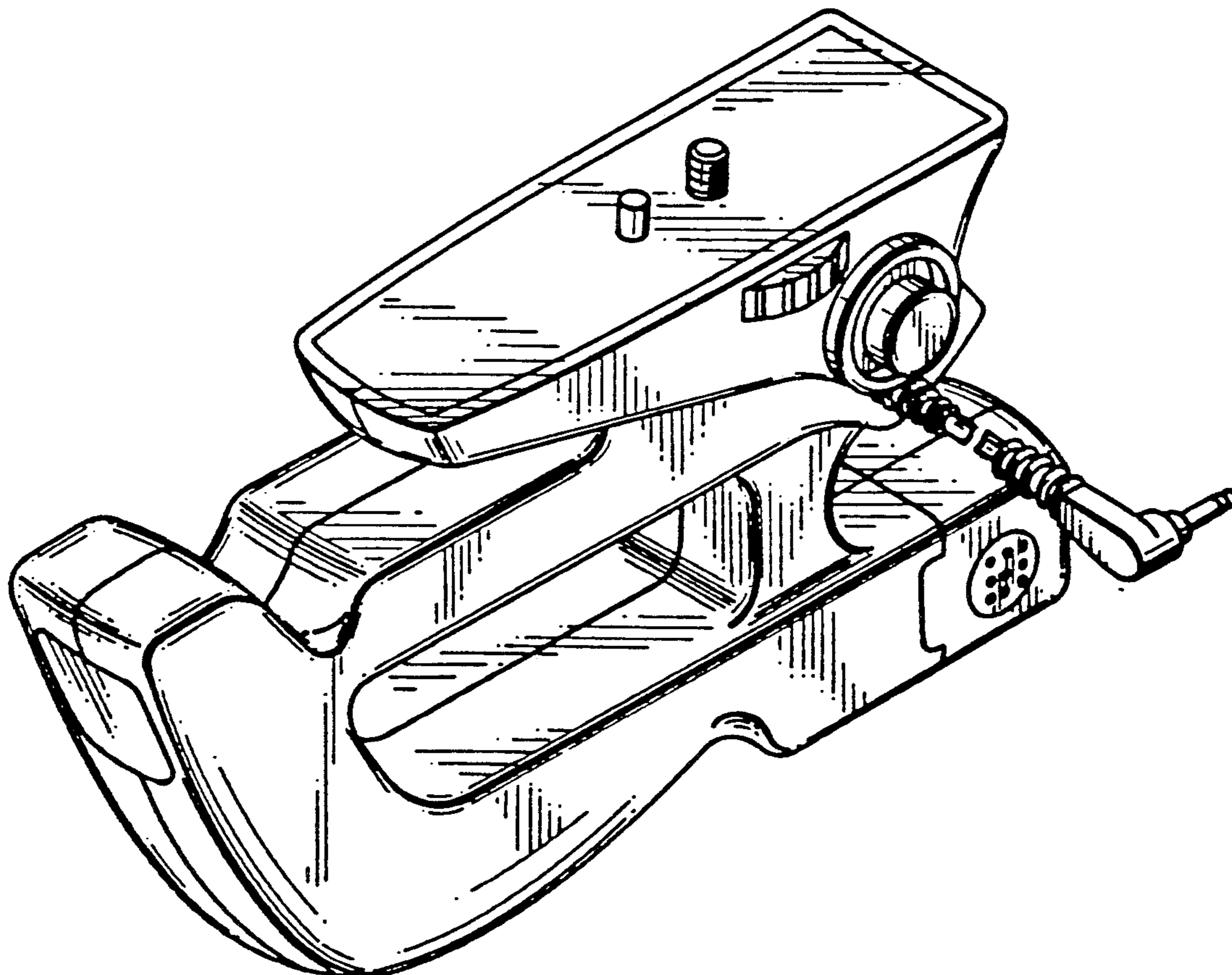


FIG. 1

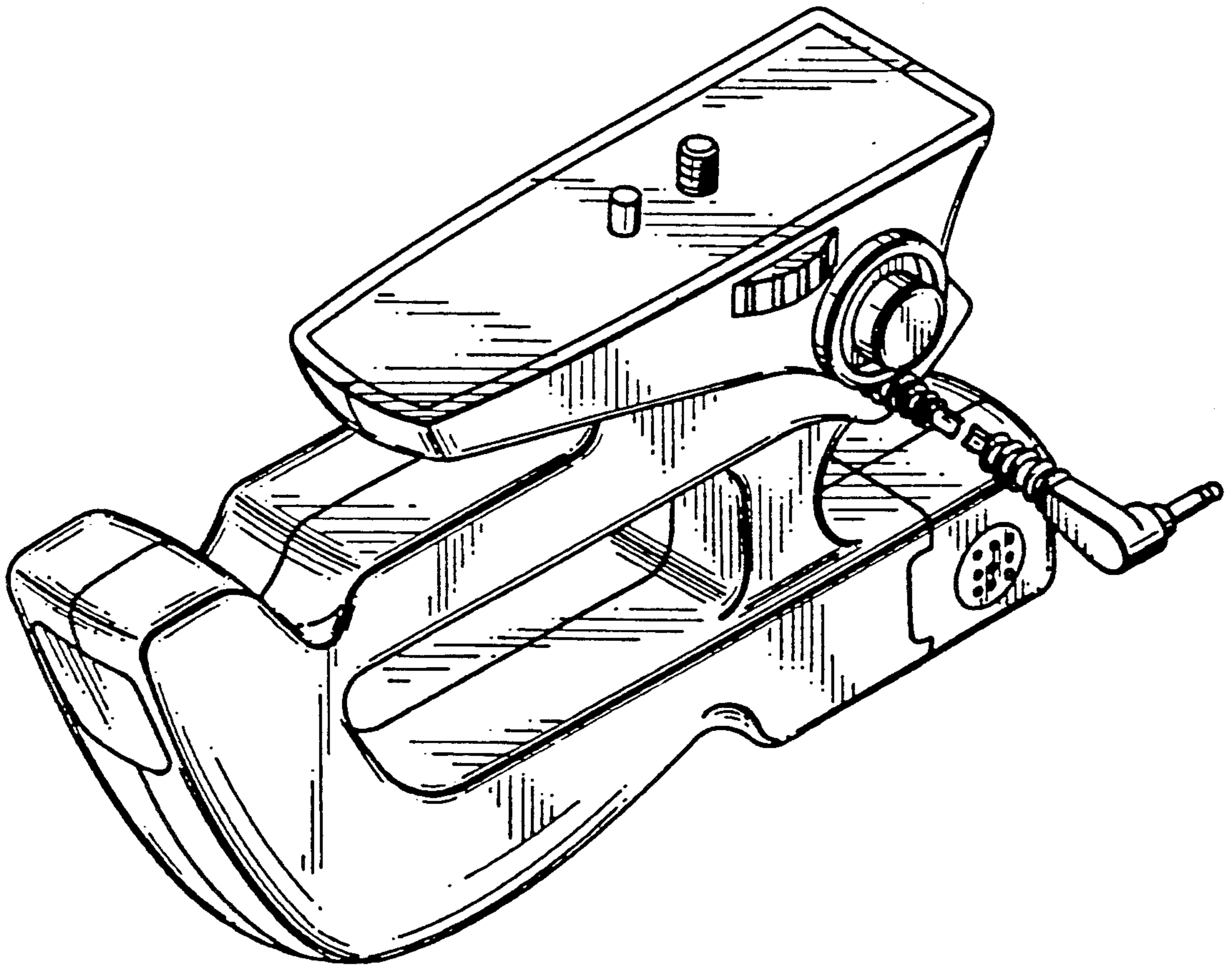


FIG. 2

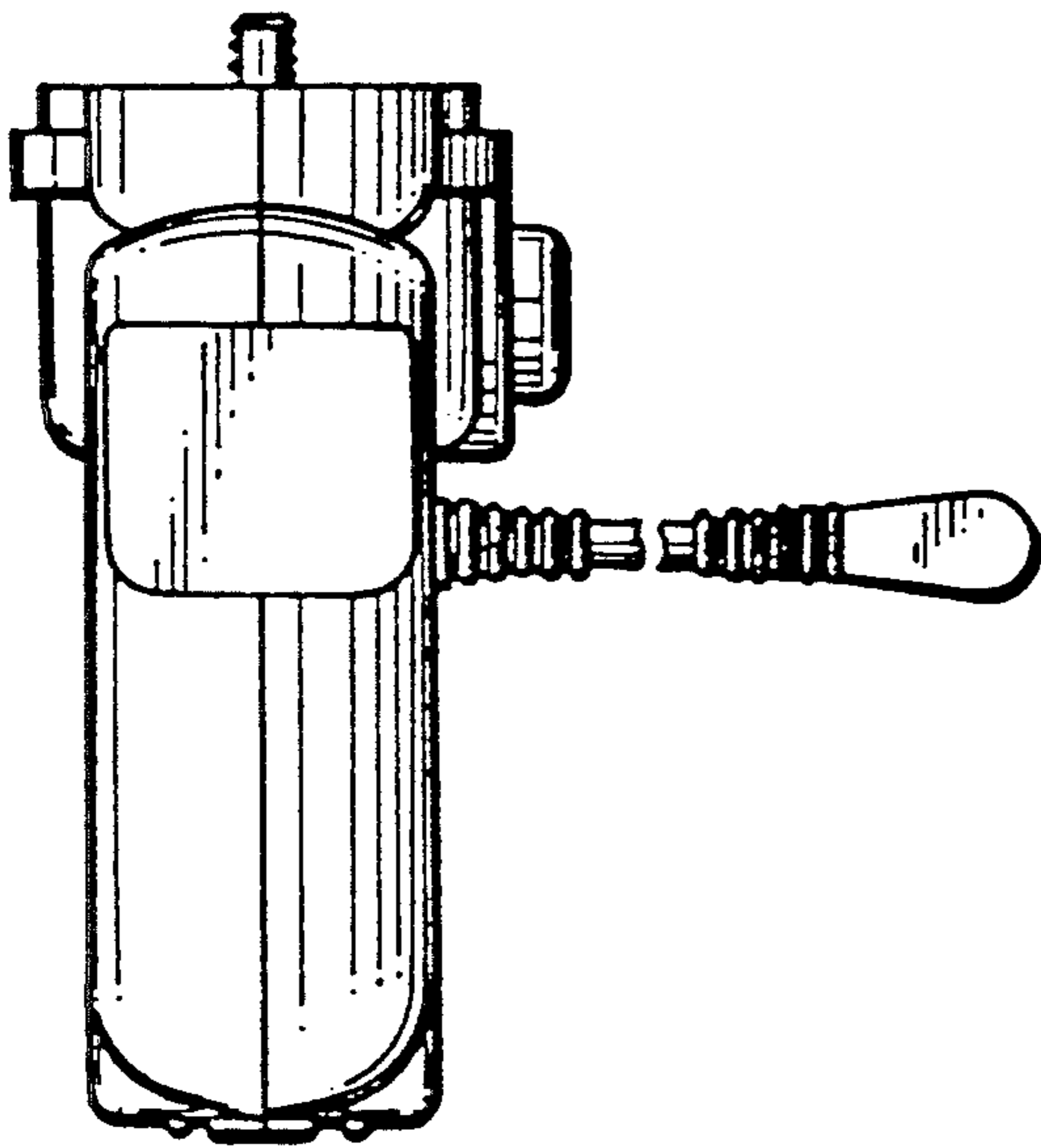


FIG. 3

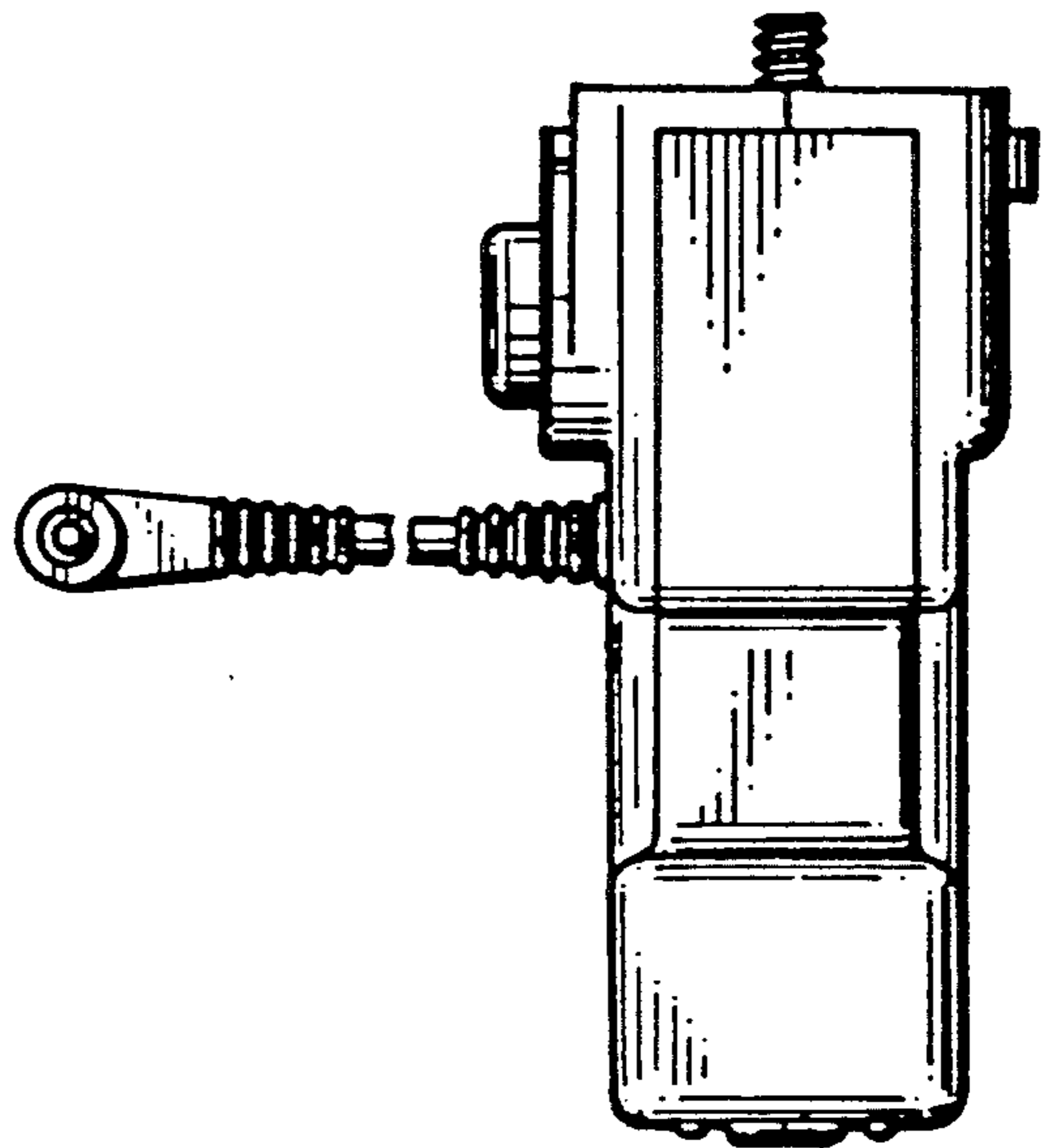


FIG. 4

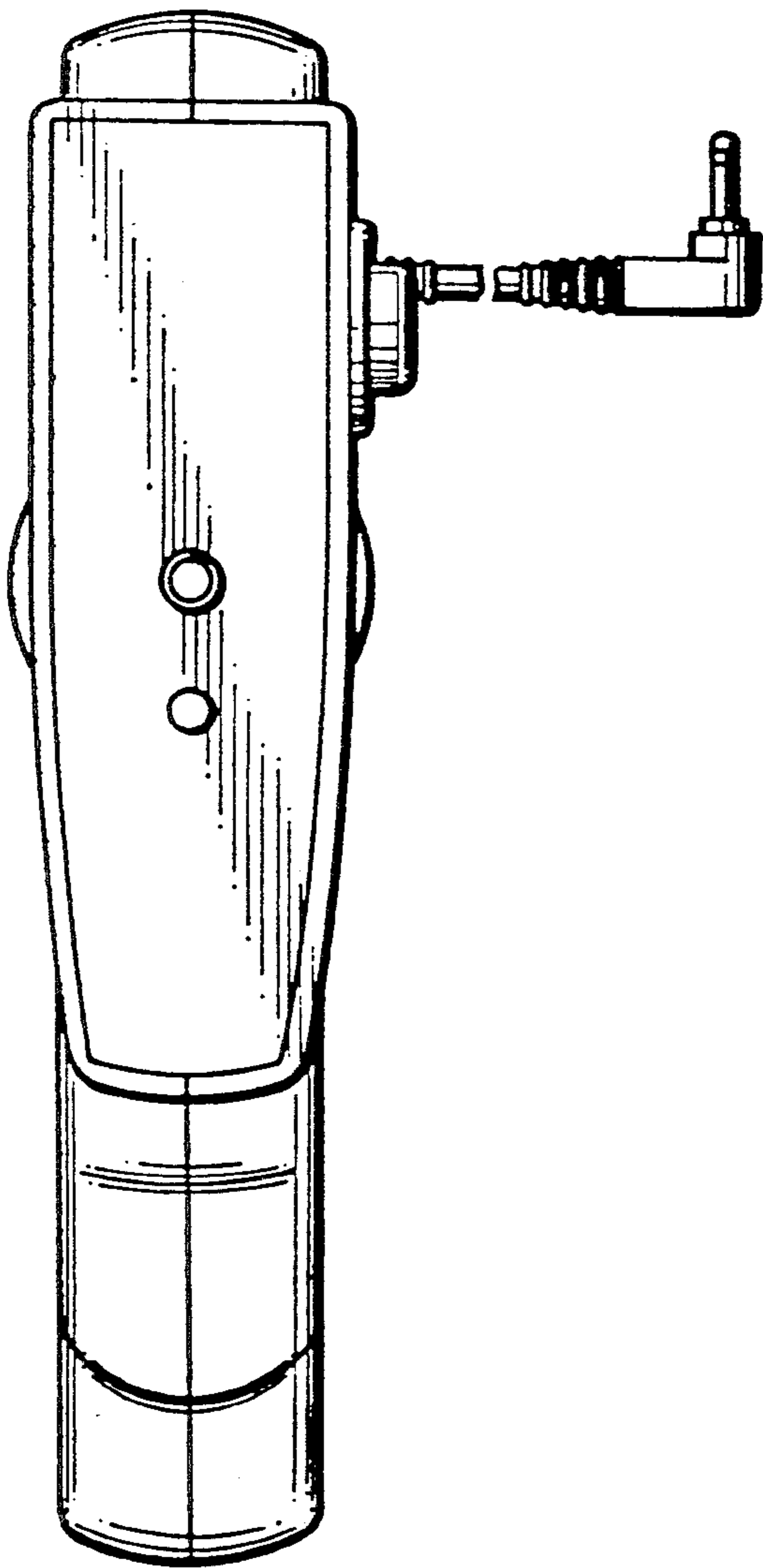


FIG. 5

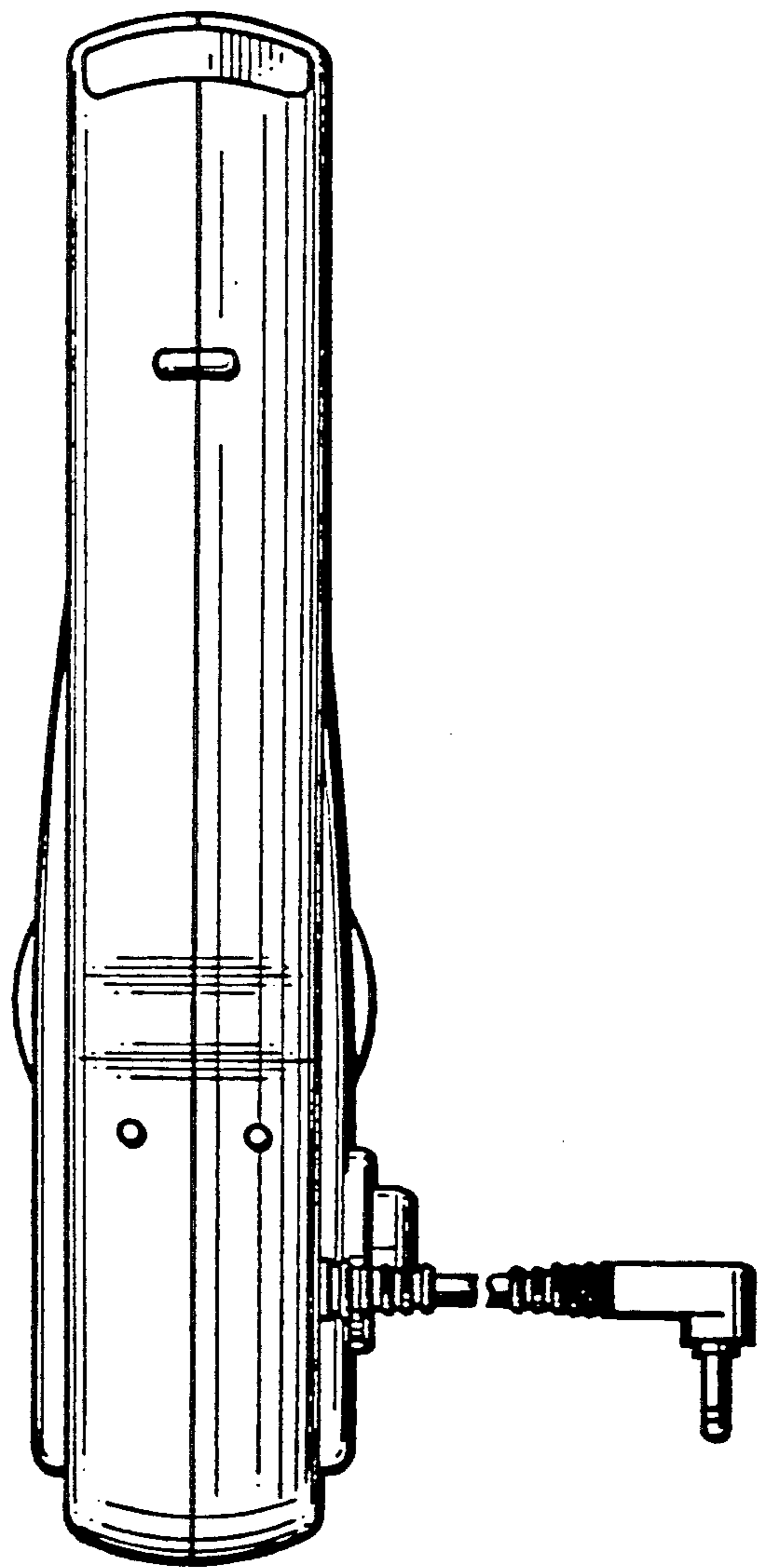


FIG. 6

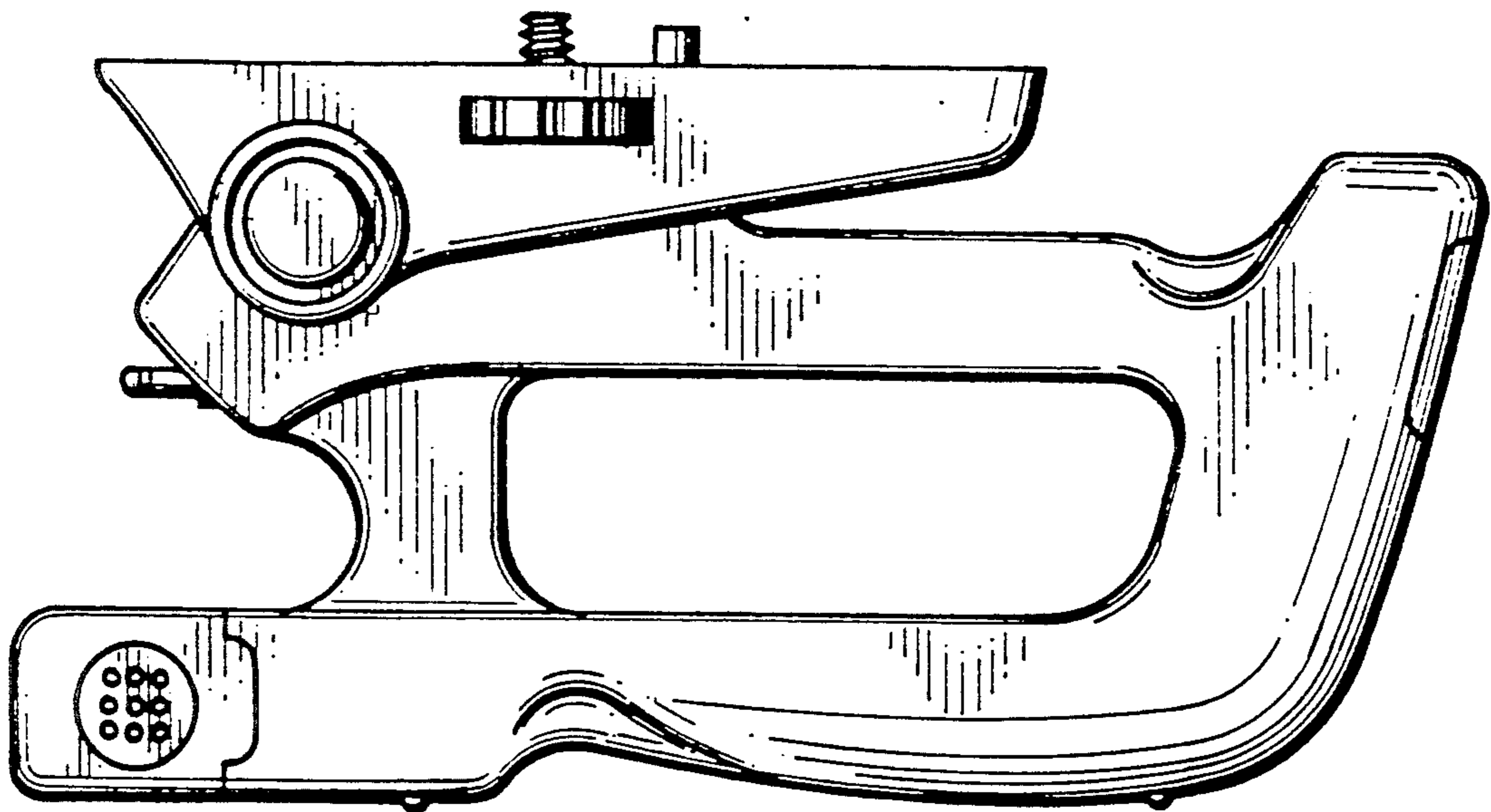


FIG. 7

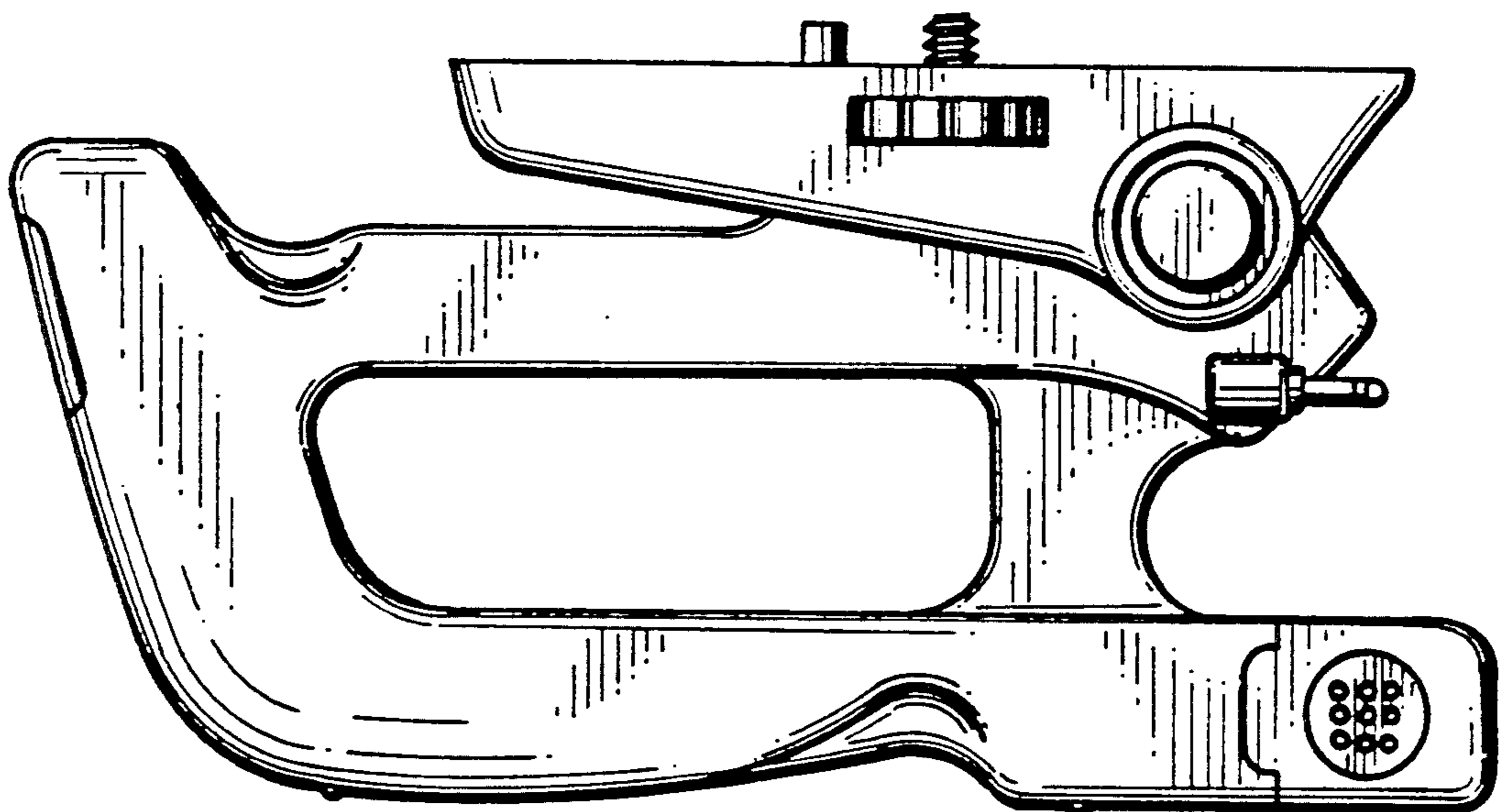


FIG. 8

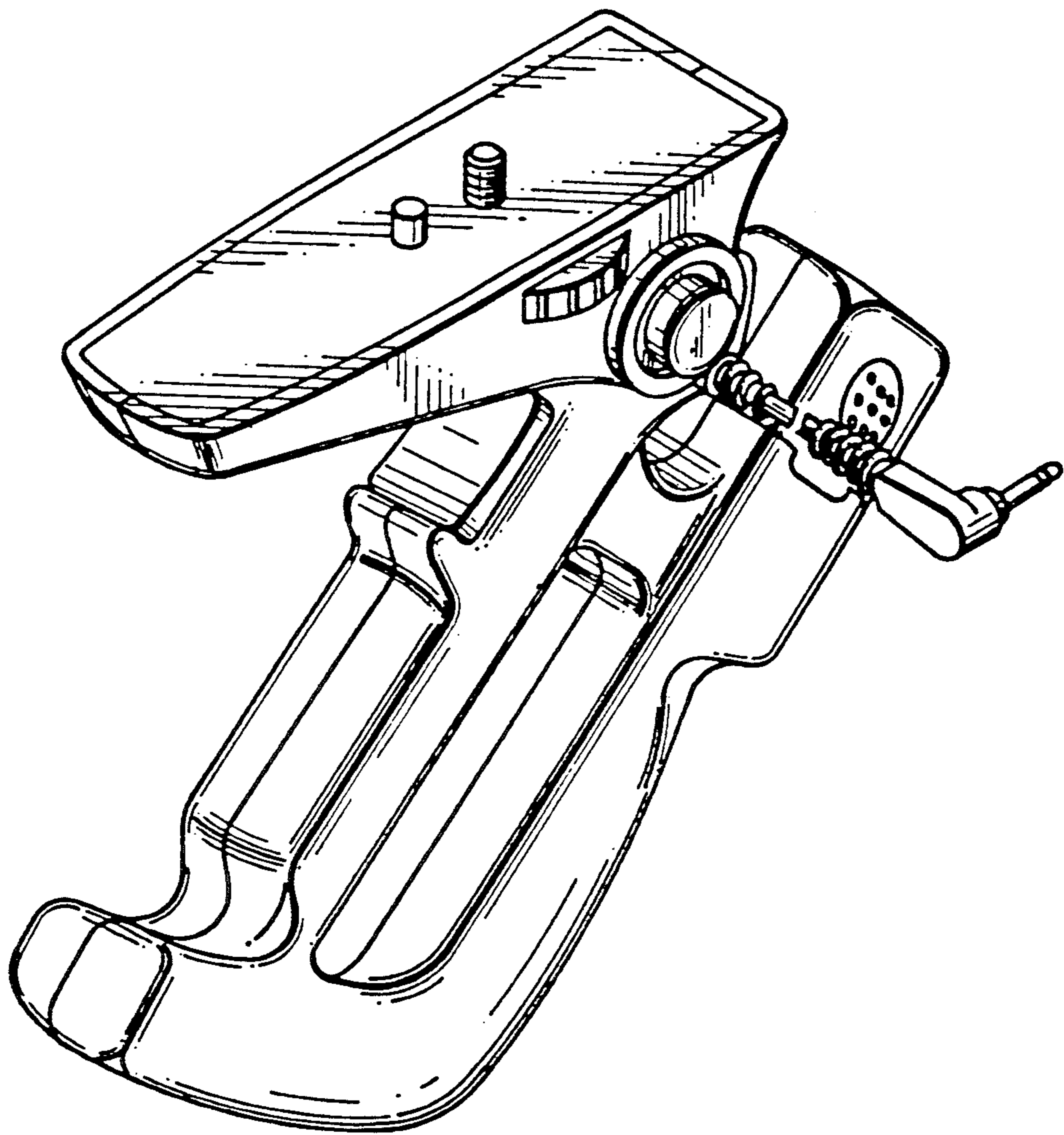


FIG. 9

