



US00D327282S

United States Patent [19]

[11] Patent Number: **Des. 327,282**

Garcia

[45] Date of Patent: **** Jun. 23, 1992**

[54] TIRE MOUNTING PRESS

[76] Inventor: **Ramiro S. Garcia**, 7339 Clearwater St., San Antonio, Tex. 78238

[**] Term: **14 Years**

[21] Appl. No.: **327,575**

[22] Filed: **Mar. 23, 1989**

[52] U.S. Cl. **D15/199; D34/31**

[58] Field of Search **D15/199; 29/244, 245; D34/31**

[56] References Cited

U.S. PATENT DOCUMENTS

2,399,312 4/1946 Augustine 29/244 X
3,164,893 1/1965 Ashworth 29/245

FOREIGN PATENT DOCUMENTS

298506 3/1972 U.S.S.R. 29/245

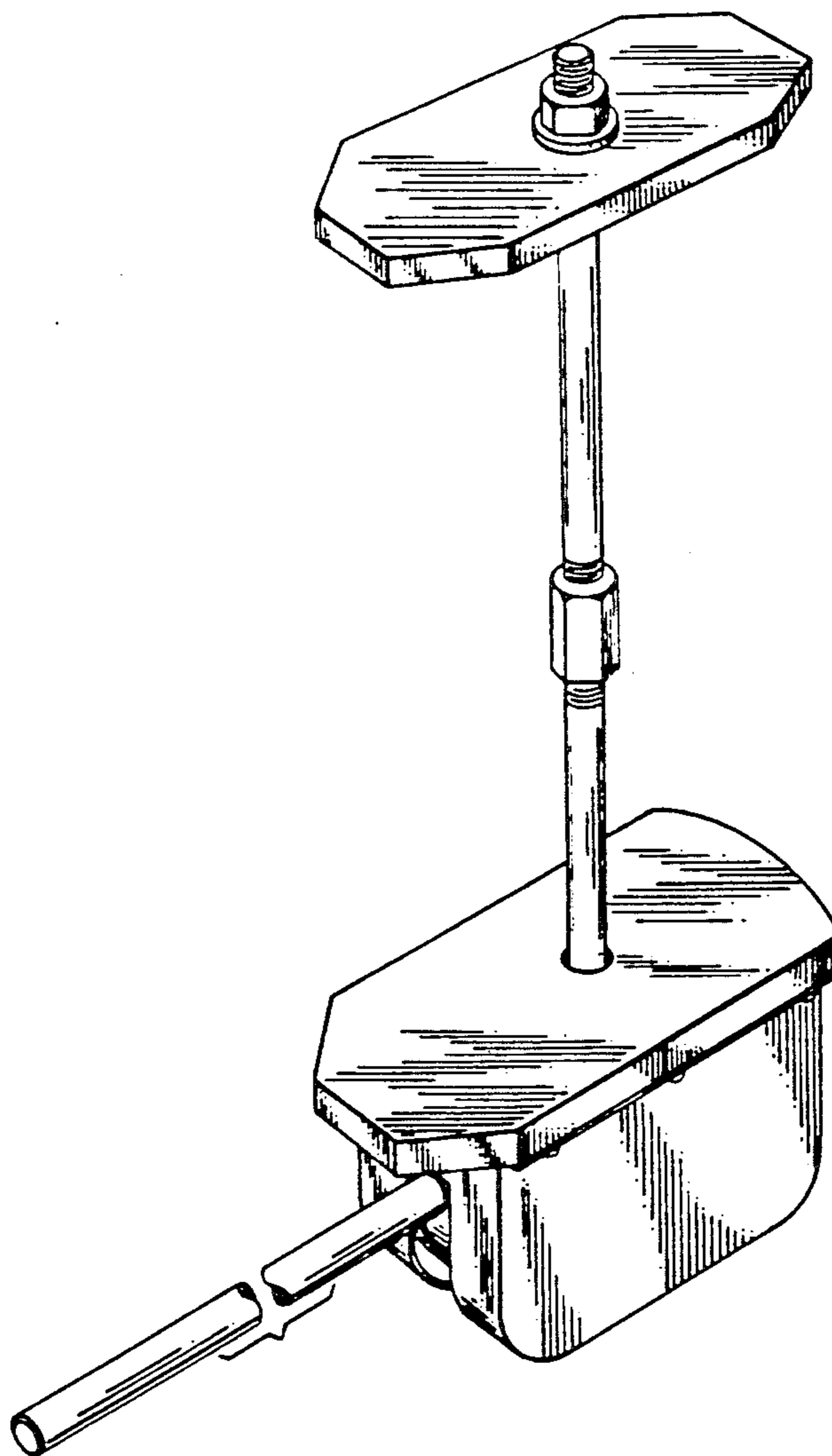
Primary Examiner—Donald P. Walsh
Assistant Examiner—Antoine D. Davis
Attorney, Agent, or Firm—John C. Stahl

[57] CLAIM

The ornamental design for a tire mounting press, as shown and described.

DESCRIPTION

FIG. 1 is a top plan view of a tire mounting press showing my new design;
FIG. 2 is a right side elevational view;
FIG. 3 is a front elevational view;
FIG. 4 is a bottom plan view;
FIG. 5 is a rear elevational view;
FIG. 6 is a perspective view; and,
FIG. 7 is a right side elevational view thereof, with the broken line showing of a tire and wheel are environmental and form no part of the claimed design.
FIG. 7 has been drawn on a reduced scale with respect to FIGS. 1-6.



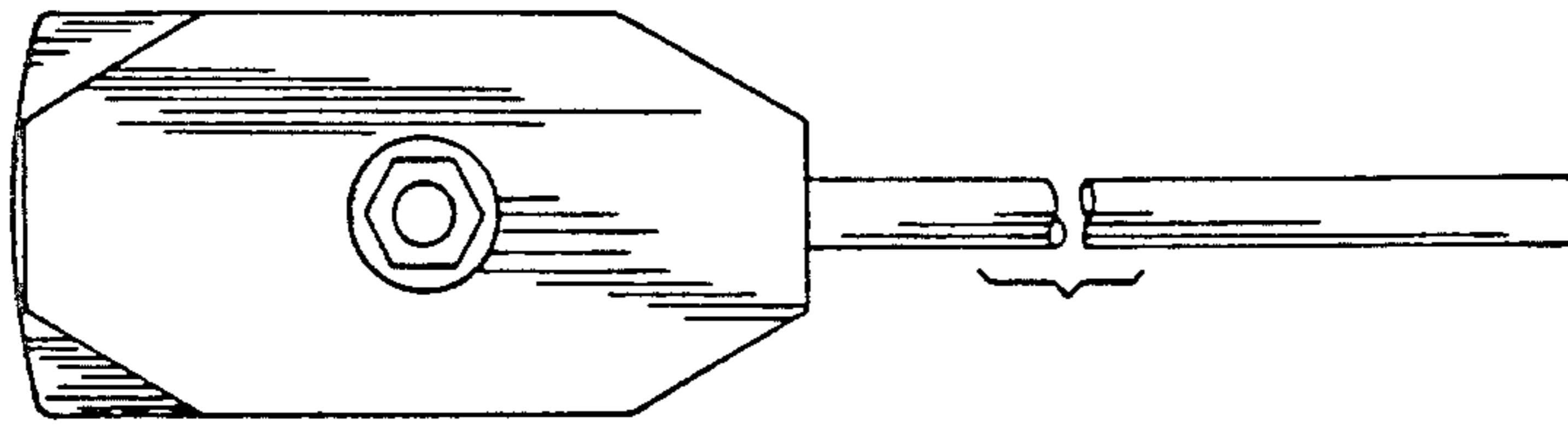


FIG. 1

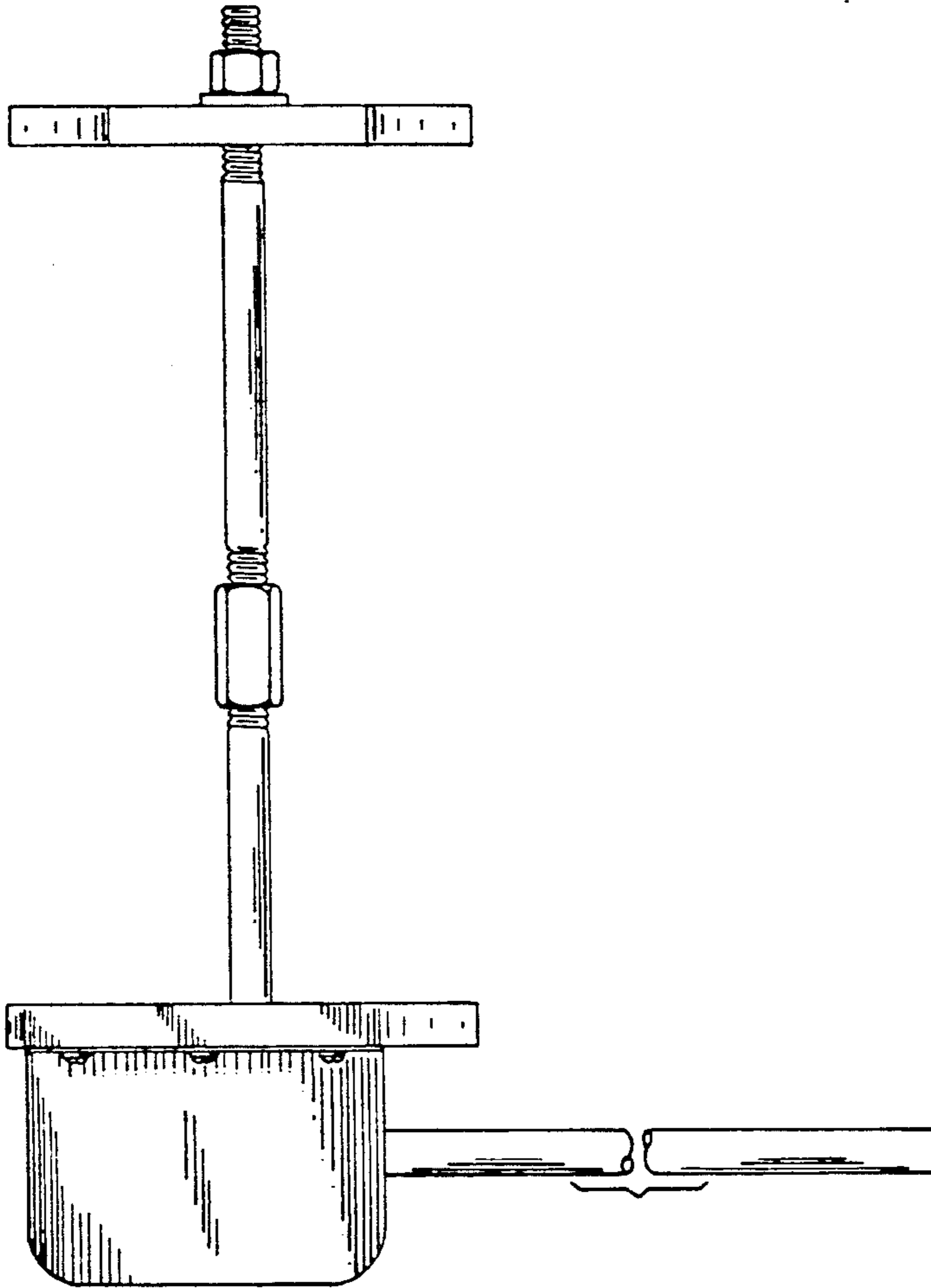


FIG. 2

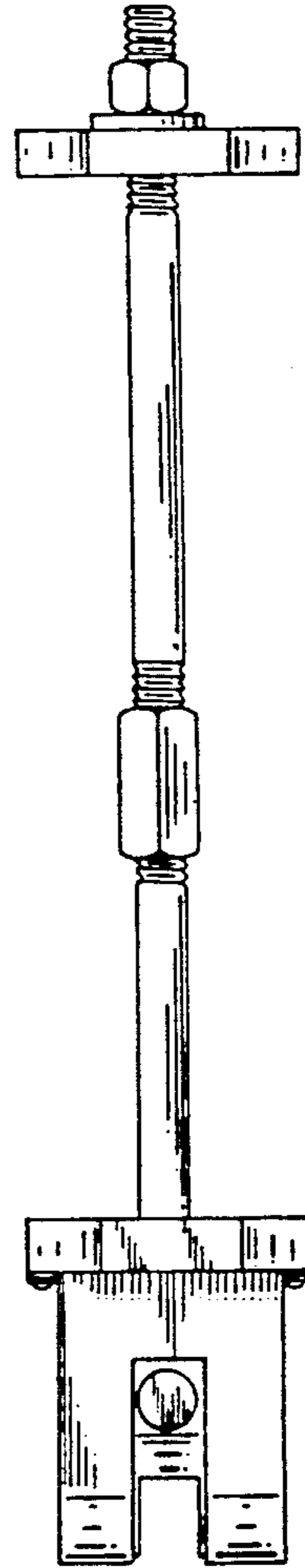


FIG. 3

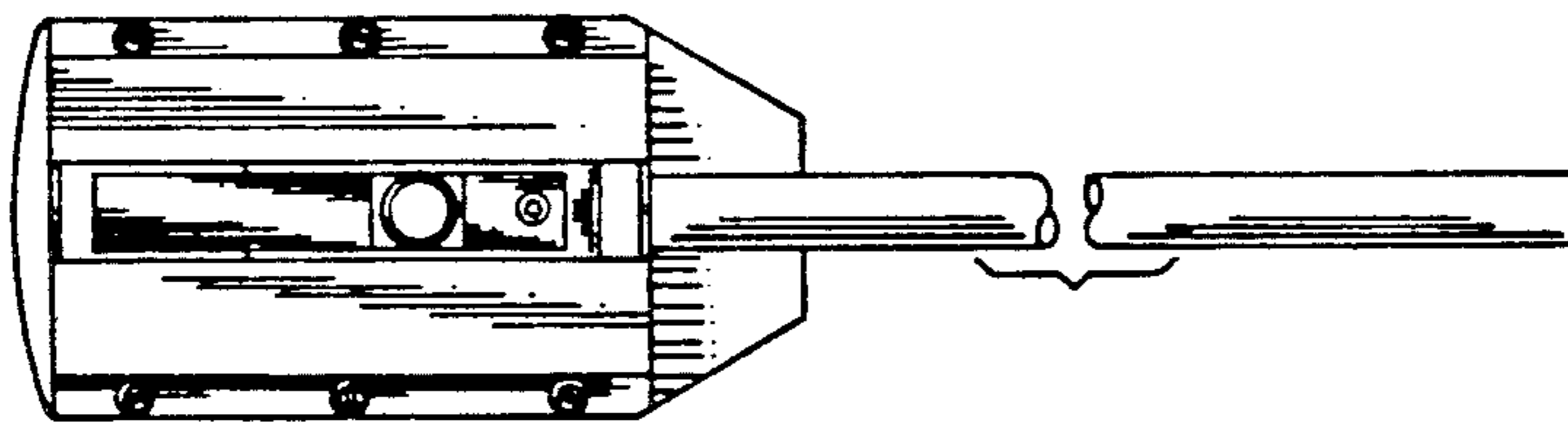


FIG. 4

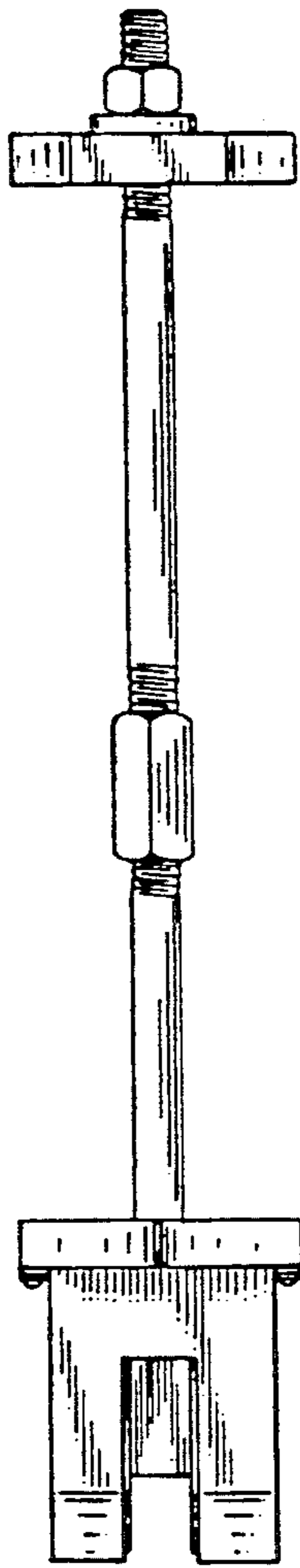


FIG. 5

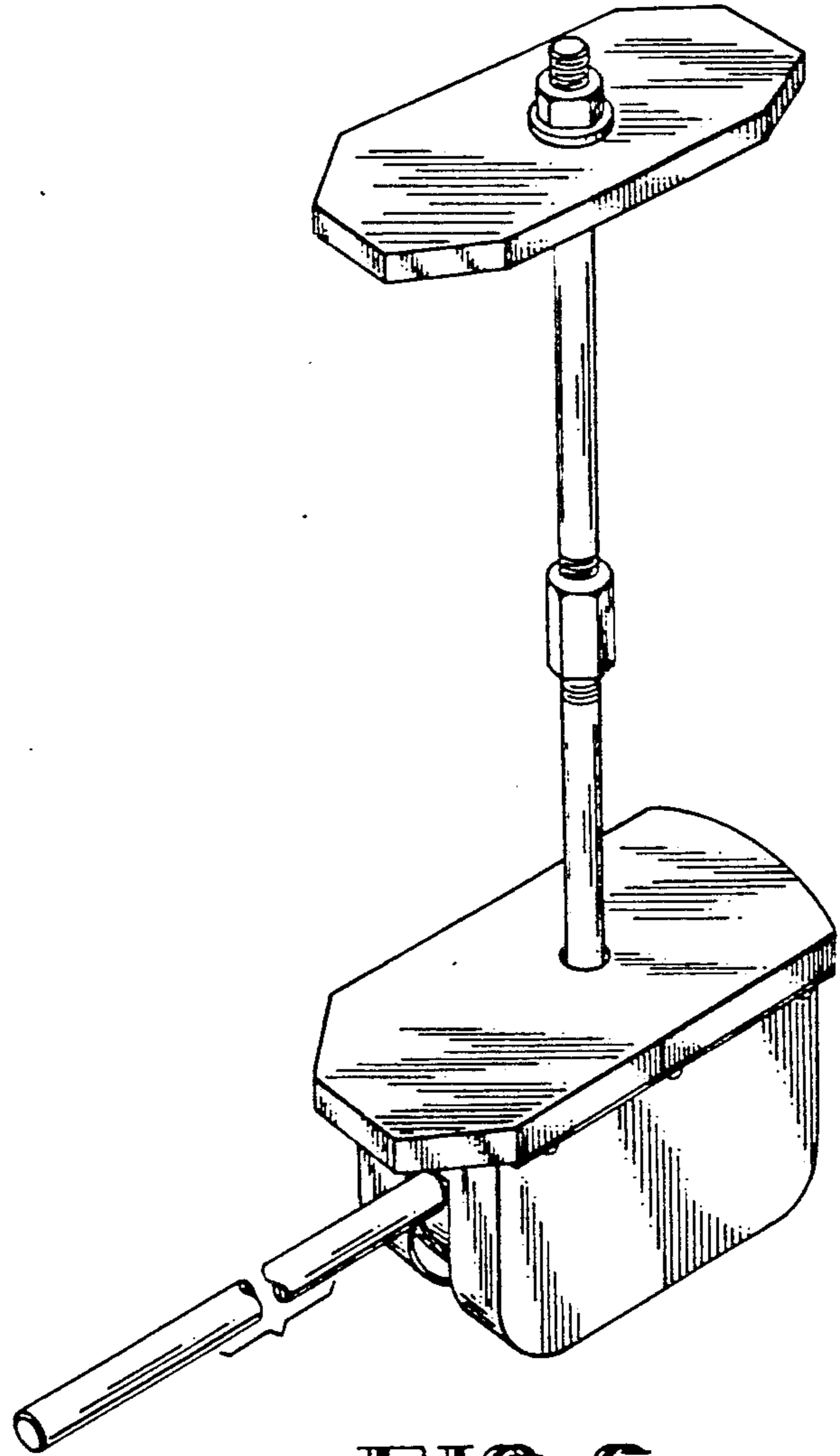


FIG. 6

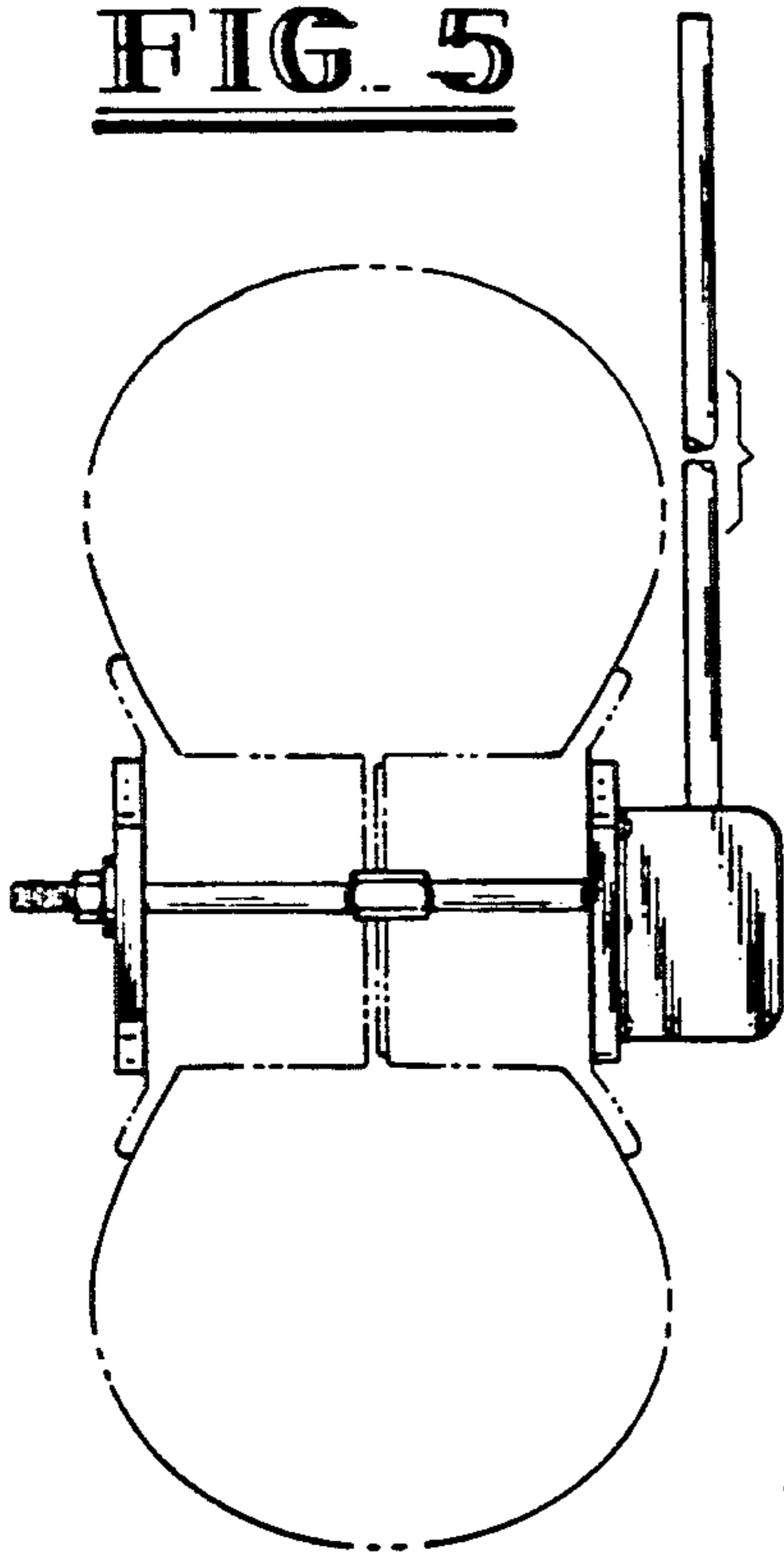


FIG. 7