



US00D327280S

# United States Patent [19]

[11] Patent Number: **Des. 327,280**

Macomber

[45] Date of Patent: **\*\* Jun. 23, 1992**

[54] REAR COVER FOR AN AUTOMOTIVE DIFFERENTIAL

[56] References Cited

### U.S. PATENT DOCUMENTS

D. 214,813	7/1969	Rentschler	.....	D15/148
D. 220,541	4/1971	Liddiard	.....	D15/148
4,625,581	12/1986	Hull	.....	74/607 X

[76] Inventor: **Clayton Macomber**, 9726 - 52nd St. SE., Snohomish, Wash. 98290

*Primary Examiner*—Donald P. Walsh  
*Assistant Examiner*—Jeffrey Asch  
*Attorney, Agent, or Firm*—Tom Secret

[\*\*] Term: **14 Years**

### [57] CLAIM

[21] Appl. No.: **265,464**

The ornamental design for a rear cover for an automotive differential, as shown and described.

### DESCRIPTION

[22] Filed: **Nov. 1, 1988**

FIG. 1 is a front elevational view of a rear cover for an automotive differential showing my new design;

[52] U.S. Cl. .... **D15/148; D12/160**

FIG. 2 is a rear elevational view;

[58] Field of Search ..... 74/606 R, 607;

FIG. 3 is a right side elevational view;

D15/148 I, 149, 199, 150, 152; D12/160;

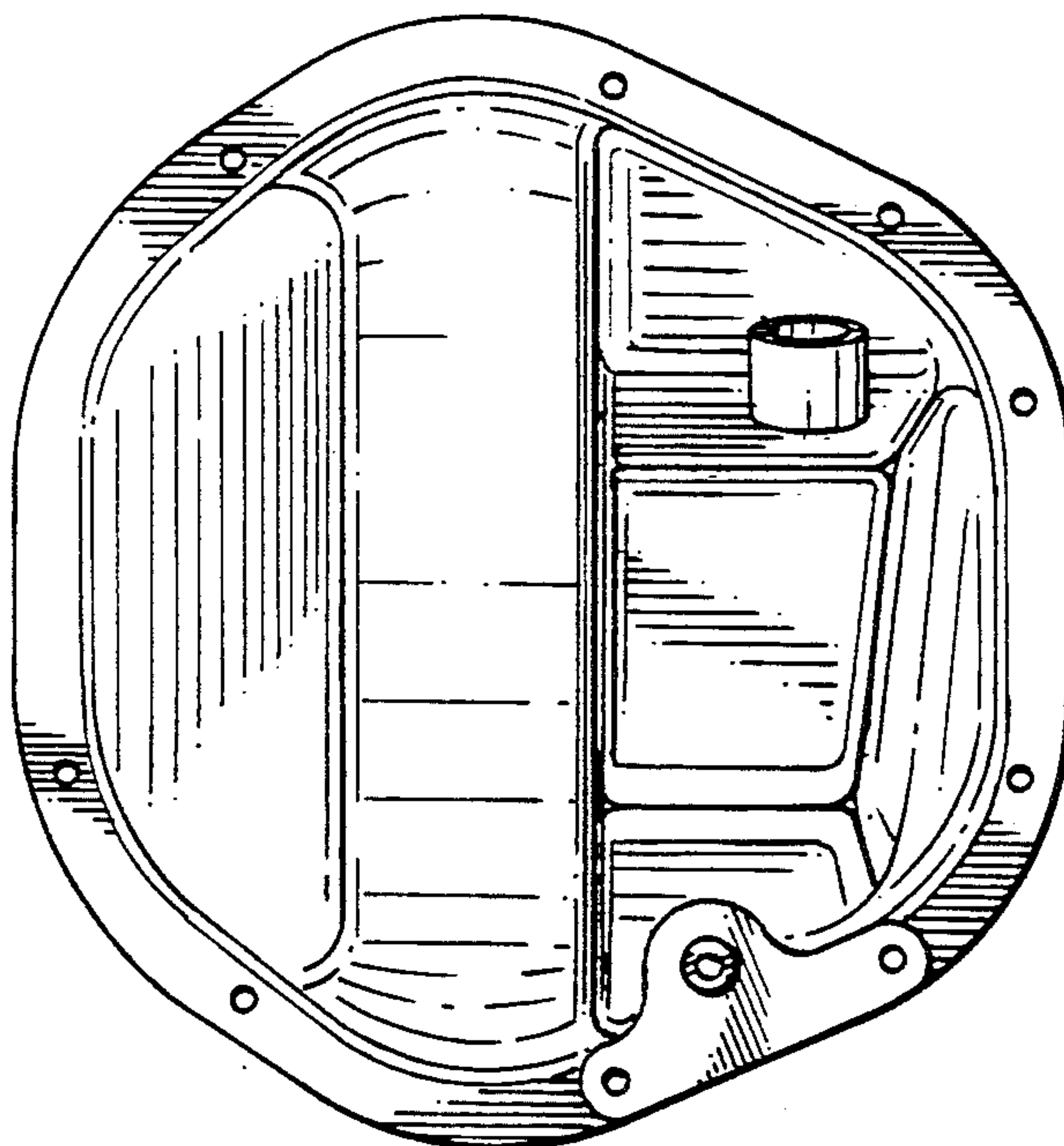
FIG. 4 is a left side elevational view;

33/722, 730; 116/227; 141/94, 95; 184/6.4,

FIG. 5 is a top plan view; and,

6.12, 108, 1.5, 105.1

FIG. 6 is a rear perspective view thereof.



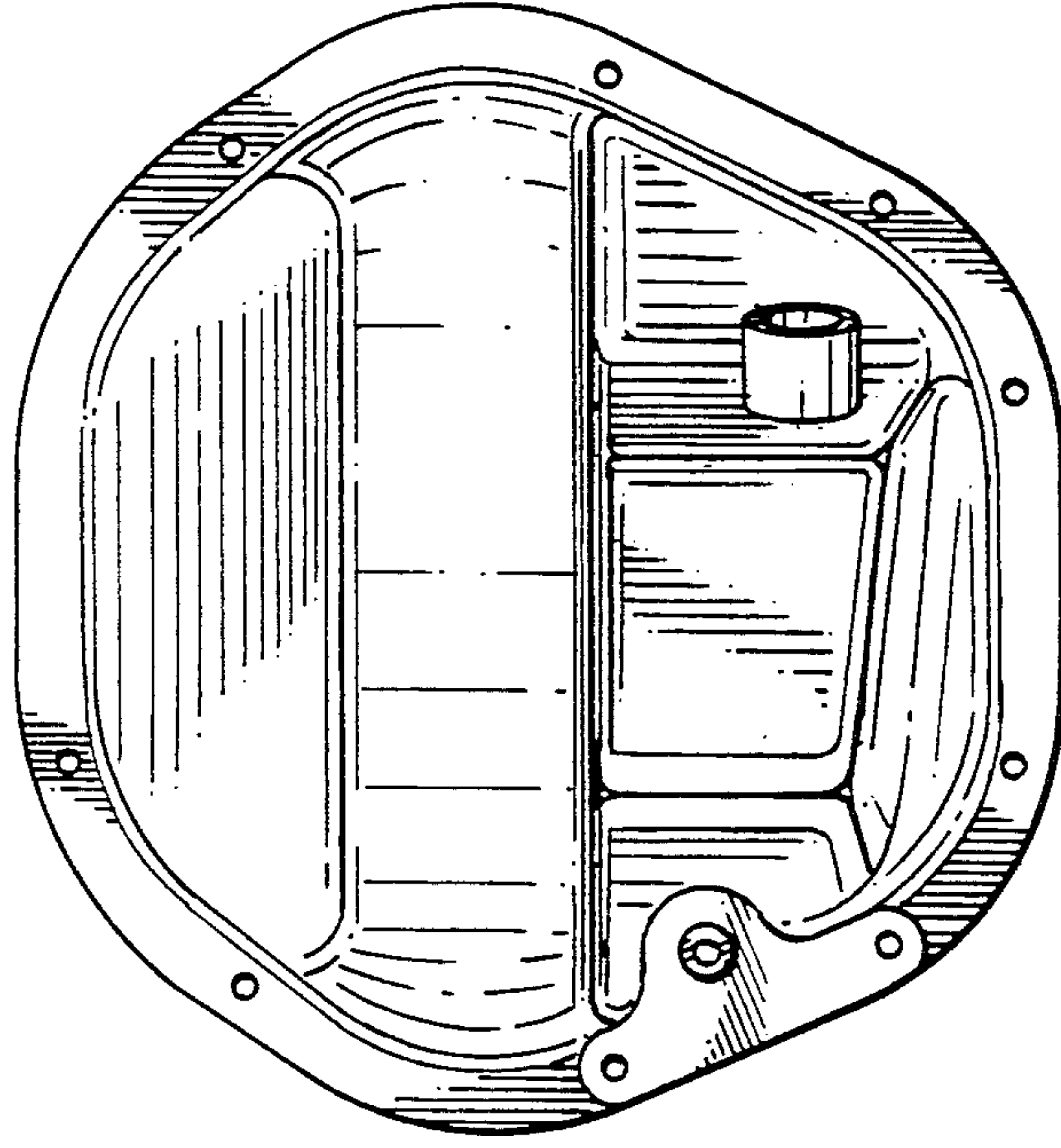


FIG. 1

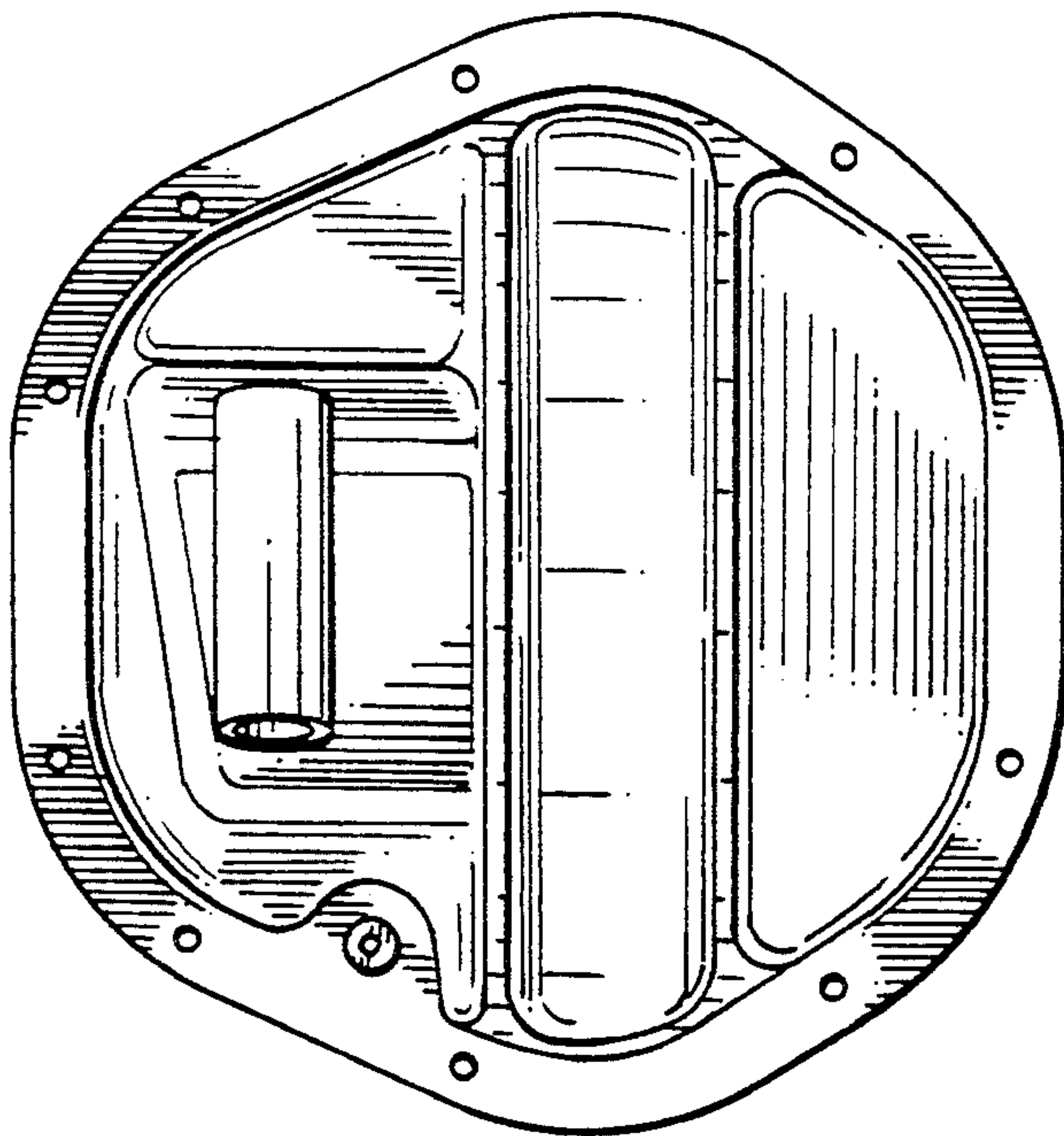


FIG. 2

FIG. 3

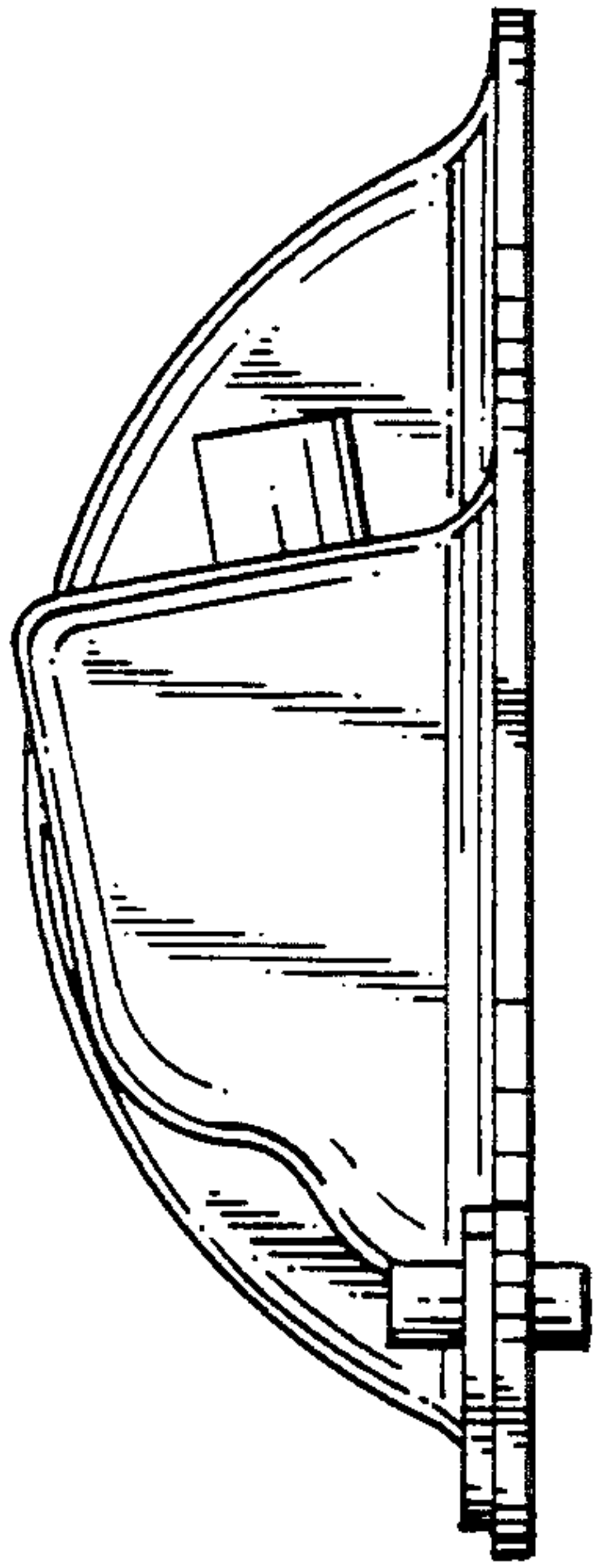


FIG. 4

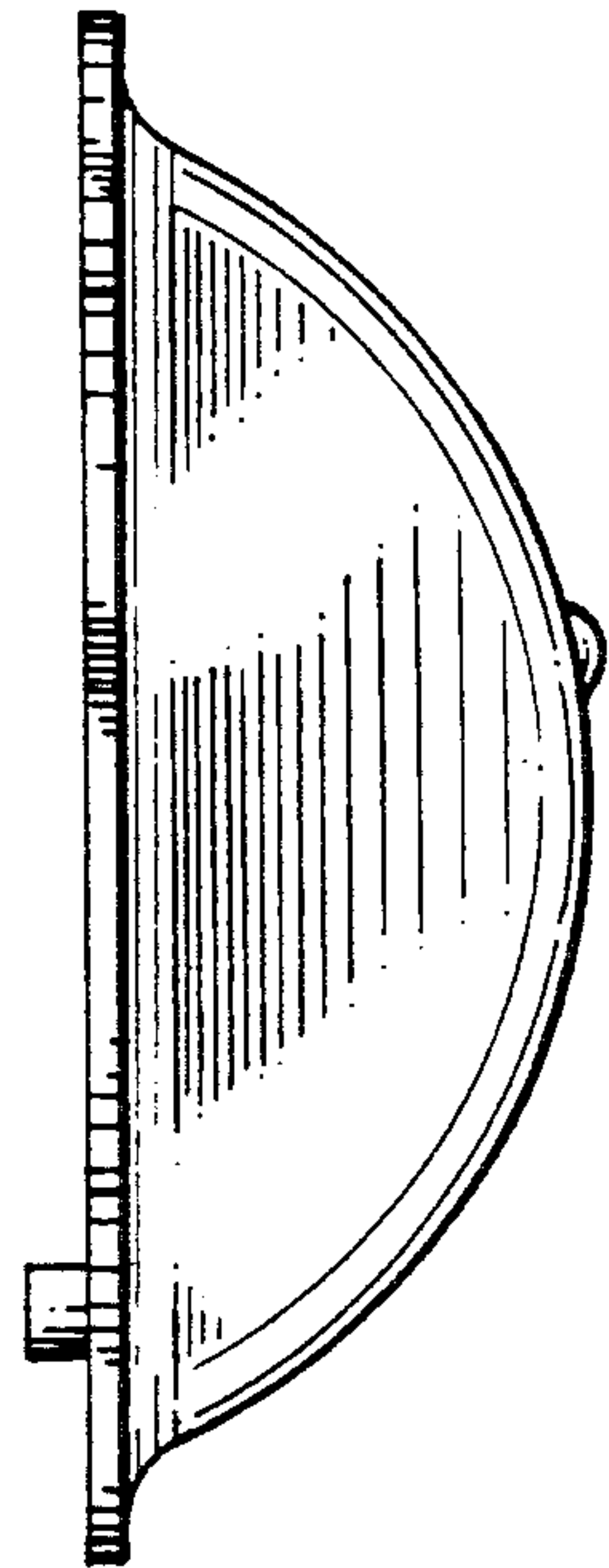
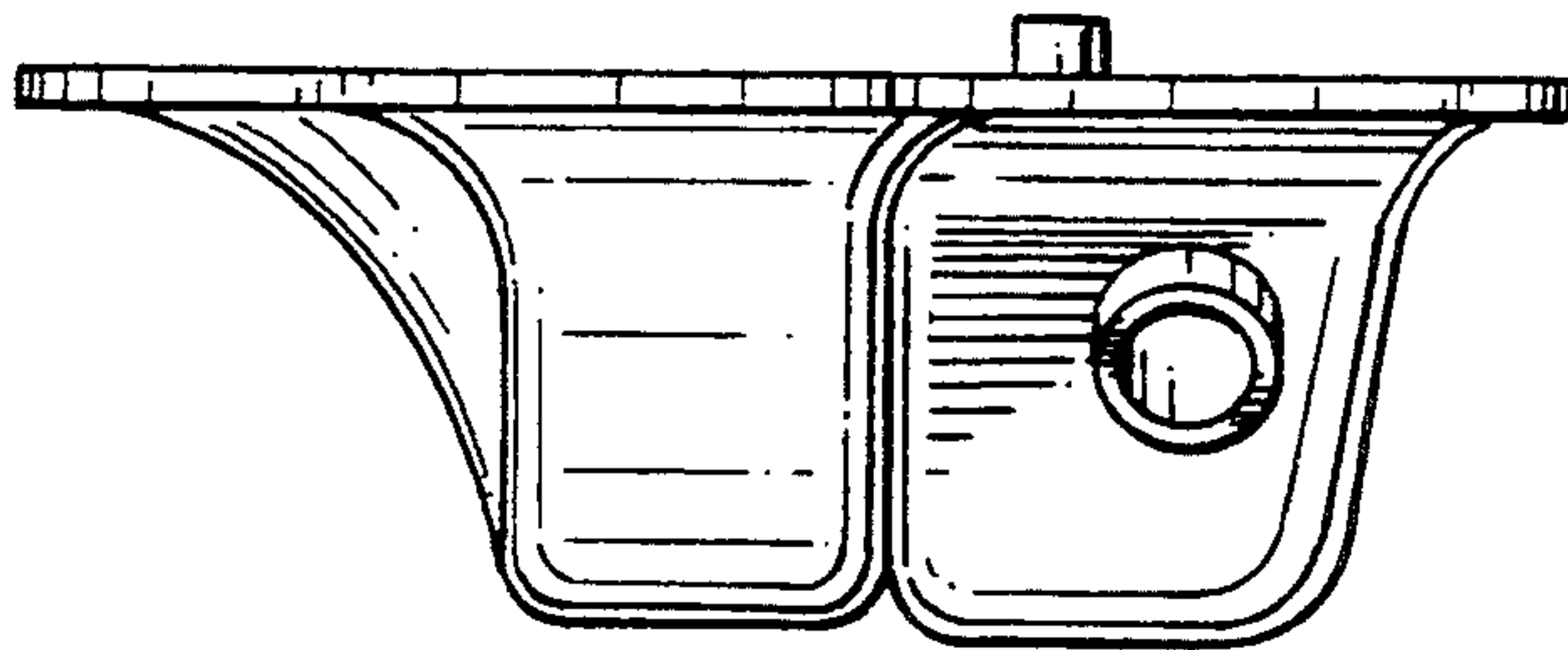


FIG. 5



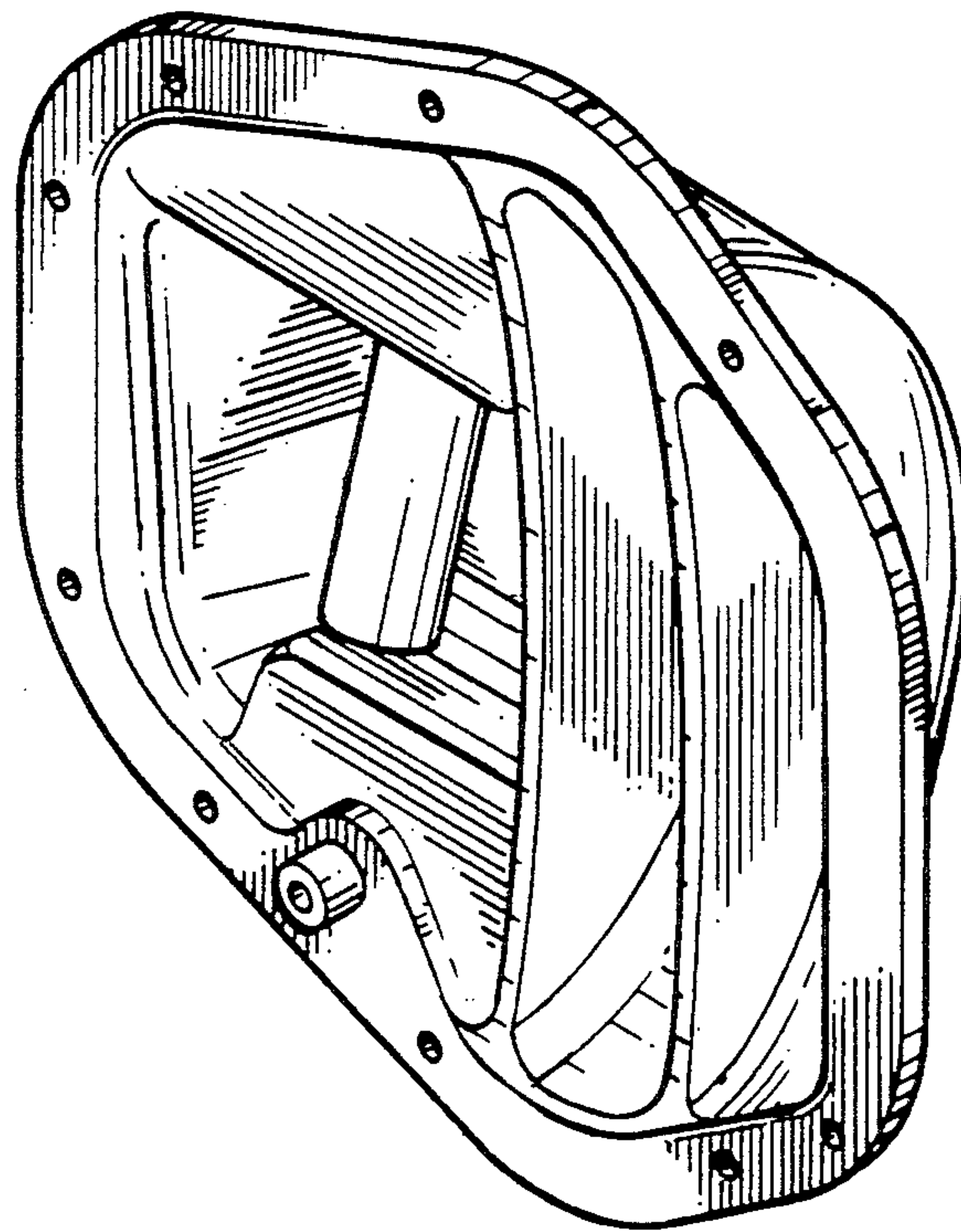


FIG. 6