



US00D327279S

United States Patent [19]

[11] Patent Number: **Des. 327,279**

Brickner et al.

[45] Date of Patent: **** Jun. 23, 1992**

[54] SCROLL SAW

- [75] Inventors: **Louis C. Brickner, Pittsburgh, Pa.;**
Barry Chang, Taichung, Taiwan
- [73] Assignee: **Delta International Machinery Corp.,**
Pittsburgh, Pa.
- [**] Term: **14 Years**
- [21] Appl. No.: **456,834**
- [22] Filed: **Jan. 9, 1990**
- [52] U.S. Cl. **D15/133**
- [58] Field of Search **D15/127, 133;**
83/769-786, 698-700

OTHER PUBLICATIONS

Brochure entitled "The Eagle—Precision Scroll Saw," manufactured by RBI Industries, Inc., 2 pages (Exhibit A).

The Rockwell International brochure entitled "24-inch Scroll Saw," dated Jul. 1, 1982, 4 pages (Exhibit B).

The Delta brochure entitled "18-inch Scroll Saw with Stand," dated Nov. 5, 1984, 4 pages, (Exhibit C).

The Delta brochure entitled, "18-inch Scroll Saw—Instruction Manual," dated Oct. 20, 1984, 12 pages (Exhibit D).

The Delta brochure entitled "New Delta 18-inch Variable Speed Scroll Saw," dated 1984, 1 page (Exhibit E).

The Better Homes and Gardens Wood magazine article dated Dec. 1985 entitled "The New Constant-Tension Scroll Saws," 1 page cover plus 7 pages (Exhibit F).

The article entitled "Woodworkers Buyer's Guide to Power Tools" by Frank M. Pittman, 1 page cover plus 8 pages of article (Exhibit G).

The Delta brochure entitled "Delta Machinery for Building Trades and Homeshops," 9 pages (Exhibit H).

[56] References Cited

U.S. PATENT DOCUMENTS

Re. 7,726	6/1877	Plummer .	
D. 174,116	3/1955	Dremel	D15/133
D. 290,369	6/1987	Eccardt et al.	D15/133
D. 292,713	11/1987	Miller .	
169,475	11/1875	Pratt .	
170,456	11/1875	Smith .	
189,461	4/1877	House .	
220,705	10/1879	Dearborn .	
398,803	2/1889	Sedwick .	
1,544,425	6/1925	Blank .	
1,820,294	8/1931	Anderson .	
1,877,705	9/1932	Tautz .	
2,090,195	8/1937	Grob .	
2,208,843	7/1940	Hedgpeth .	
2,692,622	10/1954	Heese .	
2,721,587	10/1955	Dremel	83/782 X
4,503,742	3/1985	Sutton .	
4,619,171	10/1986	Miller .	
4,625,609	12/1986	Ashworth .	
4,681,006	7/1987	Miller .	
4,841,823	6/1989	Brundage	83/783 X
4,949,616	8/1990	Chang	83/783 X

Primary Examiner—Donald P. Walsh
Assistant Examiner—Antoine D. Davis
Attorney, Agent, or Firm—Merchant, Gould, Smith, Edell, Welter & Schmidt

[57] CLAIM

The ornamental design for a scroll saw, as shown.

DESCRIPTION

FIG. 1 is a top, front and right side perspective view of a scroll saw showing our new design;
 FIG. 2 is a front elevational view;
 FIG. 3 is a rear elevational view;
 FIG. 4 is a right side elevational view;
 FIG. 5 is a left side elevational view;
 FIG. 6 is a top plan view; and,
 FIG. 7 is a bottom plan view thereof.

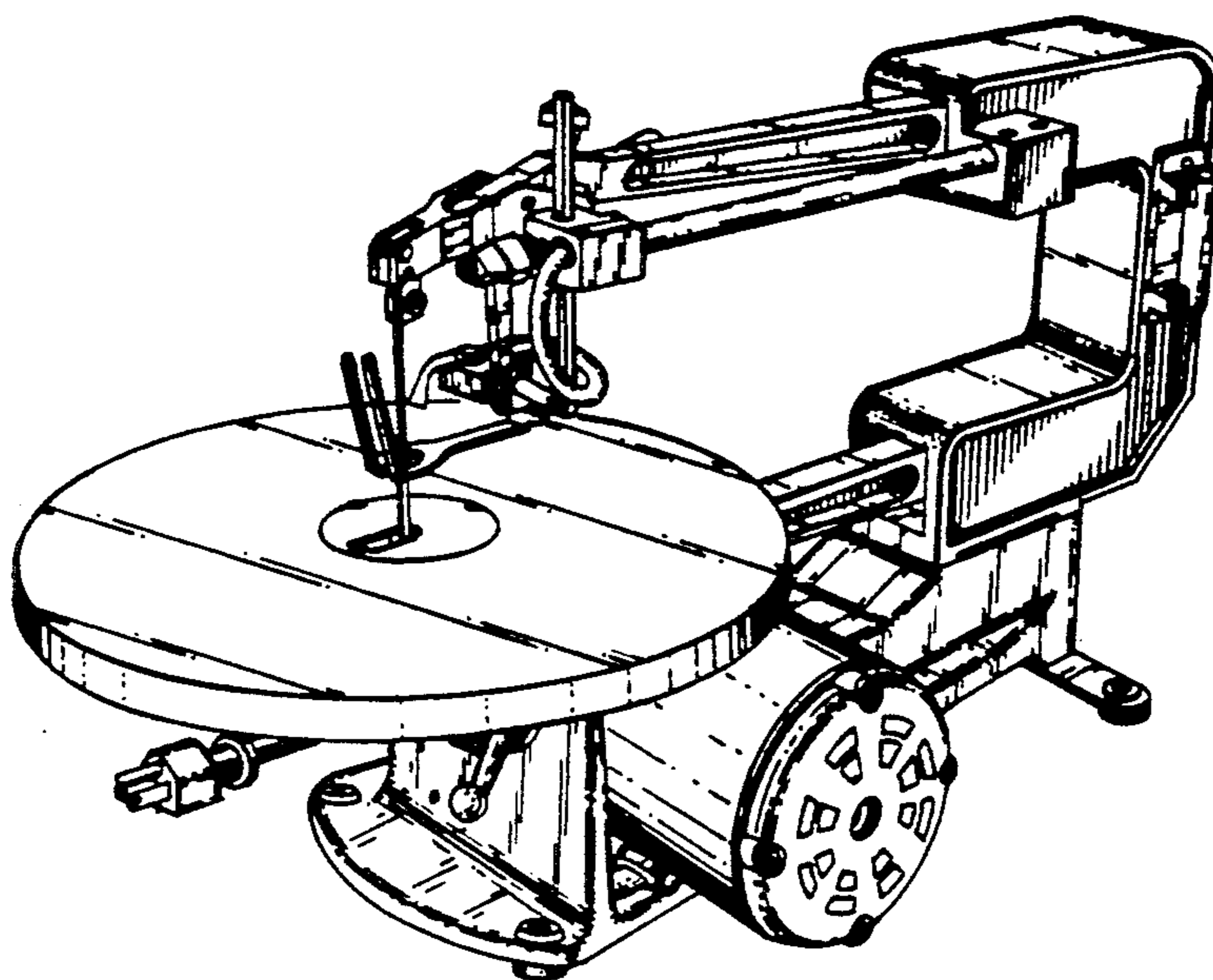


FIG. 1

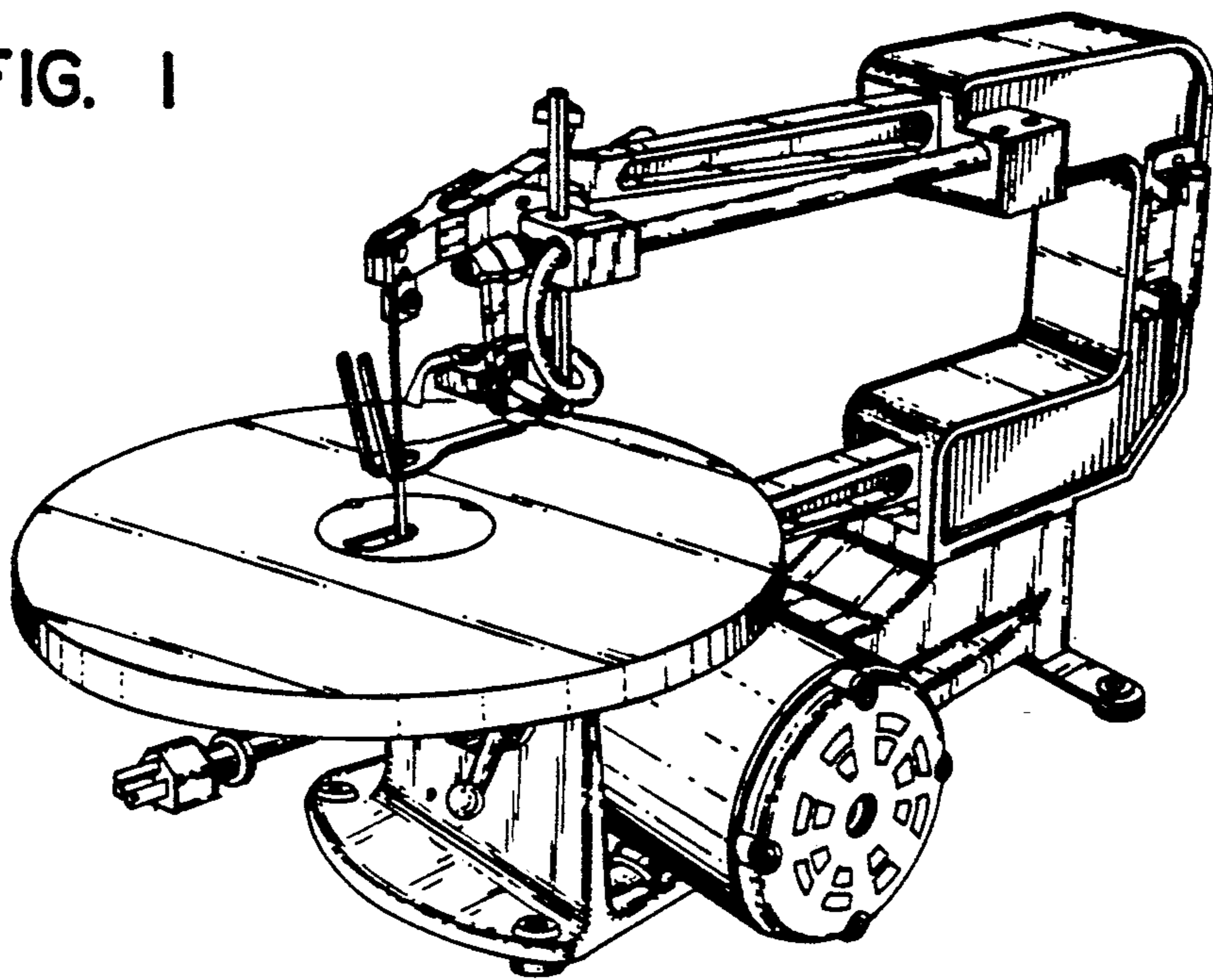


FIG. 2

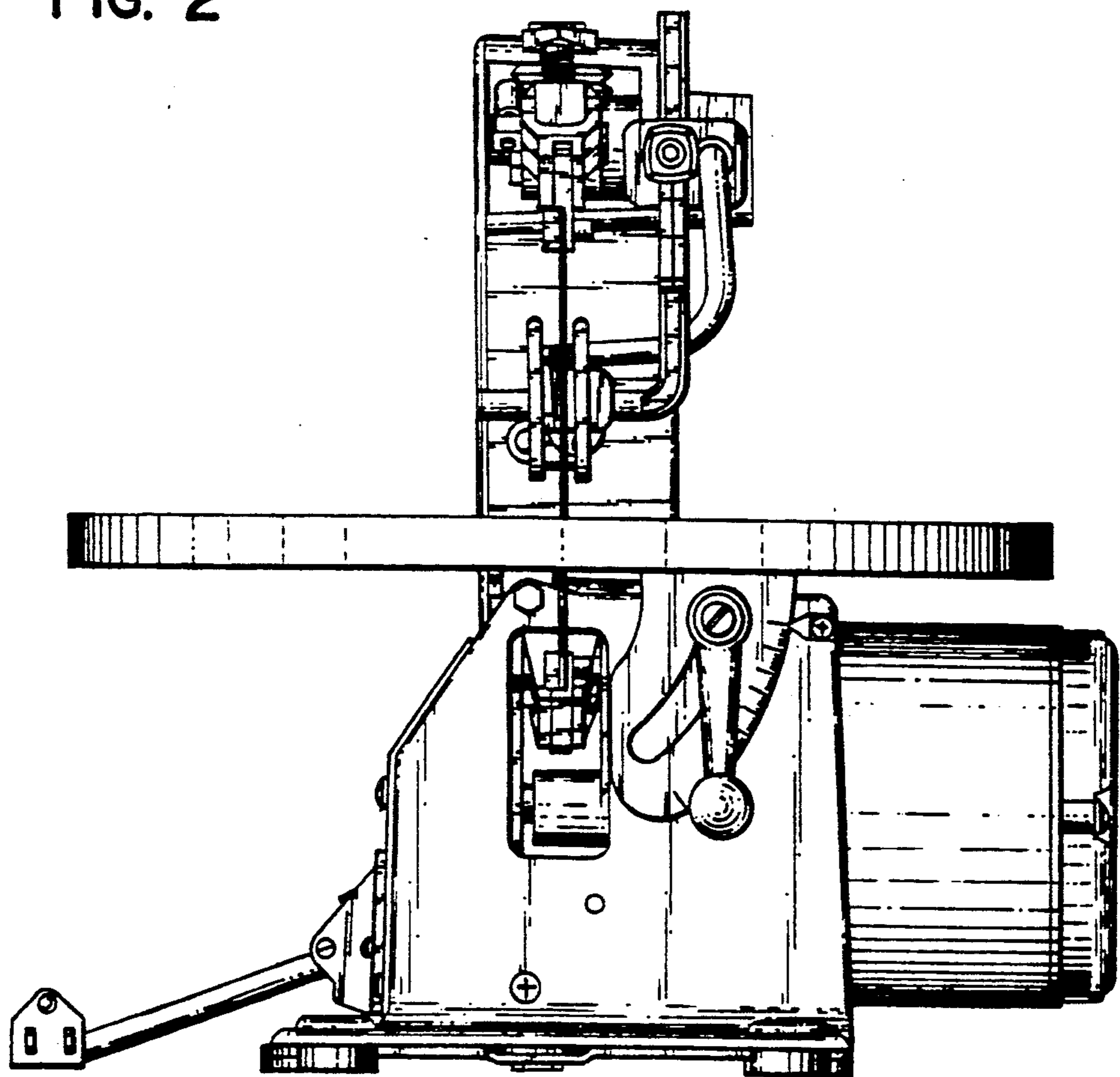
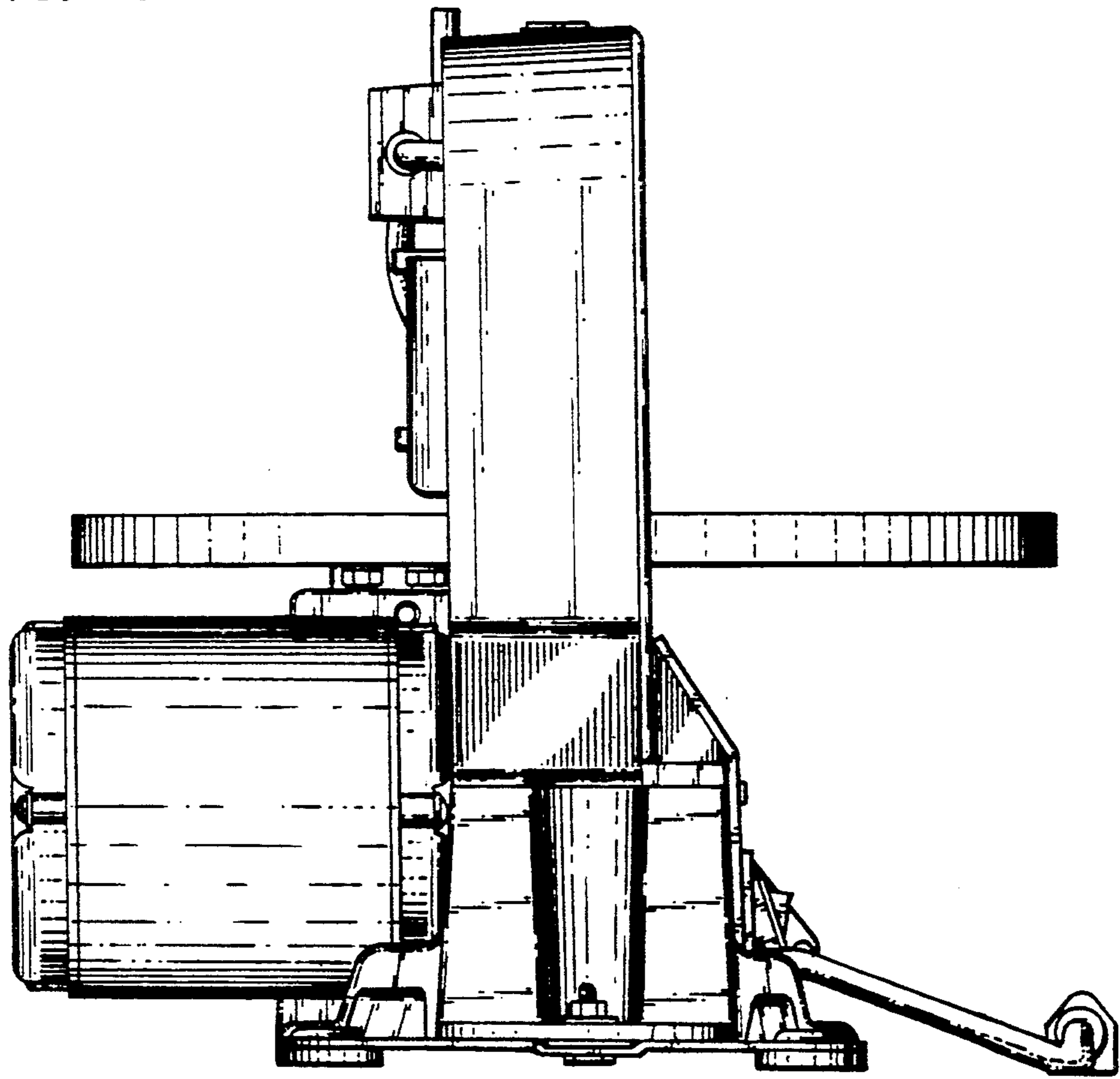


FIG. 3



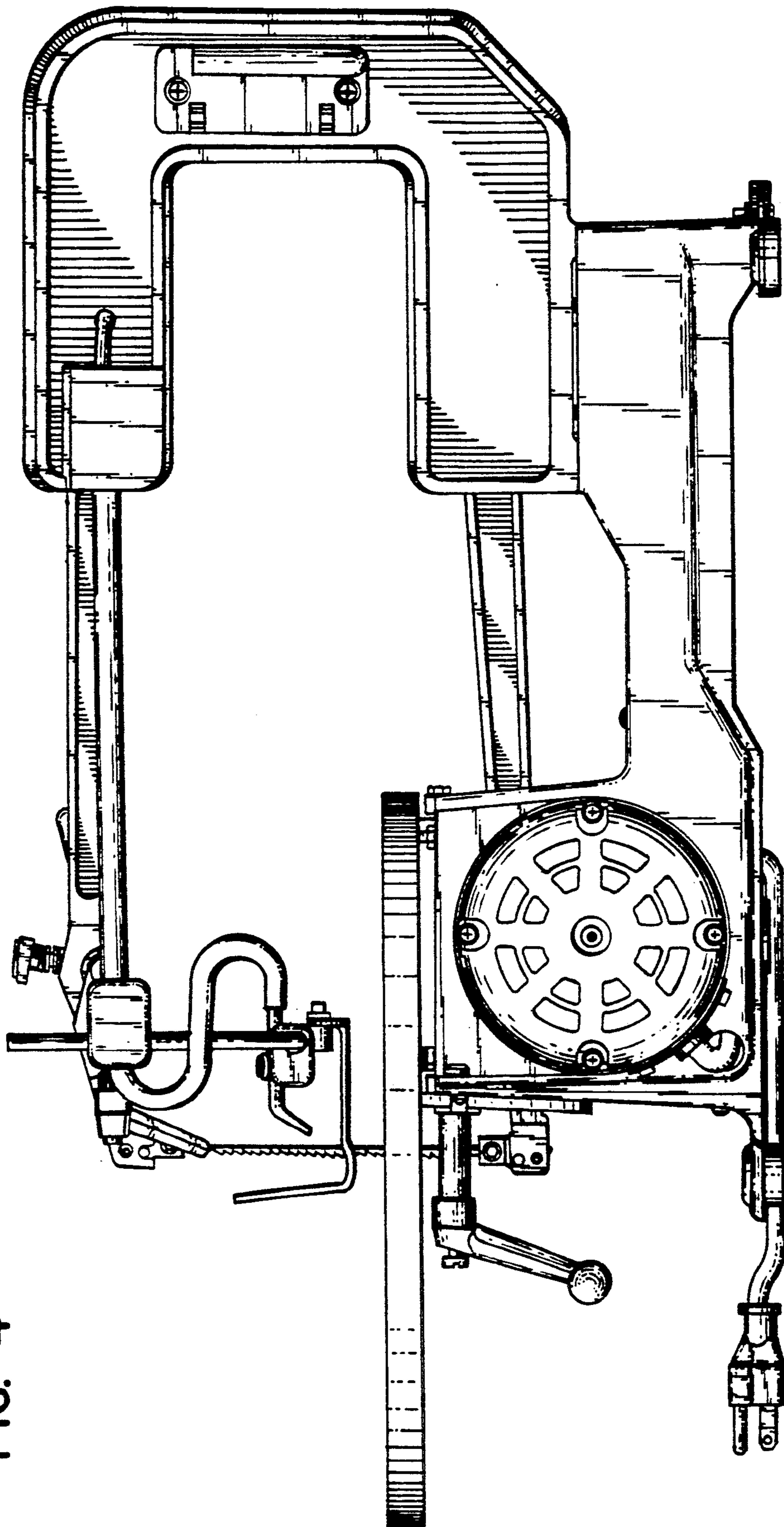
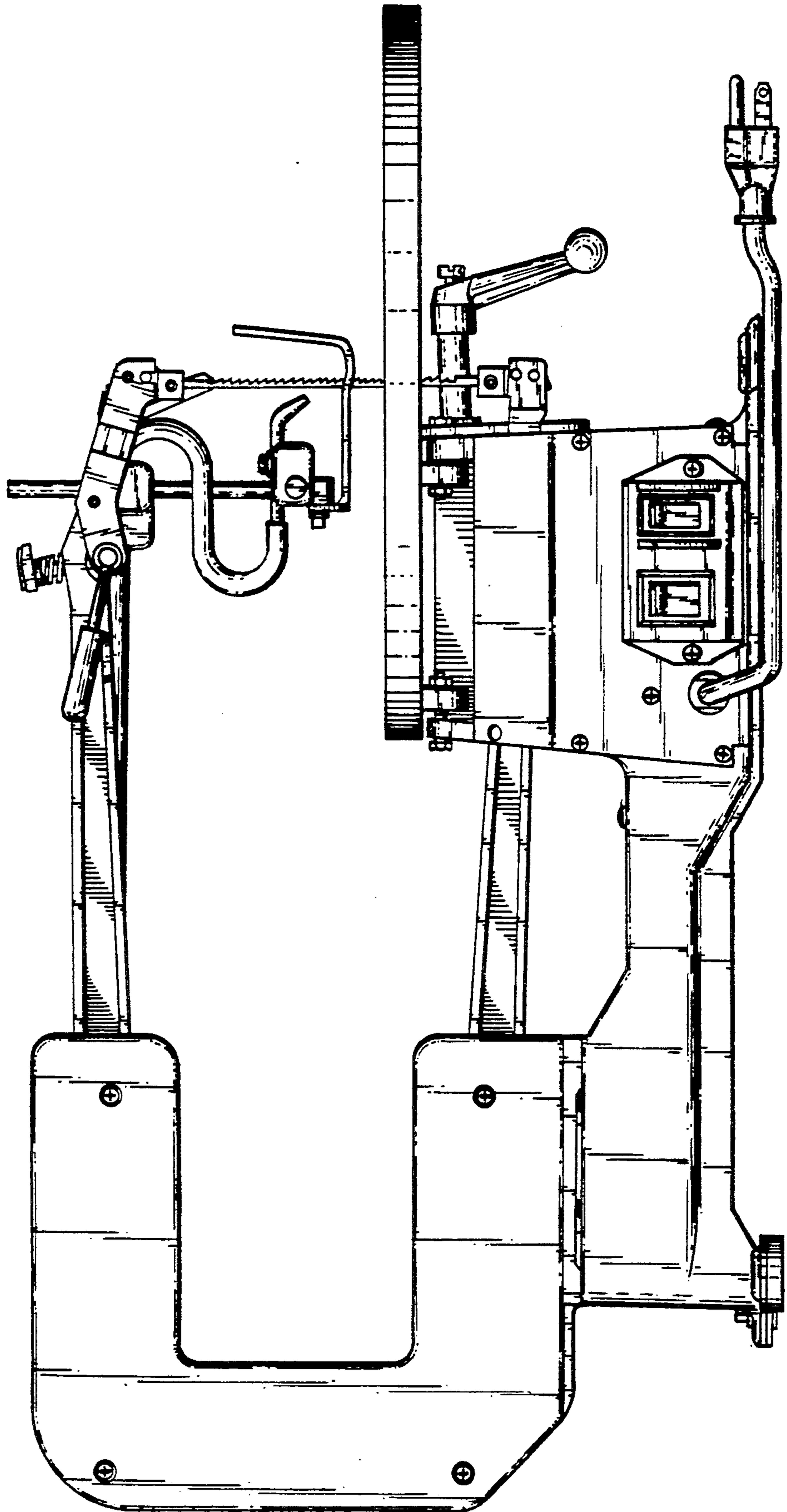


FIG. 4

FIG. 5



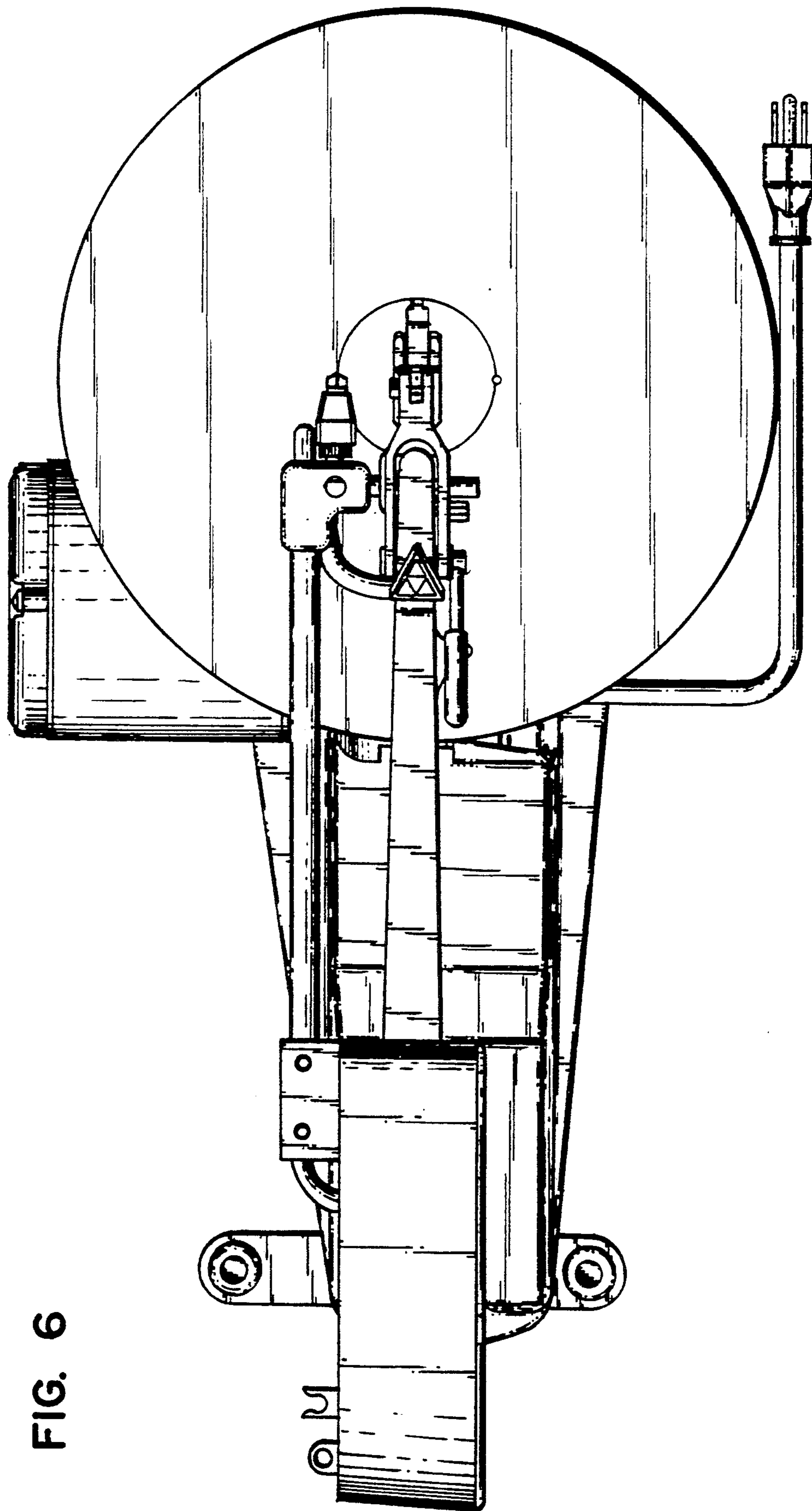


FIG. 6

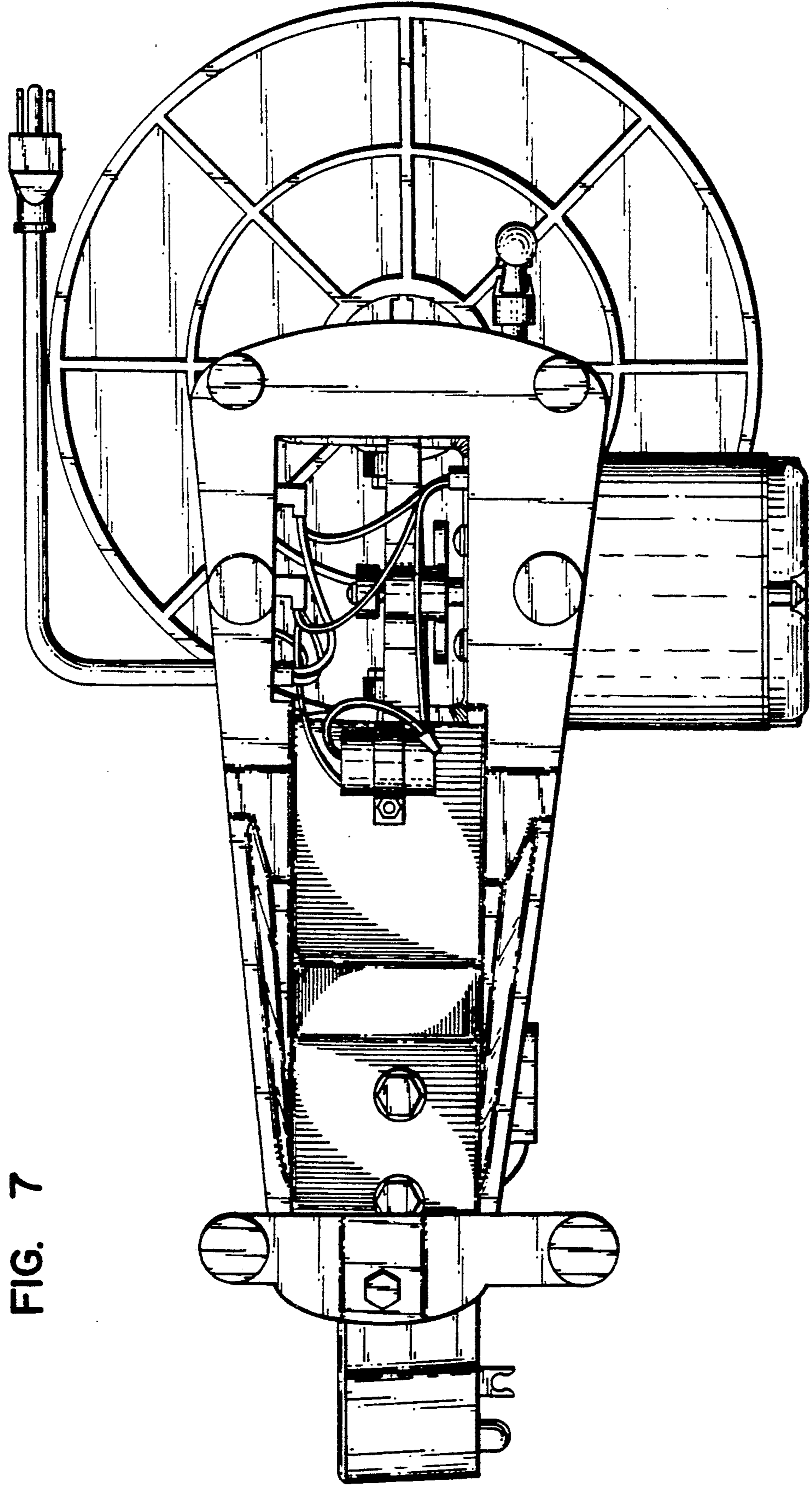


FIG. 7