



US00D327277S

# United States Patent [19]

[11] Patent Number: **Des. 327,277**

Bellis

[45] Date of Patent: **\*\* Jun. 23, 1992**

[54] FUEL PUMP CHAMBER

[75] Inventor: Peter D. Bellis, Carson City, Nev.

[73] Assignee: Mallory, Inc., Carson City, Nev.

[\*\*] Term: 14 Years

[21] Appl. No.: 613,372

[22] Filed: Nov. 15, 1990

Primary Examiner—A. Hugo Word

Assistant Examiner—R. Seifert

Attorney, Agent, or Firm—Royslance, Abrams, Berdo & Goodman

### [57] CLAIM

The ornamental design for a fuel pump chamber, as shown and described.

### DESCRIPTION

FIG. 1 is a perspective view of a fuel pump chamber showing my new design;

FIG. 2 is a top plan view thereof;

FIG. 3 is a bottom plan view thereof;

FIG. 4 is a side elevational view thereof looking from the bottom of FIG. 2;

FIG. 5 is a side elevational view thereof looking down from the top of FIG. 2;

FIG. 6 is a sectional view taken along the lines 6—6 of FIG. 2;

FIG. 7 is a sectional view taken along the lines 7—7 of FIG. 2; and,

FIG. 8 is a sectional-view taken along the lines 8—8 of FIG. 2.

### Related U.S. Application Data

[62] Division of Ser. No. 330,496, Mar. 30, 1989, Pat. No. 5,007,806.

[52] U.S. Cl. .... D15/9.1; D15/7

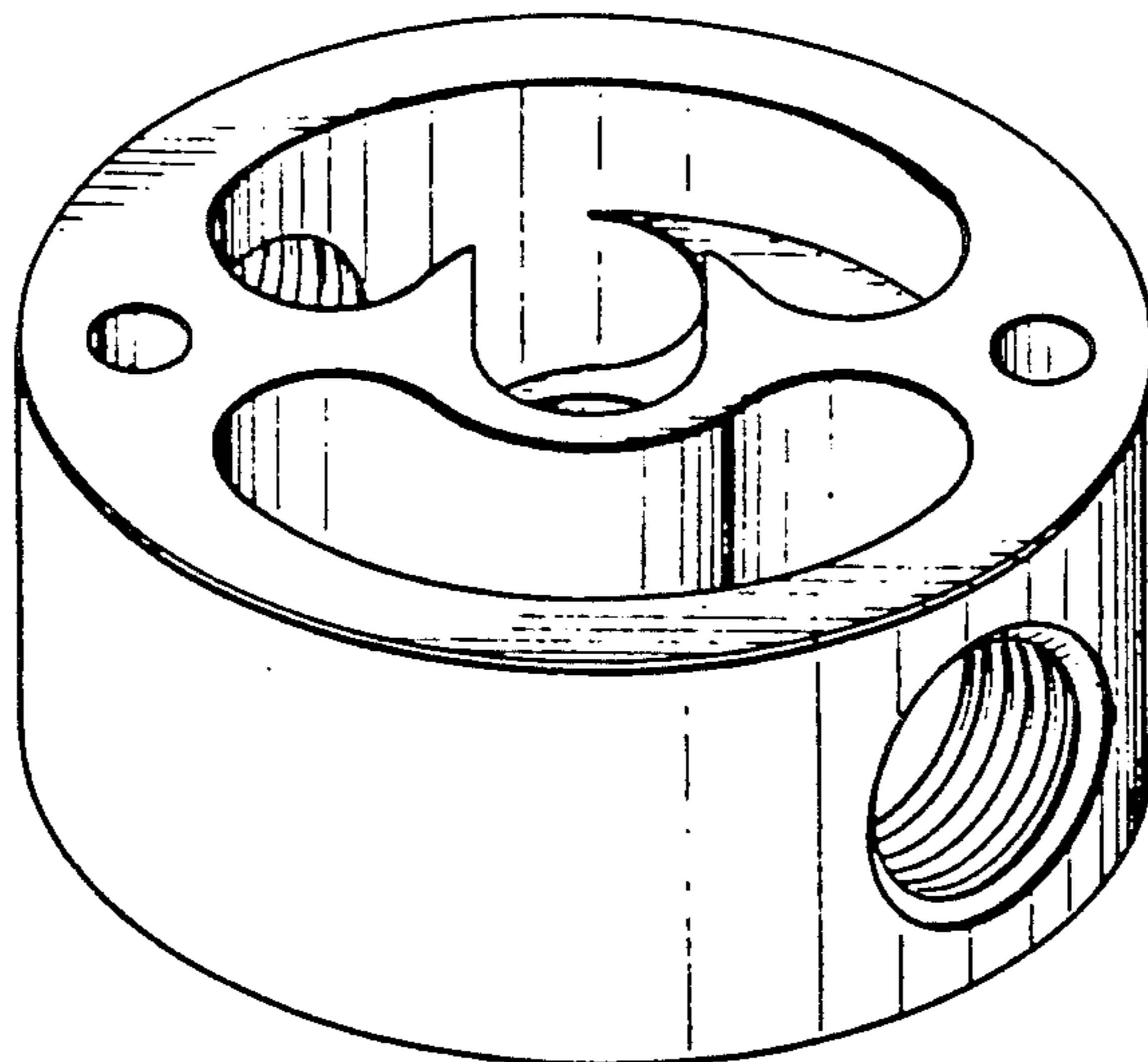
[58] Field of Search ..... D15/7, 9.1, 5, 6; 123/195 A, 198, 509; 418/171, 182; 417/366, 360-361, 364, 359

### [56] References Cited

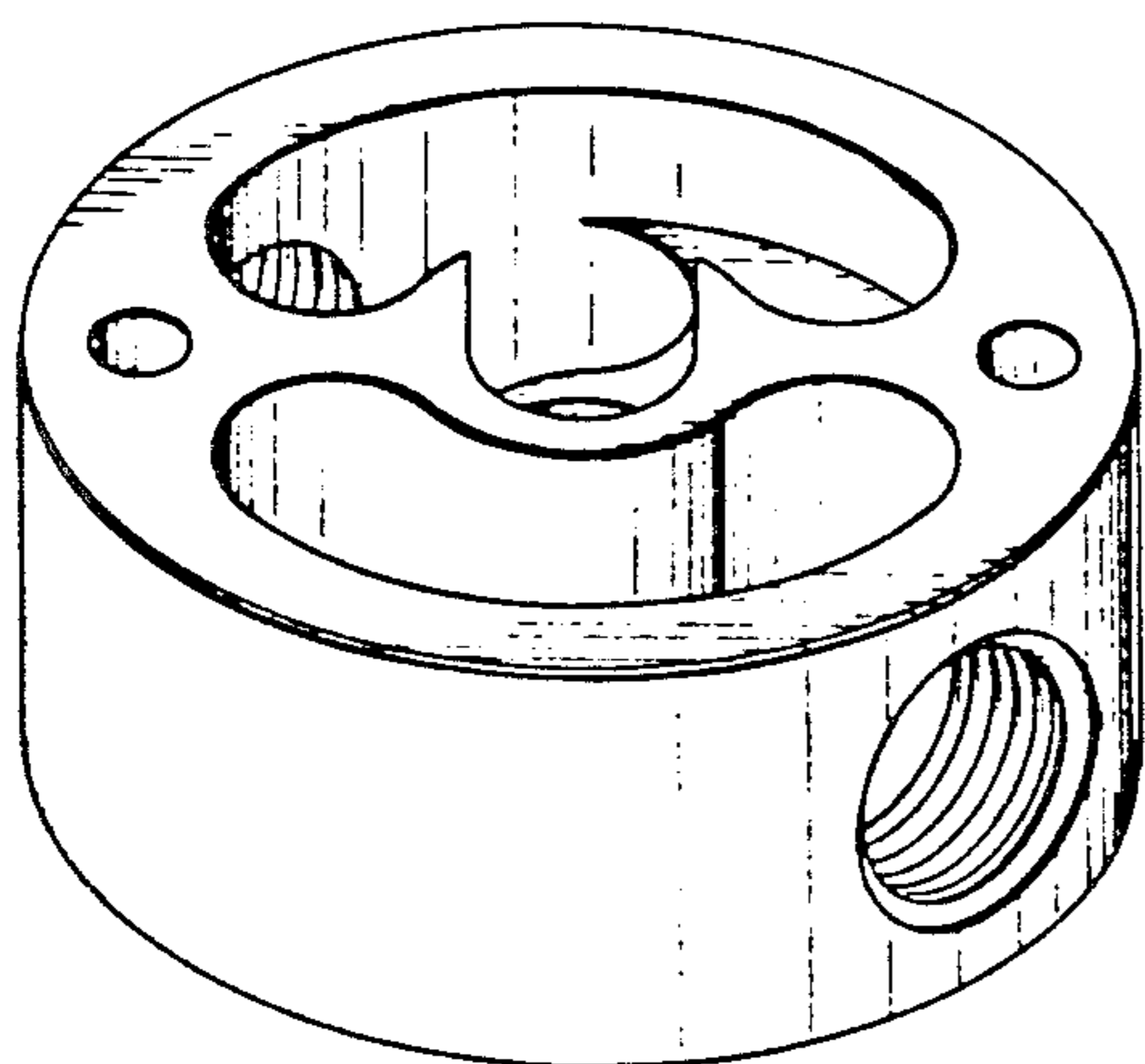
#### PUBLICATIONS

J. C. Whitney Catalog, p. 171, Item located upper left side of page.

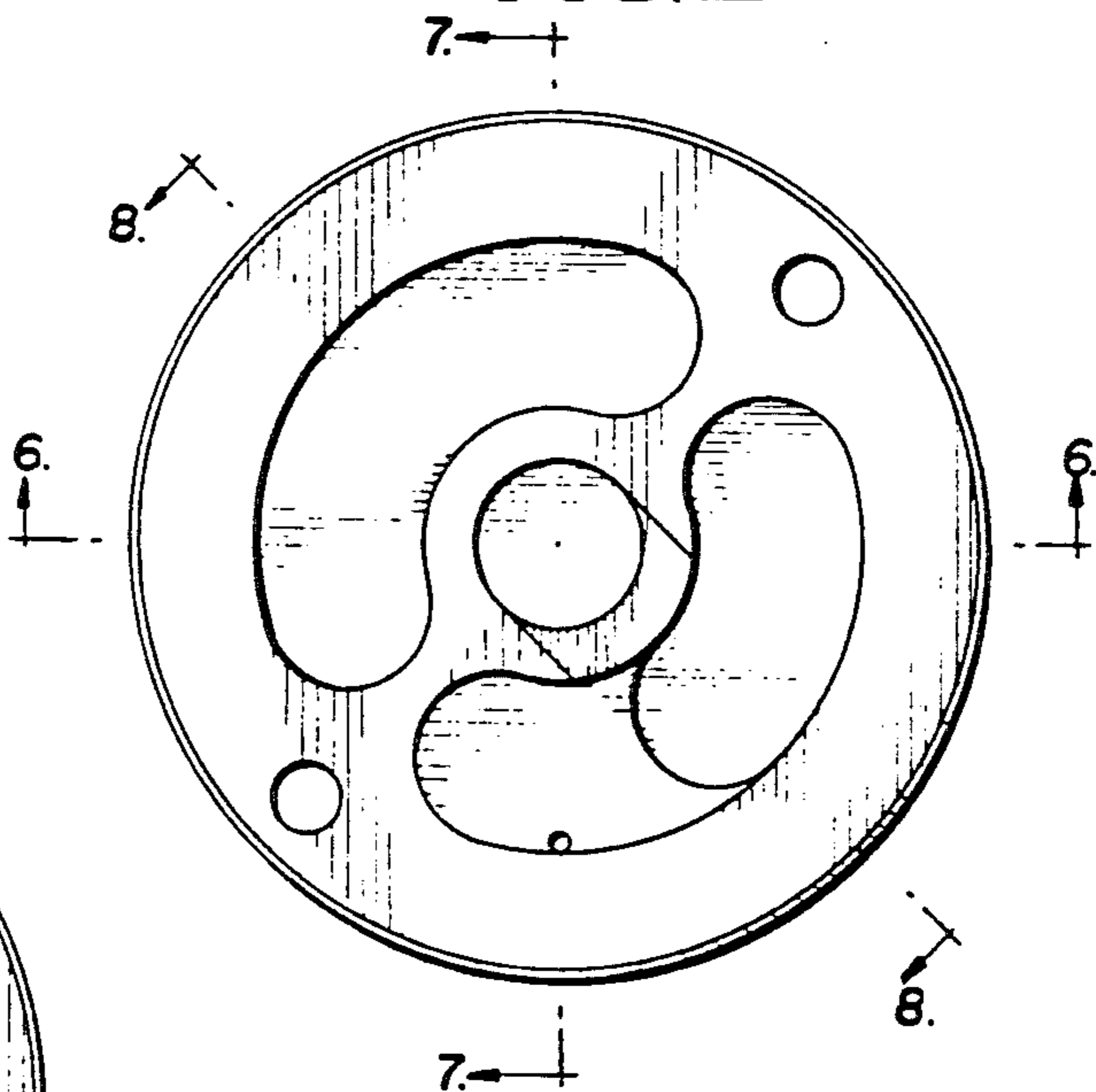
J. C. Whitney Catalog, p. 171, Item located lower right side of page.



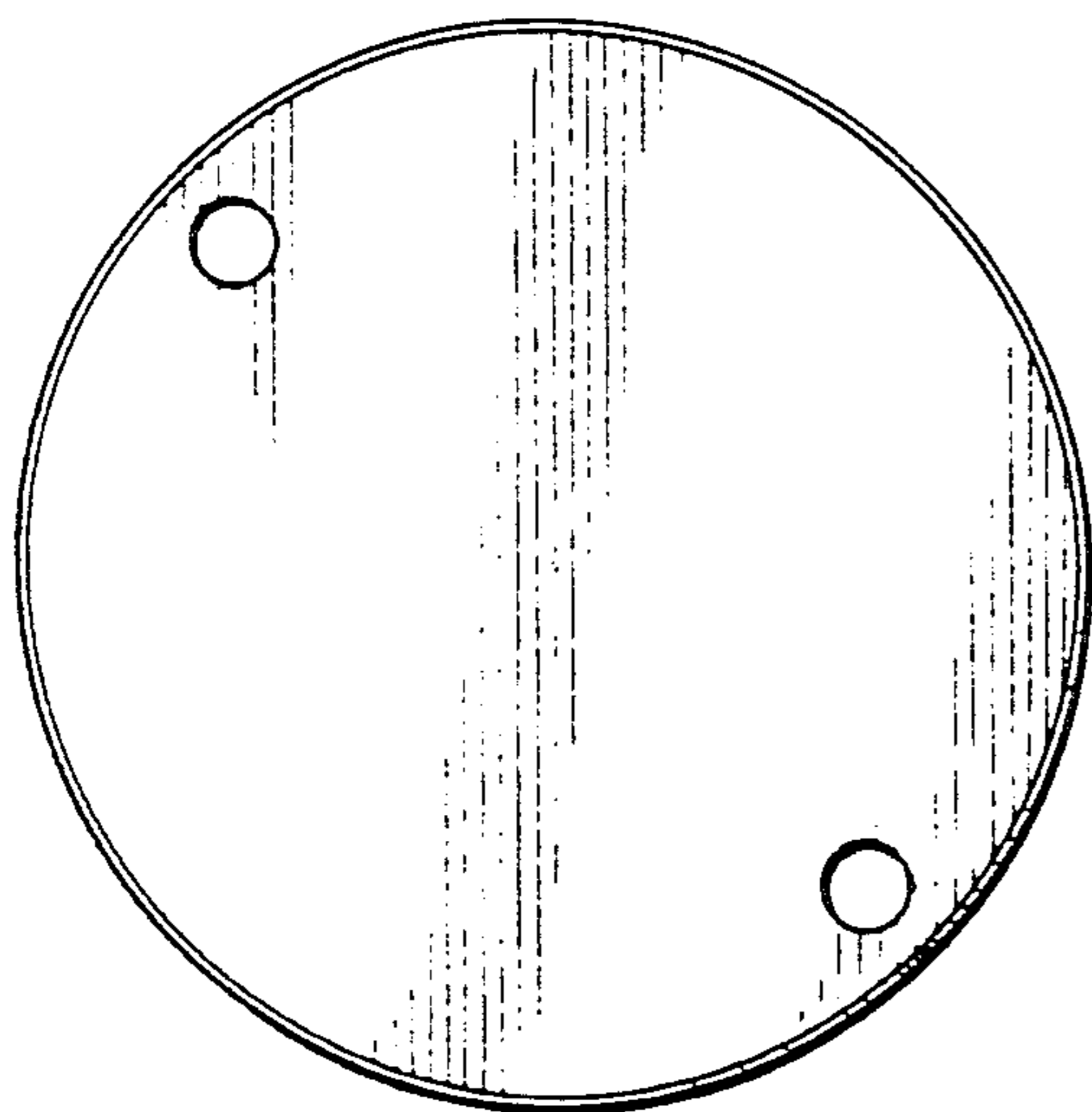
**FIG. 1**



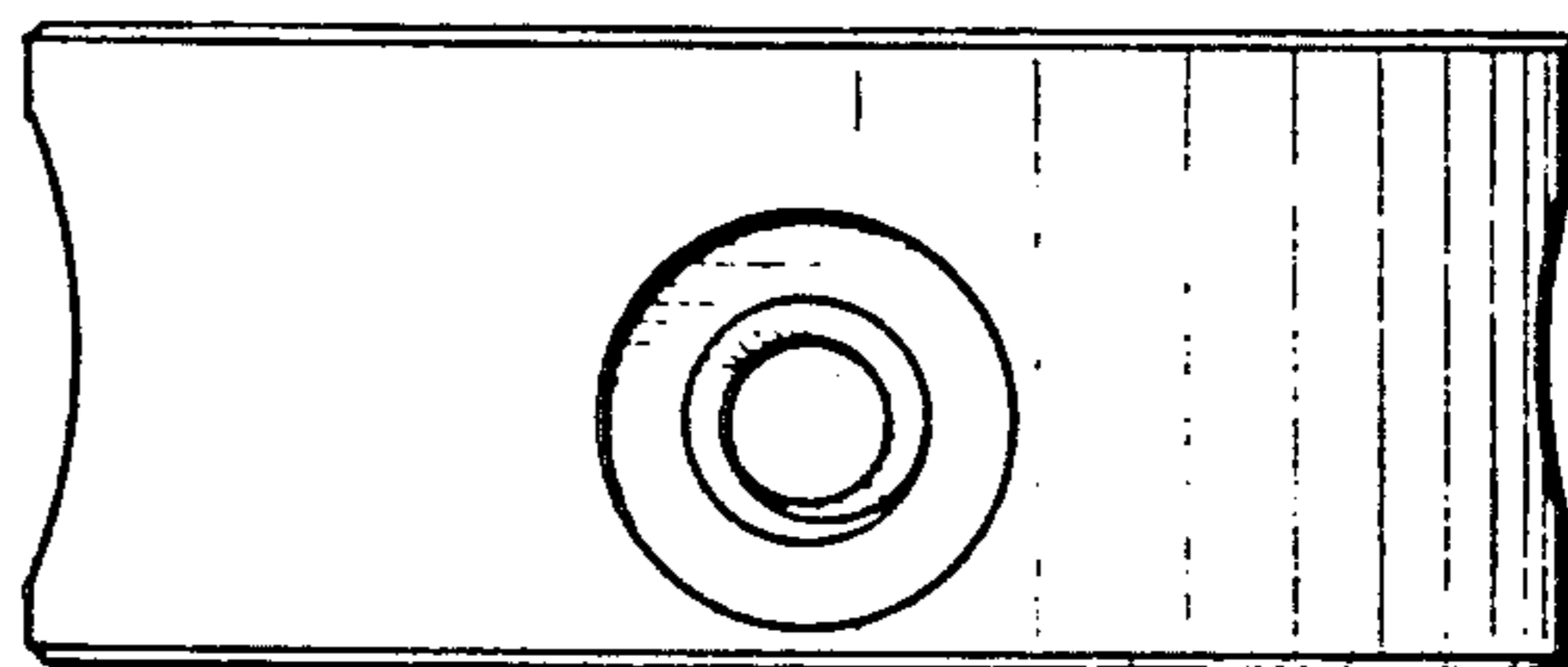
**FIG. 2**



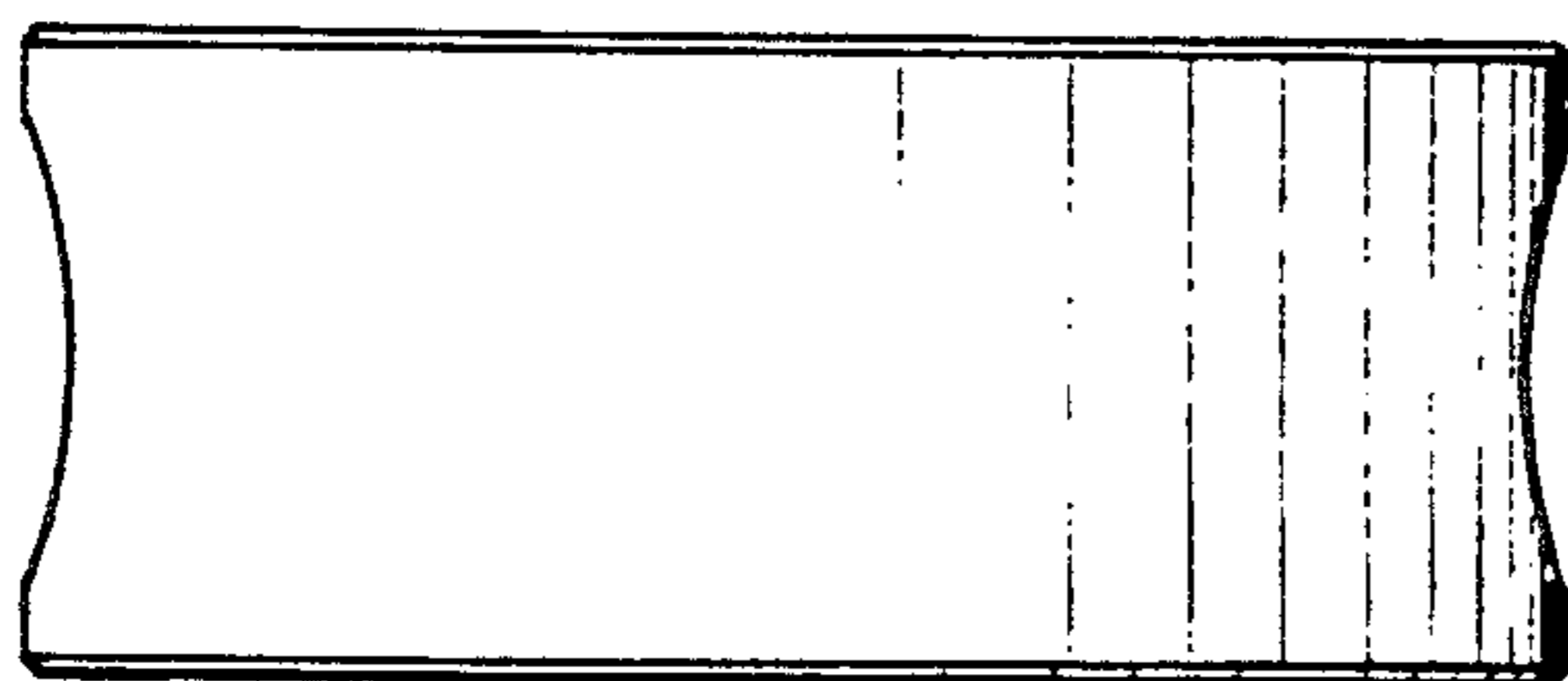
**FIG. 3**



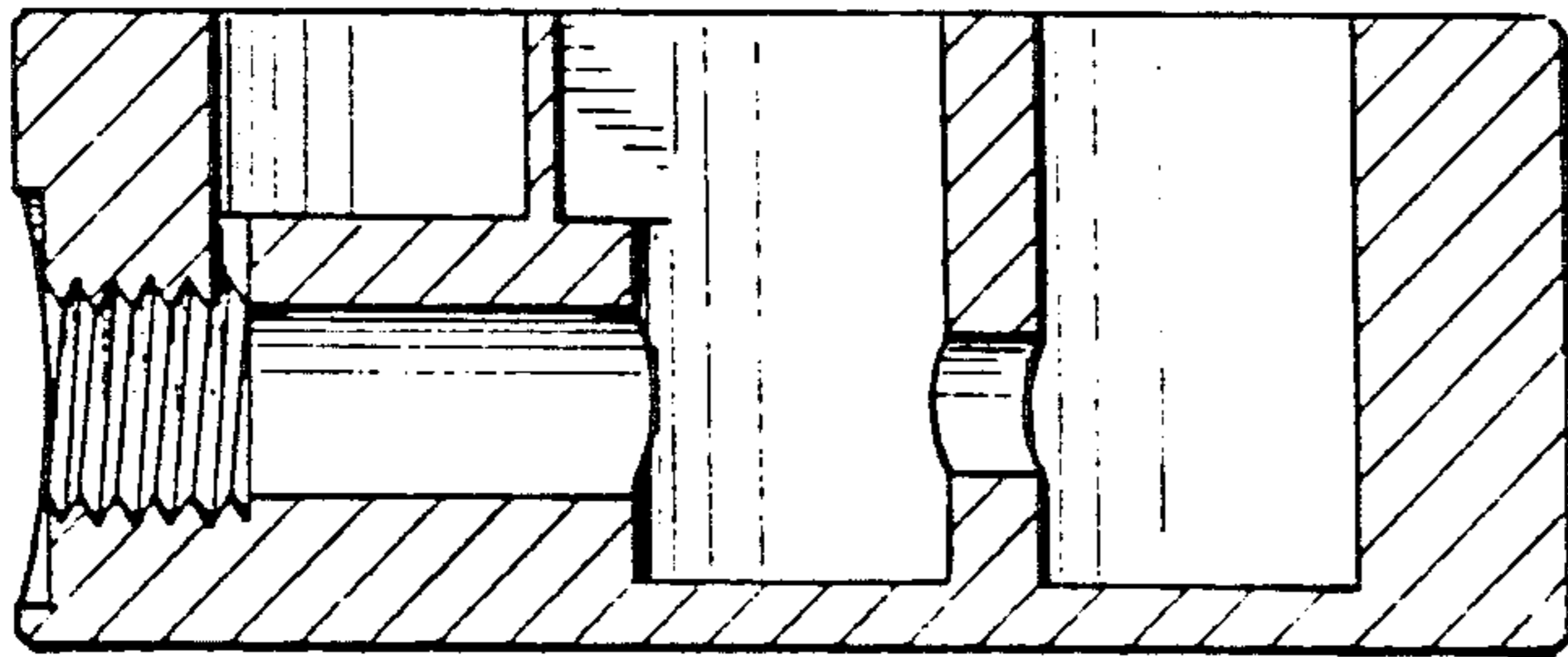
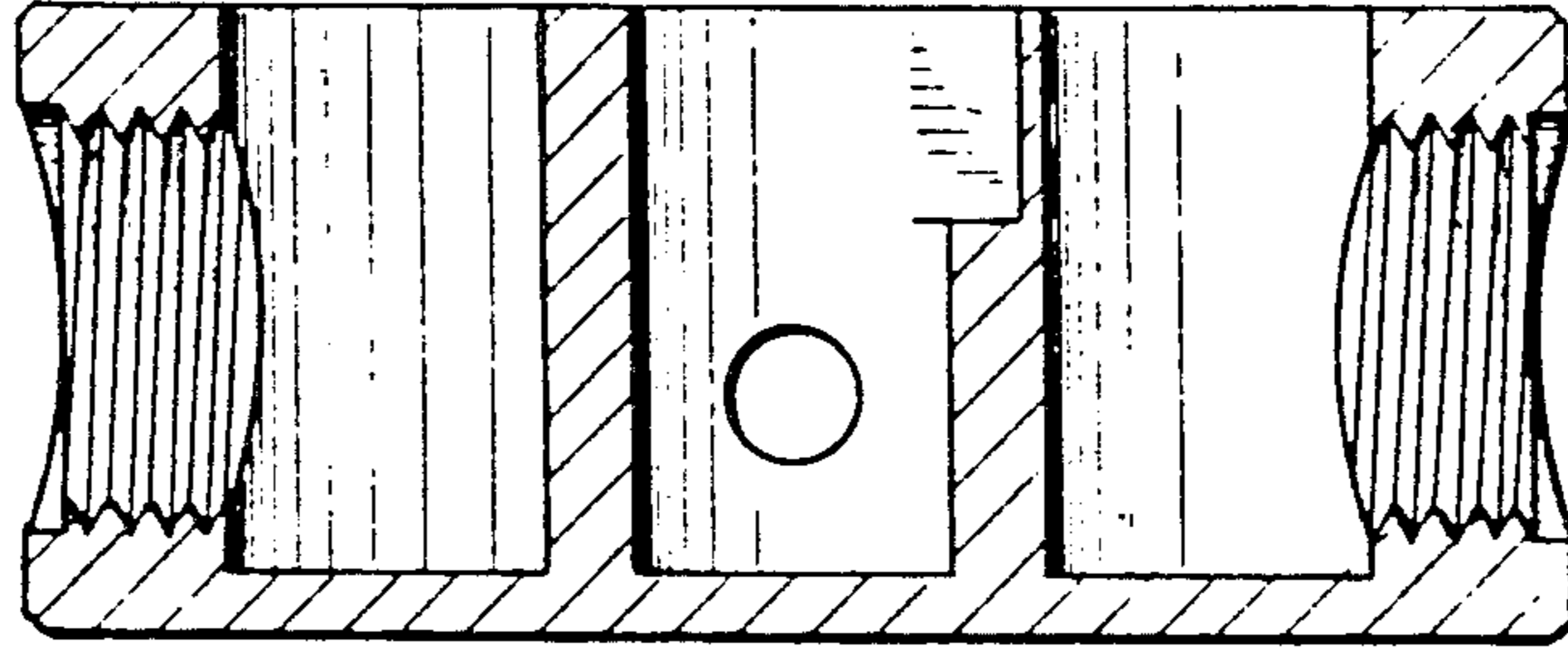
**FIG. 4**



**FIG. 5**



**FIG. 6**



**FIG. 7**

**FIG. 8**

