



US00D327272S

United States Patent [19]

[11] Patent Number: **Des. 327,272**

Cadotte et al.

[45] Date of Patent: **** Jun. 23, 1992**

[54] LIQUID RING PUMP

[56]

References Cited

[75] Inventors: **Richard G. Cadotte, Norwalk; Carl G. Dudeck, Newtown, both of Conn.**

D. 245,501	8/1977	Fitch	D15/7
D. 283,224	4/1986	Lametto et al.	D15/7
D. 285,447	9/1986	Dudeck et al.	D15/7
4,747,752	5/1988	Somarakis	417/68
4,755,107	7/1988	Trimborn	417/68

[73] Assignee: **The Nash Engineering Company, Norwalk, Conn.**

Primary Examiner—A. Hugo Word
Assistant Examiner—R. Seifert
Attorney, Agent, or Firm—Robert R. Jackson

[*] Notice: The portion of the term of this patent subsequent to Jun. 23, 2006 has been disclaimed.

[57] CLAIM

[**] Term: **14 Years**

The ornamental design for a liquid ring pump, as shown.

[21] Appl. No.: **491,650**

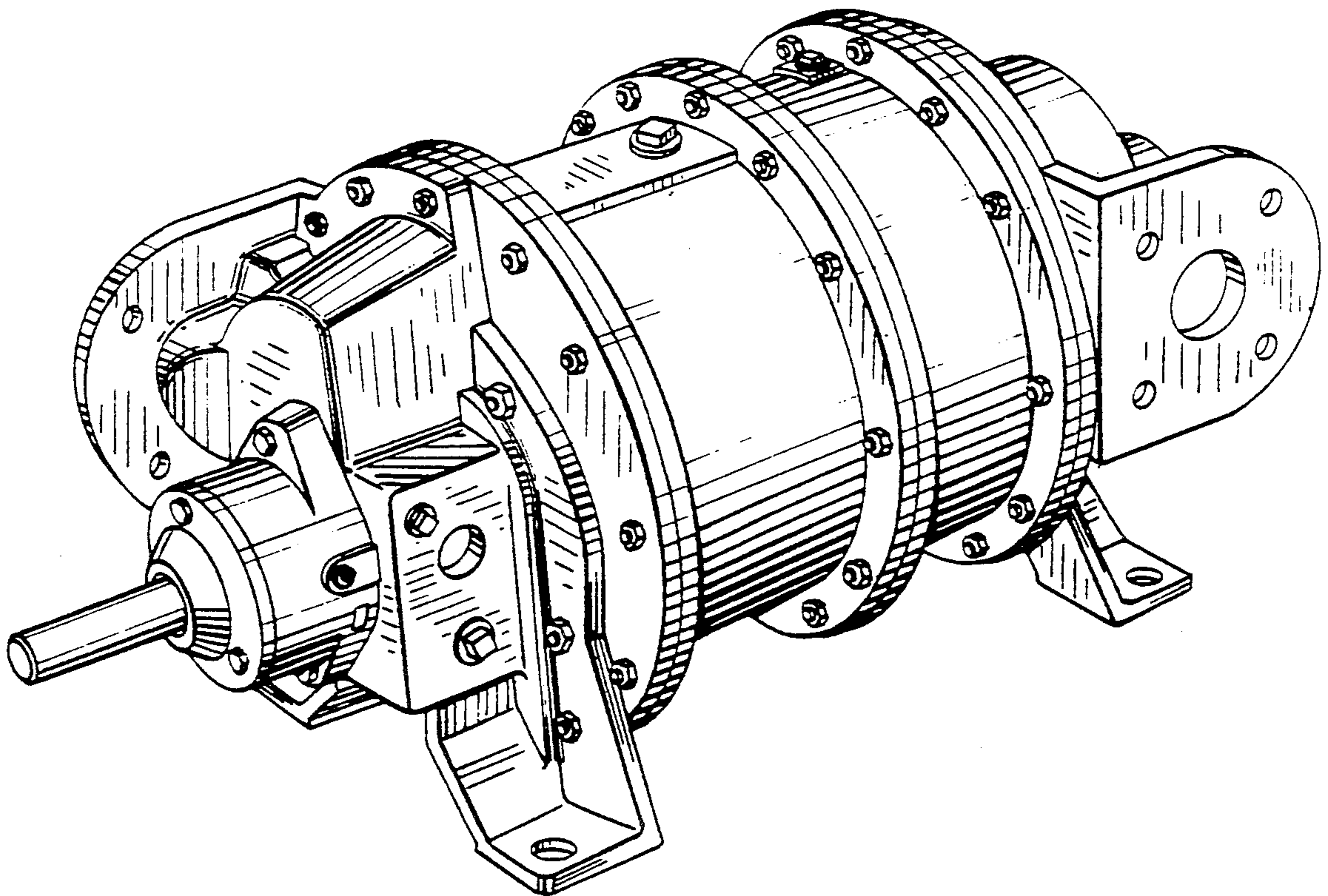
DESCRIPTION

[22] Filed: **Mar. 12, 1990**

[52] U.S. Cl. **D15/7**

[58] Field of Search **D15/7-9; D13/114; 417/360, 410, 423.3, 83, 68, 69**

FIG. 1 is a perspective view of a liquid ring pump showing our new design;
FIG. 2 is a left end elevational view thereof;
FIG. 3 is a right end elevational view thereof;
FIG. 4 is a rear elevational view thereof;
FIG. 5 is a top plan view thereof; and,
FIG. 6 is a bottom plan view thereof.



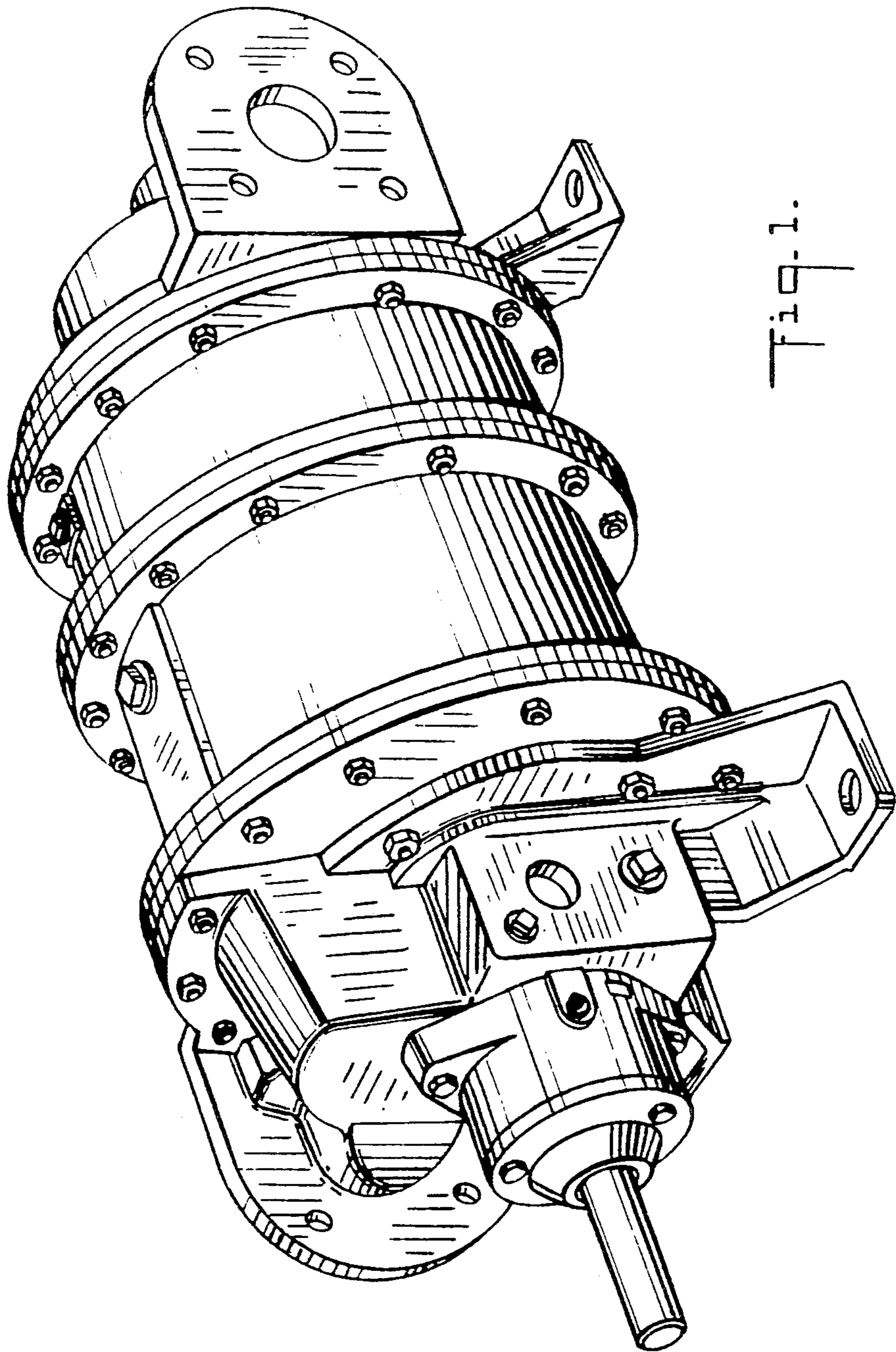


Fig. 1.

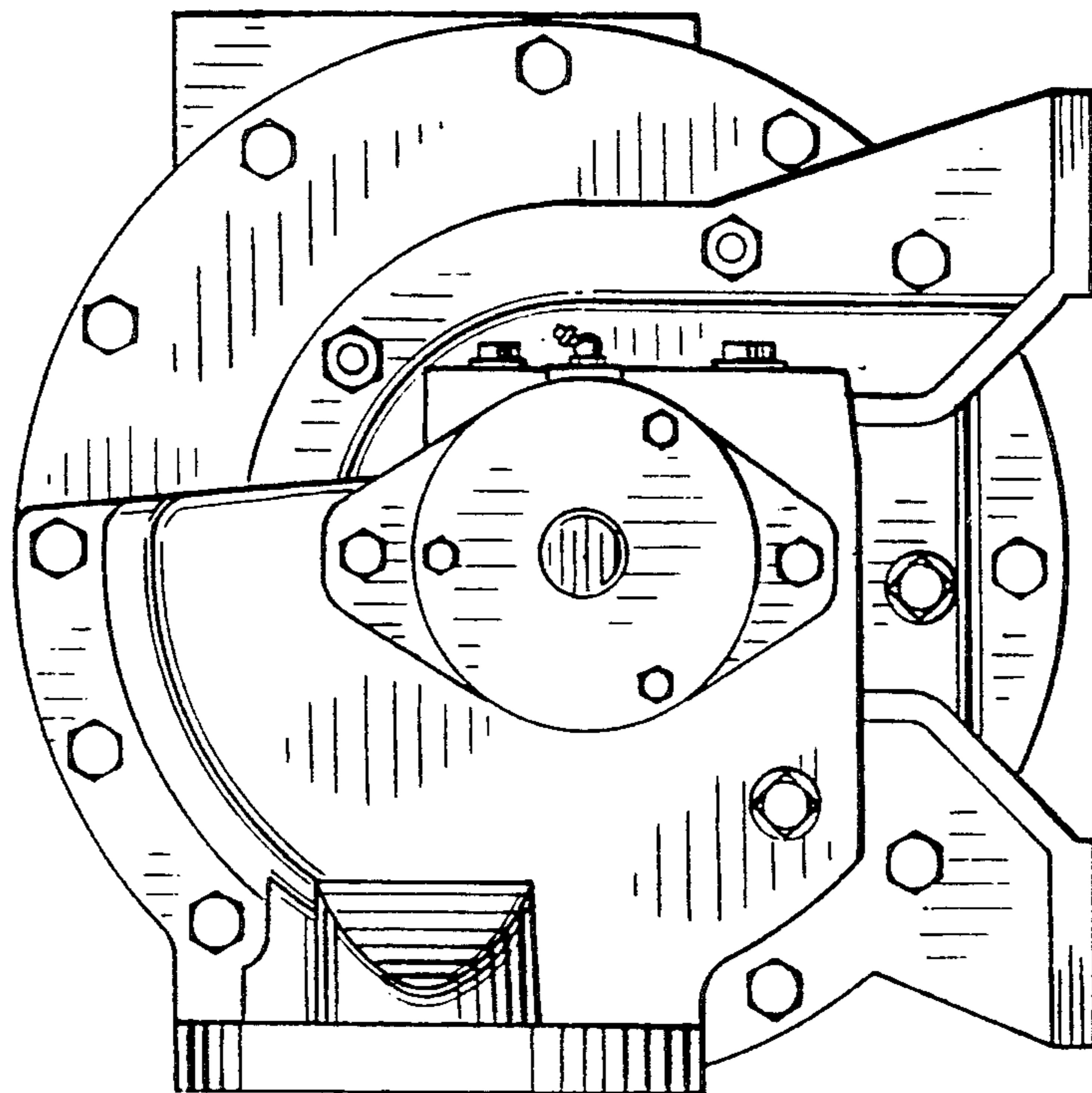


Fig. 3.

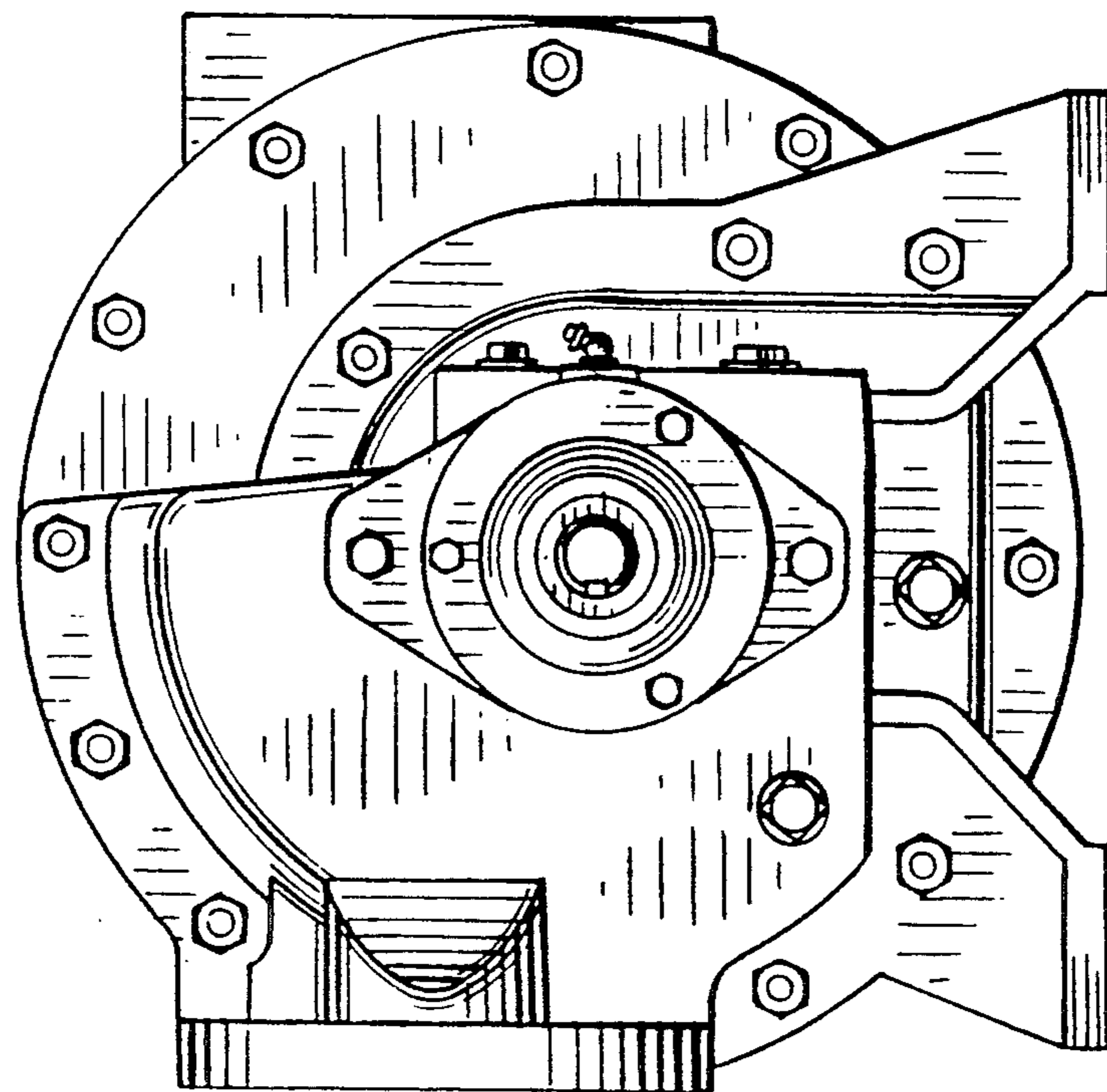


Fig. 2.

Fig. 4.

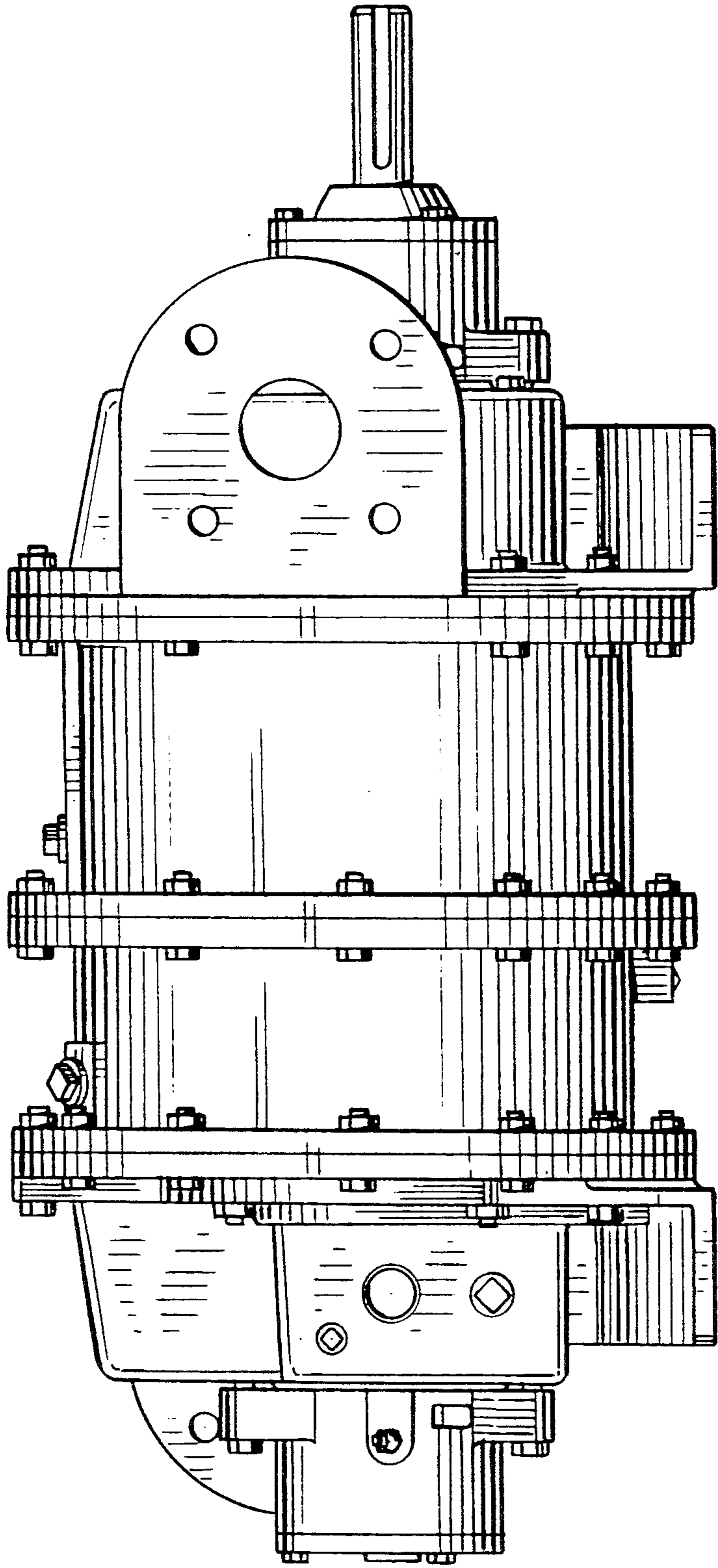
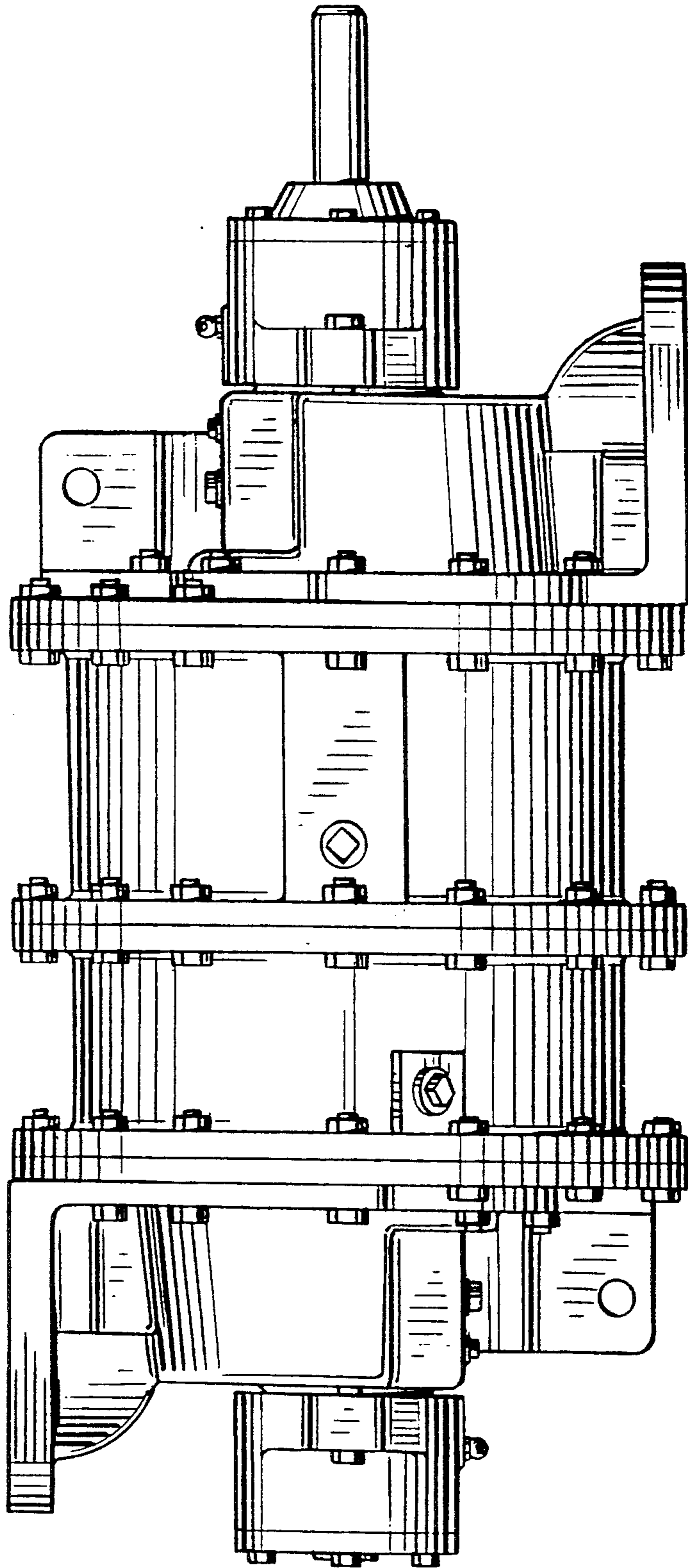


Fig. 5.



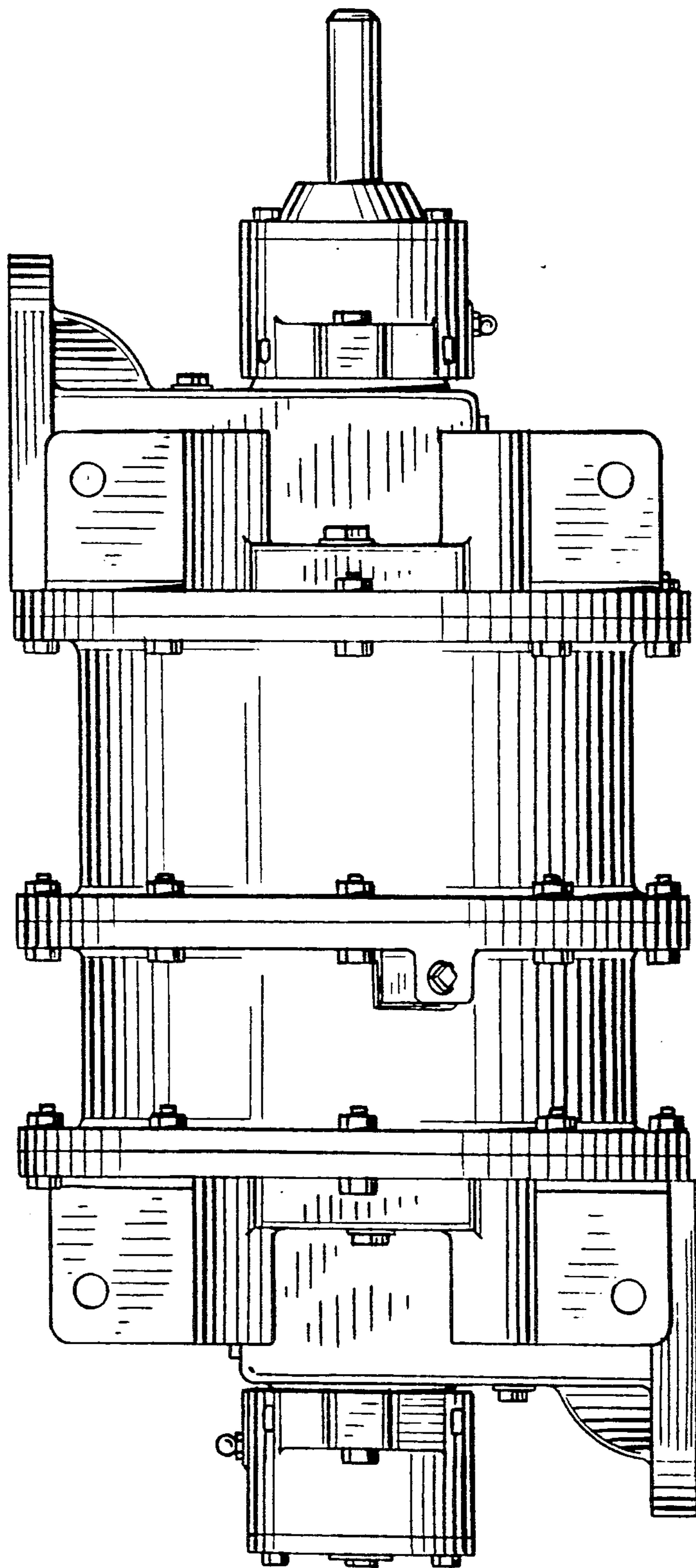


Fig. 6.