



US00D327271S

United States Patent [19]

Cadotte et al.

[11] Patent Number: **Des. 327,271**

[45] Date of Patent: **** Jun. 23, 1992**

[54] LIQUID RING PUMP

[75] Inventors: **Richard G. Cadotte, Norwalk; Carl G. Dudeck, Newtown, both of Conn.**

[73] Assignee: **The Nash Engineering Company, Norwalk, Conn.**

[*] Notice: The portion of the term of this patent subsequent to Jun. 23, 2006 has been disclaimed.

[**] Term: **14 Years**

[21] Appl. No.: **491,649**

[22] Filed: **Mar. 12, 1990**

[52] U.S. Cl. **D15/7**

[58] Field of Search **D15/7-9; D13/114; 417/360, 410, 423.3, 83, 68, 69**

[56] References Cited

U.S. PATENT DOCUMENTS

D. 245,501	8/1977	Fitch	D15/7
D. 283,224	4/1986	Lametto et al.	D15/7
D. 285,447	9/1986	Dudeck et al.	D15/7
4,747,752	5/1988	Somarakis	417/68
4,755,107	7/1988	Trimborn	417/68

Primary Examiner—A. Hugo Word

Assistant Examiner—R. Seifert

Attorney, Agent, or Firm—Robert R. Jackson

[57] CLAIM

The ornamental design for a liquid ring pump, as shown.

DESCRIPTION

FIG. 1 is a perspective view of a liquid ring pump showing our new design;

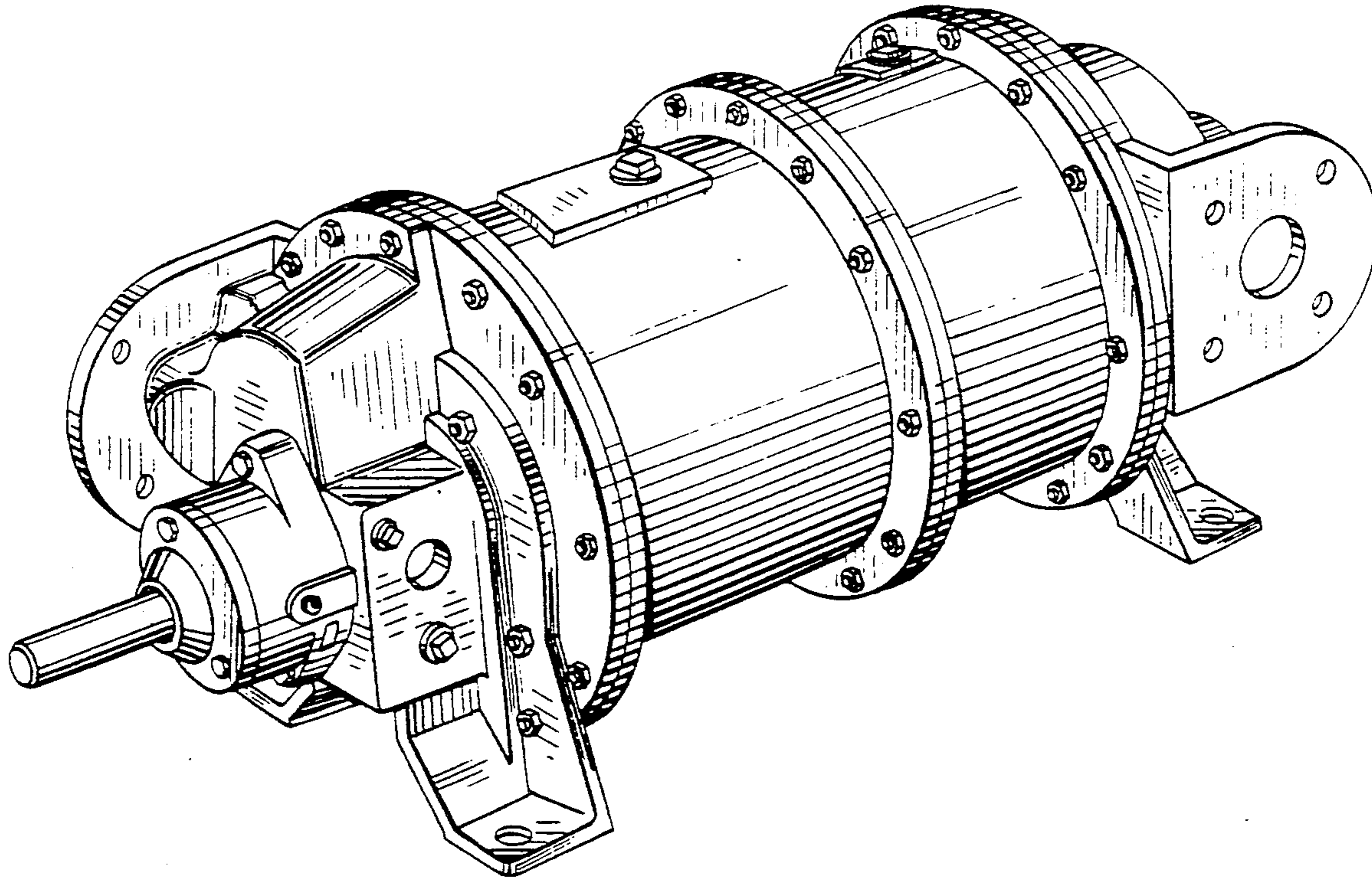
FIG. 2 is a left end elevational view thereof;

FIG. 3 is a right end elevational view thereof;

FIG. 4 is a rear elevational view thereof;

FIG. 5 is a top plan view thereof; and,

FIG. 6 is a bottom plan view thereof.



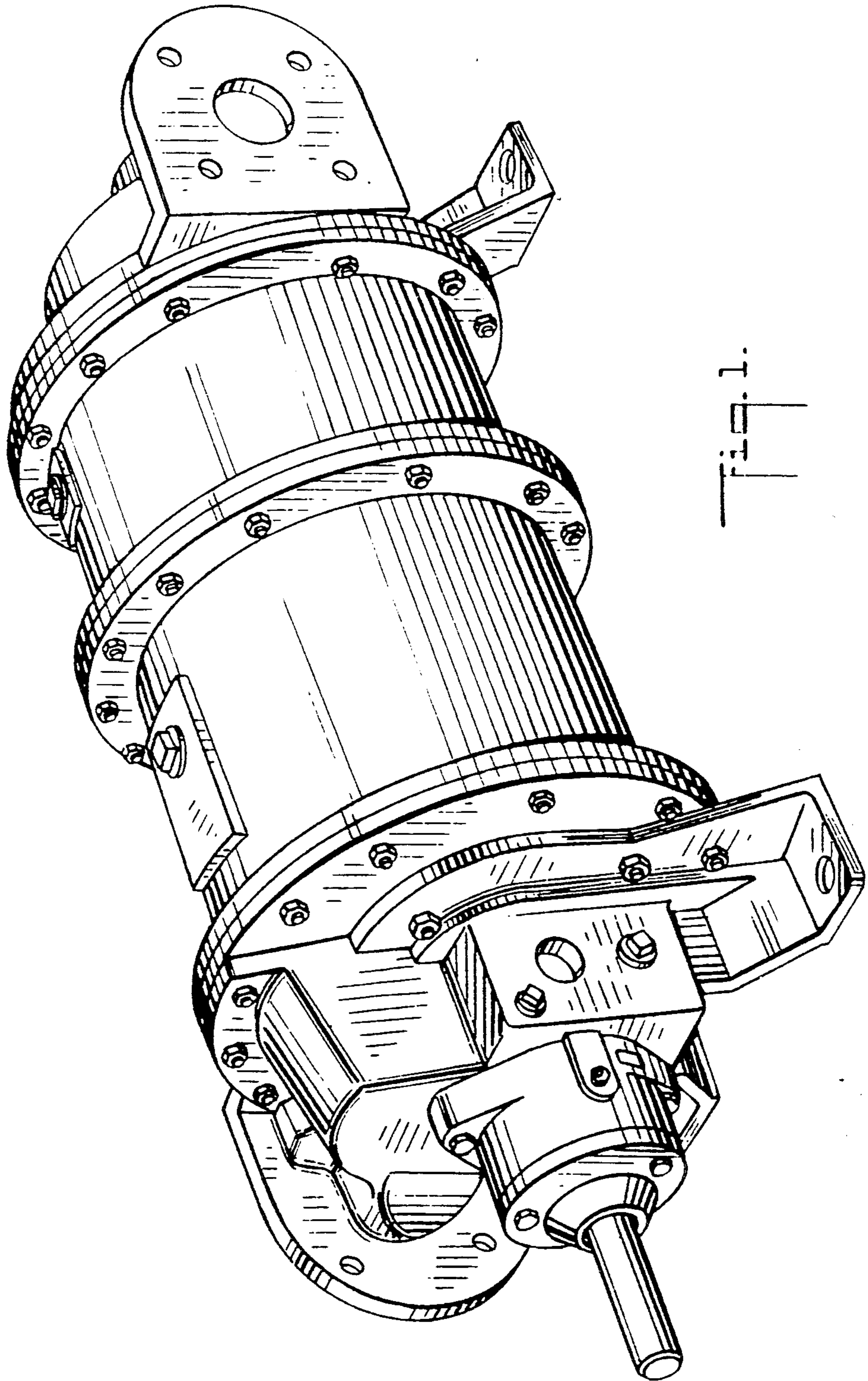


Fig. 1.

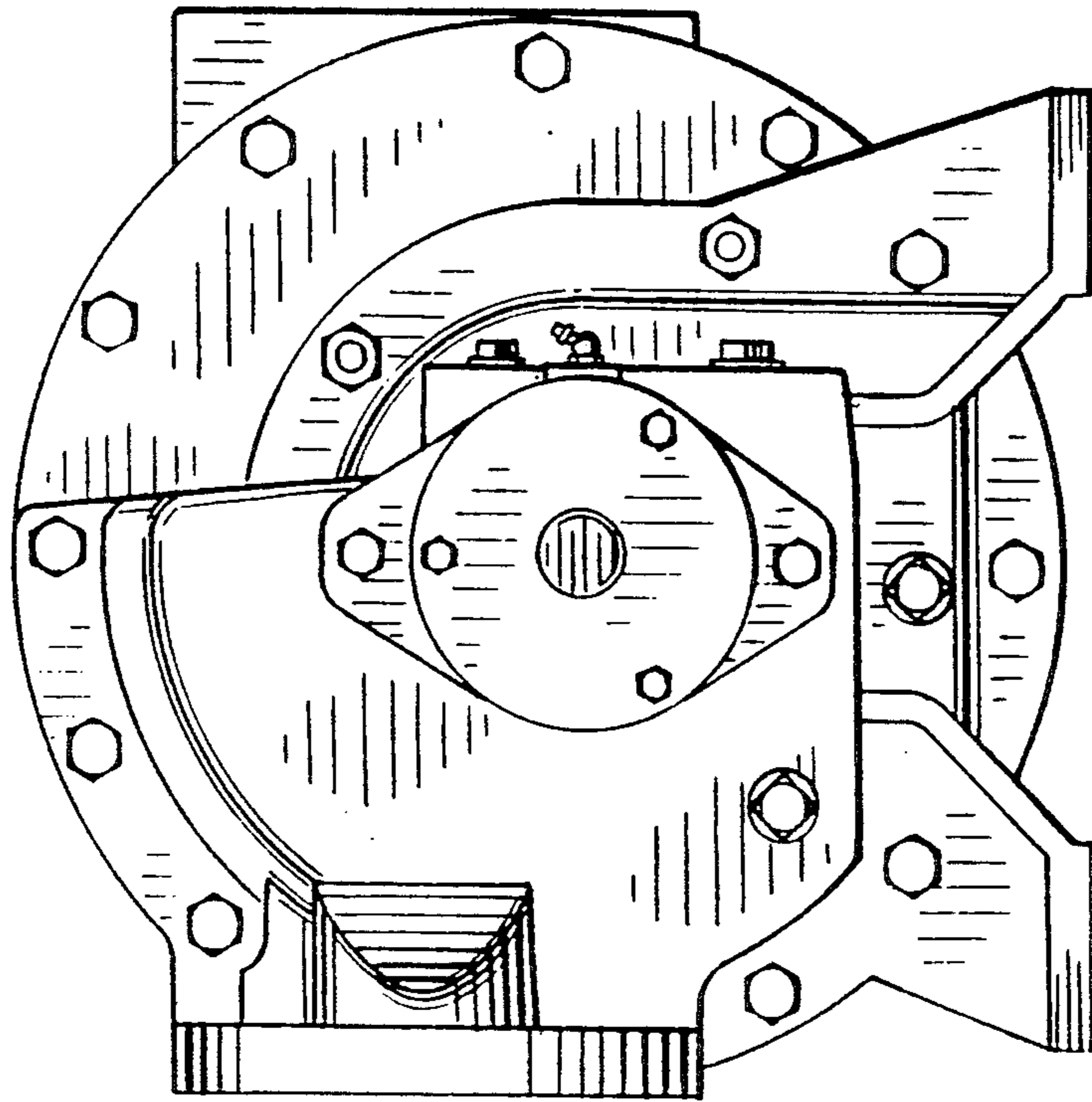


FIG. 3.

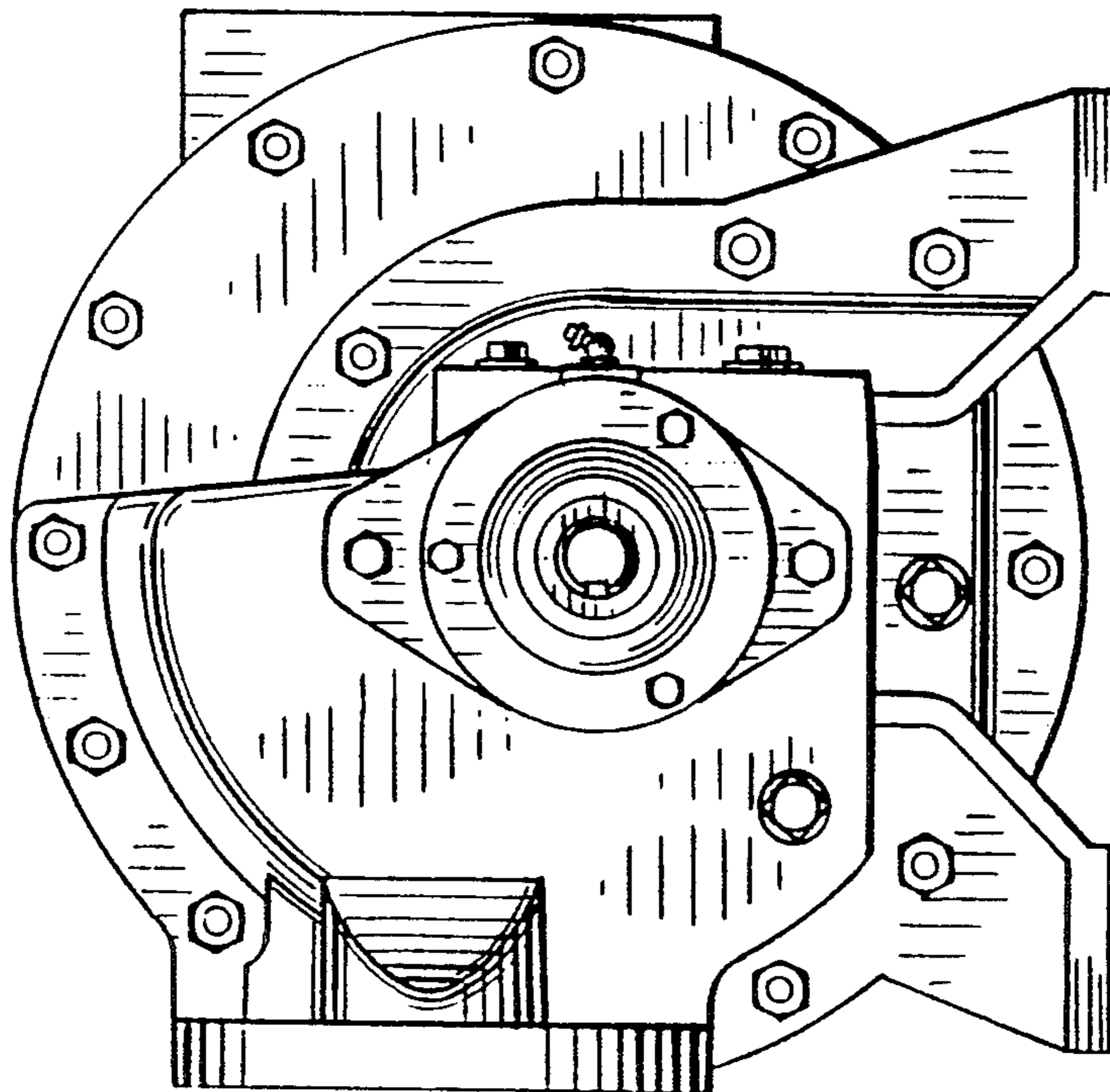
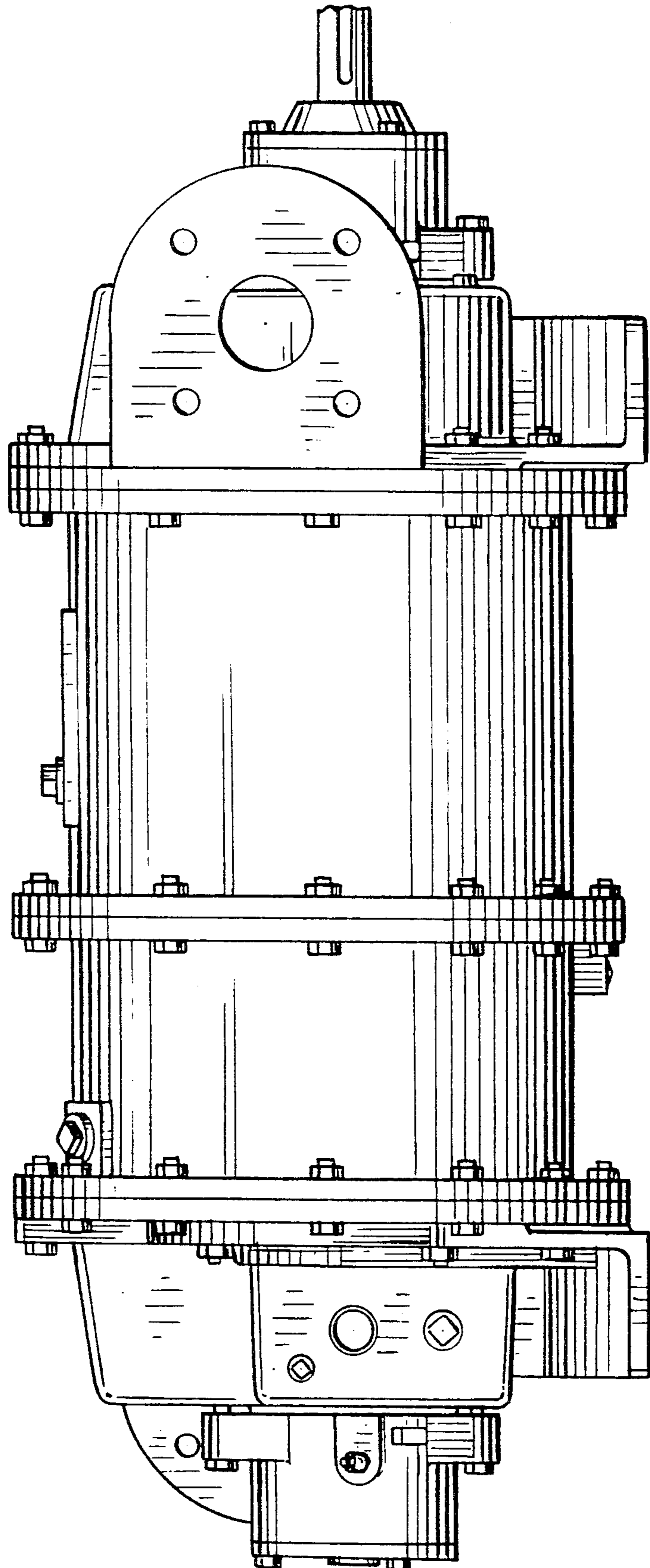


FIG. 2.

Fig. 4.



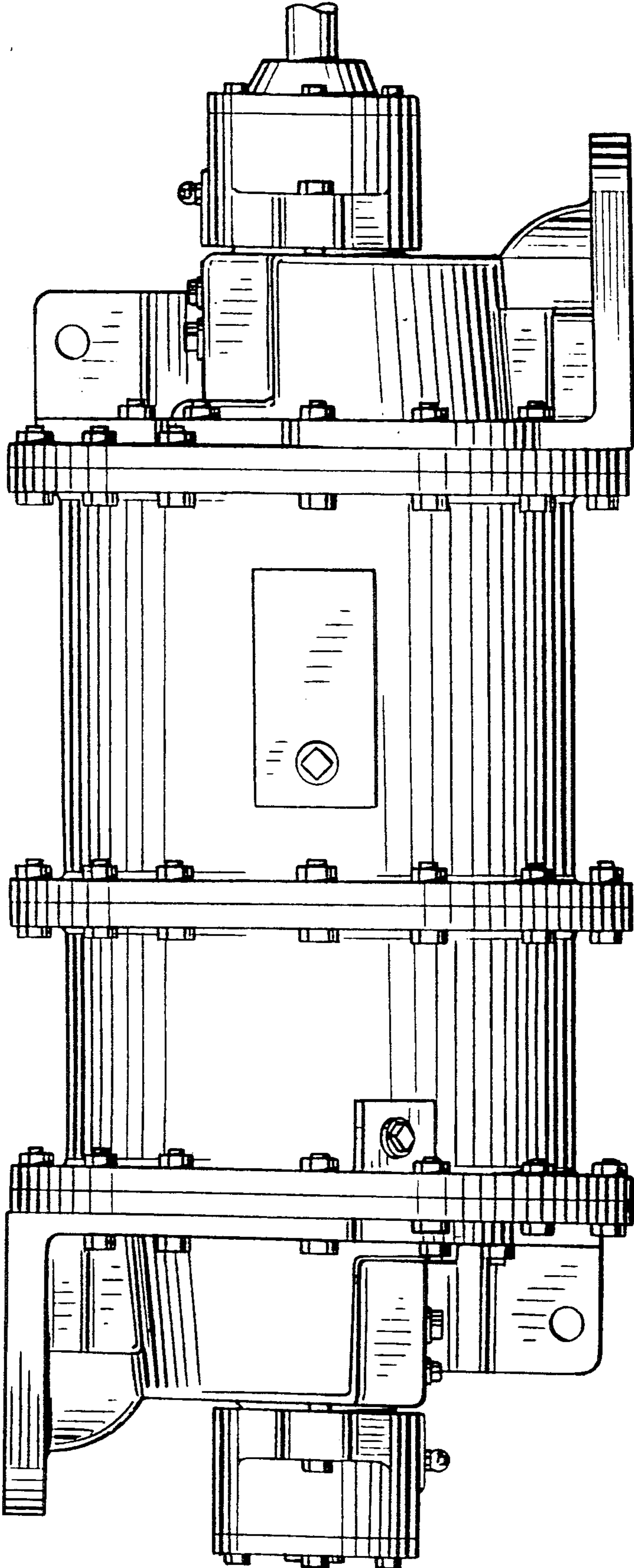


Fig. 5

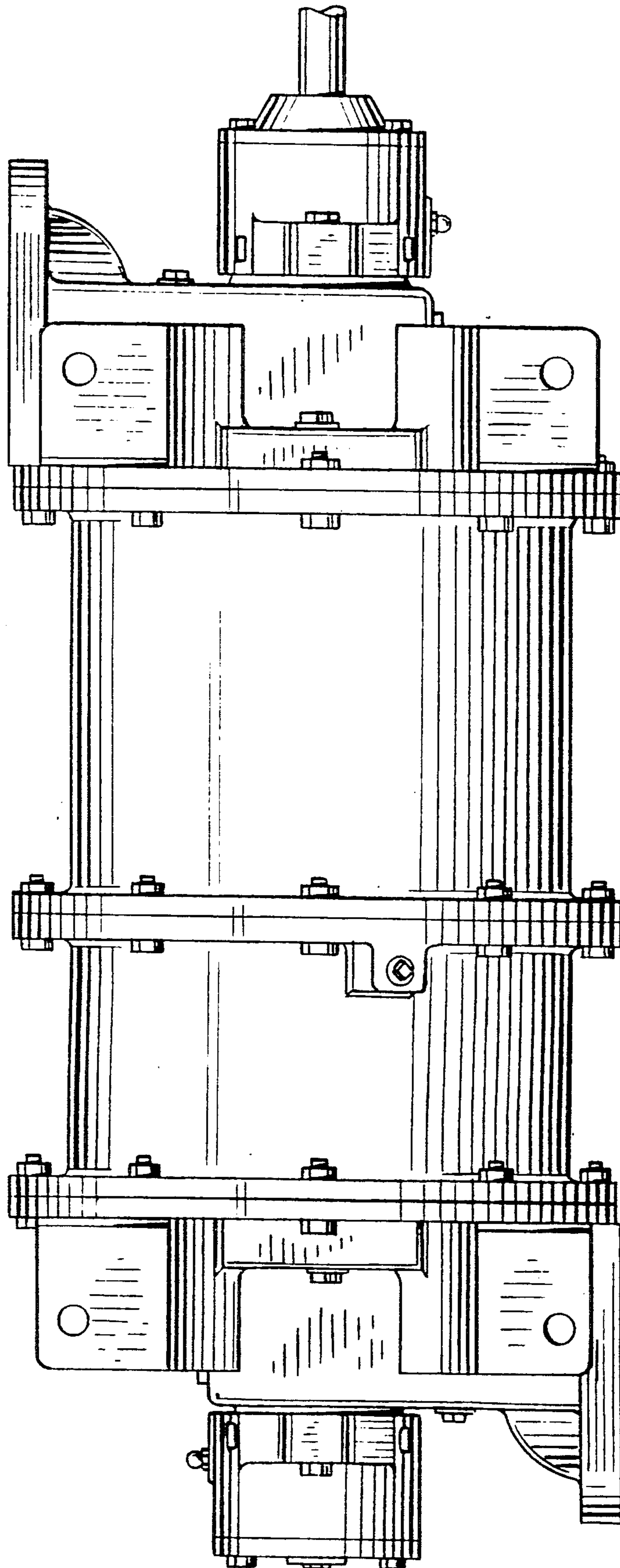


Fig. 5.