



US00D327262S

United States Patent [19]
Goatman

[11] **Patent Number: Des. 327,262**

[45] **Date of Patent: ** Jun. 23, 1992**

[54] **MOBILE RADIO**

[75] **Inventor: Michael C. Goatman, Eindhoven, Netherlands**

[73] **Assignee: U.S. Philips Corporation, New York, N.Y.**

[**] **Term: 14 Years**

[21] **Appl. No.: 461,478**

[22] **Filed: Jan. 3, 1990**

[30] **Foreign Application Priority Data**

Jul. 12, 1989 [XH] Hague DM/014058
[52] **U.S. Cl. D14/137; D14/157**
[58] **Field of Search D14/124, 137-139, D14/157, 299; 455/73, 89-90**

[56] **References Cited**

U.S. PATENT DOCUMENTS

D. 298,133 10/1988 Tokiyama et al. D14/157
D. 300,635 4/1989 Dickson D14/137 X
D. 303,802 10/1989 Culbertson D14/137 X
D. 312,456 11/1990 Kasparian et al. D14/137

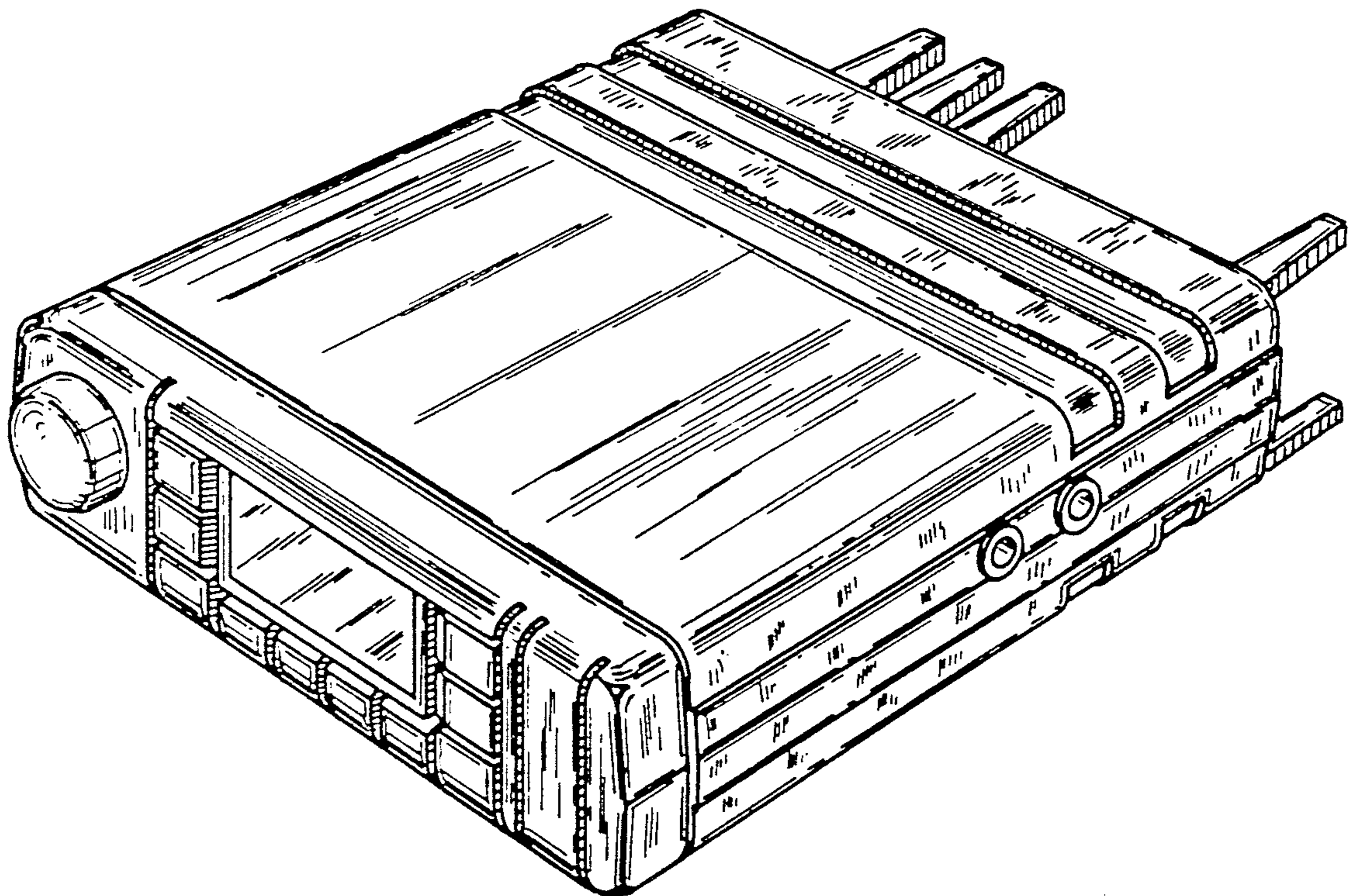
Primary Examiner—Theodore M. Shooman
Attorney, Agent, or Firm—Jack E. Haken

[57] **CLAIM**

The ornamental design for a mobile radio, as shown.

DESCRIPTION

FIG. 1 is a top, front and right side perspective view of a mobile radio showing my new design;
FIG. 2 is a front elevational view thereof;
FIG. 3 is a rear elevational view thereof;
FIG. 4 is a top plan view thereof;
FIG. 5 is a bottom plan view thereof;
FIG. 6 is a right side elevational view thereof; and
FIG. 7 is a left side elevational view thereof.



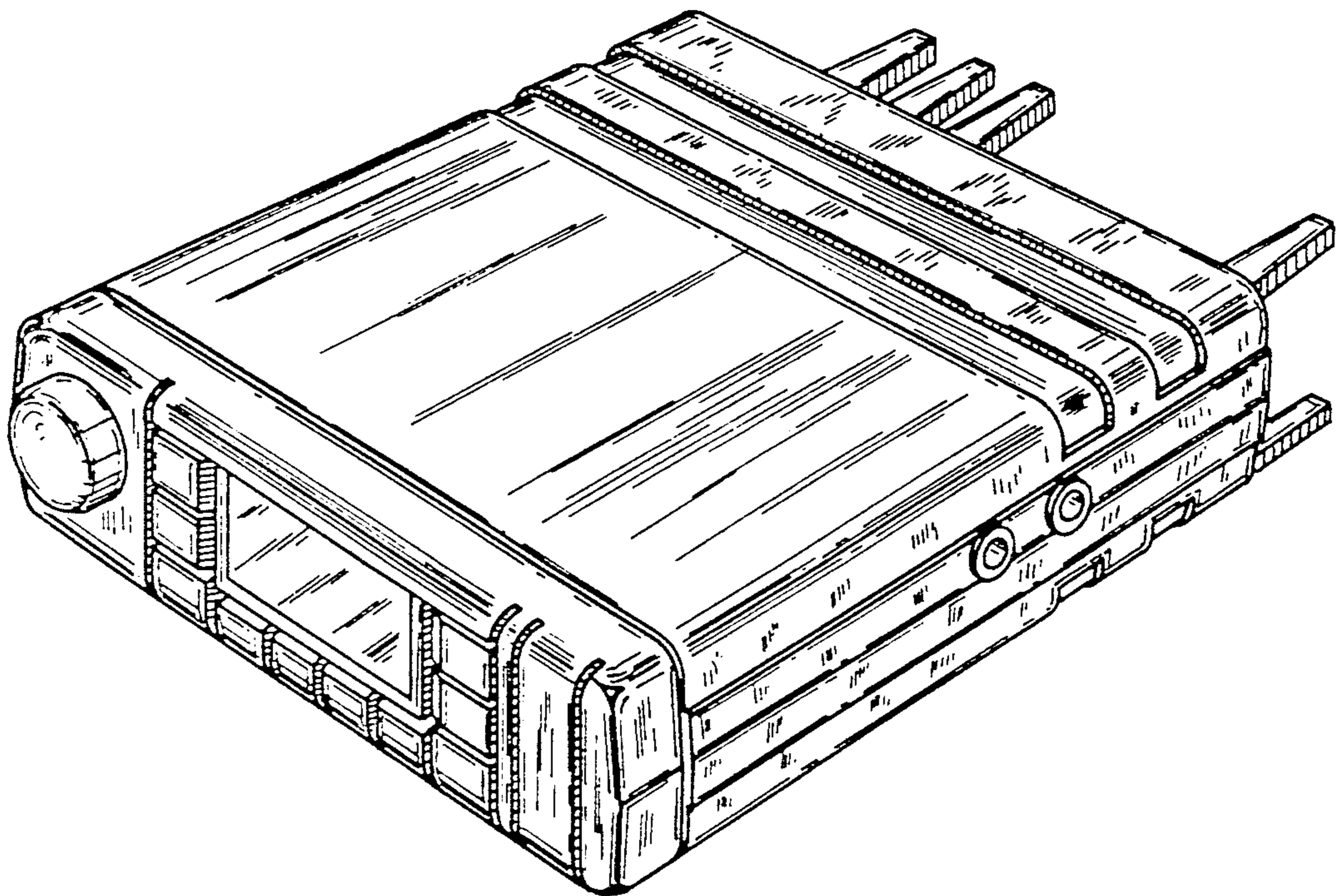


FIG. 1

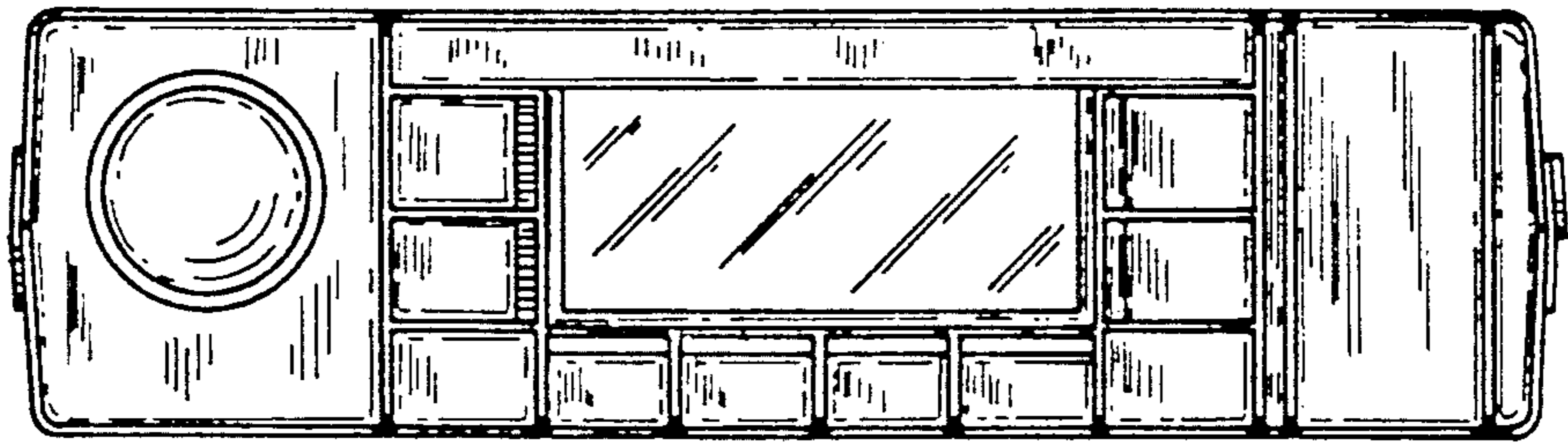


FIG. 2

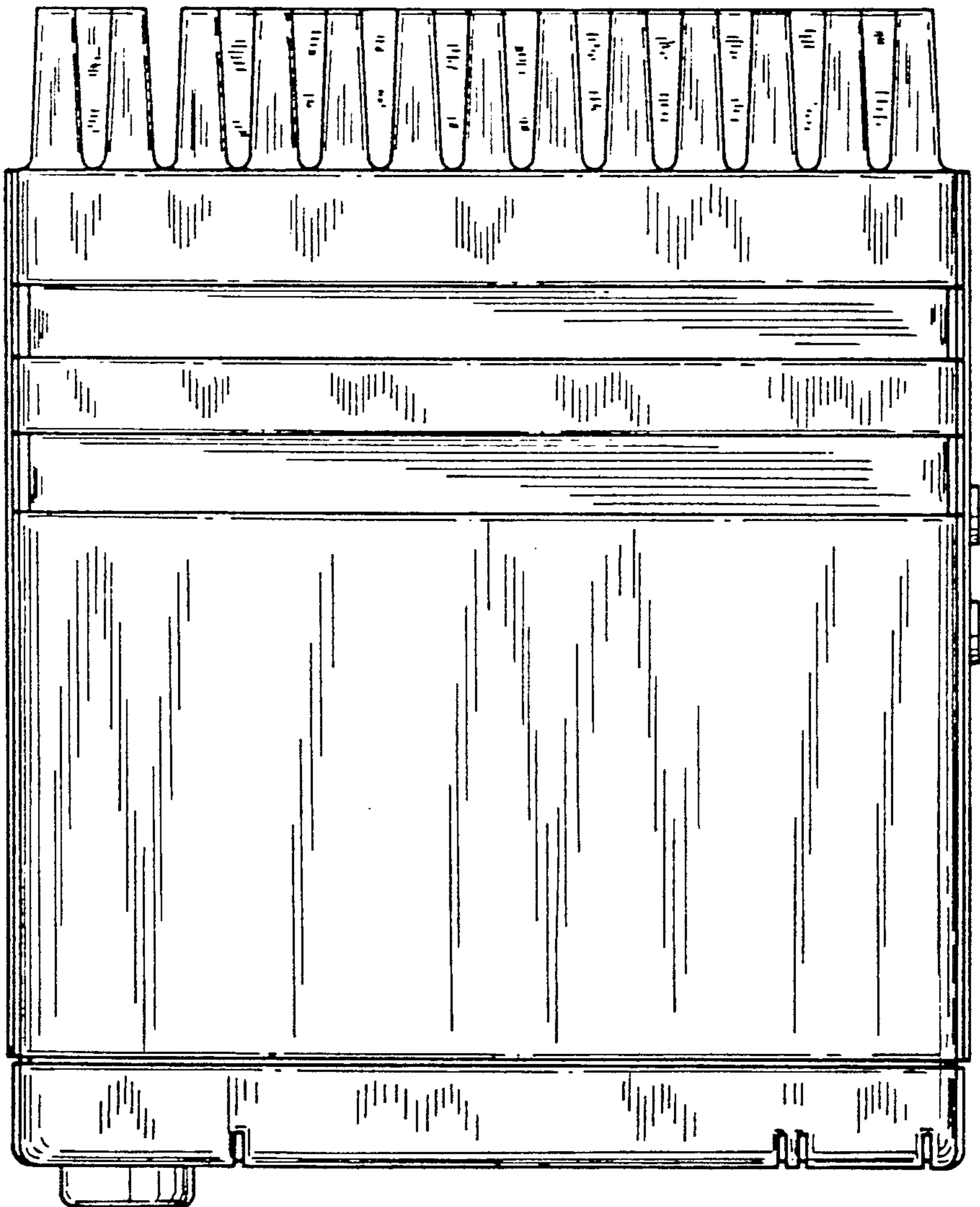


FIG. 4

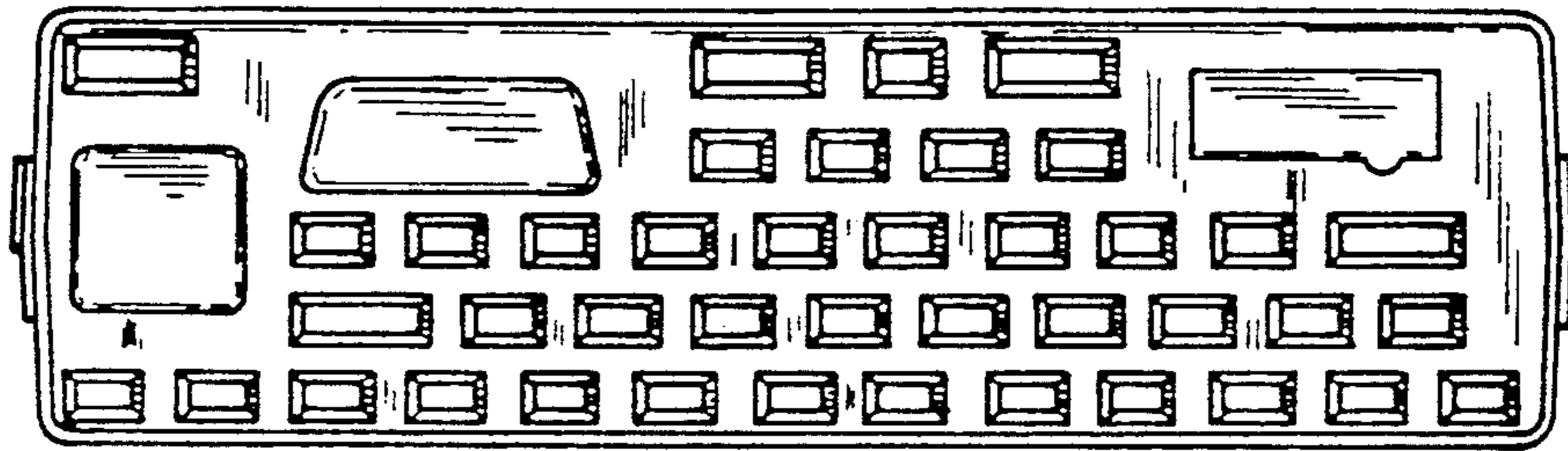


FIG. 3

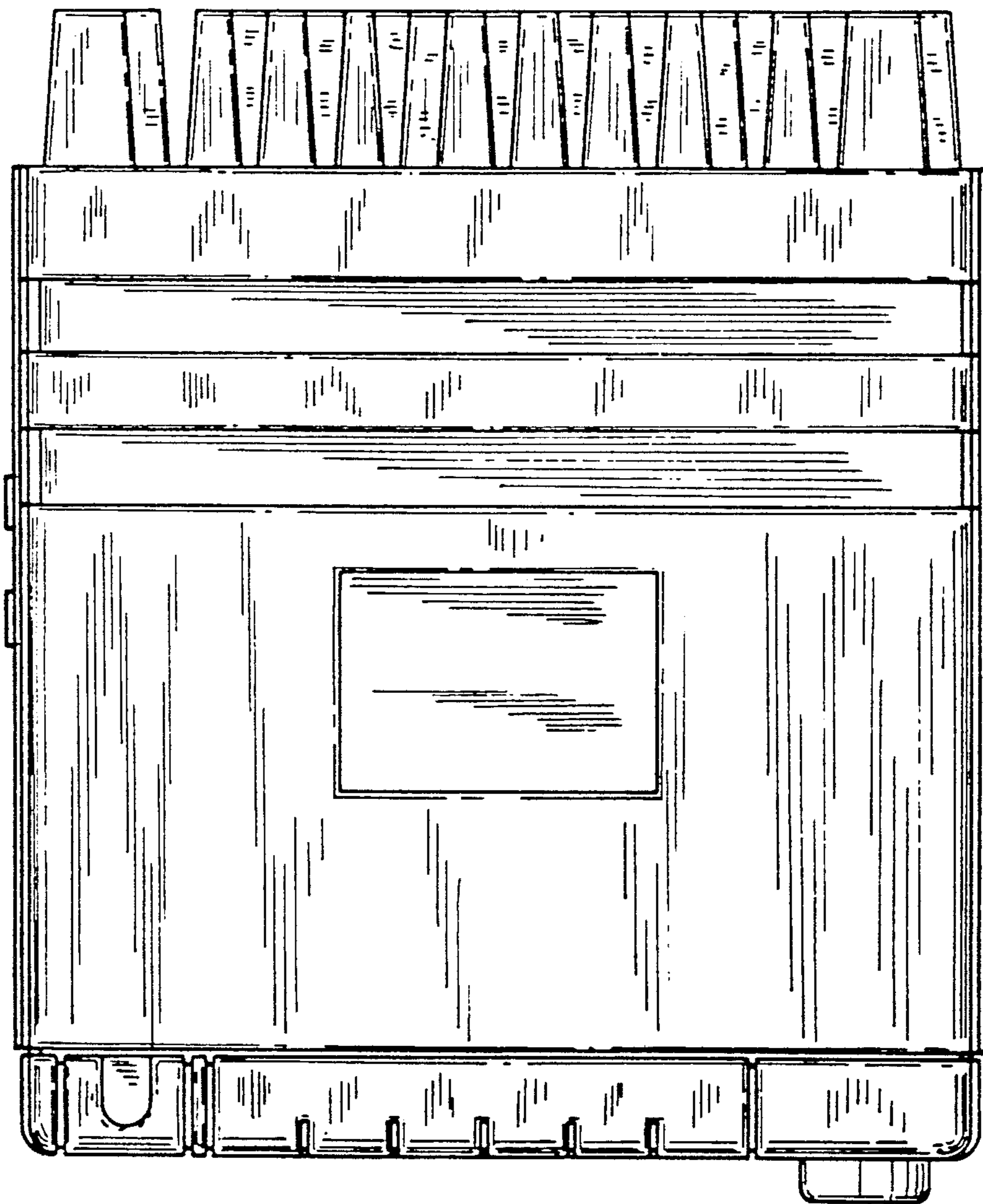


FIG. 5

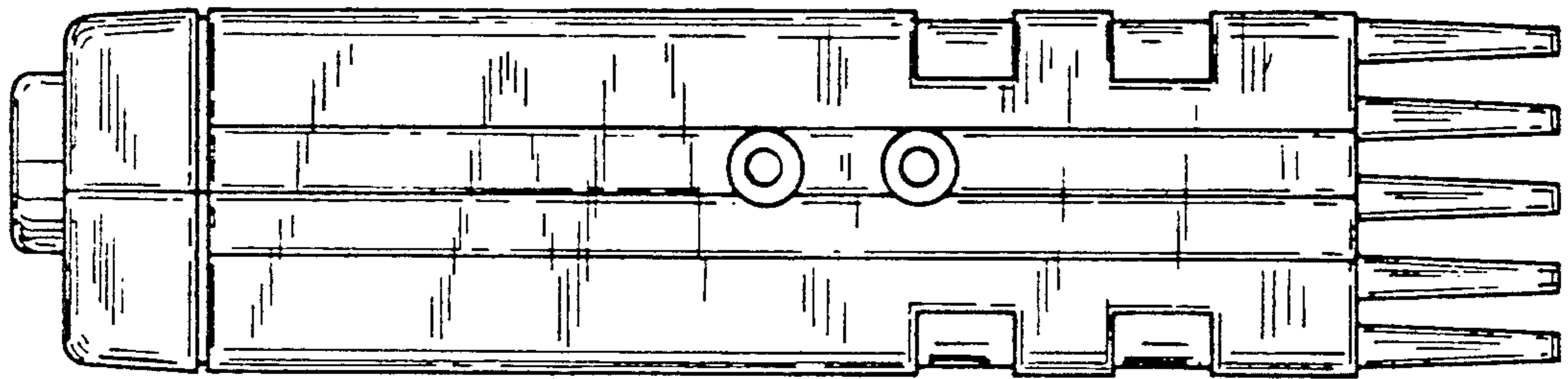


FIG. 6

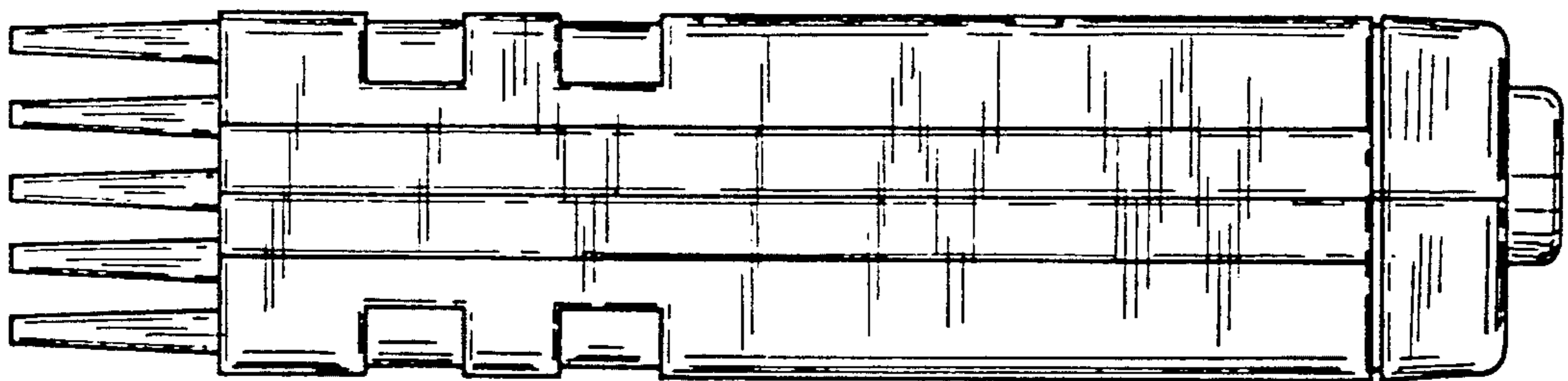


FIG. 7