



US00D327260S

United States Patent [19]

[11] Patent Number: Des. 327,260

Davis et al.

[45] Date of Patent: ** Jun. 23, 1992

[54] INTERCONNECT HOUSING FOR
COUPLING ELECTRICAL SIGNALS
BETWEEN A COMPUTER AND A CONTROL
UNIT

4,841,475 6/1989 Ishizuka 364/900
4,928,208 5/1990 Volpe et al. 361/380 X
4,955,071 9/1990 Wong et al. 361/391 X

[75] Inventors: Arnold M. Davis, Bloomington,
N.Y.; Samuel A. Lucente, Stamford,
Conn.; John J. Natoli, Woodstock,
N.Y.

Primary Examiner—Susan J. Lucas
Assistant Examiner—M. H. Tung
Attorney, Agent, or Firm—Robert L. Troike

[73] Assignee: International Business Machines
Corporation, Armonk, N.Y.

[57] CLAIM

The ornamental design for interconnect housing for
coupling electrical signals between a computer and a
control unit, as shown and described.

[**] Term: 14 Years

DESCRIPTION

[21] Appl. No.: 392,693

FIG. 1 is a left, front perspective view of an interconnect housing for coupling electrical signals between a computer and a control unit showing our new design; FIG. 2 is a right, front perspective view thereof; FIG. 3 is a front elevational view thereof; FIG. 4 is a left side elevational view thereof, on an enlarged scale; FIG. 5 is a right side elevational view thereof, on an enlarged scale; FIG. 6 is a rear elevational view thereof; FIG. 7 is a left rear perspective view thereof; FIG. 8 is a right rear perspective view thereof; and, FIG. 9 is a top view thereof.

[22] Filed: Aug. 11, 1989

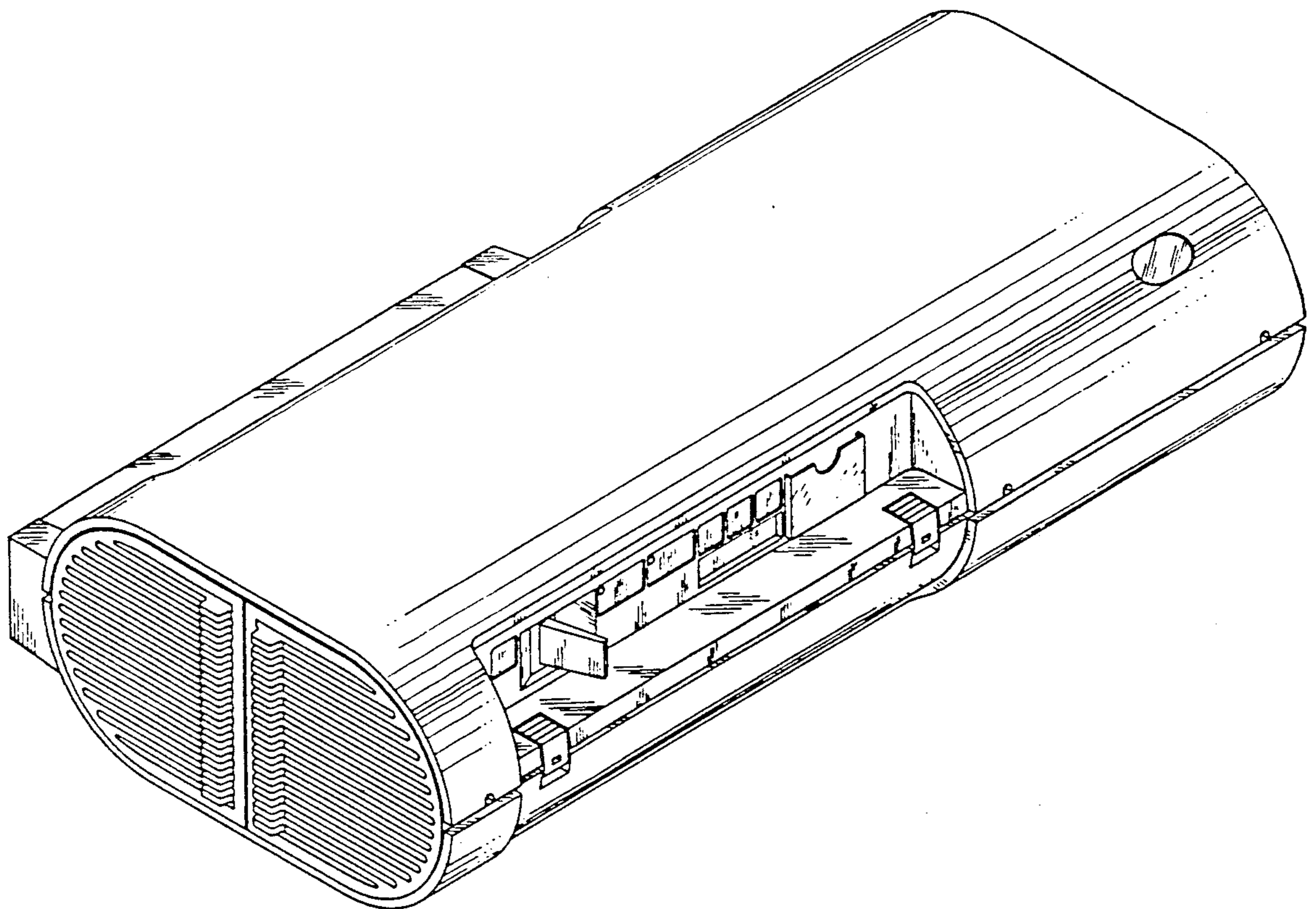
[52] U.S. Cl. D14/107; D13/184

[58] Field of Search 361/332, 335-339,
361/343-345, 356-363, 380, 390-395;
D14/107; D13/113, 184

[56] References Cited

U.S. PATENT DOCUMENTS

D. 308,864 6/1990 Takai D14/107
D. 311,740 10/1990 Wagner D14/107



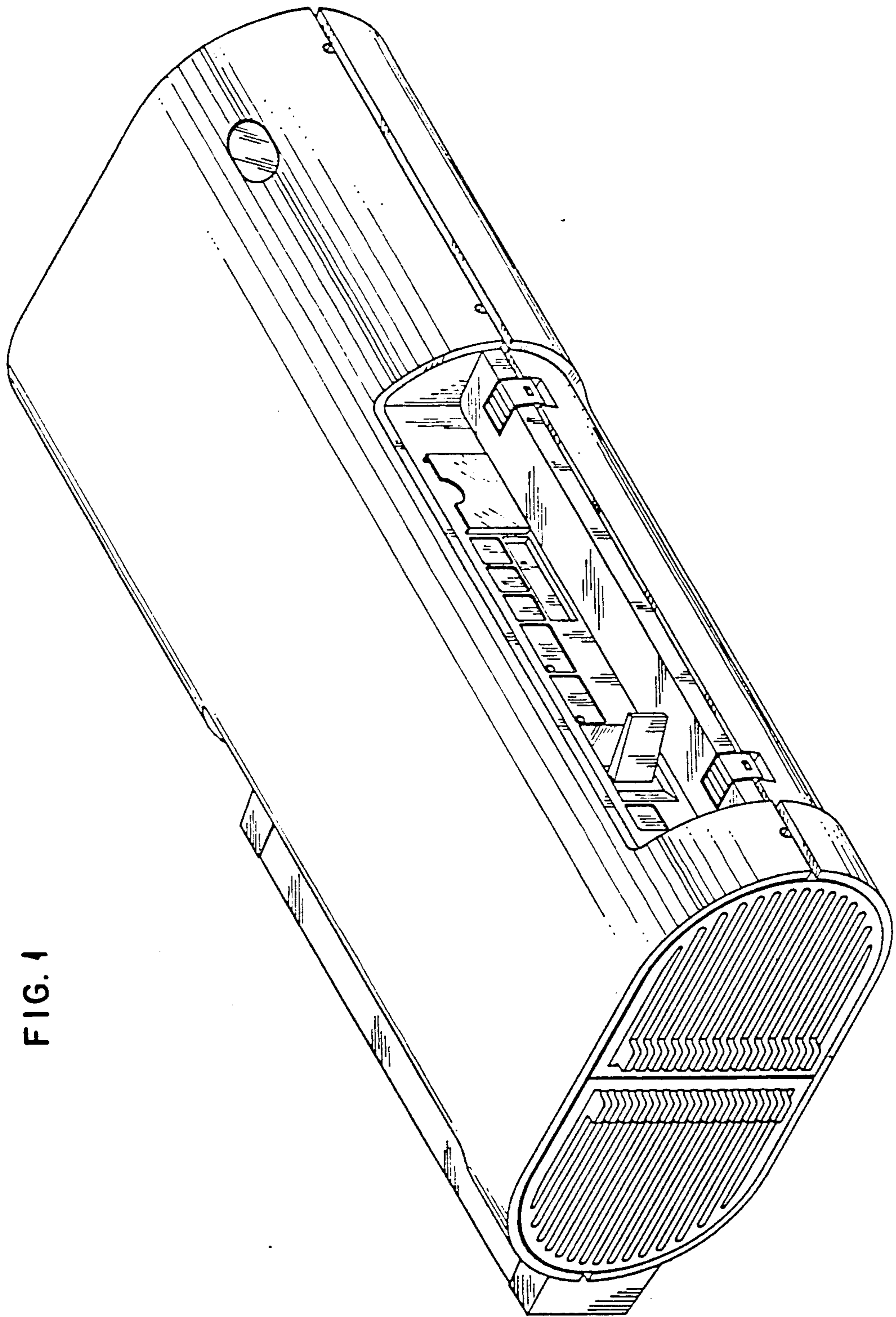


FIG. 1

FIG. 2

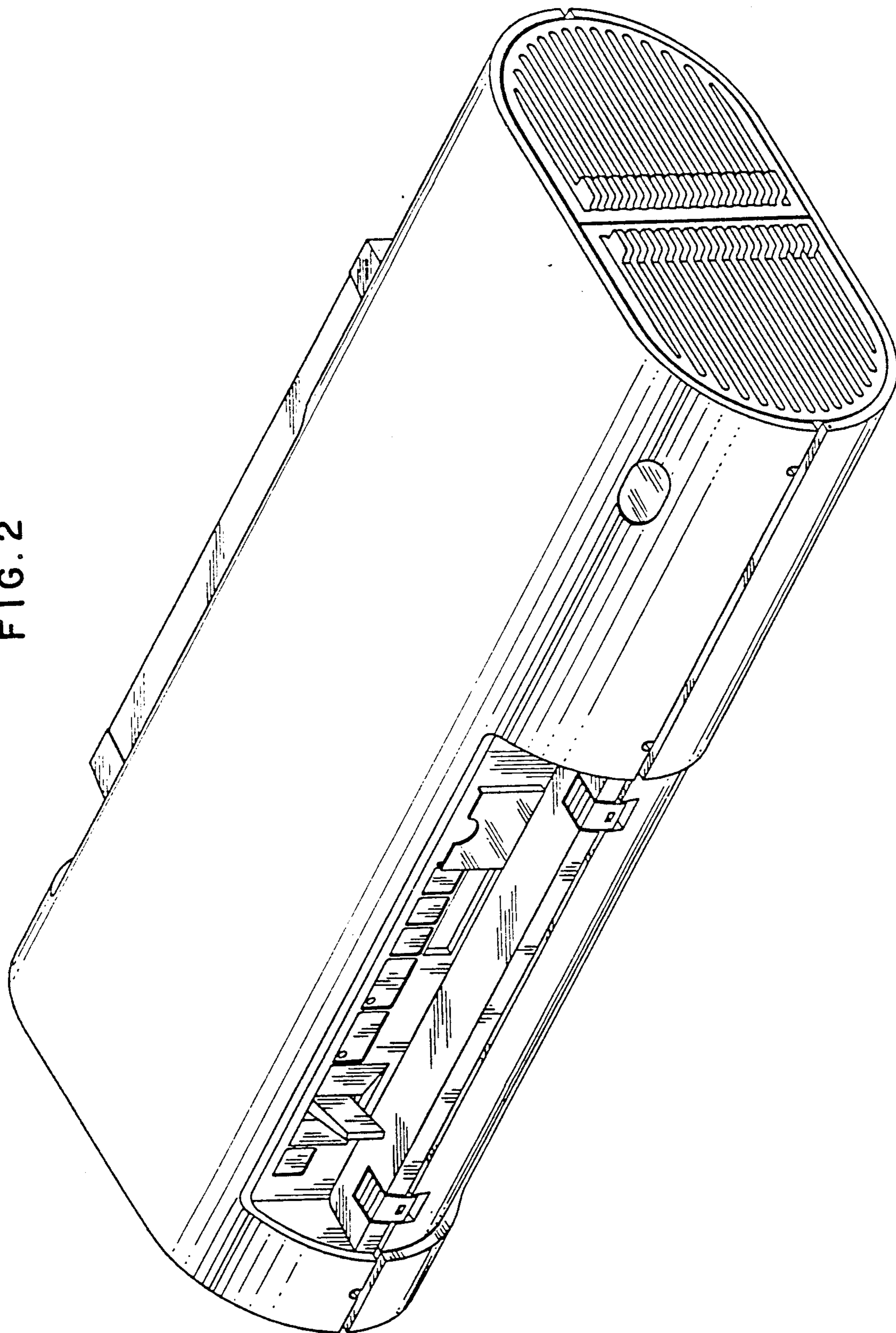
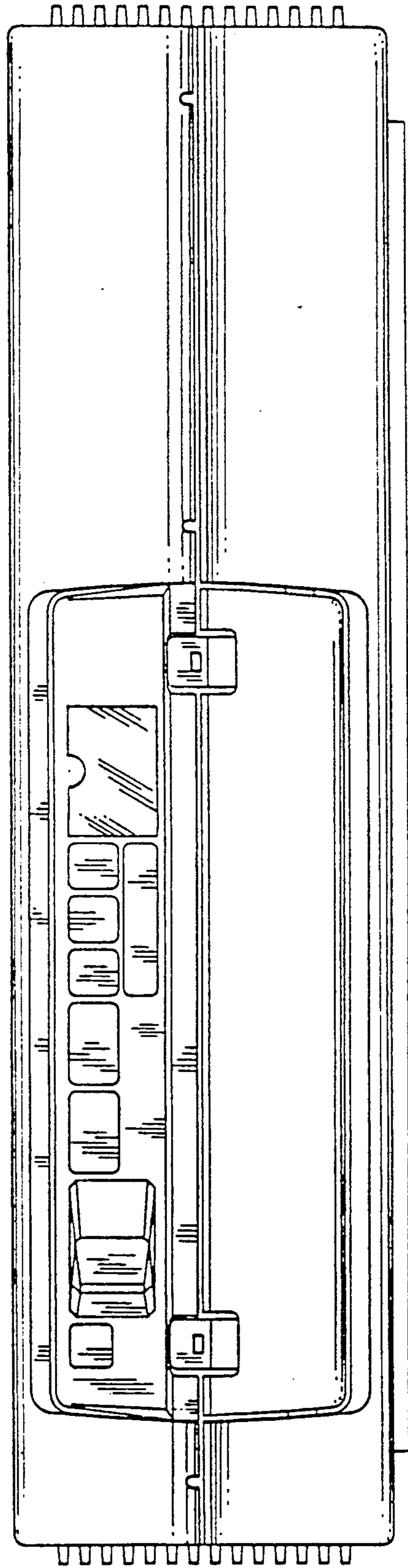


FIG. 3



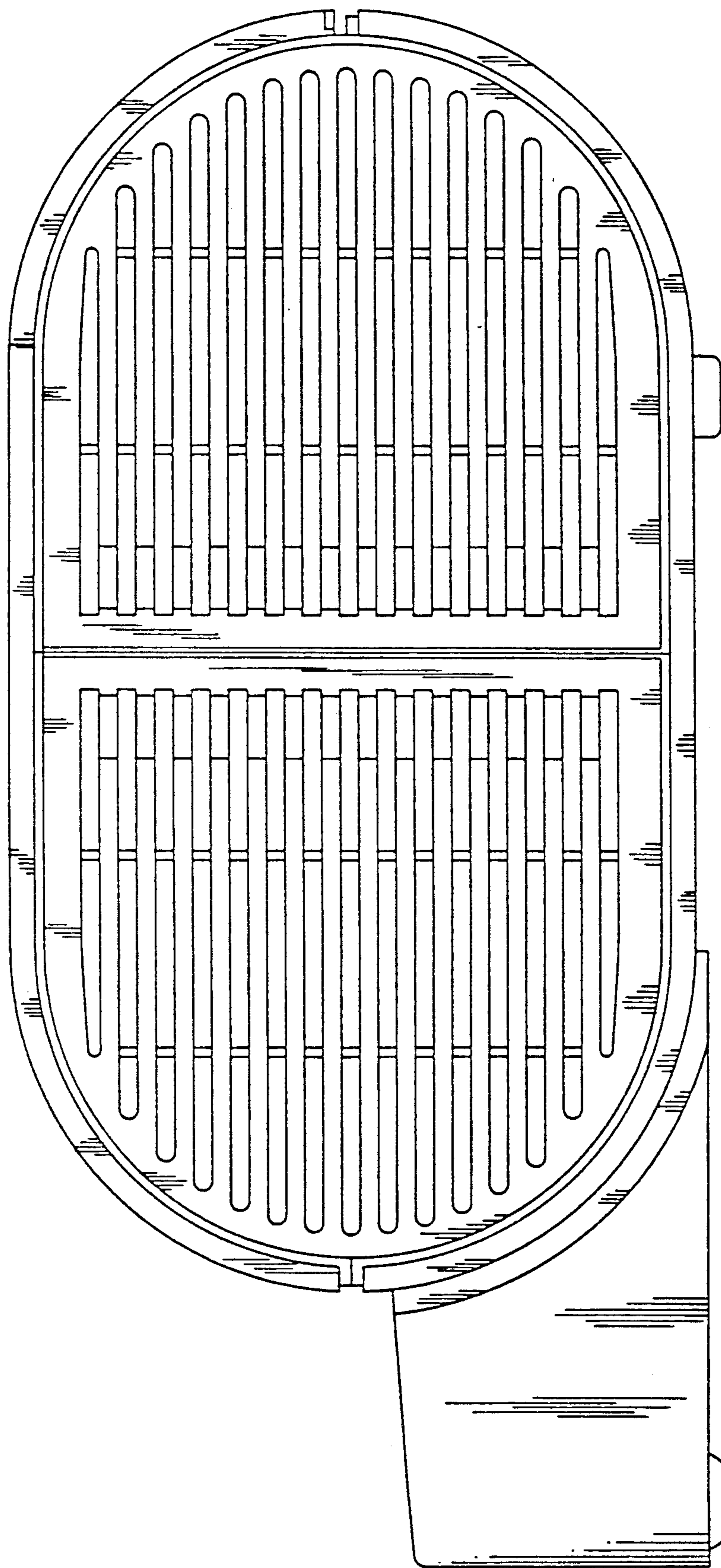


FIG. 4

FIG. 5

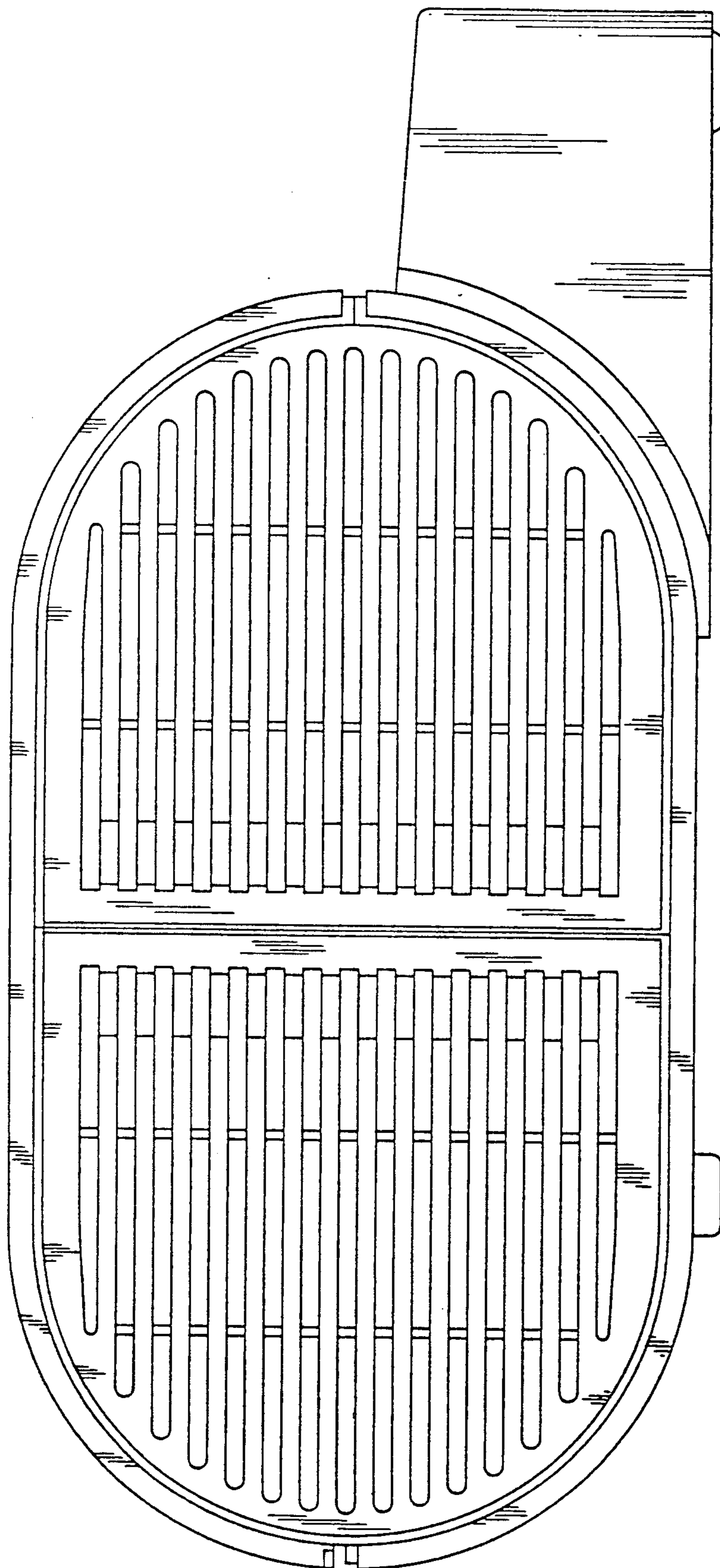
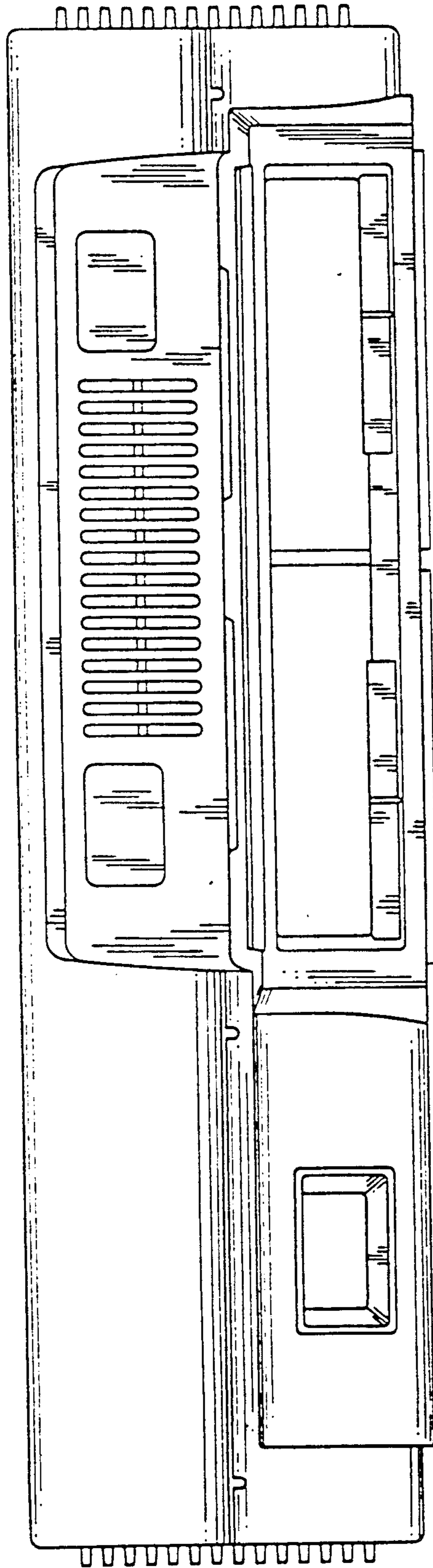


FIG. 6



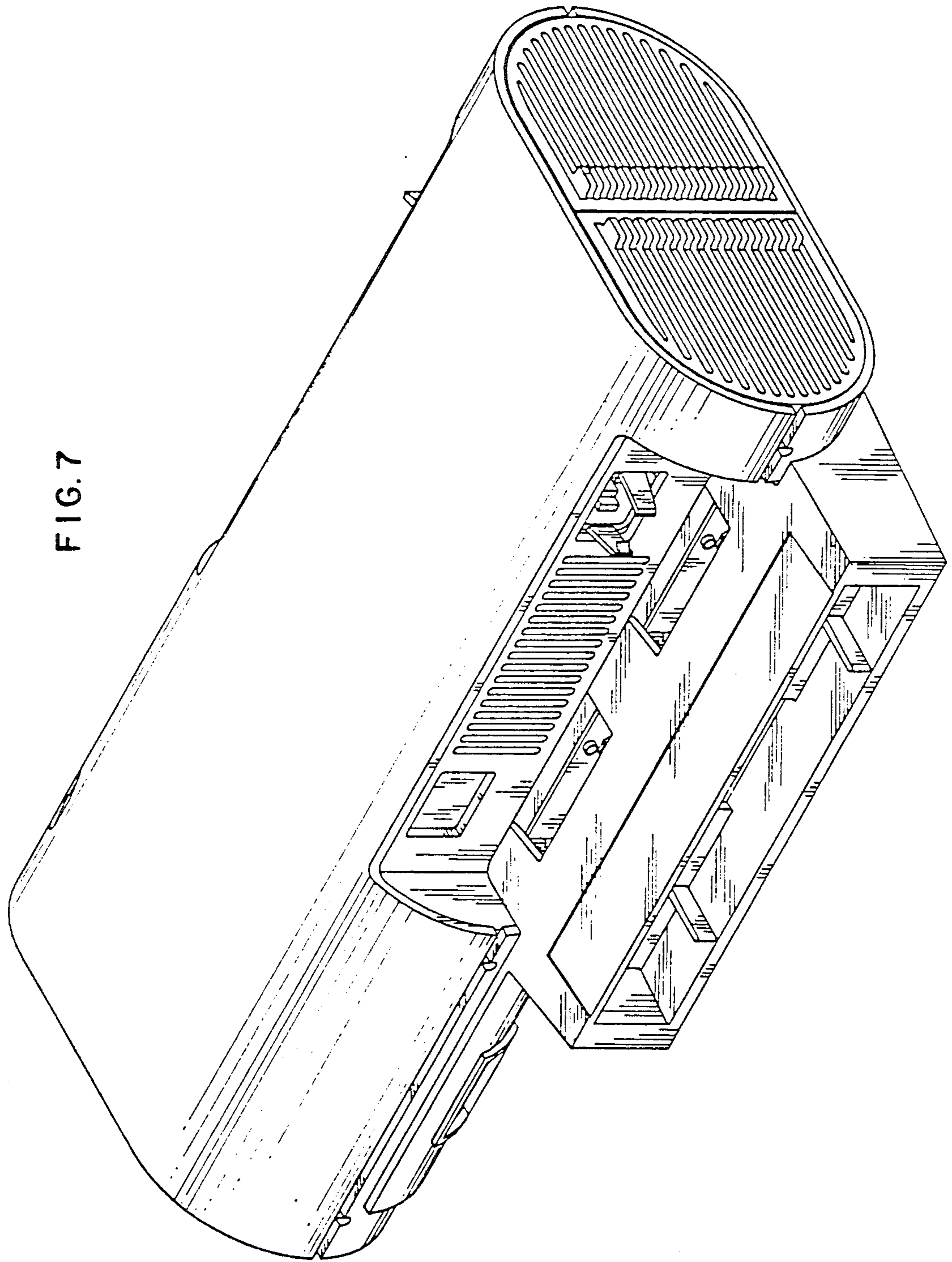


FIG. 7

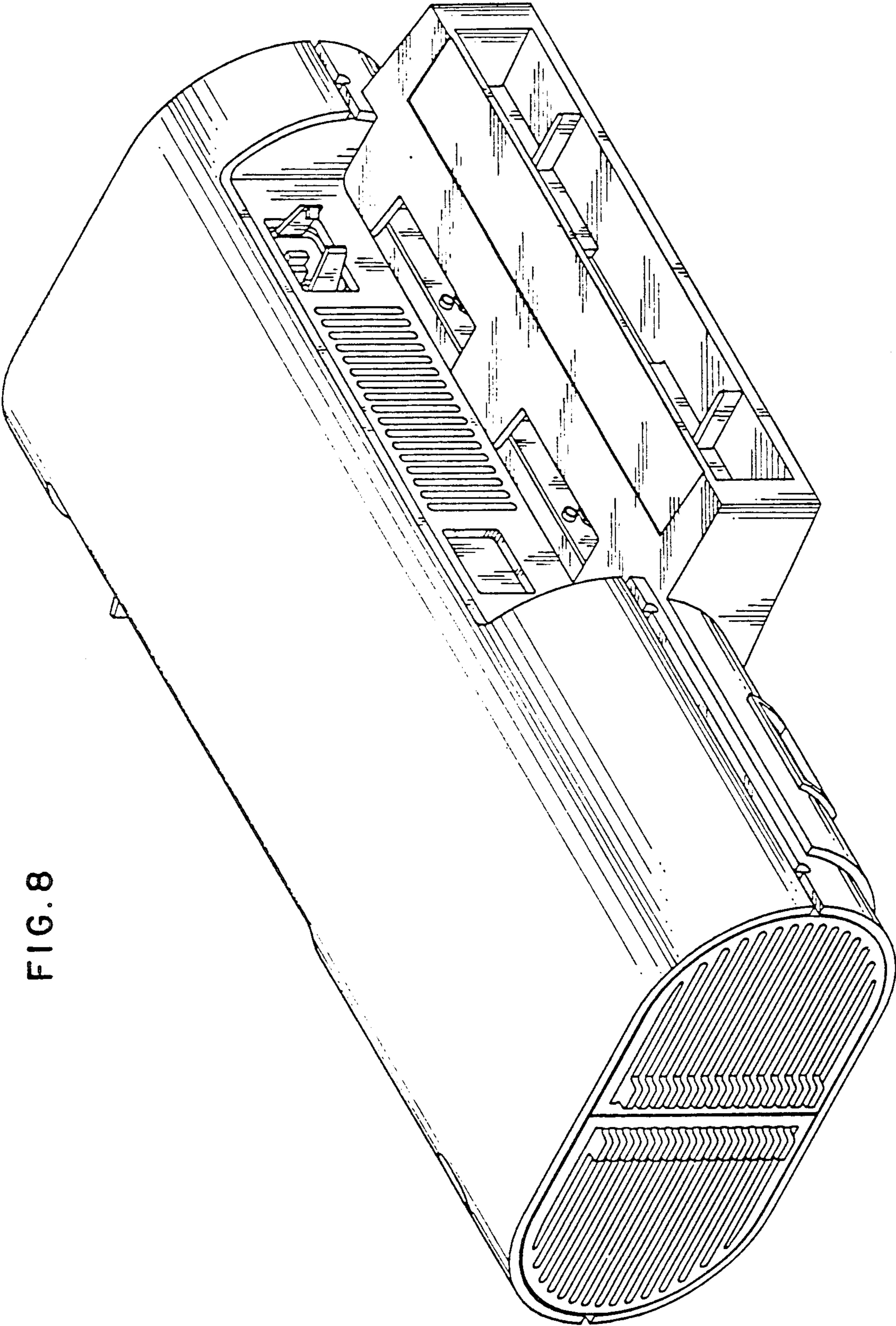


FIG. 8

FIG. 9

