



US00D327255S

# United States Patent [19]

[11] Patent Number: **Des. 327,255**

D'Aleo et al.

[45] Date of Patent: **\*\* Jun. 23, 1992**

[54] **WALL-MOUNTED LIGHTING CONTROL PANEL**

[75] Inventors: **Michael D'Aleo, Erwinna: Denis Darragh, Allentown; Jonathan Ference, Riegelsville; David Luchaco, Macungie; Michael J. Rowen, Center Valley; Joel S. Spira, Coopersburg, all of Pa.**

[73] Assignee: **Lutron Electronics Co., Inc., Coopersburg, Pa.**

[\*\*] Term: **14 Years**

[21] Appl. No.: **688,788**

[22] Filed: **Mar. 19, 1991**

### Related U.S. Application Data

[62] Division of Ser. No. 251,712, Sep. 30, 1988, Pat. No. Des. 319,429.

[52] U.S. Cl. .... **D13/162**

[58] Field of Search ..... **D13/158, 162-163, D13/164, 171, 173, 177, 160; 364/900; 340/700, 706, 815.01, 720; 361/331-332, 334, 346, 356-357, 380, 390**

### [56] References Cited

#### U.S. PATENT DOCUMENTS

D. 222,473	10/1971	Zecca	.....	D13/160 X
D. 275,104	8/1984	Kuschewski	.....	D13/162 X
D. 285,066	12/1986	Liss et al.	.....	D13/162 X
D. 287,242	12/1986	Liss et al.	.....	D13/162 X

3,763,394	9/1971	Blonchard	.....	315/294
3,974,472	8/1976	Gould, Jr.	.....	340/700
4,468,718	8/1984	Main	.....	D13/164 X
4,575,660	3/1986	Zaharchuk	.....	315/295
4,772,825	9/1988	Tabor et al.	.....	315/313 X

### OTHER PUBLICATIONS

Electronics Diversified Inc.—Omega Console Brochure, 1988.

Lutron Electronics Co.—Aurora Brochure P/N362-165 (May 1987).

Lutron Electronics Co.—Grafik Eye Brochure P/N360-209 (Jun. 1988).

*Primary Examiner*—Brian N. Vinson

*Attorney, Agent, or Firm*—Seidel, Gonda, Lavorgna & Monaco

### [57] CLAIM

The ornamental design for a wall-mounted lighting control panel, as shown and described.

### DESCRIPTION

FIG. 1 is a perspective view of a wall-mounted control panel showing our new design;

FIG. 2 is a front elevational view thereof;

FIG. 3 is a rear elevational view thereof;

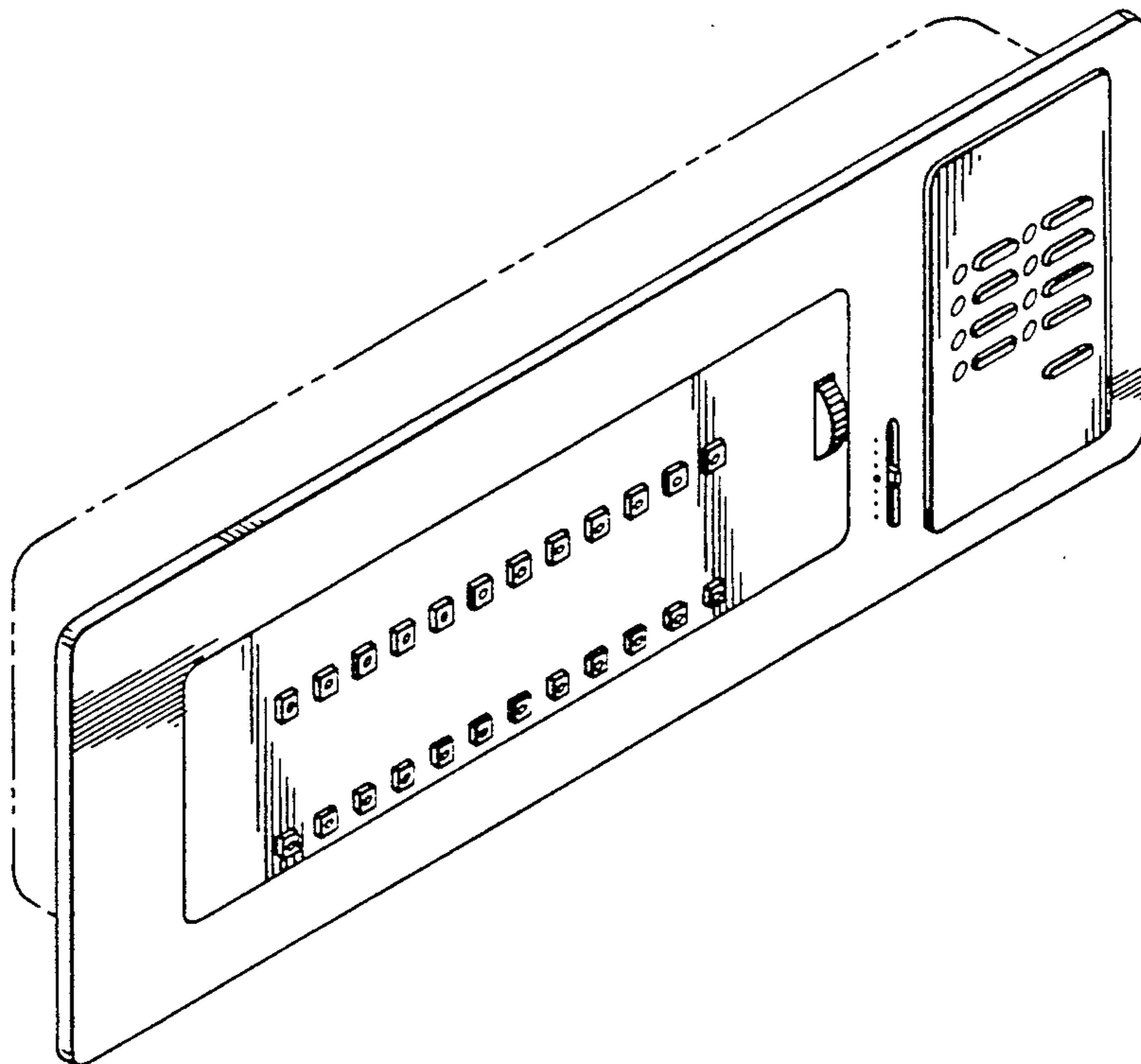
FIG. 4 is a top plan view thereof;

FIG. 5 is a bottom plan view thereof;

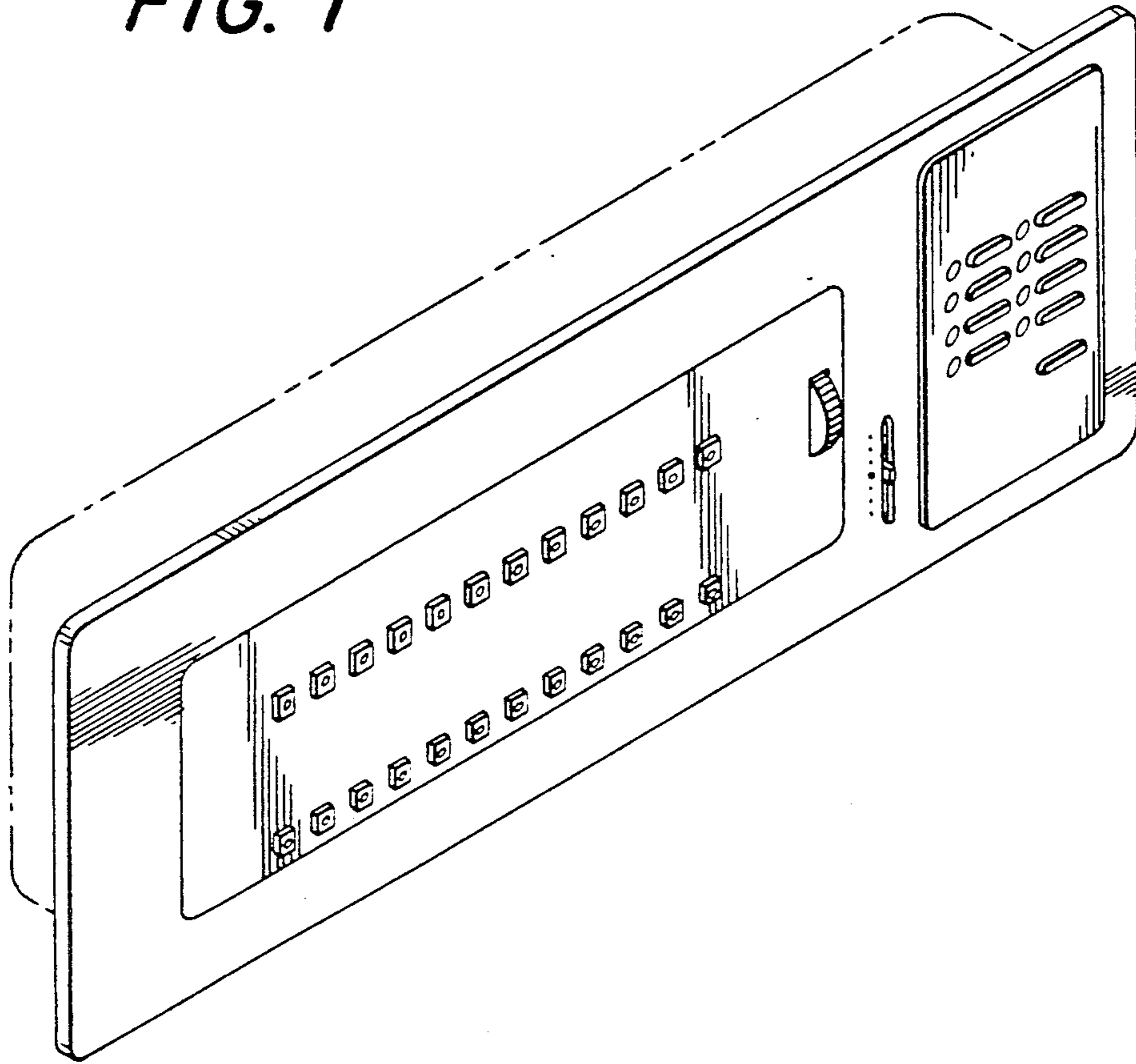
FIG. 6 is a right side elevational view thereof; and,

FIG. 7 is a left side elevational view thereof.

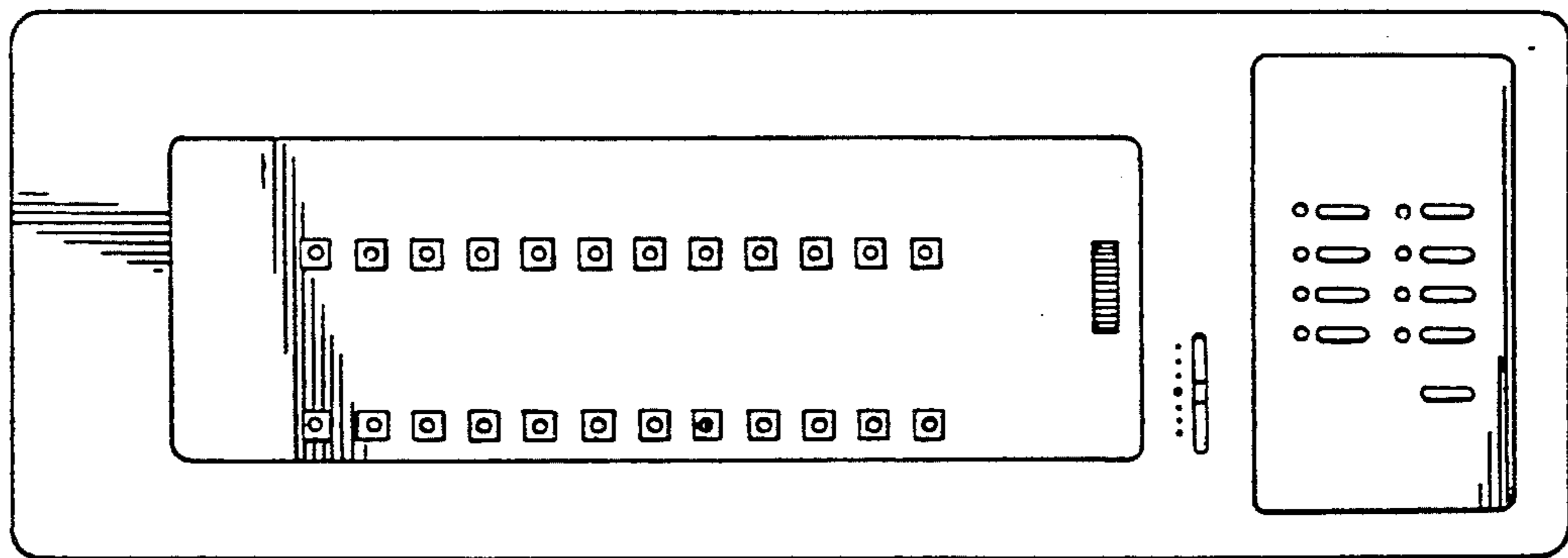
The broken-line depiction of a portion of the housing shown in the views is for illustrative purposes only and forms no part of the claimed design.



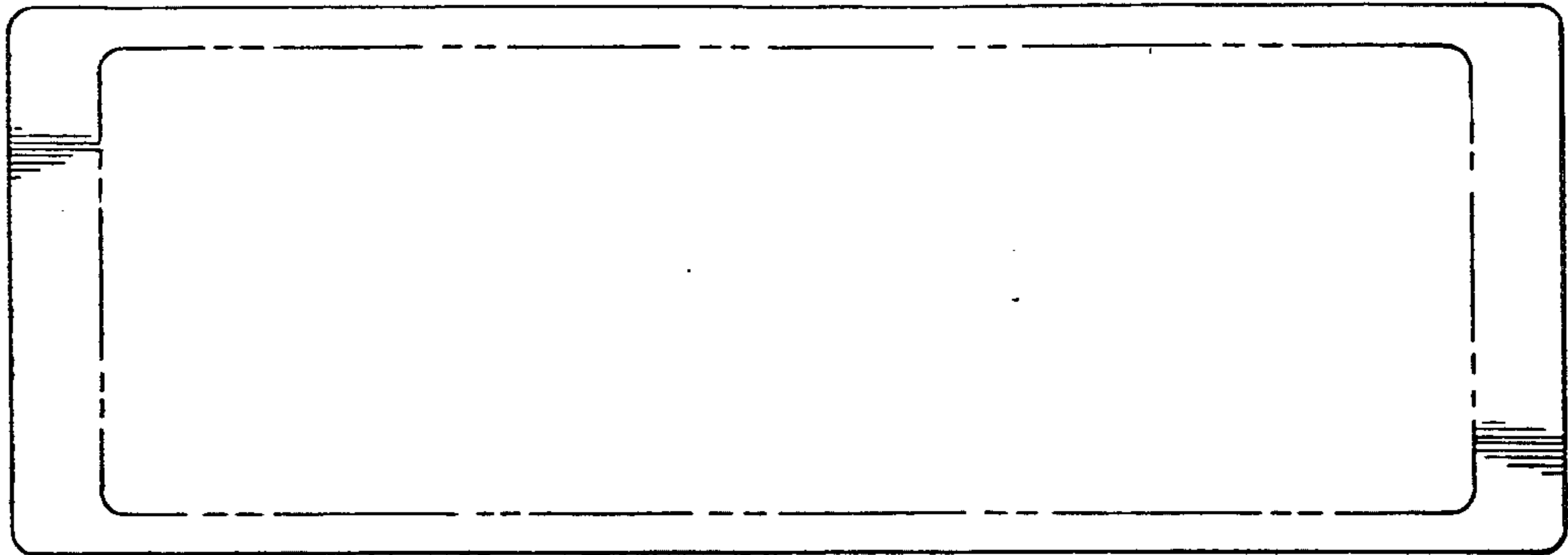
*FIG. 1*



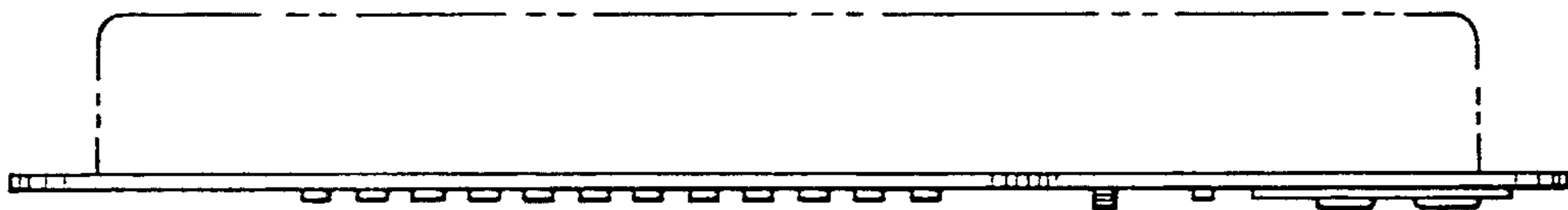
*FIG. 2*



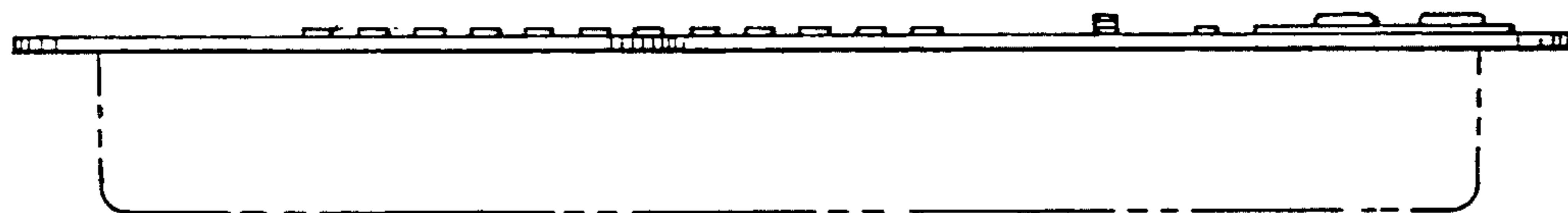
*FIG. 3*



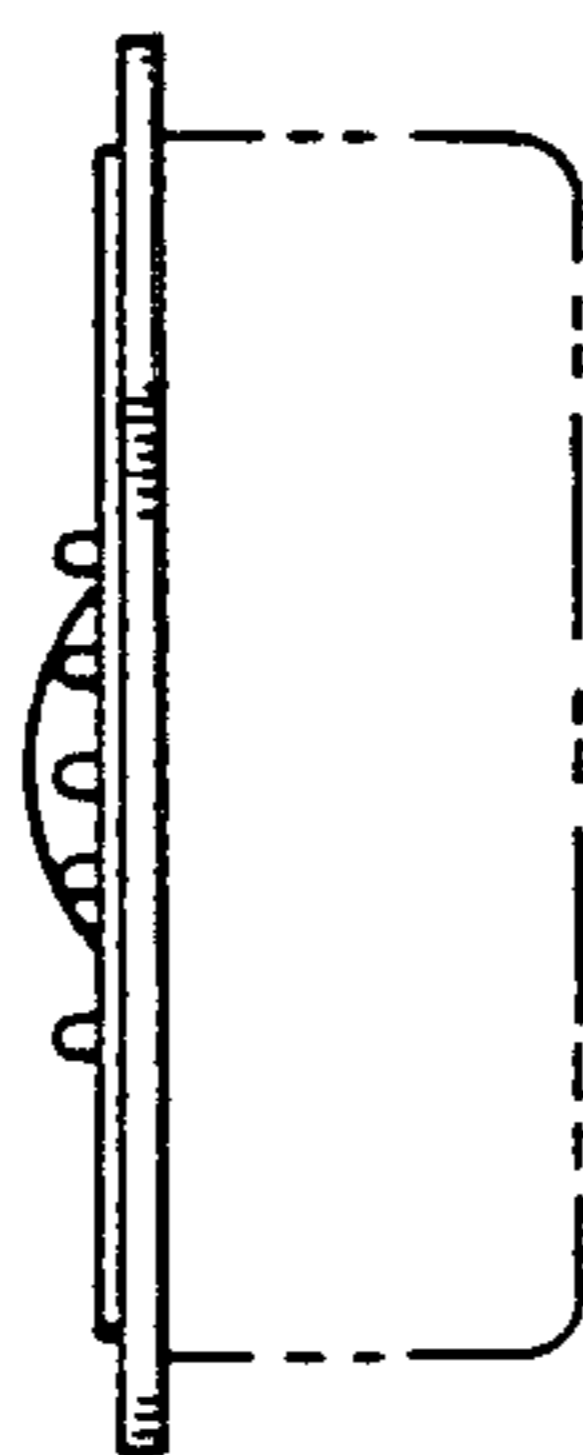
*FIG. 4*



*FIG. 5*



*FIG. 6*



*FIG. 7*

