



US00D327254S

United States Patent [19]

[11] Patent Number: **Des. 327,254**

Seay et al.

[45] Date of Patent: **** Jun. 23, 1992**

[54] POSITION ACTUATED CIRCUIT BREAKER

[76] Inventors: **Michael Seay**, 402 S. Thompson, Springdale, Ark. 72764; **Connie R. Kidd**, Rte. 3, P.O. Box 6116, Springdale, Ark. 72766

[**] Term: **14 Years**

[21] Appl. No.: **574,253**

[22] Filed: **Aug. 29, 1990**

[52] U.S. Cl. **D13/60; D13/158**

[58] Field of Search **D13/158, 160, 178; 200/61.47, 61.52, 52 A, 220**

[56] References Cited

U.S. PATENT DOCUMENTS

2,721,912	10/1955	Rutledge	200/61.47
3,348,792	10/1967	Porter	200/61.52
3,571,538	3/1971	Swanson	200/61.47
3,871,473	3/1975	Castonguay	200/61.52 X
4,390,759	6/1983	Seleur	200/52 A

FOREIGN PATENT DOCUMENTS

1200346	12/1959	France	200/61.52
1254261	1/1961	France	200/220

OTHER PUBLICATIONS

Relays 1, 2 and 3 on p. 133 of *Radio Shack Catalog* 1990.

Primary Examiner—Susan J. Lucas

Assistant Examiner—Joel Sincavage

Attorney, Agent, or Firm—Timmons & Kelly

[57] CLAIM

The ornamental design for a position actuated circuit breaker, as shown and described.

DESCRIPTION

FIG. 1 is a front and upper right perspective view of a position actuated circuit breaker showing our new design;

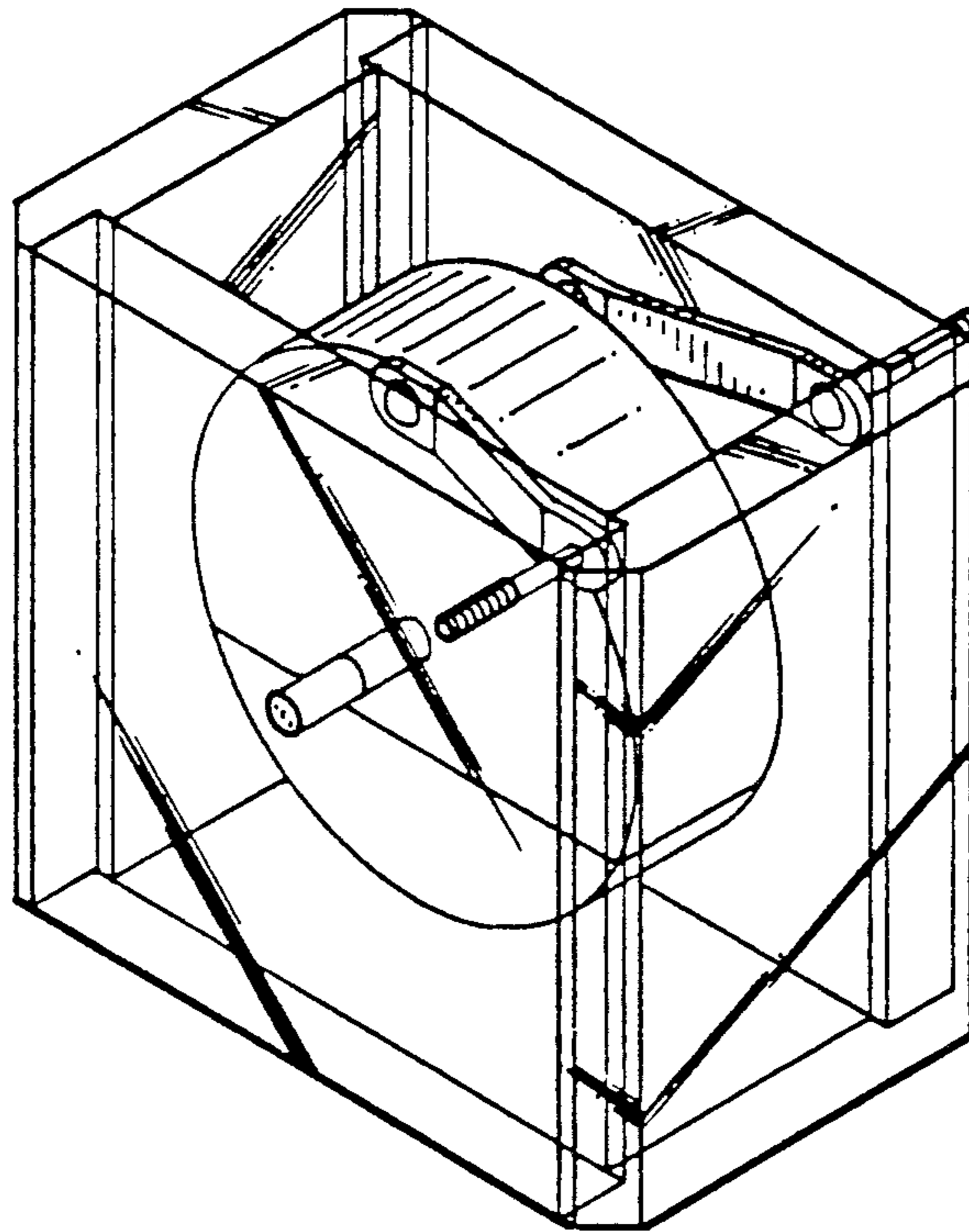
FIG. 2 is a left end elevational view thereof;

FIG. 3 is a front elevational view thereof, the rear elevational view thereof being a mirror image;

FIG. 4 is a right end elevational view;

FIG. 5 is a top plan view thereof; and,

FIG. 6 is a bottom plan view thereof.



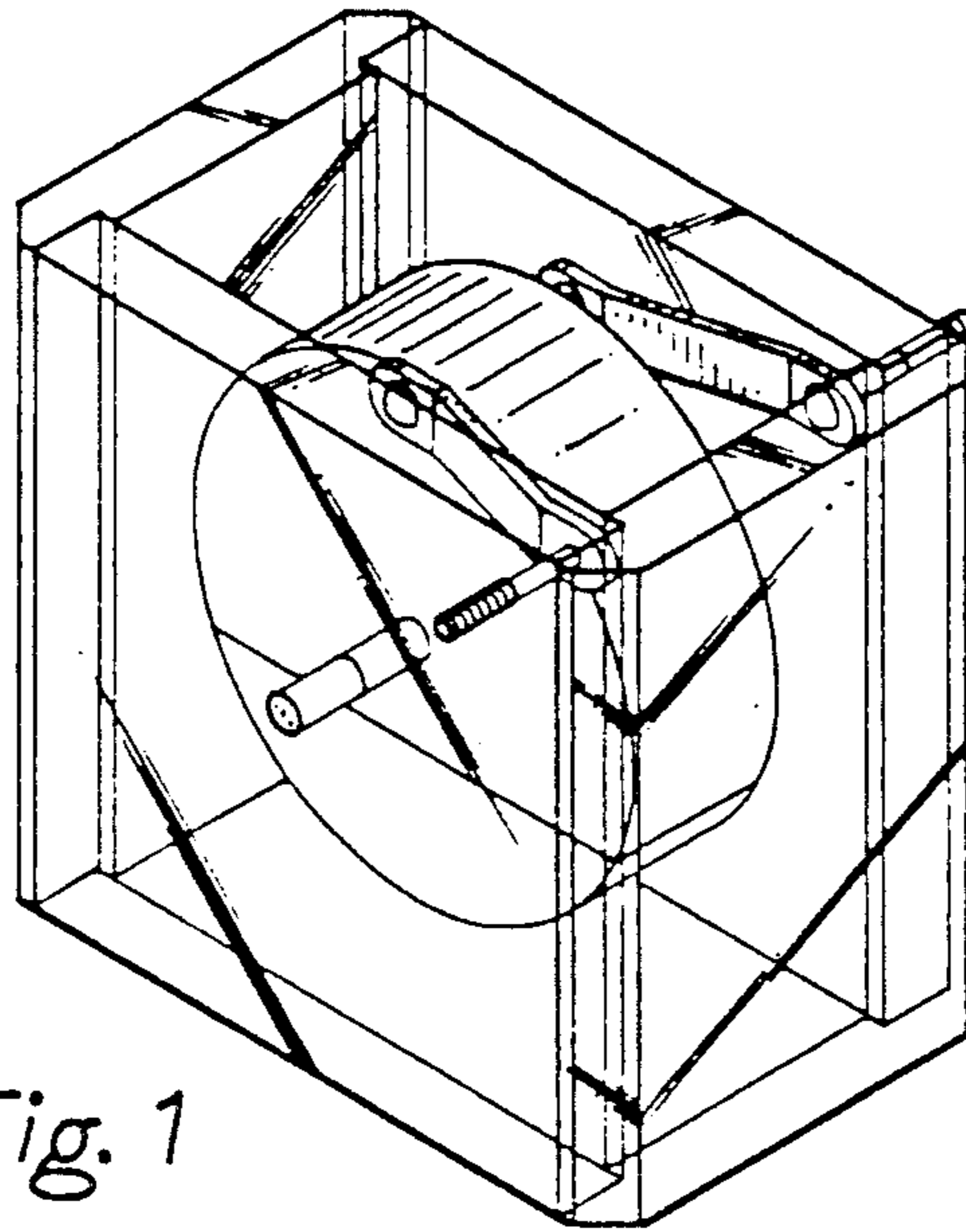


Fig. 1

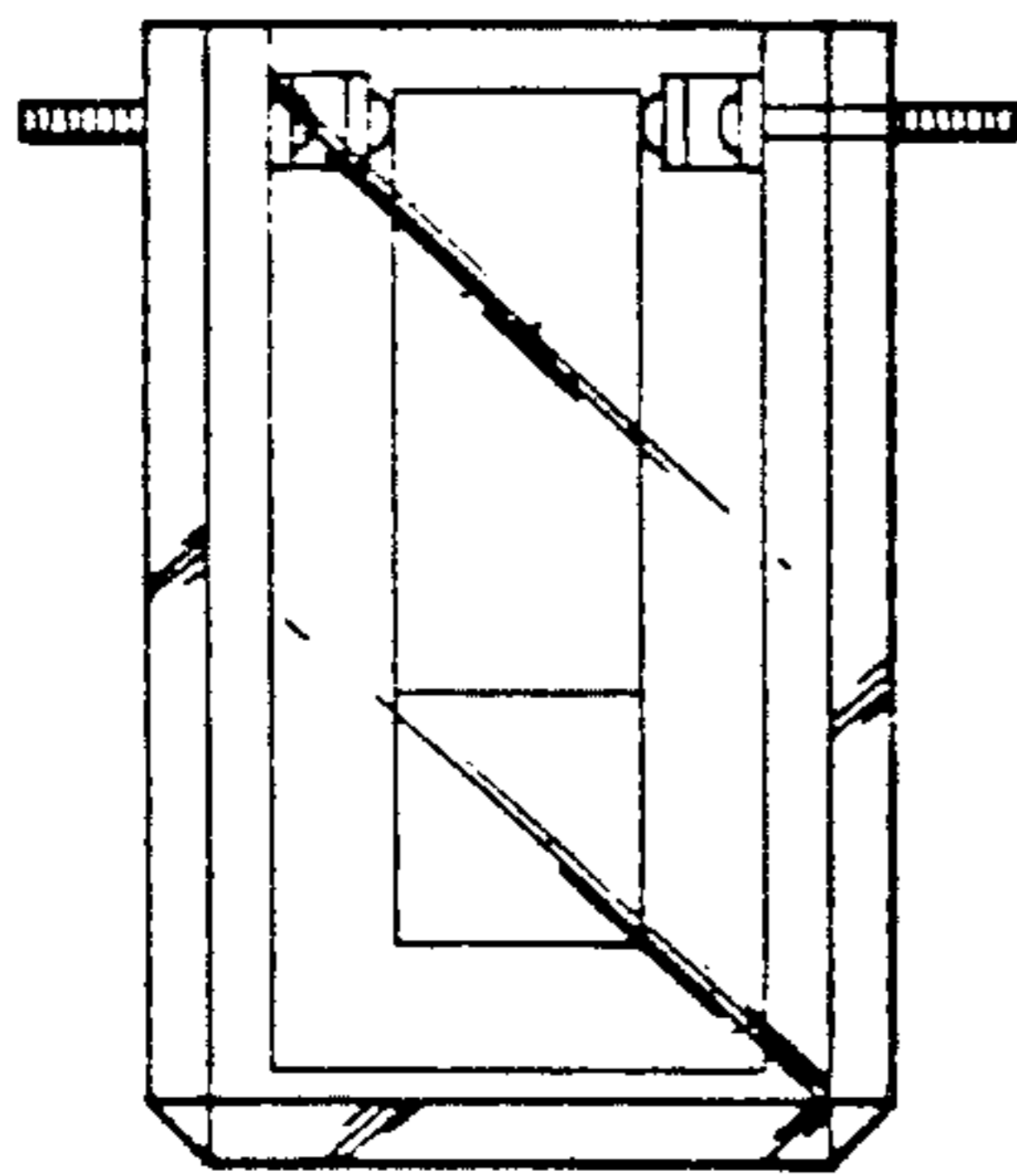


Fig. 2

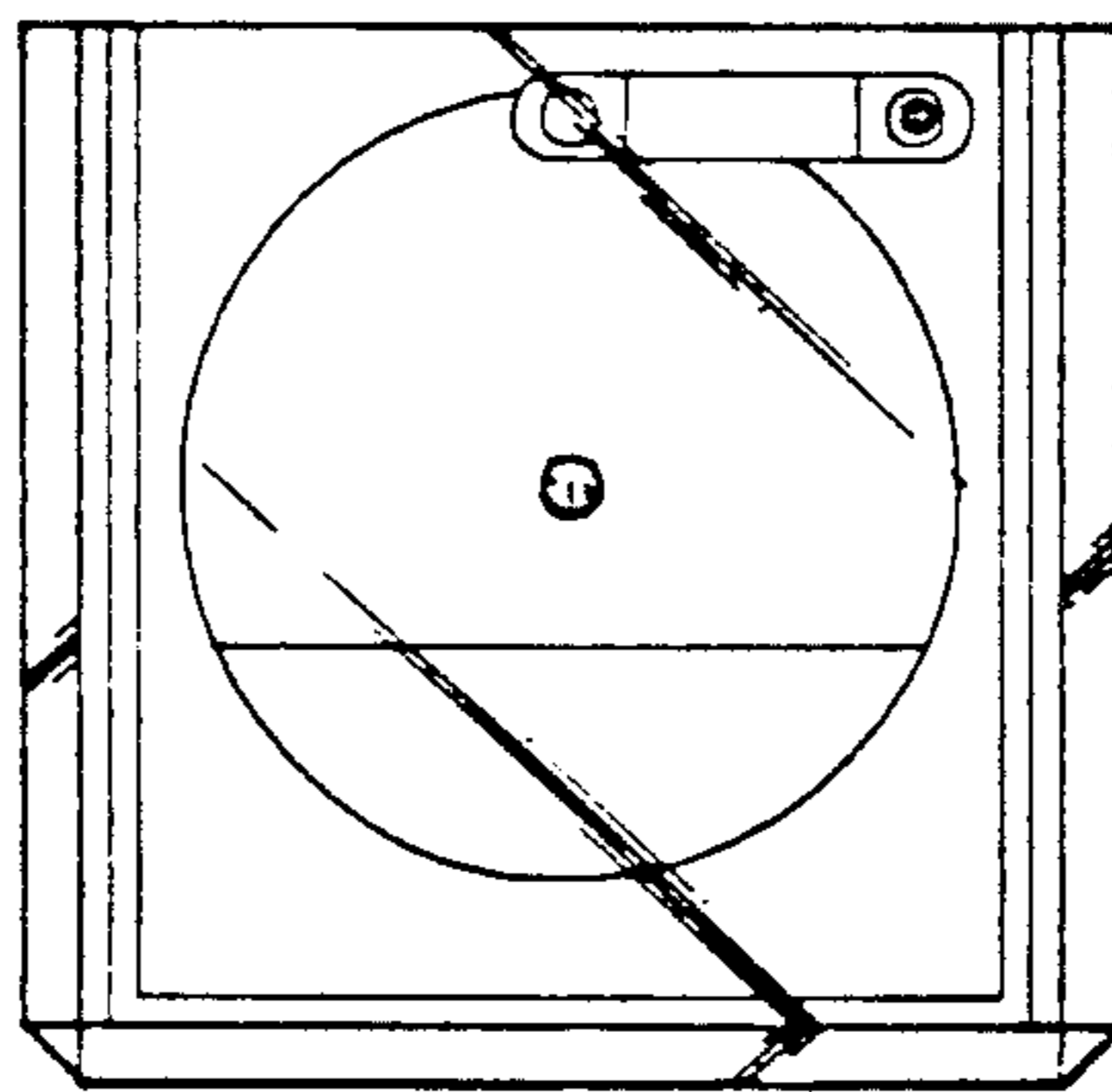


Fig. 3

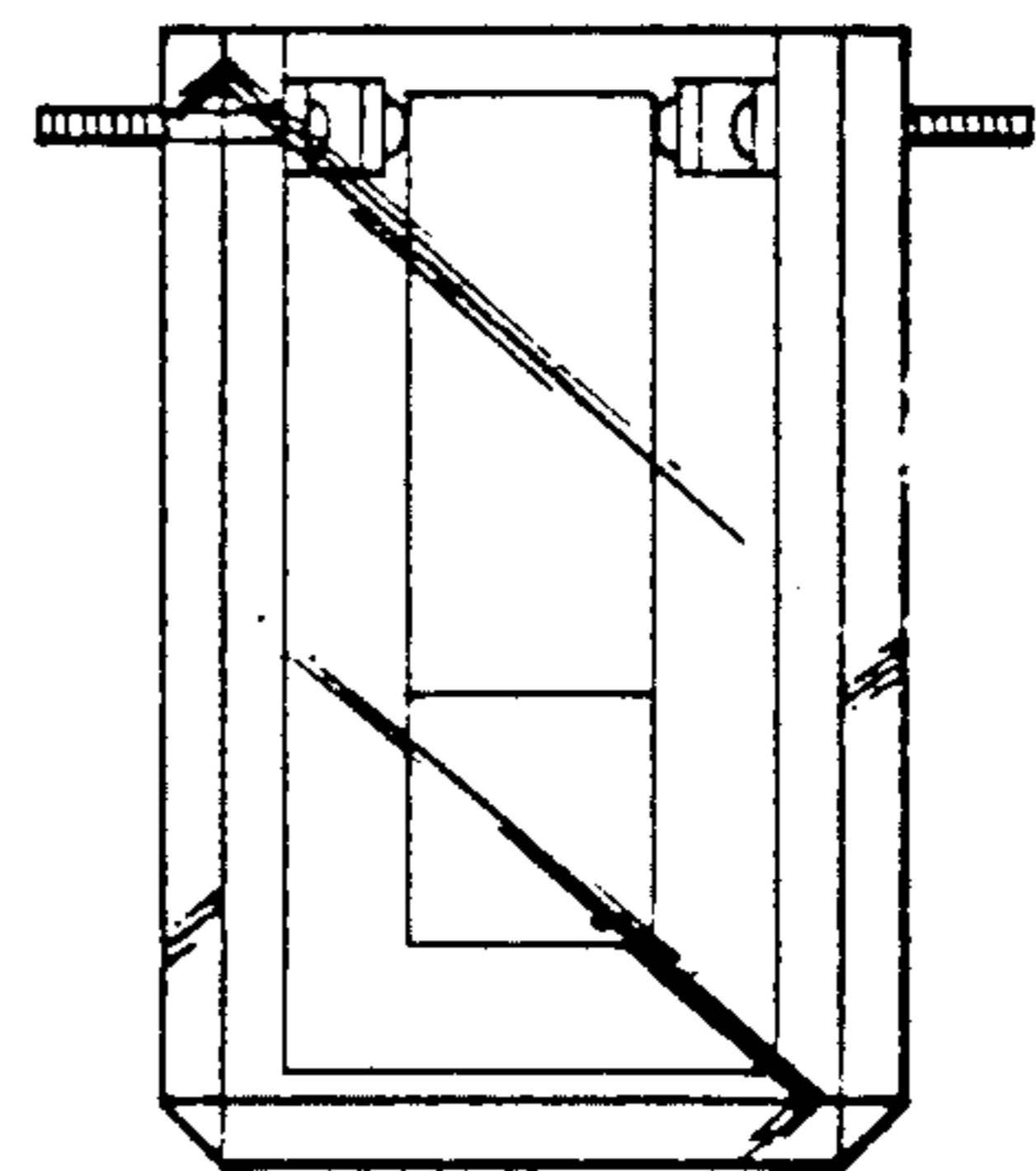


Fig. 4

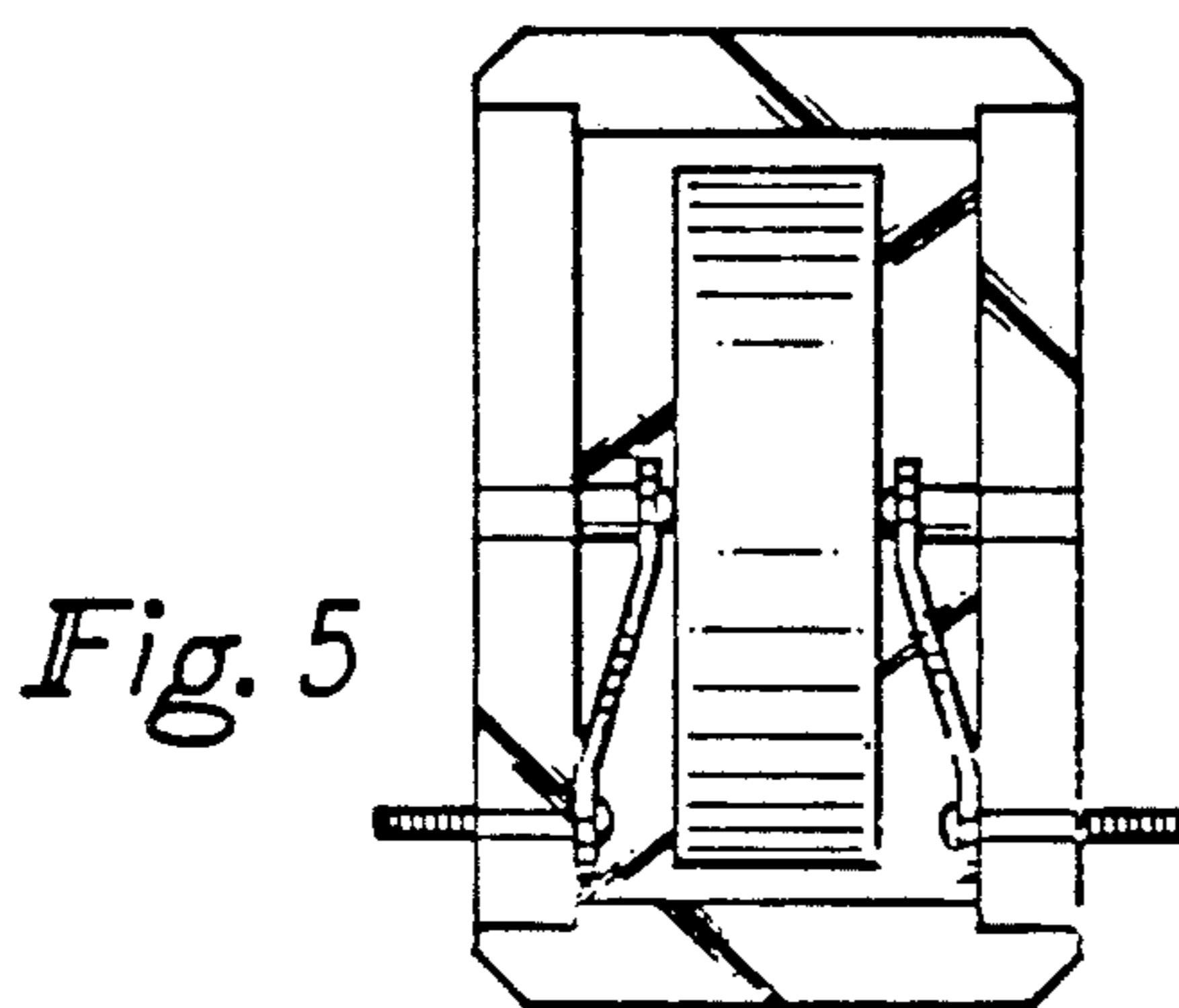


Fig. 5

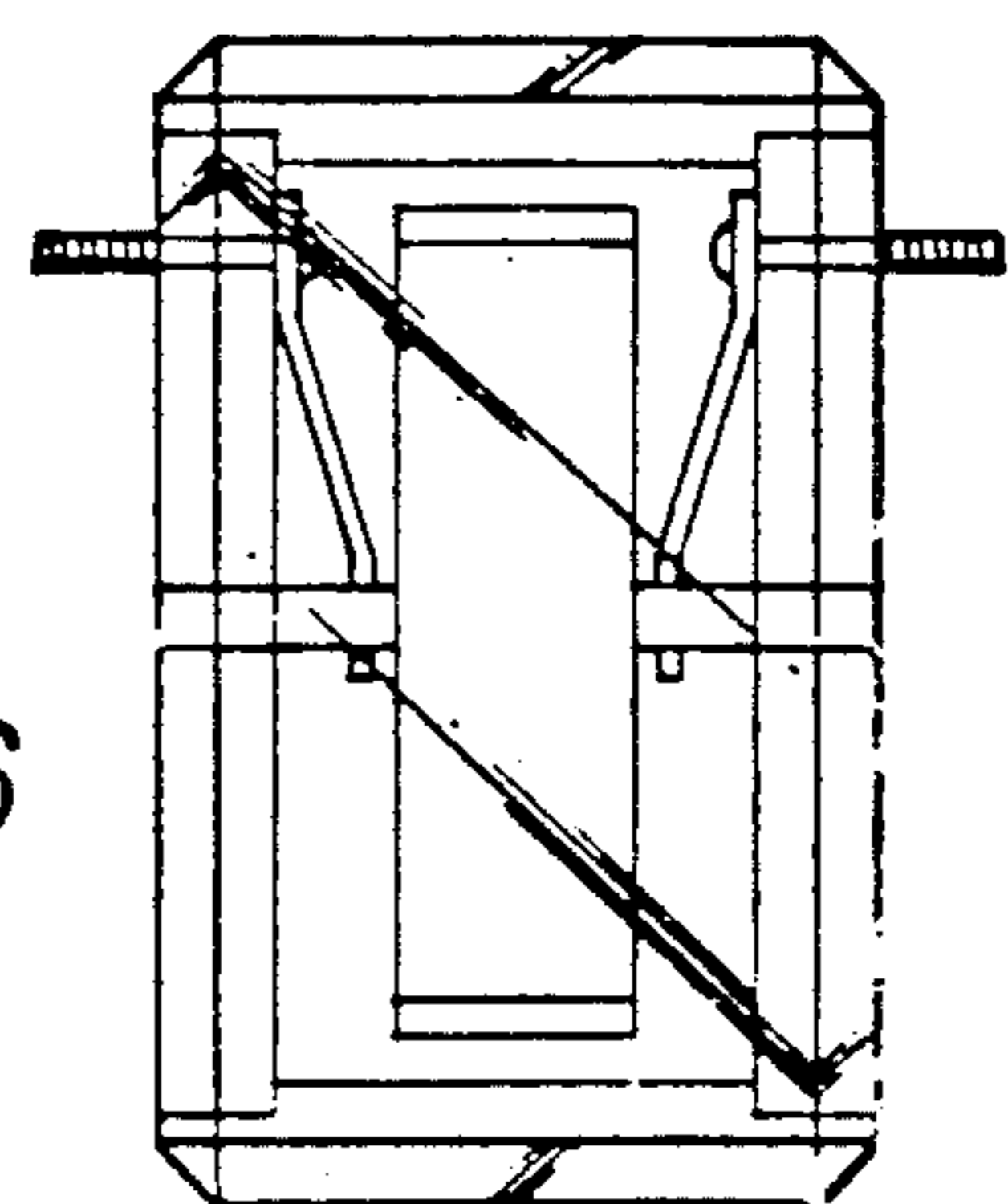


Fig. 6